

Diablo Systems Incorporated

Series 40 Disk Drive

Models 43 and 44

PARTS CATALOG

PREFACE

The content of this catalog represents the unit as manufactured at the time of publication.

Diablo Systems, Inc. reserves the right to make changes in its products without incurring obligations to incorporate any such changes in previously manufactured units.

All of the parts listed in this catalog are shown in the current form for ordering from the manufacturer, including those assemblies which are supplied as single parts. A circled item number indicates the item is considered to be NOT FIELD REPLACEABLE. Such items are included for completeness of illustration only.

Parts orders should be addressed to your Diablo Sales Representative.

Publication No. 81604 - First Edition

Printed in the U.S.A.



24500 Industrial Blvd.
Hayward, California 94545
Phone: (415) 783-3910

Diablo Systems Incorporated

A Xerox Company

ADDEND A

PAGE 1 OF 1

2/76
DATE

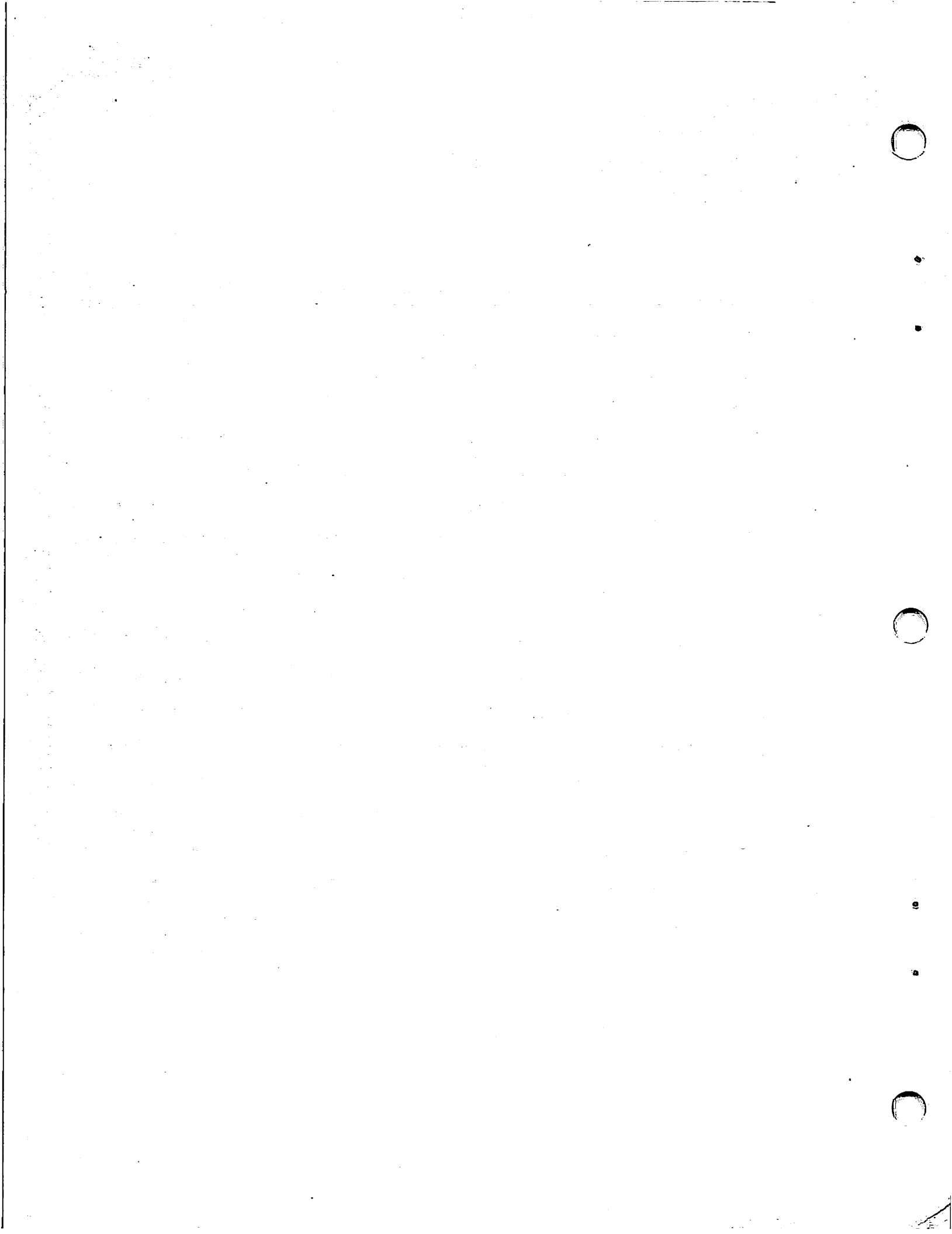
ADDEND A

SERIES 40 PARTS CATALOG - FIRST EDITION PUBLICATION # 81604 (1/76) REV. A

PUBLICATION BEING REVISED **SERIES 40 PARTS CATALOG - FIRST EDITION PUBLICATION #81604 (1/76) REV. A**

PLEASE ENTER THE FOLLOWING REVISIONS AND/OR CORRECTIONS IN YOUR COPY OF THIS MANUAL:

PAGE	WAS		CHANGE TO	
5-5	1	16131 Retainer, Cartridge	1	16841-01 Retainer, Cartridge
5-9		16272-03 R/W Head Assy, Upper, 100 tpi		16272-03 R/W Head Assy, Lower, 100 tpi
		16272-04 R/W Head Assy, Lower, 100 tpi		16272-04 R/W Head Assy, Upper, 100 tpi
		16781-01 R/W Head Assy, Upper, 200 tpi		16781-01 R/W Head Assy, Lower, 200 tpi
		16781-02 R/W Head Assy, Lower, 200 tpi		16781-02 R/W Head Assy, Upper, 200 tpi
6-1	29	10532 Switch Cap	Delete this item.	
6-17	NOTE: 11404-00 100 tpi		NOTE: 11407-00 100 tpi	
7-1	6	10524-11 Connector, Mate, 14-Pin	6	10524-11 Connector, Male, 14-Pin
8-1	10	16290-02 Latch Interlock, Right	17	16290-02 Latch Interlock, Left
	17	10290-01 Latch Interlock, Left	10	16290-01 Latch, Interlock, Right
9-1	3	16541-01 Front Panel, Deep Charcoal	3	16541-01 Front Panel, Deep Charcoal
				16541-02 Front Panel, Gray
				16541-03 Front Panel, Royal Blue
	26	10596-00 Socket, 16-Pin	26	10596-00 Socket, 14-Pin
9-2	47	15035-10 Wire Clip, Nylon	47	10535-10 Wire Clip, Nylon
10-1	8	70166-16 Hex Nut, 1/4 - 20	8	70166-13 Hex Nut, 1/4 - 20



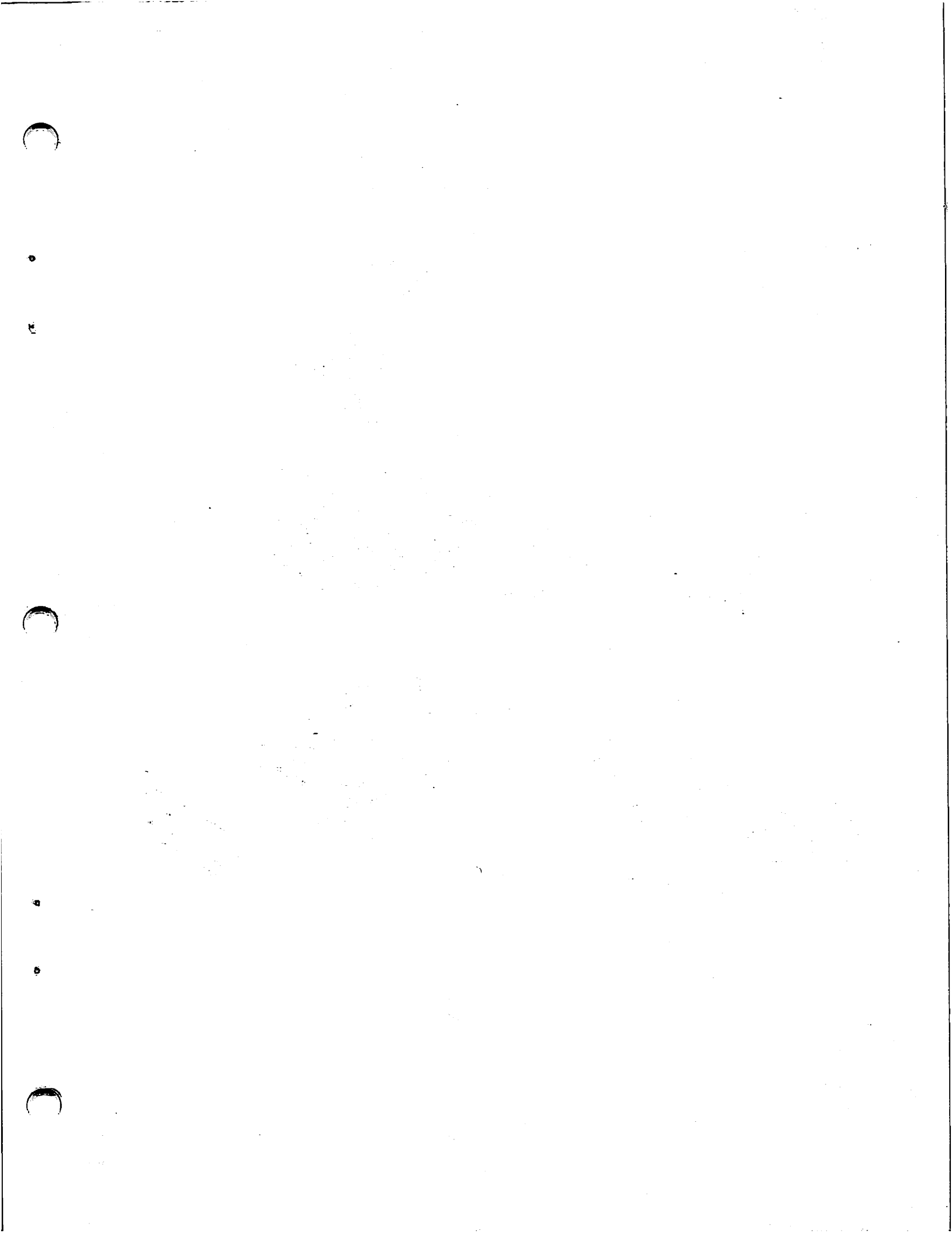
PARTS CATALOG

SERIES 40 DISK DRIVE

Table of Contents

SECTION I.1.	MAJOR SUBASSEMBLY BREAKDOWN	page 1-1
SECTION II.1.	REAR COVER, AIR FILTER, AIR FILTER HOUSING ASSEMBLIES	page 2-1
SECTION III.1.	READ/WRITE BOX ASSEMBLY	page 3-1
	2. READ/WRITE PCB ASSEMBLY #11486-XX	page 3-2
SECTION IV.1.	BOWL ASSEMBLY	page 4-1
SECTION V.1.	BASE ASSEMBLY (TOP)	page 5-1
	2. CARTRIDGE RETAINER ASSEMBLIES	page 5-5
	3. BOWL ASSEMBLY (BOTTOM)	page 5-7
	4. HEAD POSITIONER/SPINDLE ASSEMBLIES	page 5-9
	5. HEAD POSITIONER ASSEMBLY	page 5-11
SECTION VI.1.	CARD CAGE/HEATSINK ASSEMBLIES	page 6-1
	2. MOTHERBOARD/HARNESS ASSEMBLIES	page 6-5
	3a. HS PCB ASSEMBLY #11631-XX	page 6-6
	3b. HS PCB ASSEMBLY #11980-XX	page 6-10
	4. AL1 PCB ASSEMBLY #11404-XX	page 6-14
	5. AL2 PCB ASSEMBLY #11407-XX	page 6-16
	6. SO PCB ASSEMBLY #11633-XX	page 6-18
	7. SR PCB ASSEMBLY #11411-XX	page 6-21
	8a. SL PCB ASSEMBLY #11471-XX (-00, -01)	page 6-24
	8b. SL PCB ASSEMBLY #11471-XX (-02, -03)	page 6-26
	9a. OR PCB ASSEMBLY #11414-XX	page 6-28
	9b. OR PCB ASSEMBLY #11873-XX	page 6-30
	10. SD PCB ASSEMBLY #11613-XX	page 6-32
	11. TC PCB ASSEMBLY #11537	page 6-34
SECTION VII.1.	SLIDE AND I/O MODULE ASSEMBLIES	page 7-1
	2a. RDR2 PCB ASSEMBLY #11645-XX	page 7-3
	2b. RDR2 PCB ASSEMBLY #11647-XX	page 7-4
	3a. VFO PCB ASSEMBLY #11675	page 7-6
	3b. VFO PCB ASSEMBLY #11517	page 7-8
	4a. D/CS PCB ASSEMBLY #11637-xx	page 7-10
	4b. VFC PCB ASSEMBLY #11519	page 7-11
	5a. VFI PCB ASSEMBLY #11989	page 7-12

5b. VFS PCB ASSEMBLY #11627	page 7-13
6. SC PCB ASSEMBLY #11459	page 7-14
7a. RDRI PCB ASSEMBLY #11643-XX	page 7-15
7b. RDRI PCB ASSEMBLY #11983-XX	page 7-16
SECTION VIII.1. PAN ASSEMBLY	page 8-1
2. BLOWER AND COVER ASSEMBLIES	page 8-3
SECTION IX.1. DOOR PANEL ASSEMBLY	page 9-1
SECTION X.1. SHIPPING CONTAINER AND MOUNTING ASSEMBLY	page 10-1



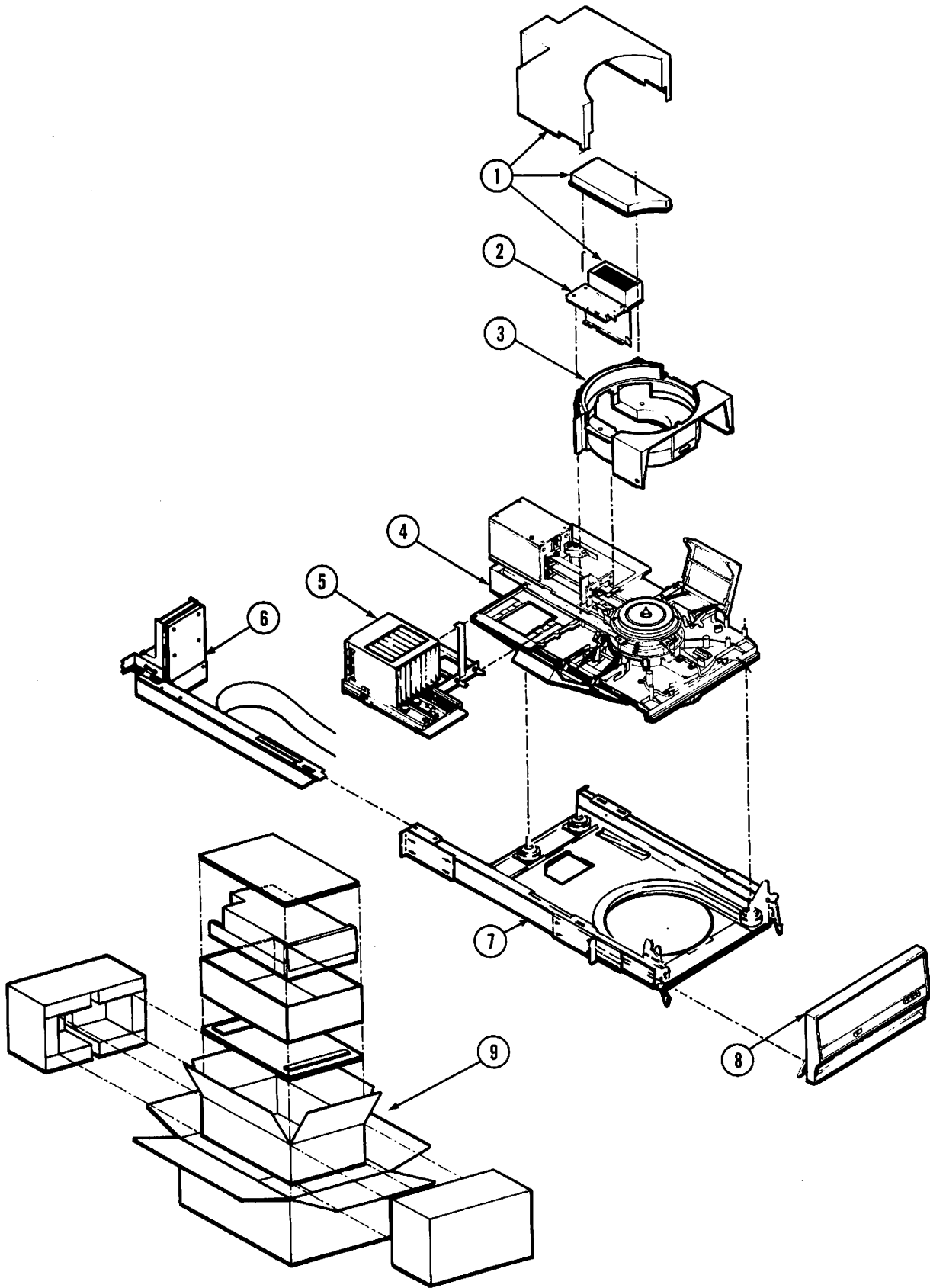


Figure 1-1
MAJOR SUBASSEMBLY
BREAKDOWN

SECTION I

MAJOR SUBASSEMBLY BREAKDOWN

<u>ITEM NO.</u>	<u>DESCRIPTION</u>
1	Rear Cover Filter and Filter Housing Assemblies, See Section II
2	Read/Write Box Assembly, See Section III
3	Bowl Assembly, See Section IV
4	Base Assembly, See Section V
5	Main Card Cage/Heatsink Assemblies, See Section VI
6	I/O Card Cage/Harness Assemblies, See Section VII
7	Pan Assembly, See Section VIII
8	Front Panel Assembly, See Section IX
9	Shipping Container and Mounting Assembly, See Section X

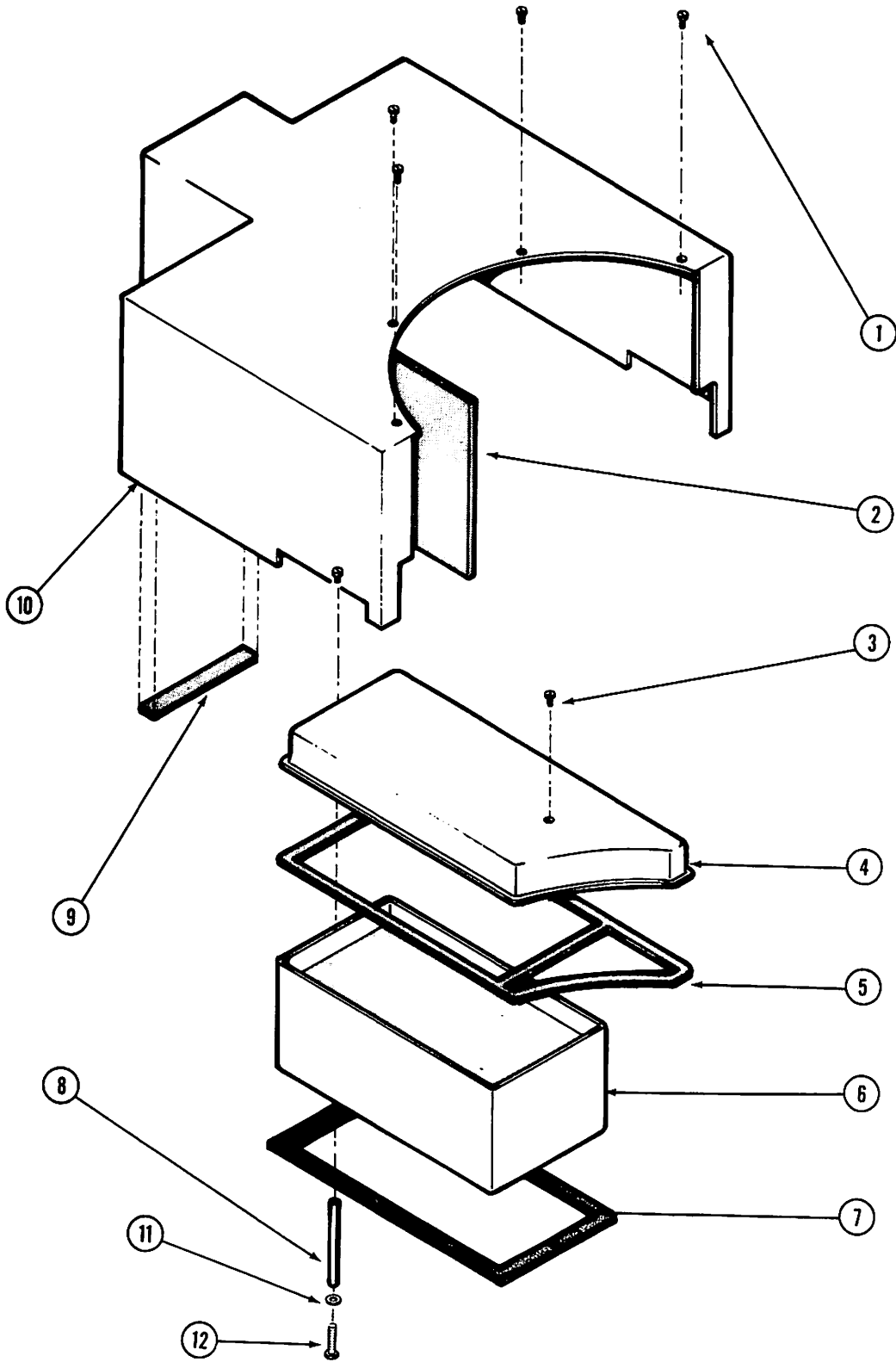


Figure 2-1
REAR COVER, AIR FILTER
AIR FILTER HOUSING

SECTION II.1

REAR COVER, AIR FILTER AND AIR FILTER HOUSING ASSEMBLIES

<u>ITEM NO.</u>	<u>PART NO.</u>	<u>DESCRIPTION</u>
1	70067-04	Screw, Counter Sink Slotted, 6-32 x .250"
2	16471	Insulation
3	70031-08	Screw, Pan Head Slotted, 8-32 x .500"
4	16303-01	Air Filter Cover
5	16306	Gasket
6	16163	Air Filter
7	16305	Gasket
8	16304-03	Post, Filter
9	16851	Pad, Self Adhesive
10	16019	Rear Cover
11	70168-10	Lockwasher, #10
12	70060-10	Screw, Hex Head, 10-32 x .625"

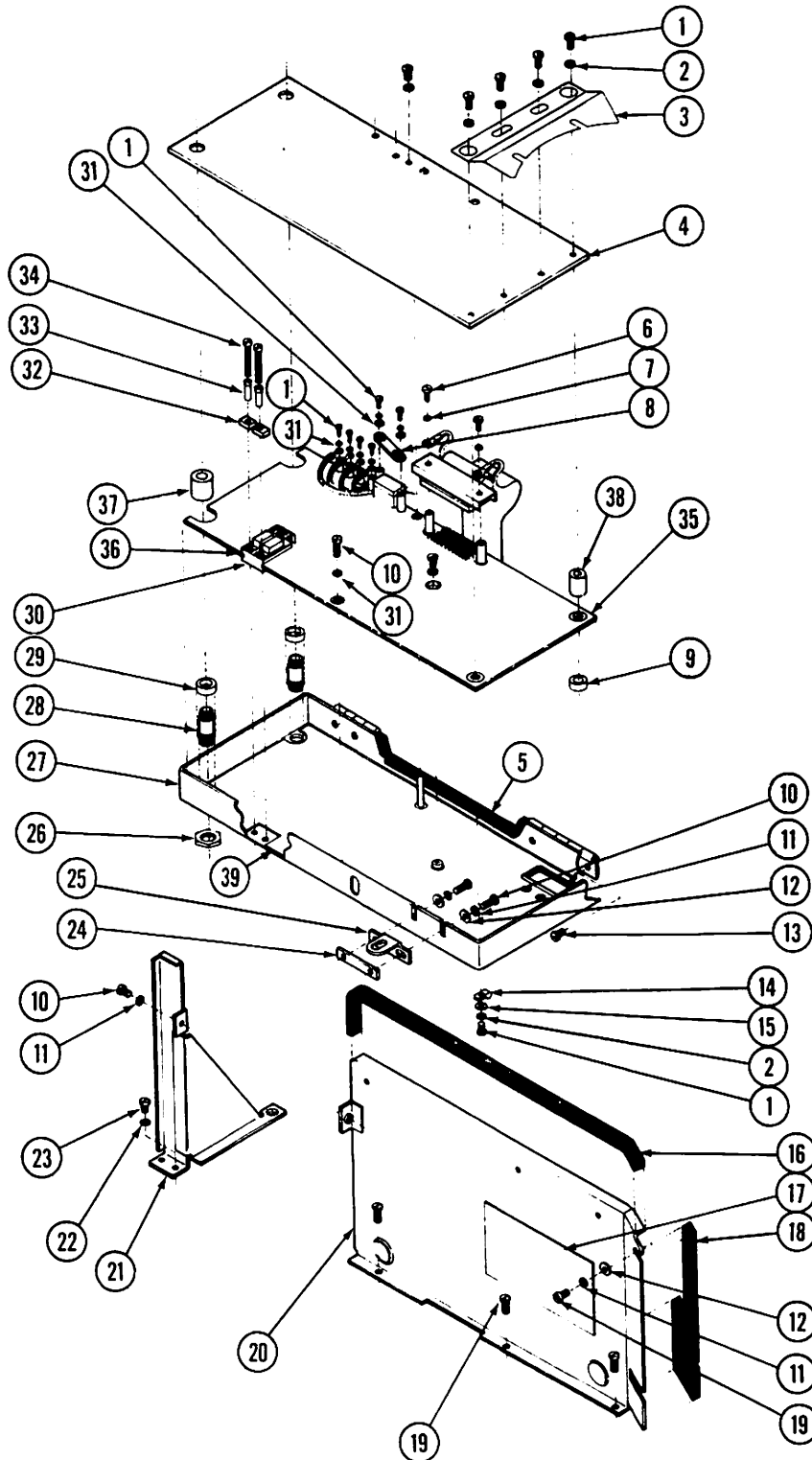


Figure 3-1
 READ/WRITE BOX ASSEMBLY

SECTION III.1

READ/WRITE BOX ASSEMBLY
(See Note)

ITEM NO.	PART NO.	DESCRIPTION	ITEM NO.	PART NO.	DESCRIPTION
1	70029-04	Screw, Pan Head Slotted, 4-40 x .250"	28	16651	Spacer
2	70179-04	Flatwasher, #4	29	16655-01	Spacer
3	16726	Ground Shield	30	16795	Heatsink
4	16586	Cover, R/W Box	31	70168-04	Lockwasher, #4
5	10676-01	Grommet, Catapillar	32	16796	Heatsink, Upper
6	70027-04	Screw, Pan Head Slotted, 2-56 x .250"	33	10528-14	Insulator, Nylon
7	70168-02	Lockwasher, #2	34	70029-14	Screw, Pan Head Slotted, 4-40 x .250"
8	16710	Clamp	35	11486-XX	R/W PCB Assembly, See Section III.2
9	16664-01	Spacer	36	10553	Insulator, Transistor
10	70030-04	Screw, Pan Head Slotted, 6-32 x .250"	37	16655-02	Spacer
11	70168-06	Lockwasher, #6	38	16664-02	Spacer
12	70169-06	Flatwasher, #6	39	16587	Insulator, "Fish Paper"
13	70029-03	Screw, Pan Head Slotted, 4-40 x .187"	NOTE: R/W Box Assembly Option Table		
14	10535-16	Clip	16589-01 100TPI 1500 RPM		
15	70179-02	Flatwasher, #2	16589-02 100TPI 2400 RPM		
16	16314	Pad, Self Adhesive	16589-10 100TPI 2400 RPM VFO		
17	16566	Insulator	16589-12 100TPI 1500 RPM VFO		
18	16444	Pad, Self Adhesive	16589-22 200TPI 2400 RPM		
19	70030-06	Screw, Pan Head Slotted, 6-32 x .500"	16589-30 200TPI 2400 RPM VFO		
20	16308	Filter Shield			
21	16858	Stiffener			
22	70168-10	Lockwasher, #10			
23	70032-06	Screw, Pan Head Slotted, 10-37 x .187"			
24	16850	Nut Plate			
25	16849	Mounting Bracket			
26	70353	Nut, Hex, 3/8-32			
27	16588	Housing Assembly			

SECTION III.2

R/W PCB ASSEMBLY #11486-XXU
(See Note)

LOCATION	PART NO.	DESCRIPTION	LOCATION	PART NO.	DESCRIPTION
A5	10097-27	Inductor, 27uH	B16	10023-10	Resistor, 1K 1/4W 5%
A6	10076-68	Capacitor, 6.8mFd 35V	B22	10160	Diode, 1N4454
A10	10097-27	Inductor, 27uH	B23	10024-10	Resistor, 10K 1/4W 5%
A11	10076-68	Capacitor, 6.8mFd 35V	B24	10160	Diode, 1N4454
A18	10097-01	Inductor, 1uH	B25	10023-47	Resistor, 4.7K 1/4W 5%
A19	10077-39	Capacitor, 39mFd 10V	B26	10033-15	Resistor, 1.5K 1/2W 5%
A70	10023-10	Resistor, 1K 1/4W 5%	B28	10021-47	Resistor, 47 Ohm 1/4W 5%
A71	10023-12	Resistor, 1.2K 1/4W 5%	B30	10021-47	Resistor, 47 Ohm 1/4W 5%
A72	10024-10	Resistor, 10K 1/4W 5%	B31	10023-47	Resistor, 4.7K 1/4W 5%
A73	-----	(Not Used)	B33	10033-15	Resistor, 1.5K 1/2W 5%
A74	-----	(Not Used)	B34	10023-47	Resistor, 4.7K 1/4W 5%
A75	-----	(Not Used)	B35	10021-47	Resistor, 47 Ohm 1/4W 5%
A76	10022-47	Resistor, 470 Ohm 1/4W 5%	B36	10021-47	Resistor, 47 Ohm 1/4W 5%
A77	10022-47	Resistor, 470 Ohm 1/4W 5%	B37	10021-47	Resistor, 47 Ohm 1/4W 5%
A78	10023-75	Resistor, 7.5K 1/4W 5%	B47	10144	IC, SP380A
A79	10062-51	Capacitor, 510pF 500V	B49	10024-10	Resistor, 10K 1/4W 5%
A80	10023-27	Resistor, 2.7K 1/4W 5%	B56	10144	IC, SP380A
A81	10022-36	Resistor, 360 Ohm 1/4W 5%	B58	-----	(Not Used)
A82	10160	Diode, 1N4454	B59	-----	(Not Used)
A83	10022-47	Resistor, 470 Ohm 1/4W 5%	B66	10318	IC, 74H74
A84	10022-47	Resistor, 470 Ohm 1/4W 5%	B69	10000-69	Resistor, 511 Ohm 1/8W 1%
A85	10062-51	Capacitor, 510pF 500V	B70	-----	(Not Used)
A86	10023-75	Resistor, 7.5K 1/4W 5%	B71	-----	(Test Select)
A87	10023-27	Resistor, 2.7K 1/4W 5%	B72	10105	Transistor, 2N3644
A88	10022-36	Resistor, 360 Ohm 1/4W 5%	B73	10105	Transistor, 2N3644
A105	10076-68	Capacitor, 6.8mFd 35V	B74	-----	(Not Used)
B10	-----	(Not Used)	B75	10012-22	Resistor, 165 Ohm 1/2W 1% (-00, -02, -10, -12 only)
B13	10095-01	Capacitor, .1mFd 10V		10011-91	Resistor, 86.6 Ohm 1/2W 1% (-20, -30 only)
B14	10095-01	Capacitor, .1mFd 10V			
B15	10021-27	Resistor, 27 Ohm 1/4W 5%	B76	10012-18	Resistor, 150 Ohm 1/2W 1%

LOCATION	PART NO.	DESCRIPTION
B77	10105	Transistor, 2N3644
B80	10160	Diode, 1N4454
B81	10105	Transistor, 2N3644
B82	10106	Transistor, 2N4916
B83	10107	Transistor, 2N5189
B85	10105	Transistor, 2N3644
B86	10107	Transistor, 2N5189
B87	10106	Transistor, 2N4916
B91	10024-22	Resistor, 22K 1/4W 5%
B92	10022-47	Resistor, 470 Ohm 1/4W 5% (-00 only)
	10022-43	Resistor, 430 Ohm 1/4W 5% (-02, -10, -12 only)
	10022-33	Resistor, 330 Ohm 1/4W 5% (-20, -30 only)
B93	10022-47	Resistor, 470 Ohm 1/4W 5% (-00 only)
	10022-43	Resistor, 430 Ohm 1/4W 5% (-02, -10, -12 only)
	10022-33	Resistor, 330 Ohm 1/4W 5% (-20, -30 only)
B94	10260	Diode, 1N4607
B95	10160	Diode 1N4454
B96	10260	Diode, 1N4607
B97	10260	Diode, 1N4607
B98	10160	Diode, 1N4454
B99	10260	Diode, 1N4607
B100	10260	Diode, 1N4607
B101	10260	Diode, 1N4607
B102	10260	Diode, 1N4607
B103	10160	Diode, 1N4454
B104	10260	Diode, 1N4607
B105	10260	Diode, 1N4607
B106	10160	Diode, 1N4454
B107	10260	Diode, 1N4607
B108	10024-11	Resistor, 11K 1/4W 5%
B109	10024-11	Resistor, 11K 1/4W 5%

LOCATION	PART NO.	DESCRIPTION
B110	10023-82	Resistor, 8.2K 1/4W 5%
B111	10023-82	Resistor, 8.2K 1/4W 5%
B112	10022-10	Resistor, 100 Ohm 1/4W 5%
D9	10134	IC, 7400
D18	10133	IC, 7410
D20	10023-47	Resistor, 4.7K 1/4W 5%
D28	10134	IC, 7400
D30	10095-01	Capacitor, .1mFd 10V
D37	10144	IC, SP380A
D47	10134	IC, 7400
D48	10095-01	Capacitor, .1mFd 10V
D56	10144	IC, SP380A
D58	10032-30	Resistor, 300 Ohm 1/2W 5%
D66	10136	IC, 7404
D69	10024-15	Resistor, 15K 1/4W 5%
D70	10160	Diode, 1N4454
D71	10025-15	Resistor, 150K 1/4W 5%
D72	10023-10	Resistor, 1K 1/4W 5%
D73	10023-27	Resistor, 2.7K 1/4W 5%
D74	10024-15	Resistor, 15K 1/4W 5%
D75	10160	Diode, 1N4454
D76	10025-15	Resistor, 150K 1/4W 5%
D77	10023-10	Resistor, 1K 1/4W 5%
D78	10023-27	Resistor, 2.7K 1/4W 5%
D79	10024-15	Resistor, 15K 1/4W 5%
D80	10160	Diode, 1N4454
D81	10025-15	Resistor, 150K 1/4W 5%
D82	10023-10	Resistor, 1K 1/4W 5%
D83	10023-27	Resistor, 2.7K 1/4W 5%
D84	10024-15	Resistor, 15K 1/4W 5%
D85	10160	Diode, 1N4454
D86	10025-15	Resistor, 150K 1/4W 5%
D87	10023-10	Resistor, 1K 1/4W 5%
D88	10023-27	Resistor, 2.7K 1/4W 5%

LOCATION	PART NO.	DESCRIPTION
D91	10032-27	Resistor, 270 Ohm 1/2W 5%
D93	10023-27	Resistor, 2.7K 1/4W 5%
D94	10260	Diode, 1N4607
D95	10260	Diode, 1N4607
D96	10086-10	Capacitor, .1mFd 50V
D97	10109	Transistor, 2N3643
D98	10564-20	Wire, Buss
D99	10564-20	Wire, Buss, 20AWG
D104	10260	Diode, 1N4607
D105	10260	Diode, 1N4607
D106	10109	Transistor, 2N3643
D108	10076-68	Capacitor, 6.8mFd 35V
D109	10023-56	Resistor, 5.6K 1/4W 5%
D110	10023-56	Resistor, 5.6K 1/4W 5%
D111	10023-20	Resistor, 2K 1/4W 5%
D113	10022-10	Resistor, 100 Ohm 1/4W 5%
E9	10133	IC, 7410
E18	10134	IC, 7400
E20	10033-15	Resistor, 1.5K 1/2W 5%
E22	-----	(not used)
E23	-----	(not used)
E28	10306	IC, 75452
E30	10023-47	Resistor, 4.7K 1/4W 5%
E35	10033-10	Resistor, 1K 1/2W 5%
E37	10095-01	Capacitor, .1mFd 10V
E38	-----	(not used)
E39	-----	(not used)
E47	10317	IC, 74H11
E56	10303	IC, 7486
E58	10095-01	Capacitor, .1mFd 10V
E66	10120	IC, 7426
E71	10109	Transistor, 2N3643
E72	10106	Transistor, 2N4916
E73	10023-10	Resistor, 1K 1/4W 5%

LOCATION	PART NO.	DESCRIPTION
E74	10095-01	Capacitor, .1mFd 10V
E76	10109	Transistor, 2N3643
E77	10106	Transistor, 2N4916
E78	10023-10	Resistor, 1K 1/4W 5%
E80	10109	Transistor, 2N3643
E81	10106	Transistor, 2N4916
E83	10023-10	Resistor, 1K 1/4W 5%
E85	10109	Transistor, 2N3643
E86	10106	Transistor, 2N4916
E88	10023-10	Resistor, 1K 1/4W 5%
E94	10062-47	Capacitor, 470pF 500V (-00, -10, -20, -30 only)
	10062-68	Capacitor, 680pF 500V (-02, -12 only)
E95	10021-68	Resistor, 68 Ohm 1/4W 5%
E96	10095-01	Capacitor, .1mFd 10V
E97	10021-10	Resistor, 10 Ohm 1/4W 5%
E99	10062-15	Capacitor, 150pF 500V
E100	10315	IC, NE592A
E105	10070-10	Capacitor, .001mFd 200V (-02, -12, -20, -30 only)
	10062-51	Capacitor, 510pF 500V (-00, -10 only)
E106	10086-10	Capacitor, .1mFd 50V
E107	10564-20	Wire, Buss, 20AWG
E108	10023-13	Resistor, 1.3K 1/4W 5% (-00, -02, -10, -12 only)
	10023-15	Resistor, 1.5K 1/4W 5% (-20, -30 only)
E109	-----	(not used)
E110	10023-82	Resistor, 8.2K 1/4W 5%
E111	10023-82	Resistor, 8.2K 1/4W 5%
E112	10022-10	Resistor, 100 Ohm 1/4W 5%
H9	10134	IC, 7400
H11	10095-01	Capacitor, .1mFd 10V
H13	10023-47	Resistor, 4.7K 1/4W 5%
H18	10306	IC, 75452

LOCATION	PART NO.	DESCRIPTION
H20	10095-01	Capacitor, .1mFd 10V
H28	10144	IC, SP380A
H29	10070-47	Capacitor, .0047mFd 200V
H30	10024-10	Resistor, 10K 1/4W 5%
H37	10144	IC, SP380A
H39	10023-10	Resistor, 1K 1/4W 5%
H47	10120	IC, 7426
H56	10596-01	Socket, 16-pin
H58	10032-18	Resistor, 180 Ohm 1/2W 5%
H60	10023-10	Resistor, 1K 1/4W 5%
H61	10023-10	Resistor, 1K 1/4W 5%
H63	10023-10	Resistor, 1K 1/4W 5%
H64	10023-10	Resistor, 1K 1/4W 5%
H66	10095-01	Capacitor, .1mFd 10V
H69	10160	Diode, 1N4454
H70	10004-13	Resistor, 13.3K 1/8W 1%
H71	10023-10	Resistor, 1K 1/4W 5%
H72	10023-10	Resistor, 1K 1/4W 5%
H73	10023-47	Resistor, 4.7K 1/4W 5%
H74	10160	Diode, 1N4454
H75	10022-47	Resistor, 470 Ohm 1/4W 5%
H76	10022-47	Resistor, 470 Ohm 1/4W 5%
H77	10160	Diode, 1N4454
H78	10160	Diode, 1N4454
H79	10023-22	Resistor, 2.2K 1/4W 5%
H80	10023-15	Resistor, 1.5K 1/4W 5%
H81	10023-82	Resistor, 8.2K 1/4W 5%
H82	10021-27	Resistor, 27 Ohm 1/4W 5%
H83	10023-82	Resistor, 8.2K 1/4W 5%
H84	10164	Diode, 1N4454
H85	10107	Transistor, 2N5189
H86	10105	Transistor, 2N3644
H88	10022-15	Resistor, 150 Ohm 1/4W 5%

LOCATION	PART NO.	DESCRIPTION
H93	10204-15	Inductor, 15uH (-00, -10, -20, -30 only)
	10204-12	Inductor, 12uH (-02, -12 only)
H94	10062-20	Capacitor, 200pF 500V (-00, -10, -20, -30 only)
	10061-68	Capacitor, 68pF 500V (-02, -12 only)
H95	10061-82	Capacitor, 82pF 500V (-00, -10, -20, -30 only)
	10062-15	Capacitor, 150pF 500V (-02, -12 only)
H96	10204-33	Inductor, 33uH (-00, -10, -20, -30 only)
	10204-27	Inductor, 27uH (-02, -12 only)
H97	10022-39	Resistor, 390 Ohm 1/4W 5%
H98	10085-22	Capacitor, .022mFd 50V
H99	10085-22	Capacitor, .022mFd 50V
H100	10022-39	Resistor, 390 Ohm 1/4W 5%
H101	10095-01	Capacitor, .1mFd 10V
H102	10021-10	Resistor, 10 Ohm 1/4W 5%
H103	10204-15	Inductor, 15uH (-00, -10, -20, -30 only)
	10204-12	Inductor, 12uH (-02, -12 only)
H104	10062-20	Capacitor, 200pF 500V (-00, -10, -20, -30 only)
	10061-68	Capacitor, 68pF 500V (-02, -12 only)
H105	10061-82	Capacitor, 82pF 500V (-00, -10, -20, -30 only)
	10062-15	Capacitor, 150pF 500V (-02, -12 only)
H106	10204-33	Inductor, 33uH (-00, -10, -20, -30 only)
	10204-27	Inductor, 27uH (-02, -12 only)
H107	10564-20	Wire, Buss, 20AWG
J5	10470	Diode, 6.2V Zener, 1/2W 2%
J6	10041-82	Resistor, 82 Ohm 1W 5%

LOCATION	PART NO.	DESCRIPTION
J13	-----	(not used)
J14	10469	Diode, 5V Zener, 1/2W 2%
J15	10041-82	Resistor, 82 Ohm 1W 5%
J18	10031-22	Resistor, 22 Ohm 1/2W 5%
J22	10398	Transistor, MJE5194
J28	10399	Transistor, MJE5191
J32	10470	Diode, 6.2V Zener, 1/2W 2%
J34	10033-18	Resistor, 1.8K 1/2W 5%
J35	10031-22	Resistor, 22 Ohm 1/2W 5%
J37	10095-01	Capacitor, .1mFd 10V
J38	10021-10	Resistor, 10 Ohm 1/4W 5%
J39	10316	IC, 8T20B
J40	-----	(not used)
J41	10061-27	Capacitor, 27pF 500V
J42	10095-01	Capacitor, .1mFd 10V
J43	-----	(test select)
J44	10003-66	Resistor, 4.75K 1/8W 1%
J45	10020-27	Resistor, 2.7 Ohm 1/4W 5%
J46	10003-01	Resistor, 1K 1/8W 1%
J47	10086-10	Capacitor, .1mFd 50V
J48	10021-47	Resistor, 47 Ohm 1/4W 5%
J49	10021-47	Resistor, 47 Ohm 1/4W 5%
J50	10086-10	Capacitor, .1mFd 50V
J51	10003-01	Resistor, 1K 1/8W 1%
J52	-----	(not used)
J53	10000-69	Resistor, 511 Ohm 1/8W 1%
J54	10095-01	Capacitor, .1mFd 10V
J55	10021-10	Resistor, 10 Ohm 1/4W 5%
J56	10315	IC, NE592A
J57	-----	(not used)
J58	10095-01	Capacitor, .1mFd 10V
J59	10021-10	Resistor, 10 Ohm 1/4W 5%
J60	10000-69	Resistor, 511 Ohm 1/8W 1%
J61	10000-69	Resistor, 511 Ohm 1/8W 1%

LOCATION	PART NO.	DESCRIPTION
J62	10086-10	Capacitor, .1mFd 50V
J63	10003-30	Resistor, 2K 1/8W 1%
J64	10022-39	Resistor, 390 Ohm 1/4W 5%
J65	10022-39	Resistor, 390 Ohm 1/4W 5%
J66	10003-30	Resistor, 2K 1/8W 1%
J67	10086-10	Capacitor, .1mFd 50V
J68	10000-69	Resistor, 511 Ohm 1/8W 1%
J69	-----	(not used)
J71	10109	Transistor, 2N3643
J72	10022-47	Resistor, 470 Ohm 1/4W 5%
J74	10109	Transistor, 2N3643
J75	10314	Transistor, 2N3646
J76	10023-47	Resistor, 4.7K 1/4W 5%
J77	10023-47	Resistor, 4.7K 1/4W 5%
J78	10469	Diode, 5V Zener, 1/2W 2%
J80	10469	Diode, 5V Zener, 1/2W 2%
J83	10314	Transistor, 2N3646
J86	10022-33	Resistor, 330 Ohm 1/4W 5%
J87	10022-33	Resistor, 330 Ohm 1/4W 5%
J88	10022-47	Resistor, 470 Ohm 1/4W 5%
J89	10314	Transistor, 2N3646
J90	10095-01	Capacitor, .1mFd 10V
J91	10003-30	Resistor, 2K 1/8 1%
J92	10000-69	Resistor, 511 Ohm 1/8 1%
J93	10021-10	Resistor, 10 Ohm 1/4W 5%
J94	10085-22	Capacitor, .022mFd 50V (-00, -10, -20, -30 only)
	10085-33	Capacitor, .033mFd 50V (-02, -12 only)
J95	10000-69	Resistor, 511 Ohm 1/8W 1%
J96	10086-10	Capacitor, .1mFd 50V
J97	10086-10	Capacitor, .1mFd 50V
J100	10315	IC, NE592A
J101	10000-69	Resistor, 511 Ohm 1/8W 1%
J102	10022-62	Resistor, 620 Ohm 1/4W 5%

<u>LOCATION</u>	<u>PART NO.</u>	<u>DESCRIPTION</u>
J103	10021-10	Resistor, 10 Ohm 1/4W 5%
J104	10085-22	Capacitor, .22mFd 50V (-00, -10, -20, -30 only)
	10085-33	Capacitor, .033mFd 50V (-02, -12 only)
J105	10003-30	Resistor, 2K 1/8W 1%
J106	10095-01	Capacitor, .1mFd 10V
J107	10000-69	Resistor, 511 Ohm 1/8W 1%
P8	10596-00	Socket, 14-pin
---	15304	Connector, R/W Head
---	10641	Post-Connector, R/W Cable

<u>LOCATION</u>	<u>PART NO.</u>	<u>DESCRIPTION</u>
-----------------	-----------------	--------------------

NOTE: R/W PCB Option Table

11486-00 100TPI 2400 RPM Single Shot Separator
11486-02 100TPI 1500 RPM Single Shot Separator
11486-10 100TPI 2400 RPM VFO Separator
11486-12 100TPI 1500 RPM VFO Separator
11486-20 200TPI 2400 RPM Single Shot Separator
11486-30 200TPI 2400 RPM VFO Separator

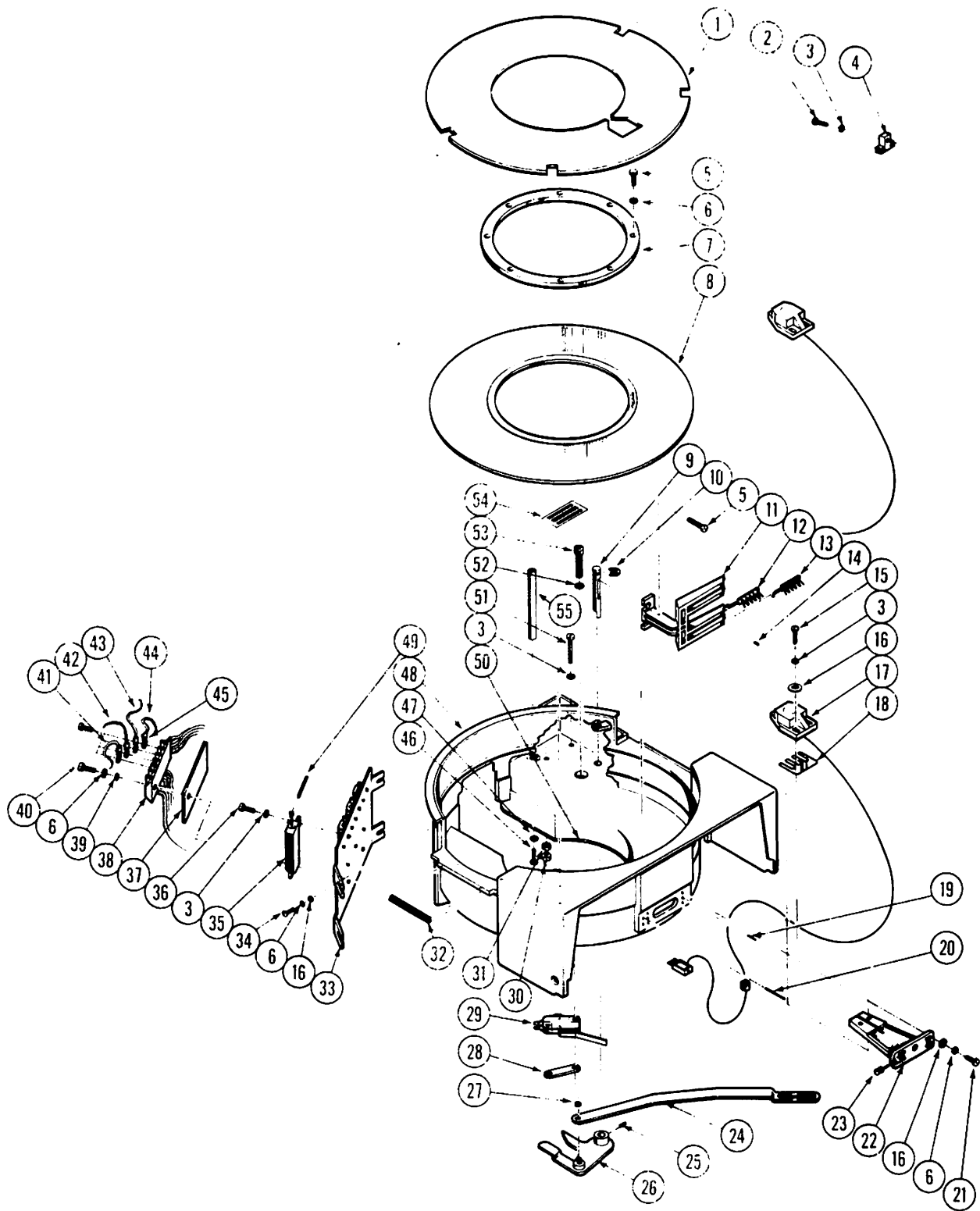


Figure 4-1
BOWL ASSEMBLY

SECTION IV.1

BOWL ASSEMBLY

ITEM NO.	PART NO.	DESCRIPTION	ITEM NO.	PART NO.	DESCRIPTION
1	16302	Cover, Dust	28	15251	Nut Plate
2	70029-04	Screw, Pan Head Slotted, 4-40 x .250"	29	15300	Microswitch
3	70168-04	Lockwasher, #4	30	16073	Eccentric
4	16301	Cover Mounting Bracket	31	70166-06	Nut, Hex, 6-32
5	70030-06	Screw, Pan Head Slotted, 6-32 x .375"	32	16465	Pad, Self Adhesive
6	70168-06	Lockwasher, #6	33	16696	Bracket, Resistor Mount (Old)
7	16102	Disk Retaining Ring		16696-01	Bracket, Resistor Mount (new)
8	16483	Disk, Fixed	34	70030-06	Screw, Pan Head Slotted, 6-32 x .375"
9	16069	Mounting Spindle, Brush	35	10220-04	Resistor, 4 Ohm 50W
10	70170-10	Clip	36	70029-05	Screw, Pan Head Slotted, 4-40 x .312"
11	16078	Brush Arm	37	10674-04	Label, Identification
12	16082-01	Brush	38	10671-06	Terminal Block
13	16082-02	Brush	39	70179-06	Flatwasher, #6
14	70292-04	Screw, Socket Head, .250"	40	70030-10	Screw, Pan Head Slotted, 6-32 x .625"
15	70029-06	Screw, Pan Head Slotted, 4-40 x .375"	41	10560-04	Wire, 20AWG Green
16	70169-04	Flatwasher, #4	42	10560-06	Wire, 20AWG Blue
17	16361	Transducer Assembly, Index/Sector	43	10560-08	Wire, 20AWG Orange
18	16358-01	Shim, .005"	44	10560-09	Wire, 20AWG Gray
	16358-02	Shim, .002"	45	10616-06	Terminal Lug
19	70207-06	Dowl Pin, .125 x .375"	46	70060-10	Screw, Hex Head, 10-32 x .625"
20	70371-16	Roll Pin, .125 x 1"	47	70168-10	Lockwasher, #10
21	70058-06	Screw, Hex Head, 6-32 x .375"	48	16447	Bowl (Without Hole)
22	16354-01	Bracket, Transducer Mount		16447-02	Bowl (With Hole)
23	16356	Screw (Special)	49	10564-18	Wire, 18AWG Buss
24	16070	Lines, Brush Motor	50	16319	Gasket
25	70294-04	Screw, Socket Set, 6-32 x .250"	51	70029-14	Screw, Pan Head Slotted, 4-40 x .375"
26	16068	Lever	52	70168-13	Lockwasher, 1/4"
27	70170-04	Clip	53	70445-24	Screw, Socket Head, 1/4-20 x 1.250"

ITEM NO. PART NO. DESCRIPTION

54 16822 Label, Caution

55 16304-01 Post

ITEM NO. PART NO. DESCRIPTION



8

4



8

4



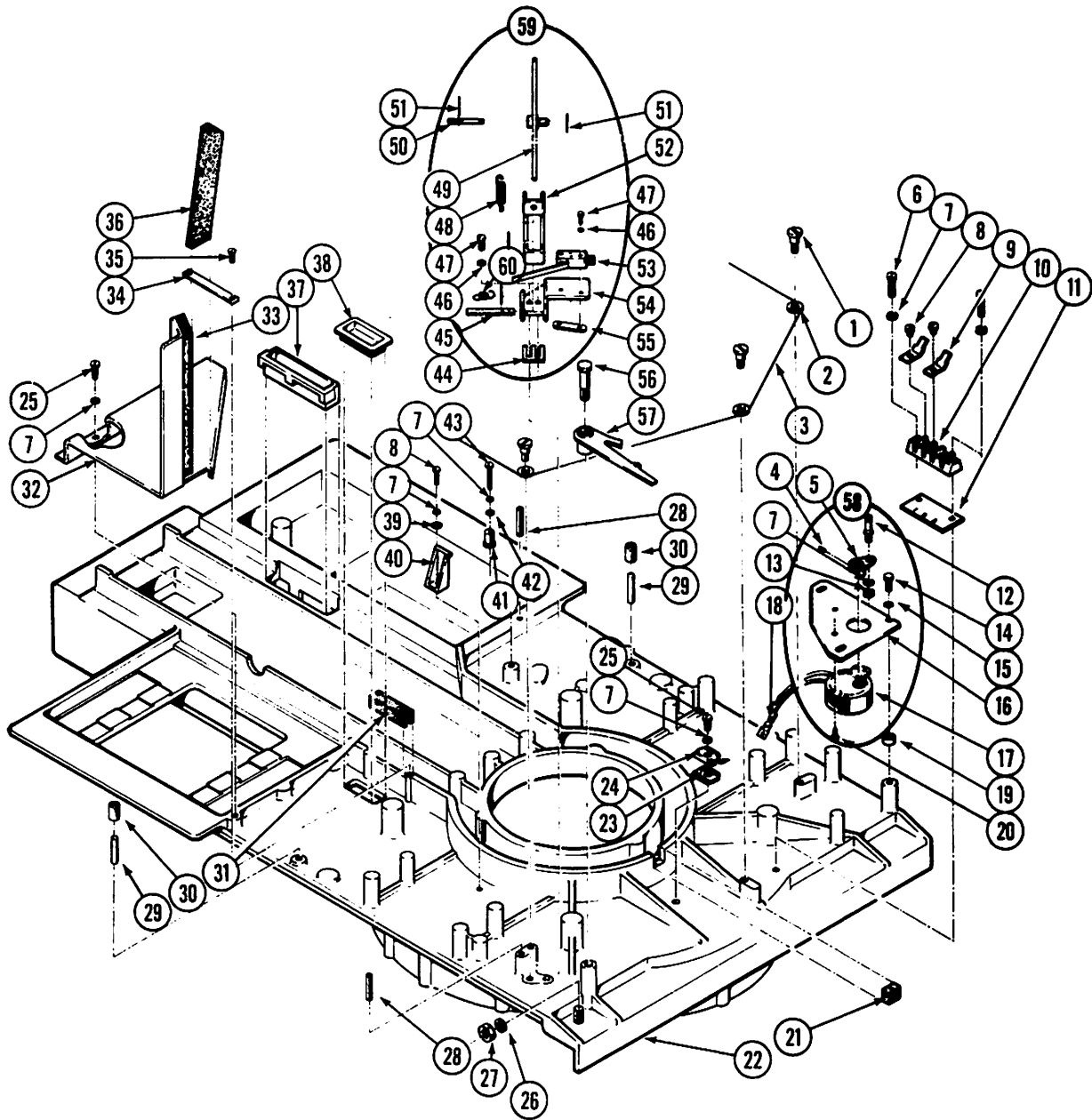


Figure 5-1
 BASE ASSEMBLY
 (top)

SECTION V.1
BASE ASSEMBLY (TOP)

ITEM NO.	PART NO.	DESCRIPTION	ITEM NO.	PART NO.	DESCRIPTION
1	16367	Bolt, Shoulder	28	70371-06	Spring Pin
2	16366	Pulley	29	70285-12	Roll Pin
3	16468	Cable	30	16461	Bumper, Safety Stop
4	70294-04	Screw, Socket Set, 6-32 x .250"	31	70378	Extrusion, Protective
5	16076	Arm Assembly, Brush Motor	32	16034-02	Shield
6	70030-08	Screw, Pan Head Slotted, 6-32 x .500"	33	16313	Gasket, Bowl-Safety Stop, Shield
7	70168-06	Lockwasher, #6	34	16710	Terminator Clamp
8	70030-04	Screw, Pan Head Slotted, 6-32 x .250"	35	70066-06	Screw, Under-Cut Flat Head Slotted, 4-40 x .375"
9	10756	Terminal Tag	36	16317	Gasket, Bowl-Safety Stop, Shield
10	10671-06	Terminal Block	37	16411	Grommet, Base Plate
11	10674-06	Label, Identification	38	16410	Grommet, Base Plate
12	16071	Pivot, Brush Link Detent	39	70169-06	Flatwasher, #6
13	70166-06	Nut, Hex, 6-32	40	16464	Cable Retainer
14	70058-08	Screw, Hex Head, 6-32 x .500"	41	16324	Eccentric
15	70234	Washer, Belleville	42	70179-06	Flatwasher, #6
16	16077	Mounting Plate, Motor	43	70030-12	Screw, Pan Head Slotted, 6-32 x .750"
17	16081	Motor, Brush	44	16848	Plate Spacer
18	10513-10	Terminal	45	16405	Shaft, Bail
19	16079	Spacer, Motor Brush	46	70168-04	Lockwasher #4
20	70021-04	Screw, Fillister Head Slotted, 6-32 x .250"	47	70057-10	Screw, Hex Head, 4-40 x .625"
21	16327	Grommet, Base Plate	48	16140	Spring, Solenoid
22	16282	Base Plate	49	16400	Lever Assembly
23	10535-12	Wire Clip, Half Harness	50	16406	Bail, Spindle
24	10537	"D" Washer	51	70170-14	"E" Ring
25	70030-06	Screw, Pan Head Slotted, 6-32 x .375"	52	16396	Bail
26	70168-13	Lockwasher, 1/4"	53	70275	Microswitch
27	70166-13	Nut, Hex, 20-1/4"			

<u>ITEM NO.</u>	<u>PART NO.</u>	<u>DESCRIPTION</u>
54	16397	Bracket, Support
55	15251	Nut Plate
56	16404	Shoulder Bolt
57	16403	Bell Crank Assembly
58	16023	Brush Motor Assembly (includes items 4, 5, 7, 13-20)
59	16022	Cartridge Sensing Assembly (includes items 44-55)
60	16457	Spring



6

4



•

•



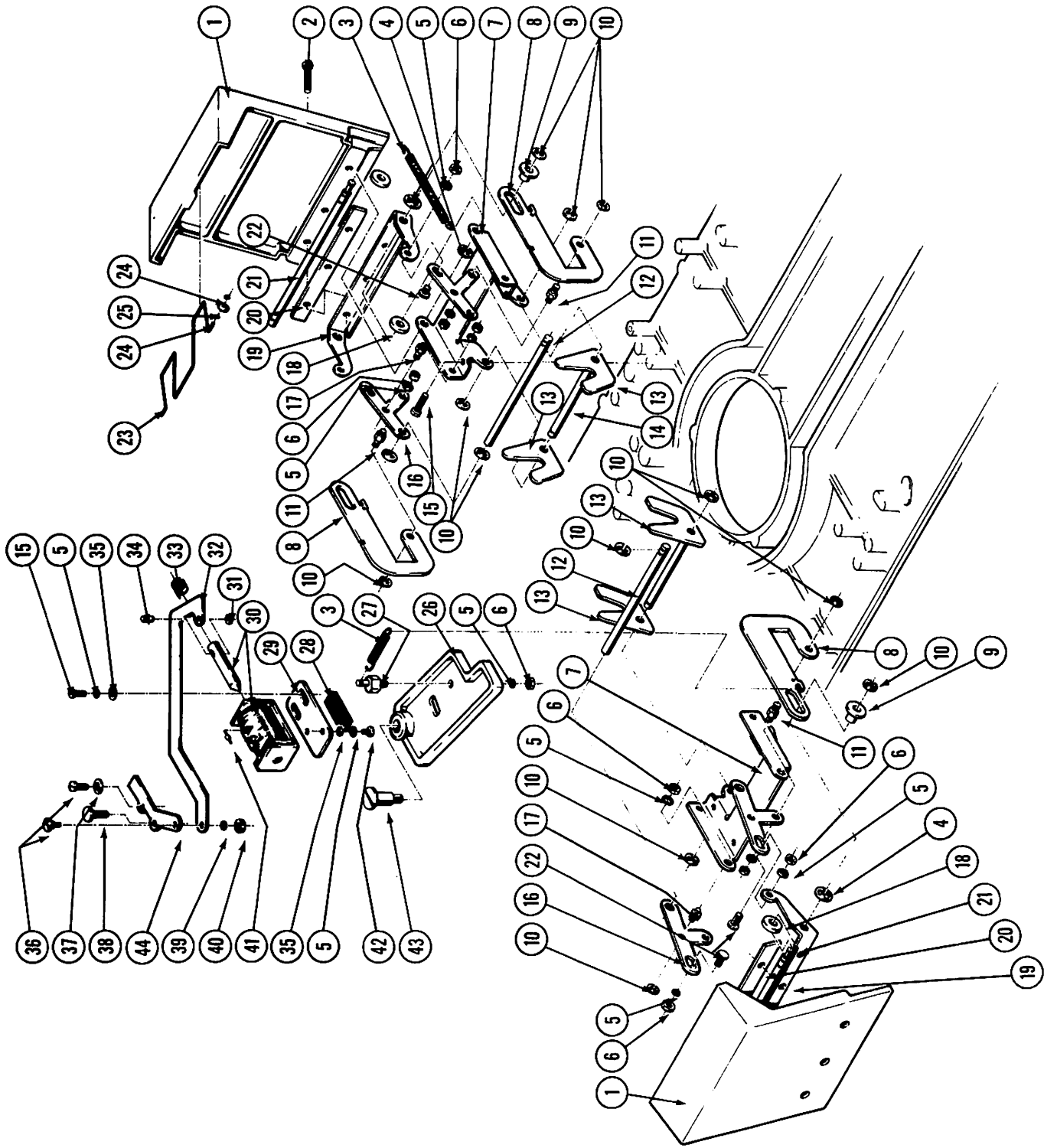


Figure 5-2
 CARTRIDGE RETAINER
 ASSEMBLIES

SECTION V.2

CARTRIDGE RETAINER ASSEMBLIES

ITEM NO.	PART NO.	DESCRIPTION	ITEM NO.	PART NO.	DESCRIPTION
1	16131	Retainer, Cartridge	30	16825	Solenoid Assembly (Includes items 5, 28, 29, 33, 35, 42)
2	70076-08	Screw, Socket Head, Set, 6-32 x .500"	31	70170-03	"E" Ring
3	16173	Spring	32	16837	Link, Cartridge Interlock
4	70170-09	"E" Ring	33	15276	Spring
5	70168-06	Lockwasher, #6	34	15197	Pin
6	70166-06	Nut, Hex, 6-32	35	70169-06	Flatwasher, #6
7	16120	Bracket	36	70029-04	Screw, Pan Head Slotted, 4-40 x .250"
8	16123	Link	37	70169-04	Flatwasher, #4
9	16176	Bushing	38	16363	Shoulder Bolt
10	70170-14	"E" Ring	39	70168-04	Lockwasher, #4
11	16126	Link Pivot	40	70166-04	Nut, Hex, 4-40
12	16125	Cam Shaft	41	10101-01	Diode
13	16280	Cam	42	70030-03	Screw, Pan Head Slotted, 6-32 x .187"
14	16278	Cam Shaft	43	16136	Bolt, Special
15	70030-06	Screw, Pan Head Slotted, 6-32 x .375"	44	16365	Lever Retainer, Interlock
16	16121	Link Lever			
17	16166	Lever Pivot			
18	16165	Spacer			
19	16122	Retainer Lever			
20	16554	Nut Plate			
21	16124	Lever Shaft			
22	16127	Lever Pivot			
23	16135	Torsion Spring			
24	70227-09	"E" Ring			
25	16137	Roller			
26	16134	Safety Stop			
27	16857	Eccentric, Safety Stop			
28	16538	Pad, Rubber			
29	15198	Mounting Plate			

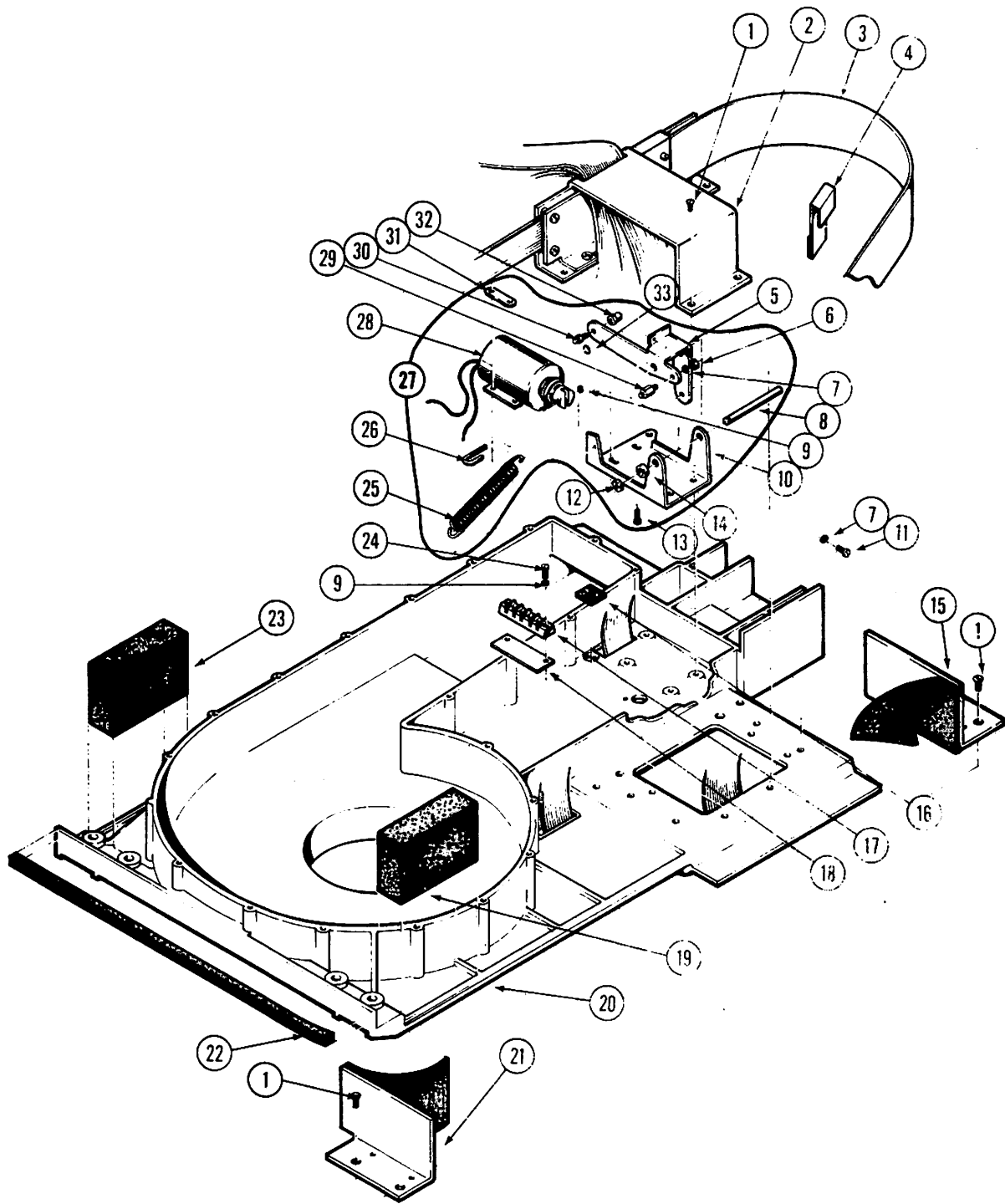


Figure 5-3
 BASE ASSEMBLY
 (bottom)

SECTION V.3

BASE ASSEMBLY (BOTTOM)

ITEM NO.	PART NO.	DESCRIPTION	ITEM NO.	PART NO.	DESCRIPTION
1	70067-05	Screw, Flat Head Slotted, 6-32 x .3125"	29	16337	Pivot
2	16701	Cable Support Bracket	30	16338	Pivot
3	16879	Cable Follower Assembly	31	16340	Nut Plate
4	16665	Clip, Cable Mount	32	16336	Nut
5	16333	Bellcrank	33	70170-04	"E" Ring
6	70166-66	Nut, Hex, 6-32			
7	70168-06	Lock Washer, #6			
8	16334	Shaft			
9	70170-03	"E" Ring			
10	16331	Bracket			
11	70030-06	Screw, Pan Head Slotted, 6-32 x .375"			
12	70172	"E" Ring			
13	70030-04	Screw, Pan Head Slotted, 6-32 x .250"			
14	16335	Spacer			
15	16832	Bracket Assembly			
16	16469	Gasket			
17	10671-04	Terminal Block			
18	10674	Label, Identification			
19	16442	Gasket, Base Plate			
20	16282	Base Plate, Bottom			
21	16830	Bracket Assembly			
22	16318	Gasket			
23	16443	Gasket, Base Plate			
24	70030-08	Screw, Pan Head Slotted, 6-32 x .500"			
25	16559	Spring			
26	15133	Link, Solenoid Loading			
27	16362-03	Head Load Solenoid Assembly			
28	16342	Solenoid Assembly			

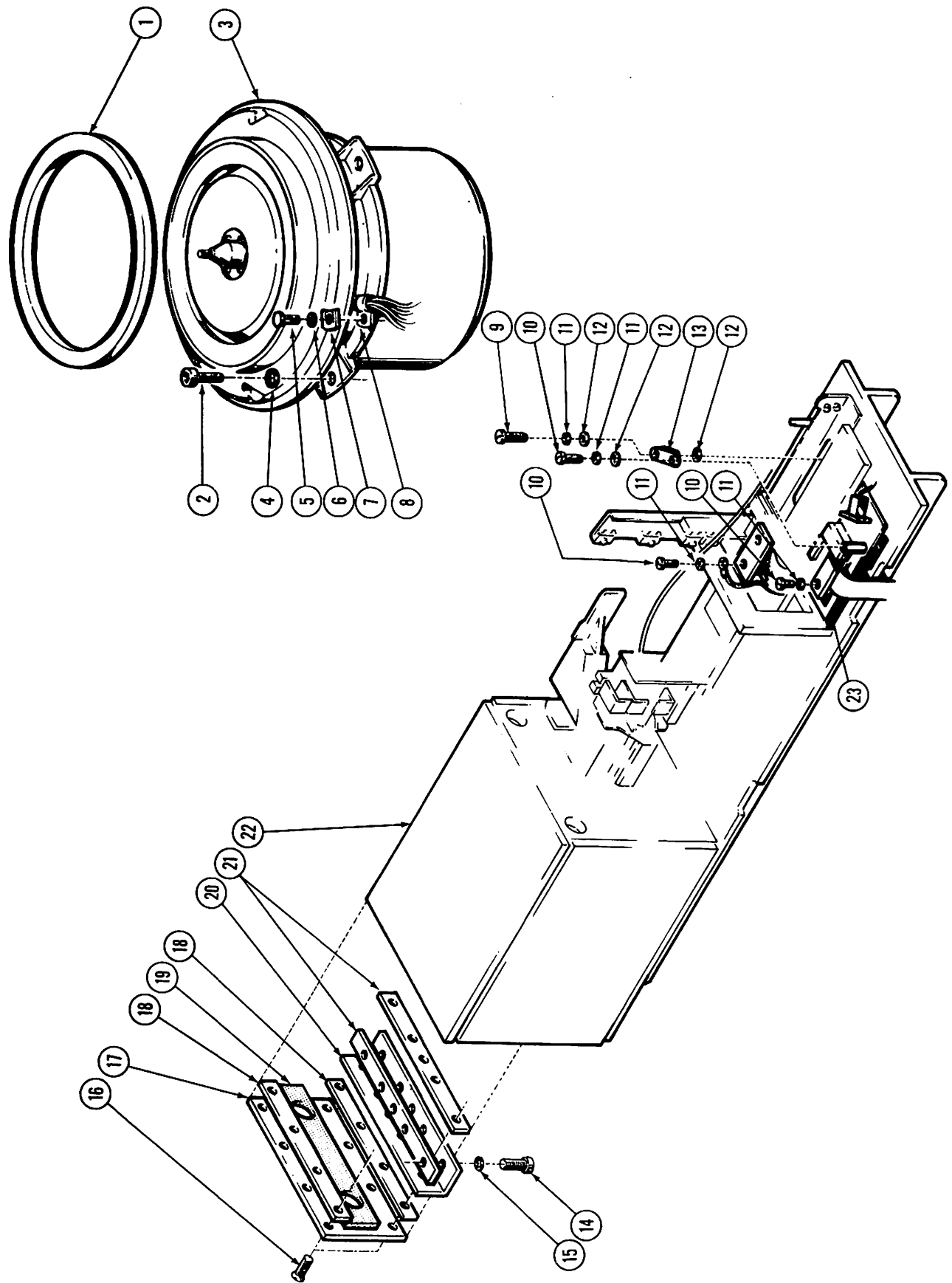


Figure 5-4
 HEAD POSITIONER/SPINDLE
 ASSEMBLIES

SECTION V.4

HEAD POSITIONER/SPINDLE ASSEMBLIES

<u>ITEM NO.</u>	<u>PART NO.</u>	<u>DESCRIPTION</u>	<u>ITEM NO.</u>	<u>PART NO.</u>	<u>DESCRIPTION</u>
1	15242	Magnetic Ring	22	16010-20	Head Positioner Assembly, 200 TPI
2	70679-12	Screw, Socket Head Cap, 1/4-20 x .750"	Not Shown	16272-03	R/W Head Assembly, Upper 100TPI
3	16117-08	Spindle Assembly, 8-Sector	"	16272-04	R/W Head Assembly, Lower 100TPI
	16117-12	Spindle Assembly, 12-Sector	"	16781-01	R/W Head Assembly, Upper 200TPI
	16117-14	Spindle Assembly, 14-Sector	"	16781-02	R/W Head Assembly, Lower, 200TPI
	16117-16	Spindle Assembly, 16-Sector			
	16117-20	Spindle Assembly, 20-Sector	23	11435-20	AW PCB Assembly
	16117-24	Spindle Assembly, 24-Sector			
4	70168-13	Lockwasher, #1/4-20			
5	70058-05	Screw, Hex Head, 6-32 x .312"			
6	70168-06	Lockwasher, #6			
7	10537	"D" Washer			
8	10535-13	Wire Clip			
9	70027-06	Screw, Pan Head Slotted, 2-56 x .375			
10	70027-04	Screw, Pan Head Slotted, 2-56 x .250"			
11	70168-02	Lockwasher, #2			
12	70169-02	Flatwasher, #2			
13	16716	Clamp			
14	70444-10	Screw, Socket Head Cap, .625"			
15	70168-10	Lockwasher, #10			
16	70667-07	Screw, Flat Head Socket, .4375"			
17	16257	Plate			
18	16256	Spacer			
19	16258	Gasket			
20	16259	Bracket			
21	16255	Nut Plate			
22	16010-10	Head Positioner Assembly 100TPI			

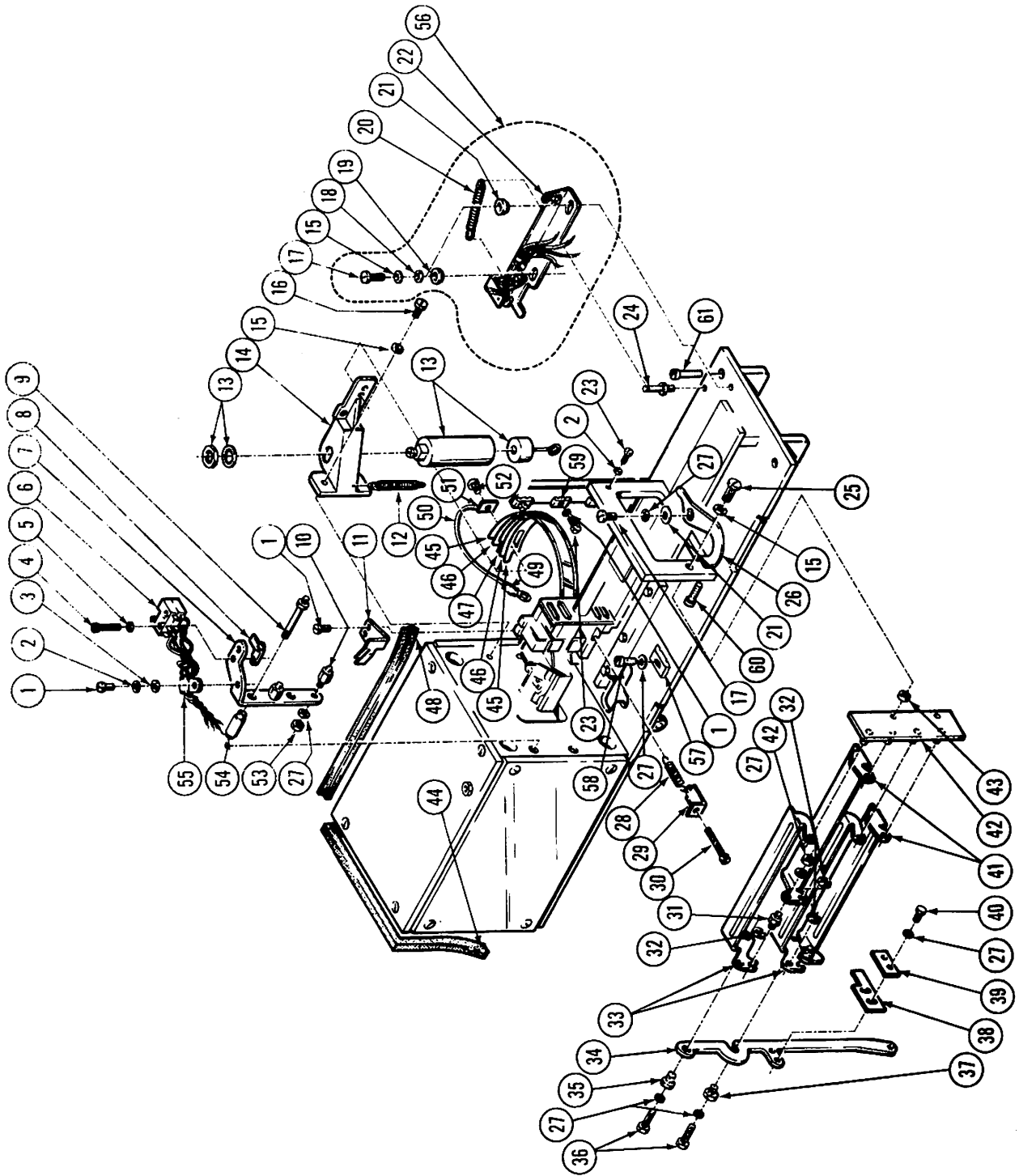
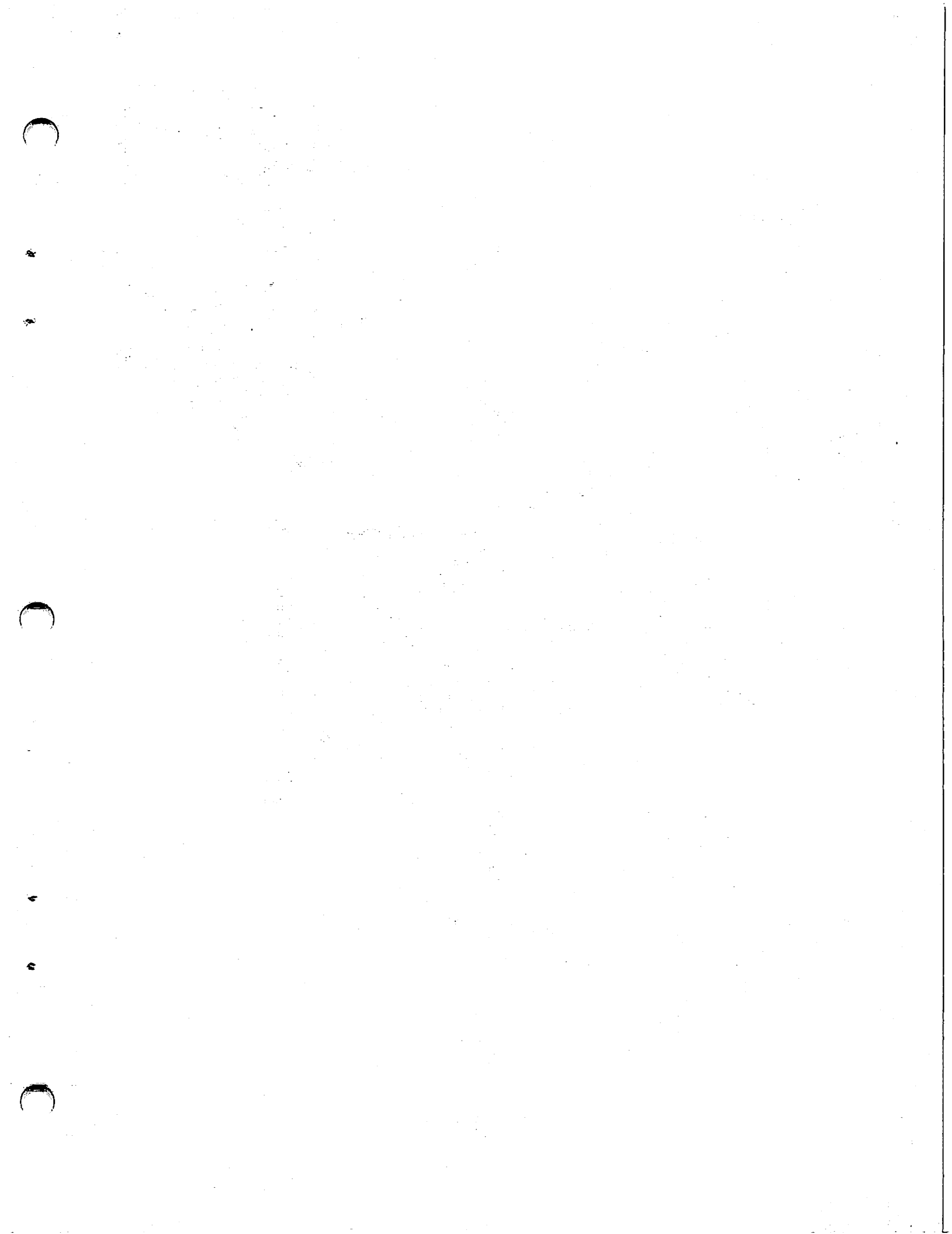


Figure 5-5
 HEAD POSITIONER ASSEMBLY

SECTION V.5
HEAD POSITIONER ASSEMBLY

<u>ITEM NO.</u>	<u>PART NO.</u>	<u>DESCRIPTION</u>	<u>ITEM NO.</u>	<u>PART NO.</u>	<u>DESCRIPTION</u>
1	70029-04	Screw, Pan Head Slotted, 4-40 x .250"	27	70168-06	Lockwasher, #6
2	70168-04	Lockwasher, #4	28	16083	Spring, Compression
3	70169-04	Flatwasher, #4	29	16233	Clamp, R/W Head
4	70073-12	Screw, Socket Head Cap, 2-56K .750"	30	70075-14	Screw, Socket Head Cap, .875
5	70168-02	Lockwasher, #2	31	16347	Eccentric, Lower
6	15611	Switch, Track Zero	32	70170-03	"E" Ring
7	16088	Plate	33	16345	Bail, Upper
8	16456	Bar Nut	34	16027	Link Assembly
9	16348	Pivot, Upper Head Load Bail	35	16561	Eccentric, Upper
10	16349	Pivot, Lower Head Load Bail	36	70058-08	Screw, Hex Head, 6-32 x .500"
11	16368	Actuator, Retract Switch	37	16344	Eccentric, Head Load Bails
12	16218	Spring	38	16434	Stop, Interlock
13	16339	Dashpot	39	16435	Clamp Plate, Interlock
14	16199	Bracket	40	70058-06	Screw, Hex Head, 6-32 x .375"
15	70168-08	Lockwasher, #8	41	16346	Bail, Head Load, Lower
16	70031-06	Screw, Pan Head Slotted, 8-32 x .500"	42	16357	Plate Assembly
17	70030-06	Screw, Pan Head Slotted, 6-32 x .375"	43	16350	Spacer
18	70169-06	Flatwasher, #6	44	16320	Gasket, Upper
19	16477	Bushing, Track Zero Adjust		16321	Gasket, Lower
20	16482	Spring	45	16564	Conductor
21	16476	Bushing, Track Zero Sensor	46	16205	Insulator
22	16474	Bracket Assembly	47	16200	Gasket
23	70029-06	Screw, Pan Head Slotted, 4-40 x .375"	48	16222	Gasket
24	16478	Screw, Track Zero Spring	49	10514-13	Terminal, Ring Tongue, 14/16AWG
25	70031-08	Screw, Pan Head Slotted, 8-32 x .500"	50	10558-02	Hook-up Wire, Stranded, 16AWG
26	16475	Lever, Track Zero Indicator	51	16207	Clamp, Conductor
			52	16248	Machine Screw, Nylon
			53	70166-66	Nut, Hex, 6-32
			54	16089	Spacer

<u>ITEM NO.</u>	<u>PART NO.</u>	<u>DESCRIPTION</u>
55	10535-10	Wire Clip
56	16485	Track Zero Indicator Assembly
57	10535-01	Cable Clamp
58	70058-04	Screw, Hex Head, 6-32 x .250"
59	16119	Clamp, Head Cable
60	70379	Screw, Track Zero Adjust
61	70079-12	Screw, Socket Cap, 1/4-20 x .750"



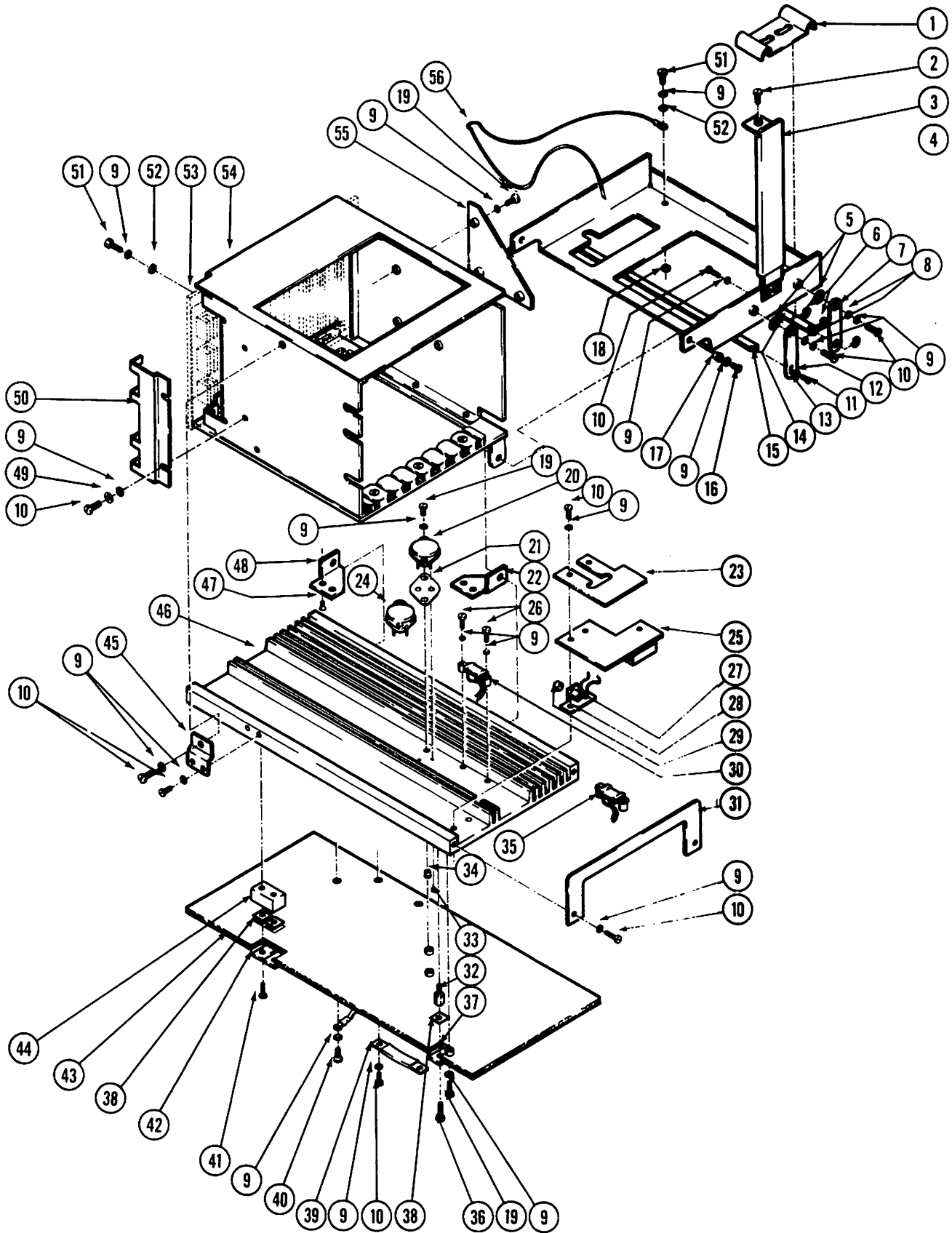


Figure 6-1
 CARD CAGE/HEATSINK
 ASSEMBLIES

SECTION VI.1
 CARD CAGE/HEATSINK ASSEMBLIES
 (See Note)

<u>ITEM NO.</u>	<u>PART NO.</u>	<u>DESCRIPTION</u>	<u>ITEM NO.</u>	<u>PART NO.</u>	<u>DESCRIPTION</u>
1	16604	Clamp	28	16686	Switch Bracket
2	70315-01	Screw, Hex Head Thread Forming, 6-32 x .312"	29	10532	Switch Cap
3	16730	Bracket, Retainer	30	10057-30	Resistor, 30 Ohm 10W
4	16635	Card Cage Tray Assembly	31	16666	Bumper Bracket
5	70169-08	Flatwasher, #8	32	16687	Spacer
6	70170-07	"E" Ring	33	10528-11	Screw, Nylon Insulator
7	16602-01	Arm	34	10528-12	Screw, Nylon Insulator
8	70179-04	Flatwasher, #4	35	10057-20	Resistor, 20 Ohm 10W
9	70168-04	Lockwasher, #4	36	10516-04	Screw, Pan Head Slotted, 4-40 x .250"
10	70029-04	Screw, Pan Head Slotted, 4-40 x .250"	37	10177-02	Transistor, TIP-31A
11	70028-04	Screw, Pan Head Slotted, 3-48 x .250"	38	10553	Insulator
12	70168-03	Lockwasher, #3	39	10567-37	Tubing, Heat Shrinkable
13	16602-03	Arm	40	70029-03	Screw, Pan Head Slotted, 4-40 x .187"
14	16601	Shaft	41	10516-10	Screw, Pan Head Slotted, 4-40 x .625"
15	16603	Shaft	42	10185	Triac, SC141B
16	70029-06	Screw, Pan Head Slotted, 4-40 x .375"	43	11631-XX	Heatsink PCB Assembly (See Section 6-3a) or
17	16631	Spacer	11890-XX	Heatsink PCB Assembly (See Section 6-3b)	
18	70166-04	Nut, Hex, 4-40	44	16690	Spacer, Screw Mount
19	70029-08	Screw, Pan Head Slotted, 4-40 x .500"	45	16685	Mounting Plate
20	10183-01	Transistor, 2N5879	46	16618	Heatsink
21	10612-02	Insulator	47	70067-04	Screw, Flat Head Slotted, 6-32 x .250"
22	16705-01	Pivot Bracket	48	16705-02	Pivot Bracket
23	16810	Insulator	49	70169-04	Flatwasher, #4
24	10183-02	Transistor, 2N5881	50	16615	Clamp, Cable Divider
25	11678	Servo Inhibit Assembly	51	70029-05	Screw, Pan Head Slotted, 4-40 x .312"
26	70029-07	Screw, Pan Head Slotted, 4-40 x .437"	52	70179-04	Flatwasher, #4
27	10531	Switch			

<u>ITEM NO.</u>	<u>PART NO.</u>	<u>DESCRIPTION</u>
53	11634-XX	Motherboard Assembly (See Section 6-2)
54	16607-01	Card Cage Assembly
55	16663	Cable Clamp Assembly
56	16661	Restraining Cable

NOTE: Heatsink Assembly Options

- 1) Early Style with 11631-XX PCB Assembly:
 - 16712-00 Standard
 - 16712-01 Desk Top Interlock
- 2) Later Style with 11890-XX PCB Assembly:
 - 16939-00 Standard
 - 16939-01 Desk Top Interlock



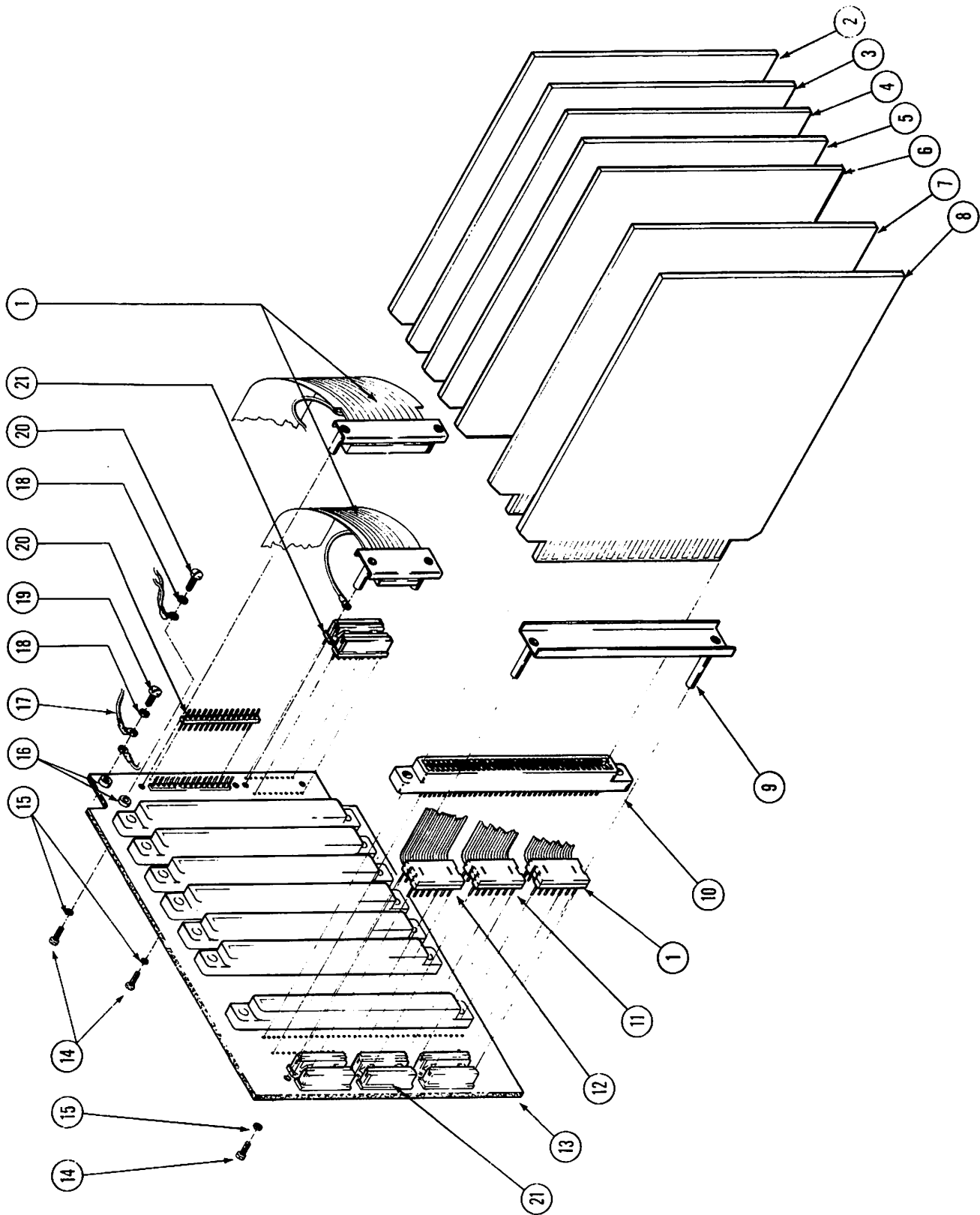


Figure 6-2
 MOTHERBOARD/HARNESS
 ASSEMBLIES

SECTION VI.2

MOTHERBOARD/HARNESS ASSEMBLIES

<u>ITEM NO.</u>	<u>PART NO.</u>	<u>DESCRIPTION</u>	<u>ITEM NO.</u>	<u>PART NO.</u>	<u>DESCRIPTION</u>
1	16880	Harness Assembly, Rack Mount			
	12001	Harness Assembly, Desk Top			
2	11404-XX	AL1-PCB Assembly (See Section VI.4)			
3	11407-XX	AL2-PCB Assembly (See Section VI.5)			
4	11633-XX	SO-PCB Assembly (See Section VI.6)			
5	11411-XX	SR-PCB Assembly (See Section VI.7)			
6	11471-XX	SL-PCB Assembly (See Section VI.8)			
7	11414-XX	OR-PCB Assembly (See Section VI.9a)			
	11873-XX	OR-PCB Assembly (See Section VI.9b)			
8	11613-XX	SD-PCB Assembly (See Section VI.10)			
9	16659	Clamp			
10	10522-10	PCB Connector			
11	11484-01	Flat Cable Assembly			
12	11484-02	Flat Cable Assembly			
13	11635	Motherboard Assembly			
14	70027-04	Screw, Pan Head Slotted, 2-56 x .250"			
15	70168-02	Lockwasher, #2			
16	70428-17	Stand-off, 4-40 Round			
17	11004-06	Ground Cable			
18	70168-04	Lockwasher, #4			
19	70029-04	Screw, Pan Head Slotted, 4-40 x .250"			
20	10877-17	Header Strip			
21	10596-01	I.C. Socket, 16-Pin			

SECTION VI.3a

HS PCB ASSEMBLY #11631-XXL
(See Note)

<u>LOCATION</u>	<u>PART NO.</u>	<u>DESCRIPTION</u>	<u>LOCATION</u>	<u>PART NO.</u>	<u>DESCRIPTION</u>
A5	10398	Transistor, MJE5194	A84	10026-27	Resistor, 2.7M 1/4W 5%
A7	10062-51	Capacitor, 510pF 500V	A86	10023-10	Resistor, 1K 1/4W 5%
A9	10002-01	Resistor 100 Ohm 1/8W 1%	A89	10051-10	Resistor, 10 Ohm 2W 5%
A10	10565-01	Wire Jumper, 26AWG Insulated	A90	10076-22	Capacitor, 2.2mFd 35V
A14	10024-47	Resistor, 47K 1/4W 5%	A92	10182	IC, 6030
A17	10398	Transistor, MJE5194	A94	10021-27	Resistor, 27 Ohm 1/4W 5%
A19	10062-51	Capacitor, 510pF 500V	A98	10399	Transistor, MJE5191
A22	10002-01	Resistor, 100 Ohm 1/4W 1%	B6	10033-10	Resistor, 1K 1/2W 5%
A23	10565-01	Wire Jumper, 26AWG Insulated	B7	10184-01	Diode, A15A
A28	10185	Triac, SC141B	B8	10183-02	Transistor, 2N5881
A33	10185	Triac, SC141B	B9	10160	Diode, 1N4454
A38	10398	Transistor, MJE5194	B10	10086-10	Capacitor, .1mFd 50V
A42	10062-51	Capacitor 510pF 500V	B12	10292	Transistor, MPS A06
A43	10002-01	Resistor, 100 Ohm 1/8W 1%	B14	10023-10	Resistor, 1K 1/4W 5%
A45	10565-01	Wire Jumper, 26AWG Insulated	B19	10033-10	Resistor, 1K 1/2W 5%
A49	10024-47	Resistor, 47K 1/4W 5%	B21	10183-02	Transistor, 2N5881
A52	10398	Transistor, MJE5194	B22	10184-01	Diode, A15A
A55	10062-51	Capacitor, 510pF 500V	B23	10160	Diode, 1N4454
A56	10002-01	Resistor, 100 Ohm 1/8W 1%	B24	10086-10	Capacitor, .1mFd 50V
A58	10565-01	Wire Jumper, 26AWG Insulated	B25	10292	Transistor, MPS A06
A62	10024-47	Resistor, 47K 1/4W 5%	B26	10024-47	Resistor, 47K 1/4W 5%
A68	10398	Transistor, MJE5194	B27	10023-10	Resistor, 1K 1/4W 5%
A71	10023-27	Resistor, 2.7K 1/4W 5%	B29	10042-47	Resistor, 470 Ohm 1W 5%
A72	10062-20	Capacitor, 200pF 500V	B33	10023-10	Resistor, 1K 1/4W 5%
A73	10002-01	Resistor, 100 Ohm 1/8W 1%	B35	10042-47	Resistor, 470 Ohm 1W 5%
A77	10023-22	Resistor, 2.2K 1/4W 5%	B36	10023-10	Resistor, 1K 1/4W 5%
A78	10085-33	Capacitor, .033mFd 50V	B40	10033-10	Resistor, 1K 1/2W 5%
A81	10004-02	Resistor, 10.2K 1/8W 1%	B42	10183-02	Transistor, 2N5881
A82	10086-10	Capacitor, .1mFd 50V	B43	10184-01	Diode, A15A
A83	10083-47	Capacitor, .0047mFd 100V	B44	10160	Diode, 1N4454
	10025-15	Resistor, 150K 1/4W 5%			

LOCATION	PART NO.	DESCRIPTION
B46	10292	Transistor, MPS A06
B47	10086-10	Capacitor, .1mFd 50V
B49	10023-10	Resistor, 1K 1/4W 5%
B53	10033-10	Resistor, 1K 1/2W 5%
B54	10184-01	Diode, A15A
B55	10183-02	Transistor, 2N5881
B56	10160	Diode, 1N4454
B57	10086-10	Capacitor, .1mFd 50V
B58	10292	Transistor, MPS A06
B66	10023-10	Resistor, 1K 1/4W 5%
B70	10033-10	Resistor, 1K 1/2W 5%
B72	10183-02	Transistor, 2N5881
B73	10184-01	Diode, A15A
B77	10292	Transistor, MPS A06
B79	10032-68	Resistor, 680 Ohm 1/2W 5%
B81	10062-30	Capacitor, 300pF 500V
B82	10164	IC, 72558/1458
B87	10003-59	Resistor, 4.02K 1/8W 1%
B88	10004-61	Resistor, 42.2K 1/8W 1%
B89	10023-39	Resistor, 3.9K 1/4W 5%
B90	10160	Diode, 1N4454
B91	10086-10	Capacitor, .1mFd 50V
B92	10003-66	Resistor, 4.75K 1/8W 1%
B93	10003-34	Resistor, 2.21K 1/8W 1%
B94	-----	Resistor, (test select)
B95	10071-47	Capacitor, .047mFd 200V
B101	10023-15	Resistor, 1.5K 1/4W 5%
B103	-----	Resistor (test select)
B105	10003-69	Resistor, 5.11K 1/8W 1%
B106	10101-01	Diode, A14A
B108	10077-12	Capacitor, 12mFd 20V
D1	10023-10	Resistor, 1K 1/4W 5%
D6	10033-10	Resistor, 1K 1/2W 5%
D9	10002-01	Resistor, 100 Ohm 1/8W 1%

LOCATION	PART NO.	DESCRIPTION
D12	10291	Transistor, MPS A56
D19	10033-10	Resistor, 1K 1/2W 5%
D22	10002-01	Resistor, 100 Ohm 1/8 W 1%
D25	10291	Transistor, MPS A56
D28	10160	Diode, 1N4454
D29	10160	Diode, 1N4454
D30	10033-47	Resistor, 4.7K 1/2W 5%
D31	10160	Diode, 1N4454
D32	10160	Diode, 1N4454
D41	10033-10	Resistor, 1K 1/2W 5%
D43	10002-01	Resistor, 100 Ohm 1/8W 1%
D46	10291	Transistor, MPS A56
D54	10033-10	Resistor, 1K 1/2W 5%
D56	10002-01	Resistor, 100 Ohm 1/8W 1%
D59	10291	Transistor, MPS A56
D71	10033-10	Resistor, 1K 1/2W 5%
D74	10291	Transistor, MPS A56
D81	10032-30	Resistor, 300 Ohm 1/2W 5%
D84	10059-02	Resistor, .2 Ohm 10W 1%
D87	10160	Diode, 1N4454
D88	10160	Diode, 1N4454
D89	10024-27	Resistor, 27K 1/4W 5%
D90	10023-15	Resistor, 1.5K 1/4W 5%
D91	10023-15	Resistor, 1.5K 1/4W 5%
D92	10024-27	Resistor, 27K 1/4W 5%
D95	10051-10	Resistor, 10 Ohm 2W 5%
D103	10023-15	Resistor, 1.5K 1/4W 5%
D105	10160	Diode, 1N4454
D106	10101-01	Diode, A14A
D108	10077-12	Capacitor, 12mFd 20V
E1	10023-10	Resistor, 1K 1/4W 5%
E5	10399	Transistor, MJE5191
E6	10062-51	Capacitor, 510pF 500V
E8	10183-01	Transistor, 2N5879

LOCATION	PART NO.	DESCRIPTION
E9	10184-01	Diode, A15A
E10	-----	(not used)
E12	-----	(not used)
E14	10023-10	Resistor, 1K 1/4W 5%
E15	10023-27	Resistor, 2.7K 1/4W 5%
E17	10399	Transistor, MJE5191
E19	10184-01	Diode, A15A
E20	10062-51	Capacitor, 510pF 500V
E21	10183-01	Transistor, 2N5879
E23	-----	(not used)
E25	-----	(not used)
E27	10024-10	Resistor, 10K 1/4W 5%
E28	10024-10	Resistor, 10K 1/4W 5%
	10086-10	Capacitor, .1mFd 50V
E30	10160	Diode, 1N4454
E31	10033-47	Resistor, 4.7K 1/2W 5%
E32	10160	Diode, 1N4454
E33	10024-10	Resistor, 10K 1/4W 5%
E34	10024-10	Resistor, 10K 1/4W 5%
	10086-10	Capacitor, .1mFd 50V
E35	10023-10	Resistor, 1K 1/4W 5%
E38	10399	Transistor, MJE5191
E41	10062-51	Capacitor, 510pF 500V
E42	10183-01	Transistor, 2N5879
E43	10184-01	Diode, A15A
E46	-----	(not used)
E48	10023-10	Resistor, 1K 1/4W 5%
E52	10399	Transistor, MJE5191
E54	10062-51	Capacitor, 510pF 500V
E55	10183-01	Transistor, 2N5879
E56	10184-01	Diode, A15A
E58	-----	(not used)
E59	-----	(not used)
E64	10023-10	Transistor, 2N5879

LOCATION	PART NO.	DESCRIPTION
E68	10399	Transistor, MJE5191
E71	10062-20	Capacitor, 200pF 500V
E72	10183-01	Transistor, 2N5879
E75	10184-01	Diode, A15A
E76	10002-01	Resistor, 100 Ohm 1/8W 1%
E80	10024-27	Resistor, 27K 1/4W 5%
E81	10003-01	Resistor, 1K 1/8W 1%
E88	10164	IC, 72558/1458
E98	10398	Transistor, MJE5194
E99	10105	Transistor, 2N3644
E101	10023-15	Resistor, 1.5K 1/4W 5%
E103	10070-10	Capacitor, .001mFd 200V
E105	10105	Transistor, 2N3644
E106	10105	Transistor, 2N3644
E108	10003-66	Resistor, 4.75K 1/8W 1%
H15	10646	Socket, P.C. Lead Mount
H25	10023-27	Resistor, 2.7K 1/4W 5%
H32	10026-43	Resistor, 4.3M 1/4W 5%
H46	10023-27	Resistor, 2.7K 1/4W 5%
H52	10023-27	Resistor, 2.7K 1/4W 5%
H59	10079-10	Capacitor, 1mFd 35V TA
H61	10097-27	Inductor, 27uH
H62	10022-22	Resistor, 220 Ohm 1/4W 5%
H64	10101-01	Diode, A14A
H65	10023-10	Resistor, 1K 1/4W 5%
H67	10097-27	Inductor, 27uH
H68	10022-22	Resistor, 220 Ohm 1/4W 5%
H70	10101-01	Diode, A14A
H71	10023-10	Resistor, 1K 1/4W 5%
H73	10079-10	Capacitor, 1mFd 35V TA
H75	10023-10	Resistor, 1K 1/4W 5%
H77	10160	Diode, 1N4454
H78	10101-01	Diode, A14A
H80	10070-10	Capacitor, .001mFd 200V

LOCATION	PART NO.	DESCRIPTION
----------	----------	-------------

H81	10002-01	Resistor, 100 Ohm 1/8W 1%
H87	10023-56	Resistor, 5.6K 1/4W 5%
H88	10086-10	Capacitor, .1mFd 50V
H90	10024-10	Resistor, 10K 1/4W 5%
H98	10160	Diode, 1N4454
H99	10070-10	Capacitor, .001mFd 200V
H101	10041-56	Resistor, 56 Ohm 1W 5%
H103	10101-01	Diode, A14A
H105	10024-22	Resistor, 22K 1/4W 5%
H106	10002-01	Resistor, 100 Ohm 1/8W 1%
H107	10101-00	Diode, A14F
J15	10646	Socket, PC Lead Mount
J65	10398	Transistor, MJE5194
J70	10399	Transistor, MJE5191
J75	10399	Transistor, MJE5191
J80	10399	Transistor, MJE5191
J83	10181	IC, 75451
J85	10033-15	Resistor, 1.5K 1/2W 5%
J86	10023-47	Resistor, 4.7K 1/4W 5%
J87	10101-01	Diode, A14A
J88	10160	Diode, 1N4454
J89	10024-22	Resistor, 22K 1/4W 5%
J90	10024-22	Resistor, 22K 1/4W 5%
J91	10306	IC, 75452
J92	10041-56	Resistor, 56 Ohm 1W 5%
J94	10101-01	Diode, A14A
J97	10399	Transistor, MJE5191
J102	10399	Transistor, MJE5191
J107	10399	Transistor, MJE5191
J112	10399	Transistor, MJE5191

NOTE: HS - PCB Options

11631-00 Standard

11631-01 Desk Top Interlock

SECTION VI.3b

HS PCB ASSEMBLY #11890-XXF
(See Note)

LOCATION	PART NO.	DESCRIPTION	LOCATION	PART NO.	DESCRIPTION
A5	10033-10	Resistor, 1K 1/2W 5%	A87	10024-22	Resistor, 22K 1/4W 5%
A6	10023-10	Resistor, 1K 1/4W 5%	A88	10024-47	Resistor, 47K 1/4W 5%
A9	10105	Transistor, 2N3644	A89	10086-10	Capacitor, .1mFd 50V
A11	10025-22	Resistor, 220K 1/4W 5%	A90	10024-22	Resistor, 22K 1/4W 5%
A12	10252-34	Resistor, 221 Ohm 1/4W 1%	A92	10118	Transistor, U1898
A14	10252-25	Resistor, 178 Ohm 1/4W 1%	A99	10023-10	Resistor, 1K 1/4W 5%
A16	10292	Transistor, PN5858	A100	10022-22	Resistor, 220 Ohm 1/4W 5%
A20	10260	Diode, 1N4607	A103	10097-27	Inductor, 27 uH 10%
A21	10024-10	Resistor, 10K 1/4W 5%	A104	10101-01	Diode, A14A
A23	10033-10	Resistor, 1K 1/2W 5%	A105	10398	Transistor, MJE5194
A24	10023-10	Resistor, 1K 1/4W 5%	B9	10062-51	Capacitor, 510pF 500V
A27	10105	Transistor, 2N3644	B13	10480	Transistor, 2N6050
A42	10105	Transistor, 2N3644	B16	10002-21	Resistor, 162 Ohm 1/8W 1%
A43	10023-10	Resistor, 1K 1/4W 5%	B19	10260	Diode, 1N4607
A45	10033-10	Resistor, 1K 1/2W 5%	B27	10480	Transistor, 2N6050
A47	10024-10	Resistor, 10K 1/4W 5%	B34	10240-18	Resistor, .18 Ohm 5W 10%
A48	10260	Diode, 1N4607	B39	10240-18	Resistor, .18 Ohm 5W 10%
A51	10292	Transistor, PN5858	B47	10480	Transistor, 2N6050
A54	10252-25	Resistor, 178 Ohm 1/4W 1%	B51	10260	Diode, 1N4607
A56	10252-34	Resistor, 221 Ohm 1/4W 1%	B53	10002-21	Resistor, 162 Ohm 1/8W 1%
A58	10025-22	Resistor, 220K 1/4W 5%	B57	10062-51	Capacitor, 510pF 500V
A59	10105	Transistor, 2N3644	B62	10480	Transistor, 2N6050
A62	10023-10	Resistor, 1K 1/4W 5%	B64	10109	Transistor, 2N3643
A63	10033-10	Resistor, 1K 1/2W 5%	B66	10160	Diode, 1N4454
A73	10032-30	Resistor, 330 Ohm 1/2W 5%	B67	10086-10	Capacitor .1mFd 50V
A77	10062-20	Capacitor, 200pF 500V	B74	10023-10	Resistor, 1K 1/4W 5%
A78	10062-30	Capacitor, 300pF 500V	B75	10033-10	Resistor, 1K 1/2W 5%
A79	10032-68	Resistor, 680 Ohm 1/2W 5%	B77	10033-10	Resistor, 1K 1/2W 5%
A84	10160	Diode, 1N4454	B78	10480	Transistor, 2N6050
A86	10160	Diode, 1N4454	B79	10109	Transistor, 2N3643

LOCATION	PART NO.	DESCRIPTION
B82	10085-33	Capacitor, .033mFd 50V
B83	10023-27	Resistor, 2.7K 1/4W 5%
B89	10023-22	Resistor, 2.2K 1/4W 5%
B90	10025-10	Resistor, 100K 1/4W 5%
B91	10026-27	Resistor, 2.7M 1/4W 5%
B92	10105	Transistor, 2N3644
B93	10004-02	Resistor, 10.2K 1/8W 1%
B94	10023-10	Resistor, 1K 1/4W 5%
B95	10160	Diode, 1N4454
B96	10086-10	Capacitor, .1mFd 50V
B97	10626-00	Switch, T8601
B99	10023-10	Resistor, 1K 1/4W 5%
B102	10097-27	Inductor, 27uH 10%
B103	10079-10	Capacitor 1mFd 35V
B104	10079-10	Transistor, MJE5191
E6	10033-10	Resistor, 1K 1/2W 5%
E7	10023-10	Resistor, 1K 1/4W 5%
E10	10109	Transistor, 2N3643
E12	10240-15	Resistor, .15 Ohm 5W 10%
E13	10025-22	Resistor, 220K 1/4W 5%
E14	10291	Transistor, PN5857
E15	10252-34	Resistor, 221 Ohm 1/4W 1%
E17	10002-21	Resistor, 162 Ohm 1/8W 1%
E20	10252-25	Resistor, 178 Ohm 1/4W 1%
E23	10024-10	Resistor, 10K 1/4W 5%
E24	10033-10	Resistor, 1K 1/2W 5%
E25	10240-15	Resistor, .15 Ohm 5W 10%
E26	10023-10	Resistor, 1K 1/4W 5%
E27	10109	Transistor, 2N3643
E35	10160	Diode, 1N4454
E36	10109	Transistor, 2N3643
E37	10086-10	Capacitor, .1mFd 50V
E38	10160	Diode, 1N4454
E39	10024-47	Resistor, 47K 1/4W 5%

LOCATION	PART NO.	DESCRIPTION
E40	10105	Transistor, 2N3644
E41	10023-27	Resistor, 2.7K 1/4W 5%
E43	10033-10	Resistor, 1K 1/2W 5%
E46	10240-15	Resistor, .15 Ohm 5W 10%
E47	10024-10	Resistor, 10K 1/4W 5%
E48	10448	Capacitor, 50mFd 50V
E52	10252-25	Resistor, 178 Ohm 1/4W 1%
E54	10002-21	Resistor, 162 Ohm 1/8W 1%
E55	10025-22	Resistor, 220K 1/4W 5%
E56	10291	Transistor, PN5857
E57	10109	Transistor, 2N3643
E59	10240-15	Resistor, .15 Ohm 5W 10%
E61	10023-10	Resistor, 1K 1/4W 5%
E63	10033-10	Resistor, 1K 1/2W 5%
E64	10105	Transistor, 2N3644
E66	10024-47	Resistor, 47K 1/4W 5%
E67	10023-27	Resistor, 2.7K 1/4W 5%
E68	10160	Diode, 1N4454
E73	10025-10	Resistor, 100K 1/4W 5%
E74	10025-10	Resistor, 100K 1/4W 5%
E78	10062-20	Capacitor, 200pF 500V
E80	10023-10	Resistor, 1K 1/4W 5%
E82	10105	Transistor, 2N3644
E86	10059-02	Resistor, .2 Ohm 10W 1%
E89	10083-47	Capacitor, .0047mFd 100V
E90	10071-10	Capacitor, .01mFd 200V
E91	10003-01	Resistor, 1K 1/8W 1%
E92	10004-61	Resistor, 42.2K 1/8W 1%
E94	10003-59	Resistor, 4.02K 1/8 1%
E95	10024-10	Resistor, 10K 1/4W 5%
E97	10164	IC, 1458
E99	10024-10	Resistor, 10K 1/4W 5%
E100	10160	Diode, 1N4454
E102	10086-10	Capacitor, .1mFd 50V

LOCATION	PART NO.	DESCRIPTION
E103	10024-10	Resistor, 10K 1/4W 5%
E104	10022-22	Resistor, 220 Ohm 1/4W 5%
E105	10101-01	Diode, Al4A
E106	10024-10	Resistor, 10K 1/4W 5%
E107	10383	Transistor, MJE2090
H6	10109	Transistor, 2N3643
H9	10105	Transistor, 2N3644
H10	10062-51	Capacitor, 510pF 500V
H14	10479	Transistor, 2N6057
H17	10109	Transistor, 2N3643
H19	10348	IC 555
H24	10086-10	Capacitor, .1mFd 50V
H25	10077-10	Capacitor, 10mFd 20V
H26	10105	Transistor, 2N3644
H27	10026-15	Resistor, 1.5M 1/4W 5%
H28	10479	Transistor, 2N6057
H33	10033-15	Resistor, 1.5K 1/2W 5%
H34	10022-39	Resistor, 390 Ohm 1/4W 5%
H37	10086-10	Capacitor, .1mFd 50V
H38	10024-10	Resistor, 10K 1/4W 5%
H39	10160	Diode, 1N4454
H44	10109	Transistor, 2N3643
H46	10023-10	Resistor, 1K 1/4W 5%
H47	10479	Transistor, 2N6057
H48	10448	Capacitor, 50mFd 50V
H53	10252-34	Resistor, 221 Ohm 1/4W 1%
H58	10062-51	Capacitor, 510pF 500V
H62	10479	Transistor, 2N6057
H69	10160	Diode, 1N4454
H70	10160	Diode, 1N4454
H73	10164	IC, 1458
H76	10026-27	Resistor, 2.7M 1/4W 5%
H78	10026-27	Resistor, 2.7M 1/4W 5%
H79	10479	Transistor, 2N6057

LOCATION	PART NO.	DESCRIPTION
H90	10025-10	Resistor, 100K 1/4W 5%
H91	10086-47	Capacitor, .47mFd 50V
H93	10101-01	Diode, Al4A
H97	10181	IC, 75451
H98	10024-10	Resistor, 10K 1/4W 5%
H101	10023-10	Resistor, 1K 1/4W 5%
H102	10023-15	Resistor, 1.5K 1/4W 5%
H103	10101-01	Diode, Al4A
H104	10101	Diode, Al4F
H105	10383	Transistor, MJE2090
H106	10384	Transistor, MJE2100
J5	10160	Diode, 1N4454
J7	10086-10	Capacitor, .1mFd 50V
J8	10160	Diode, 1N4454
J11	10024-47	Resistor, 47K 1/4W 5%
J12	10023-27	Resistor, 2.7K 1/4W 5%
J16	10024-75	Resistor, 75K 1/4W 5%
J17	10024-10	Resistor, 10K 1/4W 5%
J84	10086-10	Capacitor, .1mFd 50F
J90	10086-10	Capacitor, .1mFd 50V
J93	10033-15	Resistor, 1.5K 1/2W 5%
J97	10306	IC, 75452
J102	10023-10	Resistor, 1K 1/4W 5%
J105	10398	Transistor, MJE5194
J106	10399	Transistor, MJE5191
K9	10160	Diode, 1N4454
K11	10086-10	Capacitor, .1mFd 50V
K13	10160	Diode, 1N4454
K15	10024-47	Resistor, 47K 1/4W 5%
K16	10023-27	Resistor, 2.7K 1/4W 5%
K59	10076-68	Capacitor, 6.8mFd 35V
K60	10083-47	Capacitor, .0047mFd 100V
K61	10083-47	Capacitor, .0047mFd 100V
K62	10076-68	Capacitor, 6.8mFd 35V

LOCATION PART NO. DESCRIPTION

K63 10021-47 Resistor, 47 Ohm 1/4W 5%
K64 10021-47 Resistor, 47 Ohm 1/4W 5%
K66 10489 IC 1468
K73 10030-11 Resistor, 1.1 Ohm 1/2W 5%
K76 10030-11 Resistor, 1.1 Ohm 1/2W 5%
K77 ----- Resistor (test select)
K78 ----- Resistor (test select)
K79 ----- (not used)
K80 ----- Resistor (test select)
K81 ----- Resistor (test select)
K82 ----- (not used)
K83 10077-12 Capacitor, 12mFd 20V
K87 10101-01 Diode, A14A
K89 10077-12 Capacitor, 12mFd 20V
K90 10101-01 Diode, A14A
K91
thru ----- (not used)
K105
P1A 10882-16 Socket, 16-pin
P2A 10882-16 Socket, 16-pin
TB1 10781-16 Terminal Block, PC Mount
R1 10564-24 Wire, 24AWG (-01 only)
TP1 10500 Terminal, Test-point
TP2 10500 Terminal, Test-point
TP3 10500 Terminal, Test-point

NOTE: HS PCB Assembly Options

11890-00 Standard
11890-01 Interlock Option

LOCATION PART NO. DESCRIPTION

SECTION VI.4

ALL - PCB Assembly #11404-XX F
(See Note)

LOCATION	PART NO.	DESCRIPTION	LOCATION	PART NO.	DESCRIPTION
A3	10134	IC, 7400	D37	10095-01	Capacitor, .1mFd 10V
A12	10095-01	Capacitor, .1mFd 10V	D39	10128	IC, 936
A13	10062-47	Capacitor, 470pF 500V	D47	10062-47	Capacitor, .0047mFd Mylar
A15	10140	IC, 7483	D51	10144	IC, 380
A24	10062-47	Capacitor, 470pF 500V	E3	-----	(not used)
A27	10596-00	Socket, 14-pin	E15	10144	IC, 380
A35	10070-47	Capacitor, .0047mFd Mylar	E27	10308	IC, 7437
A37	10070-10	Capacitor, .001mFd Mylar	E39	10138	IC, 7476
A39	10134	IC, 7400	E48	10095-01	Capacitor, .1mFd 10V
A49	10095-01	Capacitor, .1mFd 10V	E50	10023-10	Resistor, 1K 1/4W 5%
A51	10127	IC, 930	E51	10023-62	Resistor, 6.2K 1/4W 5%
B3	10144	IC, 380	E52	10094-10	Capacitor, .01mFd 25V
B15	10137	IC, 7475	E53	10023-62	Resistor, 6.2K 1/4W 5%
B27	10136	IC, 7404	E54	10094-10	Capacitor, .01mFd 25V
B39	10139	IC, 7474	E55	10023-62	Resistor, 6.2K 1/4W 5%
B47	10070-47	Capacitor, .0047mFd Mylar	E56	10094-10	Capacitor, .01mFd 25B
B49	10070-10	Capacitor, .001mFd Mylar	E57	10023-62	Resistor, 6.2K 1/4W 5%
B51	10134	IC, 7400	E58	10094-10	Capacitor, .01mFd 25V
D1	10097-01	Inductor, 1uH	F1	10067-10	Capacitor, 10mFd 25V
D3	10564-22	Wire, Buss, 22AWG (-20, -21 only)	F3	10160	Diode, 1N4454
	10568-22	Sleeve, Teflon, 22AWG (-20, -21 only)	F4	10160	Diode, 1N4454
D5	10160	Diode, 1N4454	F6	10160	Diode, 1N4454
D6	10160	Diode, 1N4454	F7	10160	Diode, 1N4454
D8	10160	Diode, 1N4454	F8	10160	Diode, 1N4454
D9	10160	Diode, 1N4454	F9	10160	Diode, 1N4454
D10	10160	Diode, 1N4454	F10	-----	(not used)
D11	10023-10	Resistor, 1K 1/4W 5%	F11	10095-01	Capacitor, .1mFd 10V
D15	10133	IC, 7410	F13	10062-51	Capacitor, 510pF 500V
D27	10125	IC, 7420	F15	10134	IC, 7400
			F24	10070-10	Capacitor, .001mFd Mylar

LOCATION	PART NO.	DESCRIPTION
F27	10154	IC, 74193
F35	10021-47	Resistor, 47 Ohm 1/4W 5%
F39	10128	IC, 936
F46	10023-10	Resistor, 1K 1/4W 5%
F48	10070-10	Capacitor, .001mFd Mylar
F51	100144	IC 380
H3	10144	IC, 380
H13	10024-10	Resistor, 10K 1/4W 5%
H15	10137	IC, 7475
H27	10154	IC, 74193
H36	10022-10	Resistor, 100 Ohm 1/4W
H39	10145	IC, 74123
H49	10023-20	Resistor, 2K 1/4W 5%
H51	10134	IC, 7400
J3	10132	IC, 15858
J12	10024-10	Resistor, 10K 1/4W 5%
J13	10023-10	Resistor, 1K 1/4W 5%
J14	10024-10	Resistor, 10K 1/4W 5%
J15	10140	IC, 7483
J27	10596-00	Socket, 14-pin
J36	10095-01	Capacitor, .1mFd 10V
J39	10070-33	Capacitor, .0033mFd (-01, -21 only)
	10062-27	Capacitor 270pF 500V (-00, -20 only)
J41	10024-33	Resistor, 33K 1/4W 5% (-01, -21 only)
	10023-51	Resistor, 5.1K 1/4W 5% (-00, -20 only)
J44	10070-10	Capacitor, .001mFd (-01, 021 only)
	10062-30	Capacitor, 300pF 500V (-00, -20 only)
J45	10024-15	Resistor, 15K 1/4W 5% (-01, -21 only)
	10024-10	Resistor, 10K 1/4W 5% (-00, -20 only)
J49	10095-01	Capacitor, .1mFd 10V

LOCATION	PART NO.	DESCRIPTION
J51	10134	IC, 7400
NOTE: All PCB Assembly Options		
	11404-00	- 100TPI Standard
	11404-01	- 100TPI Series 30 Compatible
	11404-20	- 200TPI Standard
	11404-21	- 200TPI Series 30 Compatible

SECTION VI.5

AL2 PCB Assembly #11407-XX G
(See Note)

LOCATION	PART NO.	DESCRIPTION	LOCATION	PART NO.	DESCRIPTION
A3	10136	IC, 7404	E42	10024-10	Resistor, 10K 1/4W 5%
A13	10095-01	Capacitor, .1mFd 10V	E45	10023-47	Resistor, 4.7K 1/4W 5%
A15	-----	(not used)	E49	10095-01	Capacitor, .1mFd 10V
A25	10095-01	Capacitor, .1mFd 10V	E51	-----	(test select)
A27	-----	(not used)	E52	10004-58	Resistor, 39.2K 1/8W 1%
A37	10095-01	Capacitor, .1mFd 10V	E53	10160	Diode, 1N4454
A39	10136	IC, 7404	F1	10067-10	Capacitor, 10mFd 25V
A49	10095-01	Capacitor, .1mFd 10V	F3	10120	IC, 7426
A51	10125	IC, 7420	F13	10062-10	Capacitor, 100pF 500V
B3	10157	IC, 9322/8322/74157	F15	10128	IC, 836
B15	10134	IC, 7400	F27	10120	IC, 7426
B23	10022-47	Resistor, 470 Ohm 1/4W 5%	F39	10157	IC, 9322/8322/74157
B25	10023-47	Resistor, 4.7K 1/4W 5%	F50	10145	IC, 74123
B27	10134	IC, 7400	H3	10157	IC, 9322/8322/74157
B39	10132	IC, 858	H15	10134	IC, 7400
B51	10138	IC, 7476	H27	10119	IC, 7408
D1	10097-01	Inductor, 1uH	H39	10157	IC, 9322/8322/74157
D3	10120	IC, 7426	H49	10076-22	Capacitor, 2.2mFd 35V TA
D15	10136	IC, 7404	H51	10119	IC, 7408
D25	10160	Diode, 1N4454	J3	10136	IC, 7404
D27	10131	IC, 862	J13	10095-01	Capacitor, .1mFd 10V
D37	10021-47	Resistor, 47 Ohm 1/4W 5%	J15	10134	IC, 7400
D39	10144	IC, 380	J24	10095-01	Capacitor, .1mFd 10V
D56	10423-47	Capacitor, .47mFd 50V	J27	10128	IC, 836
E13	10095-01	Capacitor, .1mFd 10V	J37	10095-01	Capacitor, .1mFd 10V
E15	10596-00	Socket Assembly, 14-pin	J39	10120	IC, 7426
E25	10095-01	Capacitor, .1mFd 10V	J50	10095-01	Capacitor, .1mFd 10V
E27	10120	IC, 7426	J51	10024-20	Resistor, 20K 1/4W 5%
E37	10095-01	Capacitor, .1mFd 10V	J52	10160	Diode, 1N4454
E39	10023-47	Resistor, 4.7K 1/4W 5%	J53	10023-10	Resistor, 1K 1/4W 5%

<u>LOCATION</u>	<u>PART NO.</u>	<u>DESCRIPTION</u>
J54	10021-10	Resistor, 10 Ohm 1/4W 5% (-20 only)
J55	10021-10	Resistor, 10 Ohm 1/4W 5% (-00 only)
J56	10021-10	Resistor, 10 Ohm 1/4W 5% (-20 only)
J57	10021-10	Resistor, 10 Ohm 1/4W 5% (-00 only)

NOTE: AL2 PCB Options

11404-00 - 100TPI
11407-20 - 200TPI

SECTION VI.6

SO PCB Assembly #11633-XX C
(See Note)

LOCATION	PART NO.	DESCRIPTION	LOCATION	PART NO.	DESCRIPTION
A1	10067-10	Capacitor, 10mFd 25V	B5	10032-33	Resistor, 330 Ohm 1/2W 5%
A3	10070-10	Capacitor, .001mFd 200V	B6	10032-33	Resistor, 330 Ohm 1/2W 5%
A5	10022-62	Resistor, 620 Ohm 1/4W 5%	B8	10470	Diode, 6.2V Zener, 1/2W 2%
A6	10022-62	Resistor, 620 Ohm 1/4W 5%	B10	10077-12	Capacitor, 12mFd 20V TA
A8	10062-10	Capacitor, 100pF 500V	B13	-----	Resistor, (test select)
A9	10023-47	Resistor, 4.7K 1/4W 5%	B14	10022-51	Resistor, 510 Ohm 1/4W 5%
A10	10023-47	Resistor, 4.7K 1/4W 5%	B16	10079-10	Capacitor, 1mFd 35V
A13	10124	IC, 5733	B17	10070-47	Capacitor, .0047mFd 200V
A20	10062-75	Capacitor, 750pF 500V	B19	10022-62	Resistor, 620 Ohm 1/4W 5%
A23	10320	IC, 1496	B21	10070-47	Capacitor, .0047mFd 200V
A29	10086-10	Capacitor, .1mFd 50V	B22	10022-62	Resistor, 620 Ohm 1/4W 5%
A30	-----	Resistor (test select)	B23	-----	(not used)
A31	-----	Resistor (test select)	B24	10023-10	Resistor, 1K 1/4W 5%
A32	10003-68	Resistor, 4.99K 1/8W 1%	B26	10024-13	Resistor, 13K 1/4W 5%
A34	10003-68	Resistor, 4.99K 1/8W 1%	B27	-----	(not used)
A35	10070-56	Capacitor, .0056mFd 200V	B28	10022-62	Resistor, 620 Ohm 1/4W 5%
A37	10004-41	Resistor, 26.1K 1/8W 1%	B30	10070-47	Capacitor, .0047mFd 200V
A38	10004-41	Resistor, 26.1K 1/8W 1%	B31	10005-61	Resistor, 422K 1/8W 1%
A39	10005-61	Resistor, 422K 1/8W 1%	B32	10004-41	Resistor, 26.1K 1/8W 1%
A40	10005-61	Resistor, 422K 1/8W 1%	B34	10164	IC, 1458/5558/72558
A41	-----	(not used)	B39	10004-41	Resistor, 26.1K 1/8W 1%
A42	-----	(not used)	B40	10005-61	Resistor, 422K 1/8W 1%
A43	10003-69	Resistor, 5.11K 1/8W 1%	B41	-----	(not used)
A45	10005-26	Resistor, 182K 1/8W 1%	B42	-----	(not used)
A46	10005-69	Resistor, 511K 1/8W 1%	B43	10003-69	Resistor, 5.11K 1/8W 1%
A48	10190	IC, FET Multi-package	B47	10636-02	IC, Resistor Network
A50	10005-50	Resistor, 324K 1/8W 1%	D1	10097-21	Inductor, 27uH
A51	10005-12	Resistor, 130K 1/8W 1%	D3	10097-01	Inductor, 1uH
A57	10026-10	Resistor, 1M 1/4W 5%	D45	10006-12	Resistor, 1.3M 1/4W 1%
A58	10026-10	Resistor, 1M 1/4W 5%	D46	10006-05	Resistor, 1.1M 1/4W 1%

LOCATION	PART NO.	DESCRIPTION
D48	10190	IC, FET Multi-package
D50	10005-69	Resistor, 681K 1/8W 1%
D51	10006-05	Resistor, 1.1M 1/4W 1%
D58	10074-10	Capacitor, .01mFd 33V
E5	10070-10	Capacitor, .001mFd 200V
E6	10032-33	Resistor, 330 Ohm 1/2W 5%
E8	10032-33	Resistor, 330 Ohm 1/2W 5%
E9	10470	Diode, 6.2V Zener, 1/2W 2%
E11	10077-12	Capacitor, 12mFd 20V TA
E13	-----	Resistor, (test select)
E14	10022-51	Resistor, 510 Ohm 1/4W 5%
E16	10079-10	Capacitor, 1mFd 35V
E18	10070-47	Capacitor, .0047mFd 200V
E19	10070-47	Capacitor, .0047mFd 200V
E21	10023-22	Resistor, 2.2K 1/4W 5%
E22	10023-12	Resistor, 1.2K 1/4W 5%
E23	10077-12	Capacitor, 12mFd 20V TA
E25	10023-10	Resistor, 1K 1/4W 5%
E26	10086-10	Capacitor, .1mFd 50V
E27	10022-62	Resistor, 620 Ohm 1/4W 5%
E28	10024-13	Resistor, 13K 1/4W 5%
E29	-----	Resistor (test select)
E30	-----	Resistor (test select)
E31	10003-68	Resistor, 4.99K 1/8W 1%
E33	10003-68	Resistor, 4.99K 1/8W 1%
E34	10070-56	Capacitor, .0056mFd 200V
E35	10004-41	Resistor, 26.1K 1/8W 1%
E36	10005-61	Resistor, 422K 1/8W 1%
E37	10003-01	Resistor, 1K 1/8W 1% (-00 only)
	10086-47	Capacitor, .47mFd 50 V (-20 only)
E38	10006-09	Resistor, 1.21M 1/4W 1%
E39	10004-41	Resistor, 26.1K 1/8W 1%
E40	10005-61	Resistor, 422K 1/8W 1%

LOCATION	PART NO.	DESCRIPTION
E41	-----	Resistor, (test select)
E42	-----	Resistor, (test select)
E43	10003-69	Resistor, 5.11K 1.8W 1%
E48	10636-01	IC, Resistor Network
E56	10062-51	Capacitor, 510pF 500V
F1	10097-21	Inductor, 27uH
F3	10067-10	Capacitor, 10mFd 25V
F5	10022-62	Resistor, 620 Ohm 1/4W 5%
F6	10022-62	Resistor, 620 Ohm 1/4W 5%
F8	10062-10	Capacitor, 100pF 500V
F9	10023-47	Resistor, 4.7K 1/4W 5%
F10	10023-47	Resistor, 4.7 1/4W 5%
F12	10124	IC, 5733
F20	10062-75	Capacitor, 750pF 500V
F21	10022-62	Resistor, 620 Ohm 1/4W 5%
F23	10320	IC, 1496
F31	10005-61	Resistor, 422K 1/8W 1%
F33	10004-41	Resistor, 26.1K 1/8W 1%
F34	10164	IC, 1458/5558/72558
F39	10004-41	Resistor, 26.1K 1/8W 1%
F40	10005-61	Resistor, 422K 1/8W 1%
F41	-----	Resistor, (test select)
F42	-----	Resistor, (test select)
F43	10062-51	Capacitor, 510pF 500V
F44	10003-69	Resistor, 5.11K 1/8W 1%
F45	10074-10	Capacitor, .01mFd 33V
F48	10190	IC, FET Multi-package
F58	10074-10	Capacitor, .01mFd 33V
H41	-----	Resistor, (test select)
H47	10636-02	IC, Resistor Network
H48	10190	IC, FET Multi-package
H55	10062-51	Capacitor, 510pF 500V
H56	10026-10	Resistor, 1M 1/4W 5%
H57	10026-10	Resistor, 1M 1/4W 5%

LOCATION	PART NO.	DESCRIPTION
H58	10062-51	Capacitor, 510pF 500V
J1	10067-10	Capacitor, 10mFd 25V
J6	10180	Transistor, P1086
J7	10026-10	Resistor, 1M 1/4W 5%
J8	10023-10	Resistor, 1K 1/4W 5%
J9	10004-92	Resistor, 88.7K 1/8W 1%
J10	10004-01	Resistor, 10K 1/8W 1%
J11	10023-10	Resistor, 1K 1/4W 5%
J12	10003-18	Resistor, 1.5K 1/8W 1%
J13	10021-47	Resistor, 47 Ohm 1/4W 5%
J14	10003-18	Resistor, 1.5K 1/8W 1%
J16	10164	IC, 1458/5558/72558
J21	10070-10	Capacitor, .001mFd 200V
J22	10022-20	Resistor, 200 Ohm 1/4W 5%
J23	10005-39	Resistor, 249K 1/8W 1%
J24	10024-18	Resistor, 18K 1/4W 5%
J26	-----	(not used)
J27	-----	(not used)
J29	10160	Diode, 1N4454
J30	10160	Diode, 1N4454
J31	10023-15	Resistor, 1.5K 1/4W 5%
J32	10025-56	Resistor, 560K 1/4W 5%
J33	10023-56	Resistor, 5.6K 1/4W 5%
J34	10160	Diode, 1N4454
J35	10160	Diode, 1N4454
J36	10023-15	Resistor, 1.5K 1/4W 5%
J37	10025-56	Resistor, 560K 1/4W 5%
J38	10023-56	Resistor, 5.6K 1/4W 5%
J40	10164	IC, 1458/5558/72558
J44	10062-51	Capacitor, 510pF 500V
J45	10062-51	Capacitor, 510pF 500V
J46	10062-51	Capacitor, 510pF 500V
J48	10636-01	IC, Resistor Network
J56	10062-51	Capacitor, 510pF 500V

LOCATION	PART NO.	DESCRIPTION
J58	10074-10	Capacitor, .01mFd 33V
NOTE: SO PCB Options		
	11633-00	- 100TPI
	11633-01	- 200TPI

SECTION VI.7

SR PCB Assembly #11411-XX M
(See Note)

<u>LOCATION</u>	<u>PART NO.</u>	<u>DESCRIPTION</u>	<u>LOCATION</u>	<u>PART NO.</u>	<u>DESCRIPTION</u>
A2	10067-10	Capacitor, 10mFd 25V	A41	10160	Diode, 1N4454
A5	10034-10	Resistor, 10K 1/2W 5%	A43	10023-56	Resistor, 5.6K 1/4W 5%
A6	10160	Diode, 1N4454	A44	10033-24	Resistor, 2.4K 1/2W 5%
A7	10033-68	Resistor, 6.8K 1/2W 5%	A46	10024-10	Resistor 10K 1/4W 5%
A8	10160	Diode, 1N4454	A48	10033-24	Resistor, 2.4K 1/2W 5%
A9	10033-22	Resistor, 2.2K 1/2W 5%	A51	10024-47	Resistor, 47K 1/4W 5%
A10	10160	Diode, 1N4454	A52	10023-47	Resistor, 4.7K 1/4W 5%
A11	10024-27	Resistor, 27K 1/4W 5%	A55	10109	Transistor, 2N3643
A12	10025-10	Resistor, 100K 1/4W 5%	B4	10023-47	Resistor, 2.7K 1/4W 5%
A13	10160	Diode, 1N4454	B6	10472	Diode, 13V Zener, 1/2W 2%
A14	10023-56	Resistor, 5.6K 1/4W 5%	B8	10472	Diode, 13V Zener, 1/2W 2%
A15	10023-47	Resistor, 4.7K 1/4W 5%	B10	10469	Diode, 5V Zener, 1/2W 2%
A16	10160	Diode, 1N4454	B14	10109	Transistor, 2N3643
A17	10023-10	Resistor, 1K 1/4W 5%	B17	10109	Transistor, 2N3643
A18	10160	Diode, 1N4454	B29	10095-01	Capacitor, .1mFd 10V
A19	10023-10	Resistor, 1K 1/4W 5%	B32	10109	Transistor, 2N3643
A21	10472	Diode, 13V Zener, 1/2W 2%	B36	10024-33	Resistor, 33K 1/4W 5%
A23	10469	Diode, 5V Zener, 1/2W 2%	B37	10024-27	Resistor, 27K 1/4W 5%
A25	10472	Diode, 13V Zener, 1/2W 2%	B38	10024-27	Resistor, 27K 1/4W 5%
A27	10079-10	Capacitor, 1mFd 35V TA	B39	10160	Diode, 1N4454
A28	10160	Diode, 1N4454	B40	10160	Diode, 1N4454
A29	10024-27	Resistor, 27K 1/4W 5%	B43	10109	Transistor, 2N3643
A30	10160	Diode, 1N4454	B47	10105	Transistor, 2N3644
A31	10160	Diode, 1N4454	B50	10024-27	Resistor, 27K 1/4W 5%
A34	10077-12	Capacitor, 12mFd 20V TA	B52	10023-56	Resistor, 5.6K 1/4W 5%
A36	10023-56	Resistor, 5.6K 1/4W 5%	B54	10024-27	Resistor, 27K 1/4W 5%
A37	10160	Diode, 1N4454	B55	10024-10	Resistor, 10K 1/4W 5%
A38	10024-10	Resistor, 10K 1/4W 5%	B56	10023-56	Resistor, 5.6K 1/4W 5%
A39	10023-56	Resistor, 5.6K 1/4W 5%	D2	10097-27	Inductor, 27uH
A40	10024-68	Resistor, 68K 1/4W 5%	D4	10097-01	Inductor, 1uH

LOCATION	PART NO.	DESCRIPTION
D12	-----	(not used)
D21	10199-47	Inductor, .47uH
D22	10160	Diode, 1N4454
D23	10024-10	Resistor, 10K 1/4W 5%
D24	10199-47	Inductor, .47uH
D25	10160	Diode, 1N4454
D26	10024-10	Resistor, 10K 1/4W 5%
D30	10132	IC, 858
D42	10144	IC, 380
D50	10095-01	Capacitor, .1mFd 10V
D53	10105	Transistor, 2N3644
E8	10070-47	Capacitor, .0047mFd 200V (-00, -01 only)
	10070-10	Capacitor, .001mFd 200V (-02, -03 only)
E10	10070-47	Capacitor, .0047mFd 200V (-00, -01 only)
	10070-10	Capacitor, .001mFd 200V (-02, -03 only)
E12	10142	IC, 74121
E20	10142	IC, 74121
E30	10132	IC, 7400
E37	10023-56	Resistor, 5.6K 1/4W 5%
E38	10024-10	Resistor, 10K 1/4W 5%
E40	10160	Diode, 1N4454
E42	10132	IC, 858
E50	10095-01	Capacitor, .1mFd 10V
E53	10109	Transistor, 2N3643
E56	10023-47	Resistor, 4.7K 1/4W 5%
F12	10024-12	Resistor, 12K 1/4W 5% (-00, -01 only)
	10024-15	Resistor, 15K 1/4W 5% (-02, -03 only)
F13	10160	Diode, 1N4454
F14	10160	Diode, 1N4454
F15	10022-10	Resistor, 100 Ohm 1/4W 5%
F16	10023-47	Resistor, 4.7K 1/4W 5%

LOCATION	PART NO.	DESCRIPTION
F17	10023-33	Resistor, 3.3K 1/4W 5%
F20	10024-12	Resistor, 12K 1/4W 5% (-00, -01 only)
	10024-15	Resistor, 15K 1/4W 5% (-02, -03 only)
F21	10160	Diode, 1N4454
F22	10160	Diode, 1N4454
F23	10022-10	Resistor, 100 Ohm 1/4W 5%
F24	10023-47	Resistor, 4.7K 1/4W 5%
F25	10023-33	Resistor, 3.3K 1/4W 5%
F27	10160	Diode, 1N4454
F28	10021-47	Resistor, 47 Ohm 1/4W 5%
F29	10021-10	Resistor, 10 Ohm 1/4W 5% (-00, -02 only)
F30	10021-10	Resistor, 10 Ohm 1/4W 5% (-01, -03 only)
F31	10021-10	Resistor, 10 Ohm 1/4W 5% (-00, -02 only)
F32	10021-10	Resistor, 10 Ohm 1/4W 5% (-01, -03 only)
F33	-----	(not used)
F34	10021-10	Resistor, 10 Ohm 1/4W 5% (-01, -03 only)
F35	10021-10	Resistor, 10 Ohm 1/4W 5% (-00, -02 only)
F38	-----	(not used)
F39	-----	(not used)
F40	10095-01	Capacitor, .1mFd 10V
F41	10024-22	Resistor, 22K 1/4W 5%
F42	10023-56	Resistor, 5.6K 1/4W 5%
F43	10160	Diode, 1N4454
F44	10024-10	Resistor, 10K 1/4W 5%
F45	10160	Diode, 1N4454
F47	10076-22	Capacitor, 2.2mFd 35V TA
F49	10024-68	Resistor, 68K 1/4W 5%
F50	10086-10	Capacitor, .1mFd 50V
F53	10109	Transistor, 2N3643
H2	10097-27	Inductor, 27uH

LOCATION	PART NO.	DESCRIPTION
H4	10067-10	Capacitor, 10mFd 25V
H6	10097-21	Inductor, 27uH
H8	10070-33	Capacitor, .0033mFd 200V
H10	10070-33	Capacitor, .0033mFd 200V
H12	10122	IC, 709
H20	10122	IC, 709
H27	-----	(not used)
H30	10144	IC, 380
H38	10128	IC, 936
H46	10160	Diode, 1N4454
H48	10023-56	Resistor, 5.6K 1/4W 5%
H50	10024-16	Resistor, 16K 1/4W 5%
H51	10024-10	Resistor, 10K 1/4W 5%
H54	10033-24	Resistor, 2.4K 1/2W 5%
J4	10095-01	Capacitor, .1mFd 10V
J8	10086-10	Capacitor, .1mFd 50V
J9	10164	IC, 1458/5558/72558
J14	10024-10	Resistor, 10K 1/4W 5%
J15	10025-10	Resistor, 100K 1/4W 5%
J16	10023-10	Resistor, 1K 1/4W 5%
J17	10023-10	Resistor, 1K 1/4W 5%
J18	10023-10	Resistor, 1K 1/4W 5%
J19	10023-27	Resistor, 2.7K 1/4W 5%
J20	10160	Diode, 1N4454
J21	10160	Diode, 1N4454
J22	10160	Diode, 1N4454
J23	10160	Diode, 1N4454
J24	10023-27	Resistor, 2.7K 1/4W 5%
J28	-----	(not used)
J30	10132	IC, 7400
J39	-----	(not used)
J50	10071-99	Capacitor, .1mFd 200V
K2	10067-10	Capacitor, 10mFd 25V
K4	10032-15	Resistor, 150 Ohm 1/2W 5%

LOCATION	PART NO.	DESCRIPTION
K6	10067-10	Capacitor, 10mFd 25V
K8	10023-10	Resistor, 1K 1/4W 5%
K9	10025-10	Resistor, 100K 1/4W 5%
K10	10024-10	Resistor, 10K 1/4W 5%
K11	10024-22	Resistor, 22K 1/4W 5%
K12	10024-22	Resistor, 22K 1/4W 5%
K13	10086-10	Capacitor, .1mFd 50V
K15	10164	IC, 1458/5558/72558
K21	10023-33	Resistor, 3.3K 1/4W 5%
K22	10023-33	Resistor, 3.3K 1/4W 5%
K25	10003-89	Resistor, 8.25K 1/8W 1%
K26	10005-01	Resistor, 100K 1/8W 1%
K27	10003-01	Resistor, 1K 1/8W 1%
K30	10142	IC, 74121
K38	10004-15	Resistor, 14K 1/8W 1%
K40	-----	Resistor (test select)
K41	10095-01	Capacitor, .1mFd 10V
K42	10023-47	Resistor, 4.7K 1/4W 5%
K43	10070-10	Capacitor, .001mFd 200V
K45	10070-10	Capacitor, .001mFd 200V
K47	10160	Diode, 1N4454
K48	10160	Diode, 1N4454
K49	10024-10	Resistor, 10K 1/4W 5%
K50	10023-56	Resistor, 5.6K 1/4W 5%
K51	10033-24	Resistor, 2.4K 1/2W 5%
K53	10160	Diode, 1N4454
K54	10160	Diode, 1N4454

NOTE: SR PCB Options

- 11411-00 No Sector Counter
- 11411-01 Sector Counter
- 11411-02 No Sector Counter -
Series 30 Compatible
- 11411-03 Sector Counter - Series 30
Compatible

SECTION VI.8a

SL PCB Assembly #11471-XX D
 (-00, -01 only See Note)

LOCATION	PART NO.	DESCRIPTION	LOCATION	PART NO.	DESCRIPTION
A1	10067-10	Capacitor, 10mFd 25V	B55	-----	Resistor (test select)
A4	10142	IC, 74121	B56	10023-33	Resistor, 3.3K 1/4W 5%
A12	10495-82	Capacitor, 82mFd 6V	B57	10160	Diode, 1N4454
A13	10024-27	Resistor, 27K 1/4W 5%	B58	10160	Diode, 1N4454
A15	10095-01	Capacitor, .1mFd 10V	D1	10097-27	Inductor, 27uH
A16	-----	(not used)	D4	10097-01	Inductor, 1uH
A25	10423-47	Capacitor, .47mFd 50V	D7	10023-56	Resistor, 5.6K 1/4W 5%
A34	10005-02	Resistor, 102K 1/8W 1% (-01 only)	D8	10023-15	Resistor, 1.5K 1/4W 5%
	10005-20	Resistor, 158K 1/8W 1% (-00 only)	D9	10023-56	Resistor, 5.6K 1/4W 5%
A35	10024-10	Resistor, 10K 1/4W 5%	D10	10023-15	Resistor, 1.5K 1/4W 5%
A36	10160	Diode, 1N4454	D11	10023-56	Resistor, 5.6K 1/4W 5%
A38	10095-01	Capacitor, .1mFd 10V	D12	10023-15	Resistor, 1.5K 1/4W 5%
A43	10410-22	Capacitor, 22mFd 10V	D13	10023-10	Resistor, 1K 1/4W 5%
A47	10086-10	Capacitor, .1mFd 50V	D15	10139	IC, 7474
A50	10095-01	Capacitor, .1mFd 10V	D27	10134	IC, 7400
A52	10164	IC, 558	D39	10133	IC, 7410
A57	10086-10	Capacitor, .1mFd 50V	D49	10023-10	Resistor, 1K 1/4W 5%
B4	10120	IC, 7426	D50	10024-47	Resistor, 47K 1/4W 5%
B15	-----	(not used)	D51	-----	Resistor (test select)
B23	10023-10	Resistor, 1K 1/4W 5%	D52	10164	IC, 558
B25	-----	(not used)	D53	-----	Resistor (test select)
B27	10139	IC, 7474	D56	10023-33	Resistor, 3.3K 1/4W 5%
B39	10142	IC, 74121	D57	10160	Diode, 1N4454
B47	10024-15	Resistor, 15K 1/4W 5%	D58	10160	Diode, 1N4454
B50	10024-22	Resistor, 22K 1/4W 5%	E7	10024-10	Resistor, 10K 1/4W 5%
B51	10024-10	Resistor, 10K 1/4W 5%	E9	10024-27	Resistor, 27K 1/4W 5%
B52	10024-47	Resistor, 47K 1/4W 5%	E11	10024-10	Resistor, 10K 1/4W 5%
B53	-----	Resistor (test select)	E17	-----	(not used)
B54	10023-10	Resistor, 1K 1/4W 5%	E20	10021-47	Resistor, 47 Ohm, 1/4W 5%
			E24	10095-01	Capacitor, .1mFd 10V

LOCATION	PART NO.	DESCRIPTION
E27	10144	IC, 380
E36	10095-01	Capacitor, .1mFd 10V
E39	10134	IC, 7400
E47	10095-01	Capacitor, .1mFd 10V
E51	10134	IC, 7400
F1	10097-27	Inductor, 27uH
F4	10067-10	Capacitor, 10mFd 25V
F7	10023-22	Resistor, 2.2K 1/4W 5%
F9	10023-22	Resistor, 2.2K 1/4W 5%
F11	10023-15	Resistor, 1.5K 1/4W 5%
F15	10022-10	Resistor, 100 Ohm 1/4W 5%
F16	10023-10	Resistor, 1K 1/4W 5%
F17	10062-10	Capacitor, 100pF 500V
F19	-----	(not used)
F20	-----	(not used)
F29	10021-47	Resistor, 47 Ohm 1/4W 5%
F30	10023-47	Resistor, 4.7K 1/4W 5%
F33	-----	(not used)
F34	10023-47	Resistor, 4.7K 1/4W 5%
F39	10133	IC, 7410
F49	10023-47	Resistor, 4.7K 1/4W 5%
F51	10136	IC, 7404
H1	10067-10	Capacitor, 10mFd 25V
H15	10023-10	Resistor, 1K 1/4W 5%
H16	10022-10	Resistor, 100 Ohm 1/4W 5%
H17	10062-10	Capacitor, 100pF 500V
H19	10022-10	Resistor, 100 Ohm 1/4W 5%
H20	10023-10	Resistor, 1K 1/4W 5%
H21	10062-10	Capacitor, 100pF 500V
H27	10022-10	Resistor, 100 Ohm 1/4W 5%
H28	10023-10	Resistor, 1K 1/4W 5%
H29	10062-10	Capacitor, 100pF 500V
H31	10022-10	Resistor, 100 Ohm 1/4W 5%
H32	10023-10	Resistor, 1K 1/4W 5%

LOCATION	PART NO.	DESCRIPTION
H33	10062-10	Capacitor, 100pF 500V
H39	10134	IC, 7400
H51	10134	IC, 7400
J4	10105	Transistor, 2N3644
J8	10109	Transistor, 2N3643
J12	10105	Transistor, 2N3644
J19	10022-10	Resistor, 100 Ohm 1/4W 5%
J20	10023-10	Resistor, 1K 1/4W 5%
J21	10062-10	Capacitor, 100pF 500V
J26	10095-01	Capacitor, .1mFd 10V
J31	10022-10	Resistor, 100 Ohm 1/4W 5%
J32	10023-10	Resistor, 1K 1/4W 5%
J33	10062-10	Capacitor, 100pF 500V
J38	10095-01	Capacitor, .1mFd 10V
J39	10134	IC, 7400
J49	10095-01	Capacitor, .1mFd 10V
J51	10139	IC, 7474

NOTE: SL PCB Assembly Options

11471-00 - 1500 RPM
11471-01 - 2400 RPM

SECTION VI.8b

SL PCB Assembly #11471-XX D
 (-02, -03 only - See Note)

LOCATION	PART NO.	DESCRIPTION	LOCATION	PART NO.	DESCRIPTION
A2	10077-10	Capacitor, 10mFd 20V	C13	10022-10	Resistor, 100 Ohm 1/4W 5%
A8	10134	IC, 7400	C18	10136	IC, 7404
A13	10095-01	Capacitor, .1mFd 10V	C29	10139	IC, 7474
A18	10139	IC, 7474	C35	10095-01	Capacitor, .1mFd 10V
A28	10023-47	Resistor, 4.7K 1/4W 5%	C40	10141	IC, 7493
A29	10139	IC, 7474	C46	10095-01	Capacitor, .1mFd 10V
A35	10095-01	Capacitor, .1mFd 10V	C48	10023-22	Resistor, 2.2K 1/4W 5%
A40	10348	IC, 555	C49	10023-15	Resistor, 1.5K 1/4W 5%
A41	10022-10	Resistor, 100 Ohm 1/4W 5%	C50	10023-22	Resistor, 2.2K 1/4W 5%
A43	-----	Resistor (test select)	C51	10023-56	Resistor, 5.6K 1/4W 5%
A44	10004-37	Resistor, 23.7K 1/8W 1%	C53	10105	Transistor, 2N3644
A46	10095-01	Capacitor, .1mFd 10V	D2	10067-10	Capacitor, 10mFd 25V
A49	10074-10	Capacitor, .01mFd 33V	D5	10023-10	Resistor, 1K 1/4W 5%
A51	10023-56	Resistor, 5.6K 1/4W 5%	D7	10023-10	Resistor, 1K 1/4W 5%
B8	10133	IC, 7410	D8	10022-10	Resistor, 100 Ohm 1/4W 5%
B18	10120	IC, 7426	D9	10023-10	Resistor, 1K 1/4W 5%
B24	10095-01	Capacitor, .1mFd 10V	D10	10022-10	Resistor, 100 Ohm 1/4W 5%
B29	10173	IC, 7430	D11	10023-10	Resistor, 1K 1/4W 5%
B34	10023-10	Resistor, 1K 1/4W 5%	D15	10062-10	Capacitor, 100pF 500V
B40	10141	IC, 7493	D18	10134	IC, 7400
B48	10109	Transistor, 2N3643	D22	10062-10	Capacitor, 100pF 500V
B53	10105	Transistor, 2N3644	D24	10095-01	Capacitor, .1mFd 10V
C1	10067-10	Capacitor, 10mFd 25V	D29	10136	IC, 7404
C4	10023-15	Resistor, 1.5K 1/4W 5%	D37	10095-01	Capacitor, .1mFd 10V
C5	10024-10	Resistor, 10K 1/4W 5%	D39	10022-47	Resistor, 470 Ohm 1/4W 5%
C6	10023-15	Resistor, 1.5K 1/4W 5%	D40	10141	IC, 7493
C7	10024-10	Resistor, 10K 1/4W 5%	D44	10095-01	Capacitor, .1mFd 10V
C8	10023-10	Resistor, 1K 1/4W 5%	D48	10026-12	Resistor, 1.2M 1/4W 5%
C10	10023-10	Resistor, 1K 1/4W 5%	D49	10022-33	Resistor, 330 Ohm 1/4W 5%
C11	10023-10	Resistor, 1K 1/4W 5%	D50	10160	Diode, 1N4454

<u>LOCATION</u>	<u>PART NO.</u>	<u>DESCRIPTION</u>
D53	10079-10	Capacitor, 1mFd 50V
E4	10062-10	Capacitor, 100pF 500V
E5	10022-10	Resistor, 100 Ohm 1/4W 5%
E6	10062-10	Capacitor, 100pF 500V
E7	10022-10	Resistor, 100 Ohm 1/4W 5%
E8	10062-10	Capacitor, 100pF 500V
E9	10022-10	Resistor, 100 Ohm 1/4W 5%
E10	10062-10	Capacitor, 100pF 500V
E11	10022-10	Resistor, 100 Ohm 1/4W 5%
E13	10062-10	Capacitor, 100pF 500V
E18	10134	IC, 7400
E29	10133	IC, 7410
E35	10095-01	Capacitor, .1mFd 10V
E40	10382	IC, 556
E46	10095-01	Capacitor, .1mFd 10V
E48	10022-47	Resistor, 470 Ohm 1/4W 5%
E49	10025-20	Resistor, 200K 1/4W 5%
E50	10160	Diode, 1N4454
E53	10079-10	Capacitor, 1mFd 50V
F1	10077-10	Capacitor, 10mFd 20V
F8	10134	IC, 7400
F13	10095-01	Capacitor, .1mFd 10V
F18	10133	IC, 7410
F24	10095-01	Capacitor, .1mFd 10V
F29	10136	IC, 7404
F40	10133	IC, 7410
F48	10023-10	Resistor, 1K 1/4W 5%
F49	10021-10	Resistor, 10 Ohm 1/4W 5% (-02 only)

NOTE: SL PCB Assembly Options

11471-02 - 1500 RPM
11471-03 - 2400 RPM

SECTION VI.9a

OR PCB Assembly #11414-XX F
(See Note)

LOCATION	PART NO.	DESCRIPTION	LOCATION	PART NO.	DESCRIPTION
A2	10067-10	Capacitor, 10mFd 25V	D23	10095-01	Capacitor, .001mFd 10V
A6	10022-68	Resistor, 680 Ohm 1/4W 5%	D24	10062-10	Capacitor, 100pF 500V
A7	10022-47	Resistor, 470 Ohm 1/4W 5%	D27	10139	IC, 7474
A8	10096-99	Inductor, 100mH	D39	-----	(not used)
A10	10062-10	Capacitor, 100pF 500V	E6	10022-68	Resistor, 680 Ohm 1/4W 5%
A11	10095-01	Capacitor, .1mFd 10V	E7	10022-47	Resistor, 470 Ohm 1/4W 5%
A15	10144	IC, 380	E8	10096-99	Inductor, 100uH
A22	10024-10	Resistor, 10K 1/4W 5%	E10	10062-51	Capacitor, 510pF 500V
A26	10024-10	Resistor, 10K 1/4W 5%	E12	10071-22	Capacitor, .022mFd 200V
A27	10202-01	Crystal, 1.92MHz	E15	10138	IC, 7476
A39	-----	(not used)	E27	10141	IC, 7493
A47	10095-01	Capacitor, .1mFd 10V	E35	10095-01	Capacitor, .1mFd 10V
A51	-----	(not used)	E39	10141	IC, 7493
B4	10120	IC, 7426	E47	10095-01	Capacitor, .1mFd 10V
B12	10160	Diode, 1N4454	E51	10141	IC, 7493
B15	10139	IC, 7474	F2	10097-27	Inductor 27uH
B23	10096-99	Inductor, 100mH	E4	10067-10	Capacitor, 10mFd 25V
B24	10070-47	Capacitor, .0047mFd 200V	F6	10022-68	Resistor, 680 Ohm 1/4W 5%
B26	10023-10	Resistor, 1K 1/4W 5%	F7	10022-47	Resistor, 470 Ohm 1/4W 5%
B35	10095-01	Capacitor, .1mFd 10V	F8	10096-99	Inductor, 100mH
B39	-----	(not used)	F10	10062-51	Capacitor, 510pF 500V
B51	-----	(not used)	F11	10023-15	Resistor, 1.5K 1/4W 5%
D2	10097-27	Inductor, 27uH	F12	10024-33	Resistor, 33K 1/4W 5%
D4	10097-01	Inductor, 1uH	F13	-----	Resistor (test select)
D6	10023-10	Resistor, 1K 1/4W 5%	F15	10134	IC, 7400
D7	10160	Diode, 1N4454	F23	10023-10	Resistor, 1K 1/4W 5%
D8	10160	Diode, 1N4454	F27	10174	IC, 7490
D9	10023-47	Resistor, 4.7K 1/4W 5%	F39	10173	IC, 7430
D10	10070-10	Capacitor, .001mFd 200V	H8	15348	Coil Assembly (2)
D15	10139	IC, 7474	70181		Pot Core (2)

LOCATION	PART NO.	DESCRIPTION
H8	70029-10	Screw, Pan Head Slotted, 4-40 x .625"
	10515-03	Washer Phenolic, #4
	70168-04	Lockwasher, #4
	70166-04	Nut, Hex, 4-40
H13	10023-47	Resistor, 4.7K 1/4W 5%
H14	10023-91	Resistor, 9.1K 1/4W 5%
H15	10022-91	Resistor, 910 Ohm 1/4W 5%
H19	10109	Transistor, 2N2643
H21	10021-22	Resistor, 22 Ohm 1/4W 5%
H22	10021-10	Resistor, 10 Ohm 1/4W 5% (-01 only)
H23	10023-10	Resistor, 1K 1/4W 5%
H27	10136	IC, 7404
H39	10134	IC, 7400
H50 thru H57	10021-10	Resistor, 10 Ohm 1/4W 5% (at selected locations)
J2	10067-10	Capacitor, 10mFd 25V
J4	10070-10	Capacitor, .001mFd 200V
J6	10022-10	Resistor, 100 Ohm 1/4W 5%
J7	10021-22	Resistor, 22 Ohm 1/4W 5%
J8	10086-10	Capacitor, .1mFd 50V
J11	10105	Transistor, 2N3644
J13	10021-47	Resistor, 47 Ohm 1/4W 5%
J14	10021-47	Resistor, 47 Ohm 1/4W 5%
J15	10023-33	Resistor, 3.3K 1/4W 5%
J19	10109	Transistor, 2N3643
J23	10109	Transistor, 2N3643
J25	10095-01	Capacitor, .1mFd 10V
J27	10139	IC, 7474
J35	10095-01	Capacitor, .1mFd 10V
J39	10173	IC, 7430
J50 thru J57	10021-10	Resistor, 10 Ohm 1/4W 5% (at selected locations)

LOCATION	PART NO.	DESCRIPTION
NOTE: OR PBC Options		
	11414-00	- 1500 RPM
	11414-01	- 2400 RPM

SECTION VI.9b

OR PCB ASSEMBLY #11873-XX D
(See Note)

LOCATION	PART NO.	DESCRIPTION	LOCATION	PART NO.	DESCRIPTION
A3	10067-10	Capacitor, 10mFd 25V	C51	10136	IC, 7404
A5	10348	IC, 555	D2	10086-10	Capacitor, .1mFd 50V
A7	10094-10	Capacitor, .01mFd 25V	D3	10002-43	Resistor, 274 Ohm 1/8W 1%
A8	10022-47	Resistor, 470 Ohm 1/4W 5%	D8	10139	IC, 7474
A9	10005-12	Resistor, 130K 1/8W 1%	D10	10002-43	Resistor, 274 Ohm 1/8W 1%
A10	10095-01	Capacitor, .1mFd 10V	D11	10002-26	Resistor, 182 Ohm 1/8W 1%
A13	10071-99	Capacitor, .1mFd 100V	D13	10095-01	Capacitor, .1mFd 10V
A17	10022-47	Resistor, 470 Ohm 1/4W 5%	D19	10139	IC, 7474
A19	10139	IC, 7474	D29	10356	IC, 74163
A24	10095-01	Capacitor, .1mFd 10V	D35	10095-01	Capacitor, .1mFd 10V
A29	10134	IC, 7400	D40	10356	IC, 74163
A40	10356	IC, 74163	D50	10202-01	Crystal, 1.920MHz
A46	10095-01	Capacitor, .1mFd 10V	E1	10022-10	Resistor, 100 Ohm 1/4W 5%
A51	10173	IC, 7430	E2	10021-47	Resistor, 47 Ohm 1/4W 5%
B8	10125	IC, 7420	E3	10021-22	Resistor, 22 Ohm 1/4W 5%
B9	10067-10	Capacitor, 10mFd 25V	E4	10002-26	Resistor, 182 Ohm 1/8W 1%
B19	10154	IC, 74193	E5	10105	Transistor, 2N3644
B29	10356	IC, 74163	E6	10061-75	Capacitor, 75pF 500V
B35	10095-01	Capacitor, .1mFd 10V	E7	10109	Transistor, 2N3643
B40	10356	IC, 74163	E8	10109	Transistor, 2N3643
B51	10135	IC, 7402	E10	10021-22	Resistor, 22 Ohm 1/4W 5%
C1	10086-10	Capacitor, .1mFd 50V	E11	10105	Transistor, 2N3644
C2	10067-10	Capacitor, 10mFd 25V	E12	10105	Transistor, 2N3644
C3	10204-27	Inductor, 27uH	E19	10134	IC, 7400
C4	10204-27	Inductor, 27uH	E24	10095-01	Capacitor, .1mFd 10V
C8	10125	IC, 7420	E29	10136	IC, 7404
C19	10154	IC, 74193	E40	10356	IC, 74163
C24	10095-01	Capacitor, .1mFd 10V	E46	10021-10	Resistor, 10 Ohm 1/4W 5% (-00 only)
C29	10356	IC, 74163	E49	10105	Transistor, 2N3644
C40	10356	IC, 74163	E52	10109	Transistor, 2N3643
C46	10095-01	Capacitor, .1mFd 10V			

LOCATION PART NO. DESCRIPTION

F1 10266-10 Diode, 7.5V Zener, 1N755A
F2 10266-10 Diode, 7.5V Zener, 1N755A
F3 10109 Transistor, 2N3643
F4 10003-13 Resistor, 1.33K 1/8W 1%
F5 10003-16 Resistor, 1.43K 1/8W 1%
F7 10062-75 Capacitor, 750pF 300V
F9 10022-39 Resistor, 390 Ohm 1/4W 5%
F10 10023-10 Resistor, 1K 1/4W 5%
F11 10022-15 Resistor, 150 Ohm 1/4W 5%
F12 10022-33 Resistor, 330 Ohm 1/4W 5%
F13 10095-01 Capacitor, .1mFd 10V
F14 10062-39 Capacitor, 390pF 500V
F18 10023-47 Resistor, 4.7K 1/4W 5%
F19 10139 IC, 7474
F29 10135 IC, 7402
F35 10095-01 Capacitor, .1mFd 10V
F40 10356 IC, 74163
F46 10095-01 Capacitor, .1mFd 10V
F47 10023-10 Resistor, 1K 1/4W 5%
F48 10022-33 Resistor, 330 Ohm 1/4W 5%
F49 10022-22 Resistor, 220 Ohm 1/4W 5%
F50 10022-33 Resistor, 330 Ohm 1/4W 5%
F51 10024-30 Resistor, 30K 1/4W 5%
F52 10024-30 Resistor, 30K 1/4W 5%
F53 10022-47 Resistor, 470 Ohm 1/4W 5%

NOTE: OR PCB Option Table

11873-00 - 1500 RPM
11873-01 - 2400 RPM

LOCATION PART NO. DESCRIPTION

SECTION VI.10

SD PCB Assembly #11613-XX J
(See Note)

<u>LOCATION</u>	<u>PART NO.</u>	<u>DESCRIPTION</u>	<u>LOCATION</u>	<u>PART NO.</u>	<u>DESCRIPTION</u>
A1	10067-10	Capacitor, 10mFd 25V	D1	10097-27	Inductor, 27uH
A5	10109	Transistor, 2N3643	D4	10097-01	Inductor, 1uH
A9	10105	Transistor, 2N3644	D9	10025-10	Resistor, 100K 1/4W 5%
A13	10109	Transistor, 2N3643	D10	10062-20	Capacitor, 200pF 500V
A27	10120	IC, 7426	D11	10026-10	Resistor, 1M 1/4W 5%
A38	10095-01	Capacitor, .1mFd 10V	D12	10023-20	Resistor, 2K 1/4W 5%
A39	10142	IC, 74121	D13	10160	Diode, 1N4454
A48	10095-01	Capacitor, .1mFd 10V	D17	10025-10	Resistor, 100K 1/4W 5%
B4	10024-22	Resistor, 22K 1/4W 5%	D18	10062-20	Capacitor, 200pF 500V
B5	10023-15	Resistor, 1.5K 1/4W 5%	D19	10026-10	Resistor, 1M 1/4W 5%
B6	10023-22	Resistor, 2.2K 1/4W 5%	D20	10023-20	Resistor, 2K 1/4W 5%
B7	10023-39	Resistor, 3.9K 1/4W 5%	D21	10160	Diode, 1N4454
B8	10023-10	Resistor, 1K 1/4W 5%	D22	10023-47	Resistor, 4.7K 1/4W 5%
B9	10023-20	Resistor, 2K 1/4W 5%	D27	10025-10	Resistor, 100K 1/4W 5%
B10	10023-47	Resistor, 4.7K 1/4W 5%	D28	10062-20	Capacitor, 200pF 500V
B11	10023-56	Resistor, 5.6K 1/4W 5%	D29	10026-10	Resistor, 1M 1/4W 5%
B12	10023-15	Resistor, 1.5K 1/4W 5%	D30	10023-20	Resistor, 2K 1/4W 5%
B13	10024-27	Resistor, 27K 1/4W 5%	D31	10160	Diode, 1N4454
B17	10025-10	Resistor, 100K 1/4W 5%	D39	10164	IC, 558
B18	10062-20	Capacitor, 200pF 500V	D45	10024-22	Resistor, 22K 1/4W 5%
B19	10026-10	Resistor, 1M 1/4W 5%	D47	10095-01	Capacitor, .1mFd 10V
B20	10023-20	Resistor, 2K 1/4W 5%	D53	10160	Diode, 1N4454
B21	10160	Diode, 1N4454	D54	10160	Diode, 1N4454
B27	10132	IC, 15858	D55	10160	Diode, 1N4454
B47	10077-39	Capacitor, 39mFd 10V	D56	10160	Diode, 1N4454
B51	10024-27	Resistor, 27K 1/4W 5%	E25	10095-01	Capacitor, .1mFd 10V
B53	10160	Diode, 1N4454	E36	10095-01	Capacitor, .1mFd 10V
B54	10160	Diode, 1N4454	E39	10164	IC, 558
B55	10160	Diode, 1N4454	E45	10024-22	Resistor, 22K 1/4W 5%
B56	10160	Diode, 1N4454	E48	10564-22	Wire Jumper, 22AWG Buss (-00 only)

LOCATION	PART NO.	DESCRIPTION
E51	10033-20	Resistor, 2K 1/2W 5%
E52	10032-82	Resistor, 820 Ohm 1/2W 5%
E54	10022-39	Resistor, 390 Ohm 1/4W 5%
E55	10101-00	Diode, 1A4F
E56	10564-22	Wire Jumper, 22AWG Buss (-01 only)
F1	10097-27	Inductor, 27uH
F4	10067-10	Capacitor, 10mFd 25V
F6	10023-10	Resistor, 1K 1/4W 5%
F7	10086-10	Capacitor, .1mFd 50 V
F9	10025-10	Resistor, 100K 1/4W 5%
F10	10022-47	Resistor, 470 Ohm 1/4W 5%
F11	10023-33	Resistor, 3.3K 1/4W 5%
F12	10160	Diode, 1N4454
F13	10160	Diode, 1N4454
F15	10134	IC, 7400
F27	10134	IC, 7400
F39	10128	IC, 836
F51	10134	IC, 7400
H1	10067-10	Capacitor, 10mFd 25V
H6	10026-30	Resistor, 3M 1/4W 5%
H8	10164	IC, 558
H12	10086-10	Capacitor, .1mFd 50V
H14	10026-10	Resistor, 1M 1/4W 5%
H15	10134	IC, 7400
H25	10095-01	Capacitor, .1mFd 10V
H36	10023-47	Resistor, 4.7K 1/4W 5%
H39	10125	IC, 7420
H48	10023-10	Resistor, 1K 1/4W 5%
H51	10133	IC, 7410
J10	10160	Diode, 1N4454
J11	10160	Diode, 1N4454
J12	10076-68	Capacitor, 6.8mFd 35V
J17	10109	Transistor, 2N3643

LOCATION	PART NO.	DESCRIPTION
J21	10109	Transistor, 2N3643
J26	10023-33	Resistor, 3.3K 1/4W 5%
J27	10023-20	Resistor, 2K 1/4W 5%
J28	10023-33	Resistor, 3.3K 1/4W 5%
J29	10023-75	Resistor, 7.5K 1/4W 5%
J30	10023-20	Resistor, 2K 1/4W 5%
J31	10023-75	Resistor, 7.5K 1/4W 5%
J32	-----	(not used)
J33	-----	(not used)
J35	10095-01	Capacitor, .1mFd 10V
J39	10139	IC, 7474
J47	10095-01	Capacitor, .1mFd 10V

NOTE:

SD PCB Options

11613-00 - Standard

11613-01 - Interlock Option

SECTION VI.11

TC PCB Assembly #11537A

LOCATION	PART NO.	DESCRIPTION
F1	10097-27	Inductor, 27uH
F3	10097-27	Inductor, 27uH
F5	10067-10	Capacitor, 10mFd 25V
F8	10095-01	Capacitor, .1mFd 10V
F9	10004-09	Resistor, 12.1K 1/8W 1%
F11	-----	Resistor (test select)
F12	10005-09	Resistor, 121K 1/8W 1%
F14	10005-20	Resistor, 158K 1/8W 1%
F15	-----	Resistor, (test select)
F17	10086-47	Capacitor, .47mFd 50V
F18	10003-67	Resistor, 4.87K 1/8W 1%
F20	10095-01	Capacitor, .1mFd 10V
F25	10596-00	Socket, 14-pin
H5	10005-20	Resistor, 158K 1/8W 1%
H10	10164	IC, 558
H17	10003-69	Resistor, 5.11K 1/8W 1%
H18	10023-47	Resistor, 4.7K 1/4W 5%
J1	10067-10	Capacitor, 10mFd 25V
J6	-----	Resistor (test select)
J8	-----	Resistor (test select)
J9	-----	Diode (test select)
J11	-----	Diode (test select)
J12	10004-04	Resistor, 10.7K 1/8W 1%
J14	10003-01	Resistor, 1K 1/8W 1%
J15	10021-10	Resistor, 10 Ohm 1/4W 5%
J17	10095-01	Capacitor, .1mFd 10V



2

3



4

5



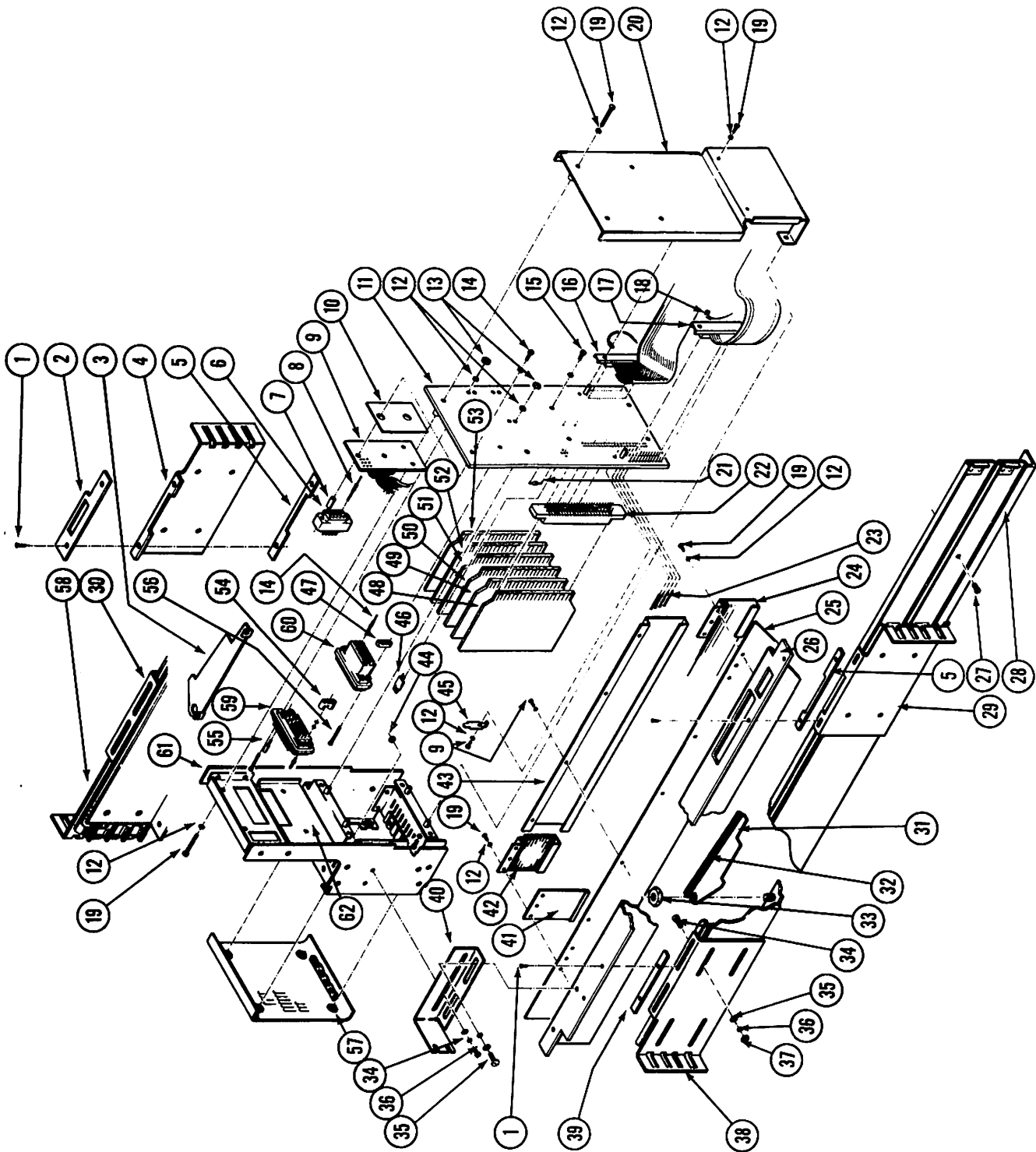


Figure 7-1
 SIDE AND I/O MODULE
 ASSEMBLIES

SECTION VII.1

SLIDE AND I/O MODULE ASSEMBLIES

ITEM NO.	PART NO.	DESCRIPTION	ITEM NO.	PART NO.	DESCRIPTION
1	70067-04	Screw, Undercut Flat Head Slotted, 6-32 x .250"	27	70030-04	Screw, Pan Head Slotted, 6-32 x .250"
2	16286	Latch Plate	28	16285-01	Slide Assembly, Left
3	16177-02	Intermediate Stop, Slide, Right	29	16289-01	Bracket, Slide Mount Front, Left
4	16289-02	Bracket, Slide Mount, Front, Right	30	16285-02	Slide Assembly, Right
5	16298	Nut Plate, Right	31	16177-01	Intermediate Stop, Slide, Left
6	10524-11	Connector, Mate, 14-pin	32	16283	Spring
7	10598-04	Spacer, #4	33	16179	Shoulder Bushing, Slide
8	10525-10	Pin, Male	34	70031-06	Screw, Pan Head Slotted, 6-32 x .375"
9	11424	Power Socket Board, 14-pin	35	70169-08	Flatwasher, #8
10	16582	Insulator, Power Board	36	70168-08	Lockwasher, #8
11	11521	I/O Motherboard Assembly	37	70166-08	Nut, Hex, 8-32
12	70168-04	Lockwasher, #4	38	16288-01	Bracket, Slide Mount, Rear, Left
13	70166-04	Nut, 4-40 Hex	39	16299	Nut Plate, Left
14	10874	Jackscrew Set, Fixed-polarized	40	16647	Bracket, I/O Module Mount
15	70020-16	Screw, Flat Head Slotted, 4-40 x 1"	41	16583-02	Pad, Cable Mount
16	12000-01	Cable Assembly, 34-Conductor, 78"	42	16680	Bracket, Cable Mount, Rear
17	12000-02	Cable Assembly, 34-Conductor, 42"	43	16609	Bracket, Cable Mount
18	10616-04	Ring, Crimped	44	70166-06	Nut, Hex, 6-32
19	70029-04	Screw, Pan Head Slotted, 4-40 x .250"	45	10512	Terminal Tab, Right Angle
20	16702	Shield, I/O Module	46	10634	Shorting Plug
21	10101-01	Diode, 1 Amp 100V, A14A	47	15366	Spaar, Connector
22	10522-10	Connector, 44-pin	48	11645-XX	RDR2-PCB Assembly (See Section VII.2a)
23	10641	Post, Connector		11647-XX	RDR2-PCB Assembly (See Section VII.2b)
24	16609	Bracket, Cable Mount	49	11675	VFO-PCB Assembly, 1500 RPM (See Section VII.3a)
25	16325	Insulation, Cable Bracket		11517	VFO-PCB Assembly, 2400 RPM, (See Section VII.3b)
26	16376	Cable Bracket Assembly, Slide			

<u>ITEM NO.</u>	<u>PART NO.</u>	<u>DESCRIPTION</u>
50	11637-XX	D/CS-PCB Assembly (See Section VII.4a)
	11519	VFC-PCB Assembly (See Section VII.4b)
51	11989	VFI-PCB Assembly (See Section VII.5a)
	11627	VFS-PCB Assembly (See Section VII.5b)
52	11459	SC-PCB Assembly (See Section VII.6)
53	11643-XX	RDRI-PCB Assembly (See Section VII.7a)
	11983-XX	RDRI-PCB Assembly (See Section VII.7b)
54	15384	Spacer
55	10583-02	Contact, Pin
56	10583-01	Contact, Socket
57	16700	Cover Assembly
58	16288-02	Bracket, Slide Mount, Rear, Right
59	10667-01	50-pin Male Connector
60	10667-02	50-pin Female Connector
61	16713	I/O Module Assembly
62	16642	Panel, Lower Connector

SECTION VII.2a

RDR2 PCB ASSEMBLY #11645-XX B
(See Note)

LOCATION	PART NO.	DESCRIPTION	LOCATION	PART NO.	DESCRIPTION
A3	10322	IC, 8836	E22	10021-47	Resistor, 47 Ohm 1/4W 5%
A11	10095-01	Capacitor, .1mFd 10V	E23	10021-47	Resistor, 47 Ohm 1/4W 5%
A13	10095-01	Capacitor, .1mFd 10V	F1	10067-10	Capacitor, 10mFd 25V
A14	10023-47	Resistor, 4.7K 1/4W 5%	F3	10144	IC, 380
A16	10306	IC, 75452	F11	10021-47	Resistor, 47 Ohm 1/4W 5%
A21	10023-10	Resistor, 1K 1/4W 5% (-02, -03 only)	F15	10134	IC, 7400
A22	10023-33	Resistor, 3.3K 1/4W 5%	H3	10144	IC, 380
A23	10024-10	Resistor, 10K 1/4W 5%	H13	10032-12	Resistor, 120 Ohm 1/2W 5%
B3	10322	IC, 8836	H15	10133	IC, 7410
B12	10160	Diode, 1N4454	H22	10032-30	Resistor, 300 Ohm 1/2W 5%
B13	10032-30	Resistor, 300 Ohm 1/2W 5%	H23	10032-12	Resistor, 120 Ohm 1/2W 5%
B16	10306	IC, 75452	J3	10021-47	Resistor, 47 Ohm 1/4W 5%
B21	10564-20	Wire Jumper, 20AWG Buss (-03 only)	J4	10021-47	Resistor, 47 Ohm 1/4W 5%
B22	10024-10	Resistor, 10K 1/4W 5%	J5	10021-47	Resistor, 47 Ohm 1/4W 5%
B23	10024-10	Resistor, 10K 1/4W 5%	J6	10021-47	Resistor, 47 Ohm 1/4W 5%
D1	10097-01	Inductor, 1uH	J7	10021-47	Resistor, 47 Ohm 1/4W 5%
D3	10322	IC, 8836	J8	10021-47	Resistor, 47 Ohm 1/4W 5%
D13	10095-01	Capacitor, .1mFd 10V	J9	10021-47	Resistor, 47 Ohm 1/4W 5%
D14	10095-01	Capacitor, .1mFd 10V	J10	10021-47	Resistor, 47 Ohm 1/4W 5%
D16	10306	IC, 75452	J11	10032-30	Resistor, 300 Ohm 1/2W 5%
D18	10032-12	Resistor, 120 Ohm 1/2W 5%	J13	10160	Diode, 1N4454
D21	10564-20	Wire Jumper, 20AWG Buss (-00, -02 only)	J15	10135	IC, 7402
D22	10024-10	Resistor, 10K 1/4W 5%	J22	10032-30	Resistor, 300 Ohm 1/2W 5%
D23	10024-10	Resistor, 10K 1/4W 5%	J23	10032-12	Resistor, 120 Ohm 1/2W 5%
E3	10144	IC, 380	NOTE: RDR2 PCB Options		
E11	10024-10	Resistor, 10K 1/4W 5%	11645-00 - Standard		
E12	10160	Diode, 1N4454	11645-01 - (not used)		
E13	10160	Diode, 1N4454	11645-02 - Series 30 Compatible Without Interrupt		
E15	10144	IC, 380	11645-03 - Series 30 Compatible With Interrupt		

SECTION VII.2b

RDR2 PCB ASSEMBLY #11647-XX E
(See Note)

LOCATION	PART NO.	DESCRIPTION	LOCATION	PART NO.	DESCRIPTION
A3	10322	IC, 8836	E11	10024-10	Resistor, 10K 1/4W 5%
A11	10095-01	Capacitor, .1mFd 10V	E12	10160	Diode, 1N4454
A13	10095-01	Capacitor, .1mFd 10V	E13	10160	Diode, 1N4454
A14	10023-47	Resistor, 4.7K 1/4W 5%	E15	10144	IC, 380
A16	10306	IC, 75452	E22	10021-47	Resistor, 47 Ohm 1/4W 5%
A22	10024-10	Resistor, 10K 1/4W 5%	E23	10021-47	Resistor, 47 Ohm 1/4W 5%
A23	10024-10	Resistor, 10K 1/4W 5%	F1	10067-10	Capacitor, 10mFd 25V
B3	10322	IC, 8836	F3	10144	IC, 380
B10	10564-22	Wire Jumper, 22AWG Buss (-04 only)	F11	10021-47	Resistor, 47 Ohm 1/4W 5%
B11	10023-10	Resistor, 1K 1/4W 5% (-02, -03 only)	F15	10134	IC, 7400
B12	10160	Diode, 1N4454	H3	10144	IC, 380
B13	10032-30	Resistor, 300 Ohm 1/2W 5%	H13	10032-12	Resistor, 120 Ohm 1/2W 5%
B16	10306	IC, 75452	H15	10133	IC, 7410
B20	10564-22	Wire Jumper 22AWG Buss (-00, -02, -04, -05 only)	H22	10032-30	Resistor, 300 Ohm 1/2W 5%
B21	10564-22	Wire Jumper, 22AWG Buss (-03 only)	H23	10032-12	Resistor, 120 Ohm 1/2W 5%
B22	10024-10	Resistor, 10K 1/4W 5%	J3	10021-47	Resistor, 47 Ohm 1/4W 5%
B23	10024-10	Resistor, 10K 1/4W 5%	J4	10021-47	Resistor, 47 Ohm 1/4W 5%
D1	10097-01	Inductor, 1uH	J5	10021-47	Resistor, 47 Ohm 1/4W 5%
D3	10322	IC, 8836	J6	10021-47	Resistor, 47 Ohm 1/4W 5%
D10	10564-22	Wire Jumper, 22AWG Buss (-00 only)	J7	10021-47	Resistor, 47 Ohm 1/4W 5%
D13	10095-01	Capacitor, .1mFd 10V	J8	10021-47	Resistor, 47 Ohm 1/4W 5%
D14	10095-01	Capacitor, .1mFd 10V	J9	10021-47	Resistor, 47 Ohm 1/4W 5%
D16	10306	IC, 75452	J10	10021-47	Resistor, 47 Ohm 1/4W 5%
D17	10032-12	Resistor, 120 Ohm 1/2W 5%	J11	10032-30	Resistor, 300 Ohm 1/2W 5%
D22	10024-10	Resistor, 10K 1/4W 5%	J13	10160	Diode, 1N4454
D23	10024-10	Resistor, 10K 1/4W 5%	J15	10135	IC, 7402
E3	10144	IC, 380	J22	10032-30	Resistor, 300 Ohm 1/2W 5%
E10	10564-22	Wire Jumper, 22AWG Buss (-05 only)	J23	10032-12	Resistor, 120 Ohm 1/2W 5%

NOTE: RDR2 PCB Options

- 11647-00 - Standard
- 11647-01 - (not used)
- 11647-02 - Series 30 Compatible Without
Interrupt
- 11647-03 - Series 30 Compatible With
Interrupt
- 11647-04 - Standard With Device Identification
- 11647-05 - Standard With Negative Attention

SECTION VII.3a
VFO PCB ASSEMBLY #11675 E

<u>LOCATION</u>	<u>PART NO.</u>	<u>DESCRIPTION</u>	<u>LOCATION</u>	<u>PART NO.</u>	<u>DESCRIPTION</u>
A3	10022-39	Resistor, 390 Ohm 1/4W 5%	B23	10229-10	Trimpot, 100 Ohm
A4	10086-10	Capacitor, .1mFd 50V	D1	10097-01	Inductor, 1uH
A5	10003-42	Resistor, 2.67K 1/8W 1%	D4	10002-17	Resistor, 147 Ohm 1/8W 1%
A6	10328	Transistor, MPS3640	D5	10328	Transistor, MPS3640
A7	10003-01	Resistor, 1K 1/8W 1%	D7	10002-01	Resistor, 100 Ohm 1/8W 1%
A8	10327	Transistor, MPS2369	D8	10022-24	Resistor, 240 Ohm 1/4W 5%
A12	10327	Transistor, MPS2369	D9	10022-24	Resistor, 240 Ohm 1/4W 5%
A16	10086-10	Capacitor, .1mFd 50V	D10	10022-11	Resistor, 110 Ohm 1/4W 5%
A17	10327	Transistor, MPS2369	D11	10022-11	Resistor, 110 Ohm 1/4W 5%
A20	10003-16	Resistor, 1.43K 1/8W 1%	D12	10327	Transistor, MPS2369
A21	10086-10	Capacitor, .1mFd 50V	D14	10328	Transistor, MPS3640
A22	10327	Transistor, MPS2369	D15	10327	Transistor, MPS2369
A23	10023-82	Resistor, 8.2K 1/4W 5%	D16	10328	Transistor, MPS3640
B1	10086-10	Capacitor, .1mFd 50V	D17	10062-20	Capacitor, 200pF 500V
B2	10086-10	Capacitor, .1mFd 50V	D18	10086-10	Capacitor, .1mFd 50V
B3	10022-24	Resistor, 240 Ohm 1/4W 5%	D19	10002-21	Resistor, 162 Ohm 1/8W 1%
B4	10022-39	Resistor, 390 Ohm 1/4W 5%	D20	10328	Transistor, MPS3640
B5	10328	Transistor, MPS3640	D21	10328	Transistor, MPS3640
B6	10328	Transistor, MPS3640	D22	10328	Transistor, MPS3640
B8	10327	Transistor, MPS2369	D23	10328	Transistor, MPS3640
B10	10002-17	Resistor, 147 Ohm 1/8W 1%	F1	10086-10	Capacitor, .1mFd 50V
B11	10001-38	Resistor, 24.3 Ohm 1/8W 1%	F2	10022-24	Resistor, 240 Ohm 1/4W 5%
B12	10002-17	Resistor, 147 Ohm 1/8W 1%	F3	10387	Transistor, 2N4401
B13	10411-22	Capacitor, .22mFd 50V	F4	10033-22	Resistor, 2.2K 1/2W 5%
B15	10002-51	Resistor, 332 Ohm 1/8W 1%	F5	10003-01	Resistor, 1K 1/8W 1%
B16	10003-90	Resistor, 8.45K 1/8W 1%	F6	10327	Transistor, MPS2369
B17	10002-51	Resistor, 332 Ohm 1/8W 1%	F9	10086-10	Capacitor, .1mFd 50V
B18	10003-42	Resistor, 2.67K 1/8W 1%	F10	10327	Transistor, MPS2369
B19	10229-05	Trimpot, 50 Ohm	F11	10003-01	Resistor, 1K 1/8W 1%
B20	10001-89	Resistor, 82.5 Ohm 1/8W 1%	F12	10086-10	Capacitor, .1mFd 50V
B22	10002-23	Resistor, 169 Ohm 1/8W 1%	F13	10002-72	Resistor, 549 Ohm 1/8W 1%

LOCATION	PART NO.	DESCRIPTION
F14	10327	Transistor, MPS2369
F15	10327	Transistor, MPS2369
F16	10062-39	Capacitor, 390pF 500V
F17	10086-10	Capacitor, .1mFd 50V
F18	10160	Diode, 1N4454
F19	10002-17	Resistor, 147 Ohm 1/8W 1%
F20	10327	Transistor, MPS2369
F22	10327	Transistor, MPS2369
H1	10022-68	Resistor, 680 Ohm 1/4W 5%
H3	10086-10	Capacitor, .1mFd 50V
H5	10160	Diode, 1N4454
H6	10323	IC, 74500
H14	10032-20	Resistor, 200 Ohm 1/2W 5%
H16	10033-22	Resistor, 2.2K 1/2W 5%
H17	10002-80	Resistor, 665 Ohm 1/8W 1%
H18	10002-80	Resistor, 665 Ohm 1/8W 1%
H19	10002-80	Resistor, 665 Ohm 1/8W 1%
H20	10002-80	Resistor, 665 Ohm 1/8W 1%
H21	10086-10	Capacitor, .1mFd 50V
H23	10327	Transistor, MPS2369
J6	10160	Diode, 1N4454
J11	10327	Transistor, MPS2369
J12	10327	Transistor, MPS2369
J14	10033-20	Resistor, 2K 1/2W 5%
J16	10327	Transistor, MPS2369
J17	10327	Transistor, MPS2369
J19	10086-10	Capacitor, .1mFd 50V
J20	10033-18	Resistor, 1.8K 1/2W 5%
J21	10327	Transistor, MPS2369
J22	10327	Transistor, MPS2369
K5	10086-10	Capacitor, .1mFd 50V
K6	10002-80	Resistor, 665 Ohm 1/8W 1%
K7	10002-80	Resistor, 665 Ohm 1/8W 1%
K9	10033-18	Resistor, 1.8K 1/2W 5%

LOCATION	PART NO.	DESCRIPTION
K11	10086-10	Capacitor, .1mFd 50V
K12	10002-33	Resistor, 215 Ohm 1/8W 1%
K13	10001-47	Resistor, 30.1 Ohm 1/8W 1%
K17	10086-10	Capacitor, .1mFd 50V
K20	10001-89	Resistor, 82.5 Ohm 1/8W 1%
K21	10003-25	Resistor, 1.78K 1/8W 1%
K22	10086-10	Capacitor, .1mFd 50V

SECTION VII.3b

VFO PCB ASSEMBLY #11517 E

LOCATION	PART NO.	DESCRIPTION	LOCATION	PART NO.	DESCRIPTION
A3	10022-39	Resistor, 390 Ohm 1/4W 5%	B23	10229-10	Trimpot, 100 Ohm
A4	10086-10	Capacitor, .1mFd 50V	D1	10097-01	Inductor, 1uH
A5	10003-42	Resistor, 2.67K 1/8W 1%	D4	10002-17	Resistor, 147 Ohm 1/8W 1%
A6	10328	Transistor, MPS3640	D5	10328	Transistor, MPS3640
A7	10003-01	Resistor, 1K 1/8W 1%	D7	10002-01	Resistor, 100 Ohm 1/8W 1%
A8	10327	Transistor, MPS2369	D8	10022-24	Resistor, 240 Ohm 1/4W 5%
A12	10327	Transistor, MPS2369	D9	10022-24	Resistor, 240 Ohm 1/4W 5%
A16	10086-10	Capacitor, .1mFd 50V	D10	10022-11	Resistor, 110 Ohm 1/4W 5%
A17	10327	Transistor, MPS2369	D11	10022-11	Resistor, 110 Ohm 1/4W 5%
A20	10003-16	Resistor, 1.43K 1/8W 1%	D12	10327	Transistor, MPS2369
A21	10086-10	Capacitor, .1mFd 50V	D14	10328	Transistor, MPS3640
A22	10327	Transistor, MPS2369	D15	10327	Transistor, MPS2369
A23	10023-82	Resistor, 8.2K 1/4W 5%	D16	10328	Transistor, MPS3640
B1	10086-10	Capacitor, .1mFd 50V	D17	10062-12	Capacitor, 120pF 500V
B2	10086-10	Capacitor, .1mFd 50V	D18	10086-10	Capacitor, .1mFd 50V
B3	10022-24	Resistor, 240 Ohm 1/4W 5%	D19	10002-21	Resistor, 162 Ohm 1/8W 1%
B4	10022-39	Resistor, 390 Ohm 1/4W 5%	D20	10328	Transistor, MPS3640
B5	10328	Transistor, MPS3640	D21	10328	Transistor, MPS3640
B6	10328	Transistor, MPS3640	D22	10328	Transistor, MPS3640
B8	10327	Transistor, MPS2369	D23	10328	Transistor, MPS3640
B10	10002-17	Resistor, 147 Ohm 1/8W 1%	F1	10086-10	Capacitor, .1mFd 50V
B11	10001-01	Resistor, 24.3 Ohm 1/8W 1%	F2	10022-24	Resistor, 240 Ohm 1/4W 5%
B12	10002-17	Resistor, 147 Ohm 1/8W 1%	F3	10387	Transistor, 2N4401
B13	10411-22	Capacitor, .22mFd 50V	F4	10033-22	Resistor, 2.2K 1/2W 5%
B15	10002-51	Resistor, 332 Ohm 1/8W 1%	F5	10003-01	Resistor, 1K 1/8W 1%
B16	10003-90	Resistor, 8.45K 1/8W 1%	F6	10327	Transistor, MPS2369
B17	10002-51	Resistor, 332 Ohm 1/8W 1%	F9	10086-10	Capacitor, .1mFd 50 V
B18	10003-42	Resistor, 2.67K 1/8W 1%	F10	10327	Transistor, MPS2369
B19	10229-05	Trimpot, 50 Ohm	F11	10003-01	Resistor, 1K 1/8W 1%
B20	10001-85	Resistor, 75 Ohm 1/8W 1%	F12	10086-10	Capacitor, .1mFd 50V
B22	10002-30	Resistor, 200 Ohm 1/8W 1%	F13	10002-72	Resistor, 549 Ohm 1/8W 1%

LOCATION	PART NO.	DESCRIPTION
F14	10327	Transistor, MPS2369
F15	10327	Transistor, MPS2369
F16	10062-20	Capacitor, 200pF 500V
F17	10086-10	Capacitor, .1mFd 50V
F18	10160	Diode, 1N4454
F19	10002-17	Resistor, 147 Ohm 1/8W 1%
F20	10327	Transistor, MPS2369
F22	10327	Transistor, MPS2369
H1	10022-68	Resistor, 680 Ohm 1/4W 5%
H3	10086-10	Capacitor, .1mFd 50V
H5	10160	Diode, 1N4454
H6	10323	IC, 74500
H14	10032-20	Resistor, 200 Ohm 1/2W 5%
H16	10033-22	Resistor, 2.2K 1/2W 5%
H17	10002-80	Resistor, 665 Ohm 1/8W 1%
H18	10002-80	Resistor, 665 Ohm 1/8W 1%
H19	10002-80	Resistor, 665 Ohm 1/8W 1%
H20	10002-80	Resistor, 665 Ohm 1/8W 1%
H21	10086-10	Capacitor, .1mFd 50V
H23	10327	Transistor, MPS2369
J6	10160	Diode, 1N4454
J11	10327	Transistor, MPS2369
J12	10327	Transistor, MPS2369
J14	10033-20	Resistor, 2K 1/2W 5%
J16	10327	Transistor, MPS2369
J17	10327	Transistor, MPS2369
J19	10086-10	Capacitor, .1mFd 50V
J20	10033-18	Resistor, 1.8K 1/2W 5%
J21	10327	Transistor, MPS2369
J22	10327	Transistor, MPS2369
K5	10086-10	Capacitor, .1mFd 50V
K6	10002-80	Resistor, 665 Ohm 1/8W 1%
K7	10002-80	Resistor, 665 Ohm 1/8W 1%
K9	10033-18	Resistor, 1.8K 1/2W 5%

LOCATION	PART NO.	DESCRIPTION
K11	10086-10	Capacitor, .1mFd 50V
K12	10002-33	Resistor, 215 Ohm 1/8W 1%
K13	10001-47	Resistor, 30.1 Ohm 1/8W 1%
K17	10086-10	Capacitor, .1mFd 50V
K20	10001-89	Resistor, 82.5 Ohm 1/8W 1%
K21	10003-25	Resistor, 1.78K 1/8W 1%
K22	10086-10	Capacitor, .1mFd 50V

SECTION VII.4a

D/CS PCB ASSEMBLY #11637-XX C
(See Note)

<u>LOCATION</u>	<u>PART NO.</u>	<u>DESCRIPTION</u>	<u>LOCATION</u>	<u>PART NO.</u>	<u>DESCRIPTION</u>
B1	10077-12	Capacitor, 12mFd 20V	H6	10021-82	Resistor, 82 Ohm 1/4W 5%
B3	10159	IC, 9601	H7	10021-82	Resistor, 82 Ohm 1/4W 5%
B13	10095-01	Capacitor, .1mFd 10V	H9	10062-30	Capacitor, 300pF 500V
D1	10097-01	Inductor, 1uH	H10	10023-10	Resistor, 1K 1/4W 5%
D3	10061-75	Capacitor, 75pF 500V (-01 only)	H13	10095-01	Capacitor, .1mFd 10V
	10062-12	Capacitor, 120pF 500V (-00 only)	H15	10134	IC, 7400
D5	-----	Resistor (test select) (-00, -01 only)	J1	10095-01	Capacitor, .1mFd 10V
D6	10003-89	Resistor, 8.25K 1/8W 1% (-01 only)	J3	10331	IC, 75450
	10004-03	Resistor, 10.5K 1/8W 1% (-00, -02 only)	J10	10023-10	Resistor, 1K 1/4W 5%
D8	-----	Resistor (test select) (-00, -01 only)	NOTE: D/CS PCB Options		
D9	10003-89	Resistor, 8.25K 1/8W 1% (-01 only)	11637-00 - 1500 RPM, Separated Data		
	10004-03	Resistor, 10.5K 1/8W 1% (-00, -02 only)	11637-01 - 2400 RPM, Separated Data		
D13	10061-75	Capacitor, 75pF 500V (-01 only)	11637-02 - 1500 RPM, Unseparated Data		
	10062-12	Capacitor, 120pF 500V (-00 only)			
D15	10159	IC, 9601			
E13	10095-01	Capacitor, .1mFd 10V			
E15	10133	IC, 7410			
F1	10077-12	Capacitor, 12mFd 20V			
F4	10062-30	Capacitor, 300pF 500V			
F9	10160	Diode, 1N4454			
F10	10021-10	Resistor, 10 Ohm 1/4W 5% (-02 only)			
F15	10139	IC, 7474			
H1	10077-12	Capacitor, 12mFd 20V			
H4	10021-82	Resistor, 82 Ohm 1/4W 5%			
H5	10021-82	Resistor, 82 Ohm 1/4W 5%			

SECTION VII.4b

VFC PCB ASSEMBLY #11519 B

<u>LOCATION</u>	<u>PART NO.</u>	<u>DESCRIPTION</u>	<u>LOCATION</u>	<u>PART NO.</u>	<u>DESCRIPTION</u>
A1	10095-01	Capacitor, .1mFd 10V	J8	10086-10	Capacitor, .1mFd 50V
A3	10325	IC, 74S10	J9	10329	Diode, 6.8V Zener, 1N4736A
A13	10095-01	Capacitor, .1mFd 10V	J13	10095-01	Capacitor, .1mFd 10V
A15	10323	IC, 74S00	J15	10159	IC, 9601
B1	10095-01	Capacitor, .1mFd 10V	J20	10023-51	Resistor, 5.1K 1/4W 5%
B3	10306	IC, 75452	J23	10071-10	Capacitor, .01mFd 200V
B7	10023-10	Resistor, 1K 1/4W 5%			
B8	10023-10	Resistor, 1K 1/4W 5%			
B13	10095-01	Capacitor, .1mFd 10V			
B15	10325	IC, 74S10			
D1	10097-01	Inductor, 1uH			
D3	10323	IC, 74S00			
D15	10323	IC, 74S00			
E1	10086-10	Capacitor, .1mFd 50V			
E3	10326	IC, 74S112			
E13	10095-01	Capacitor, .1mFd 10V			
E15	10323	IC, 74S00			
F1	10095-01	Capacitor, .1mFd 10V			
F3	10326	IC, 74S112			
F5	10023-10	Resistor, 1K 1/4W 5%			
F15	10052-24	Resistor, 240 Ohm 2W 5%			
F20	10023-10	Resistor, 1K 1/4W 5%			
H1	10041-82	Resistor, 82 Ohm 1W 5%			
H3	10324	IC, 74S04			
H15	10323	IC, 74S00			
J3	10330	Diode, 18V Zener, 1N4746A			
J4	10086-10	Capacitor, .1mFd 50V			
J5	10022-12	Resistor, 120 Ohm 1/4W 5%			
J6	10062-12	Capacitor, 120pF 500V			
J7	10023-12	Resistor, 1.2K 1/4W 5%			

SECTION VII.5a

VFI PCB ASSEMBLY #11989 A

<u>LOCATION</u>	<u>PART NO.</u>	<u>DESCRIPTION</u>	<u>LOCATION</u>	<u>PART NO.</u>	<u>DESCRIPTION</u>
A3	10326	IC, 74S112			
A13	10095-01	Capacitor, .1mFd 10V			
A15	10326	IC, 74S112			
B3	10326	IC, 74S112			
B15	10323	IC, 74S00			
D1	10097-01	Inductor, 1uH			
D3	10306	IC, 75452			
D7	10023-10	Resistor, 1K 1/4W 5%			
D8	10023-10	Resistor, 1K 1/4W 5%			
D10	10022-12	Resistor, 120 Ohm 1/4W 5%			
D15	10324	IC, 74S04			
E3	10325	IC, 74S10			
E10	10022-12	Resistor, 120 Ohm 1/4W 5%			
E13	10095-01	Capacitor, .1mFd 10V			
E15	10141	IC, 7493			
E22	10023-10	Resistor, 1K 1/4W 5%			
F1	10067-10	Capacitor, 10mFd 25V			
F3	10141	IC, 7493			
F15	10326	IC, 74S112			
H3	-----	(not used)			
H15	-----	(not used)			
J3	-----	(not used)			
J13	10095-01	Capacitor, .1mFd 10V			
J15	-----	(not used)			

SECTION VII.5b

VFS PCB ASSEMBLY #11627 C

LOCATION PART NO. DESCRIPTION

- 10023-10 Resistor, 1K 1/4W 5%
- + 10095-01 Capacitor, .1mFd 10V

SECTION VII.6

SC PCB ASSEMBLY #11459 C

<u>LOCATION</u>	<u>PART NO.</u>	<u>DESCRIPTION</u>	<u>LOCATION</u>	<u>PART NO.</u>	<u>DESCRIPTION</u>
A5	10024-10	Resistor, 10K 1/4W 5%	J3	10144	IC, 380
A6	10024-10	Resistor, 10K 1/4W 5%	J13	10095-01	Capacitor, .1mFd 10V
A9	10024-10	Resistor, 10K 1/4W 5%	J15	10134	IC, 7400
A13	10095-01	Capacitor, .1mFd 10V			
A15	-----	(not used)			
B3	10306	IC, 75452			
B8	10306	IC, 75452			
B15	10157	IC, 74157			
D1	10097-01	Inductor, 1uH			
D3	10062-10	Capacitor, 100pF 500V			
D4	10023-10	Resistor, 1K 1/4W 5%			
D5	10024-10	Resistor, 10K 1/4W 5%			
D6	10024-10	Resistor, 10K 1/4W 5%			
D9	10024-10	Resistor, 10K 1/4W 5%			
D10	10024-10	Resistor, 10K 1/4W 5%			
D15	10141	IC, 7493			
E3	10306	IC, 75452			
E8	10306	IC, 75452			
E13	10095-01	Capacitor, .1mFd 10V			
E15	10157	IC, 74157			
F1	10067-10	Capacitor, 10mFd 25V			
F3	10139	IC, 7474			
F11	10062-10	Capacitor, 100pF 500V			
F13	10032-30	Resistor, 300 Ohm 1/2W 5%			
F15	10141	IC, 7493			
H3	10128	IC, 836			
H11	10160	Diode, 1N4454			
H13	10032-12	Resistor, 120 Ohm 1/2W 5%			
H15	10139	IC, 7474			
J1	10021-47	Resistor, 47 Ohm 1/4W 5%			

SECTION VII.7a

RDRI PCB ASSEMBLY #11643-XX D
(See Note)

LOCATION	PART NO.	DESCRIPTION	LOCATION	PART NO.	DESCRIPTION
A5	10021-10	Resistor, 10 Ohm 1/4W 5% (-00, -01, -04, -05 only)	E20	10024-10	Resistor, 10K 1/4W 5%
A6	10023-47	Resistor, 4.7K 1/4W 5%	E21	10024-10	Resistor, 10K 1/4W 5%
A7	10023-47	Resistor, 4.7K 1/4W 5%	E22	10564-22	Wire Jumper, 22AWG Buss (-00, -03, -04, -05 only)
A8	10024-10	Resistor, 10K 1/4W 5%	F1	10067-10	Capacitor, 10mFd 25V
A10	10021-10	Resistor, 10 Ohm 1/4W 5% (-02, -03 only)	F3	10142	IC, 74121
A11	10021-47	Resistor, 47 Ohm 1/4W 5%	F10	10021-47	Resistor, 47 Ohm 1/4W 5%
A12	10024-10	Resistor, 10K 1/4W 5%	F11	10024-10	Resistor, 10K 1/4W 5%
A13	-----	(not used)	F13	10024-10	Resistor, 10K 1/4W 5%
A15	10306	IC, 75452	F15	10144	IC, 380
A20	10306	IC, 75452	F20	10023-47	Resistor, 4.7K 1/4W 5%
B3	10144	IC, 380	H3	10322	IC, 8836
B12	10564-22	Wire Jumper, 22AWG Buss (-00, -01, -02, -03 only)	H10	10160	Diode, 1N4454
B13	10095-01	Capacitor, .1mFd 10V	H13	10071-99	Capacitor, .1mFd 200V
B15	10134	IC, 7400	H14	10004-15	Resistor, 14K 1/8W 1%
D1	10097-01	Inductor, 1uH	H15	-----	Resistor, (test select)
D3	10322	IC, 8836	J5	10160	Diode, 1N4454
D10	10021-10	Resistor, 10 Ohm 1/4W 5% (-03 only)	J6	10032-12	Resistor, 120 Ohm 1/2W 5%
D12	10564-22	Wire Jumper, 22AWG Buss (-04 only)	J7	10032-30	Resistor, 300 Ohm 1/2W 5%
D14	10564-22	Wire Jumper, 22AWG Buss (-05 only)	J13	-----	(not used)
D15	10144	IC, 380	J15	10021-47	Resistor, 47 Ohm 1/4W 5%
E3	10322	IC, 8836	J16	10021-47	Resistor, 47 Ohm 1/4W 5%
E13	10095-01	Capacitor, .1mFd 10V	J17	10032-12	Resistor, 120 Ohm 1/2W 5%
E15	10021-47	Resistor, 47 Ohm 1/4W 5%	J18	10032-30	Resistor, 300 Ohm 1/2W 5%
E16	10021-47	Resistor, 47 Ohm 1/4W 5%			
E17	10021-47	Resistor, 47 Ohm 1/4W 5%			
E18	10021-47	Resistor, 47 Ohm 1/4W 5%			
E19	10024-10	Resistor, 4.7K 1/4W 5%			

NOTE: RDRI PCB Options

11643-00 No Sector Counter, No Interrupt,
Full File
11643-01 Sector Counter, No Interrupt,
Full File
11643-02 Sector Counter, Interrupt, Full File
11643-03 No Sector Counter, Interrupt,
Full File
11643-04 No Sector Counter, No Interrupt,
1/2 File
11643-05 No Sector Counter, No Interrupt,
1/4 File

SECTION VII.7b

RDRI PCB ASSEMBLY #11983-XX A
(See Note)

LOCATION	PART NO.	DESCRIPTION	LOCATION	PART NO.	DESCRIPTION
A1	10021-47	Resistor, 47 Ohm 1/4W 5%	F16	10024-10	Resistor, 10K 1/4W 5%
A3	10322	IC, 8836	F23	10024-10	Resistor, 10K 1/4W 5%
A11	10024-10	Resistor, 10K 1/4W 5%	H1	10021-47	Resistor, 47 Ohm 1/4W 5%
A15	10144	IC, 380	H3	10021-47	Resistor, 47 Ohm 1/4W 5%
A17	10024-10	Resistor, 10K 1/4W 5%	H13	10024-10	Resistor, 10K 1/4W 5%
A23	10023-47	Resistor, 4.7K 1/4W 5%	H15	10282	IC, 74153
B3	10322	IC, 7400	H17	10024-10	Resistor, 10K 1/4W 5%
B8	10564-22	Wire Jumper, 22AWG Buss (-00 only)	H24	10024-10	Resistor, 10K 1/4W 5%
B13	10024-10	Resistor, 10K 1/4W 5%	J4	10160	Diode, 1N4454
B15	10306	IC, 75452	J5	10022-30	Resistor, 300 Ohm 1/4W 5%
B20	10306	IC, 75452	J7	10032-12	Resistor, 120 Ohm 1/2W 5%
D1	10097-01	Inductor, 1uH	J10	10071-99	Capacitor, .1mFd 200V
D3	10322	IC, 7400	J13	10095-01	Capacitor, .1mFd 10V
D12	10095-01	Capacitor, .1mFd 10V	J14	-----	Resistor (test select)
D13	10023-47	Resistor, 4.7K 1/4W 5%	J15	10142	IC, 74121
D15	10134	IC, 7400	J22	10024-10	Resistor, 10K 1/4W 5%
D23	10024-10	Resistor, 10K 1/4W 5%	J24	10004-15	Resistor, 14K 1/8W 1%
E4	10021-47	Resistor, 47 Ohm 1/4W 5%	NOTE: RDRI PCB Options		
E5	10023-47	Resistor, 4.7K 1/4W 5%	11983-00 - Standard		
E8	10021-47	Resistor, 47 Ohm 1/4W 5%	11983-01 - Sector Counter		
E15	10322	IC, 7400			
F1	10067-10	Capacitor, 10mFd 25V			
F4	10160	Diode, 1N4454			
F5	10022-30	Resistor, 300 Ohm 1/4W 5%			
F7	10032-12	Resistor, 120 Ohm 1/2W 5%			
F9	10021-47	Resistor, 47 Ohm 1/4W 5%			
F10	10021-47	Resistor, 47 Ohm 1/4W 5%			
F11	10021-47	Resistor, 47 Ohm 1/4W 5%			
F14	10024-10	Resistor, 10K 1/4W 5%			
F15	10322	IC, 7400			



4

4



4

4



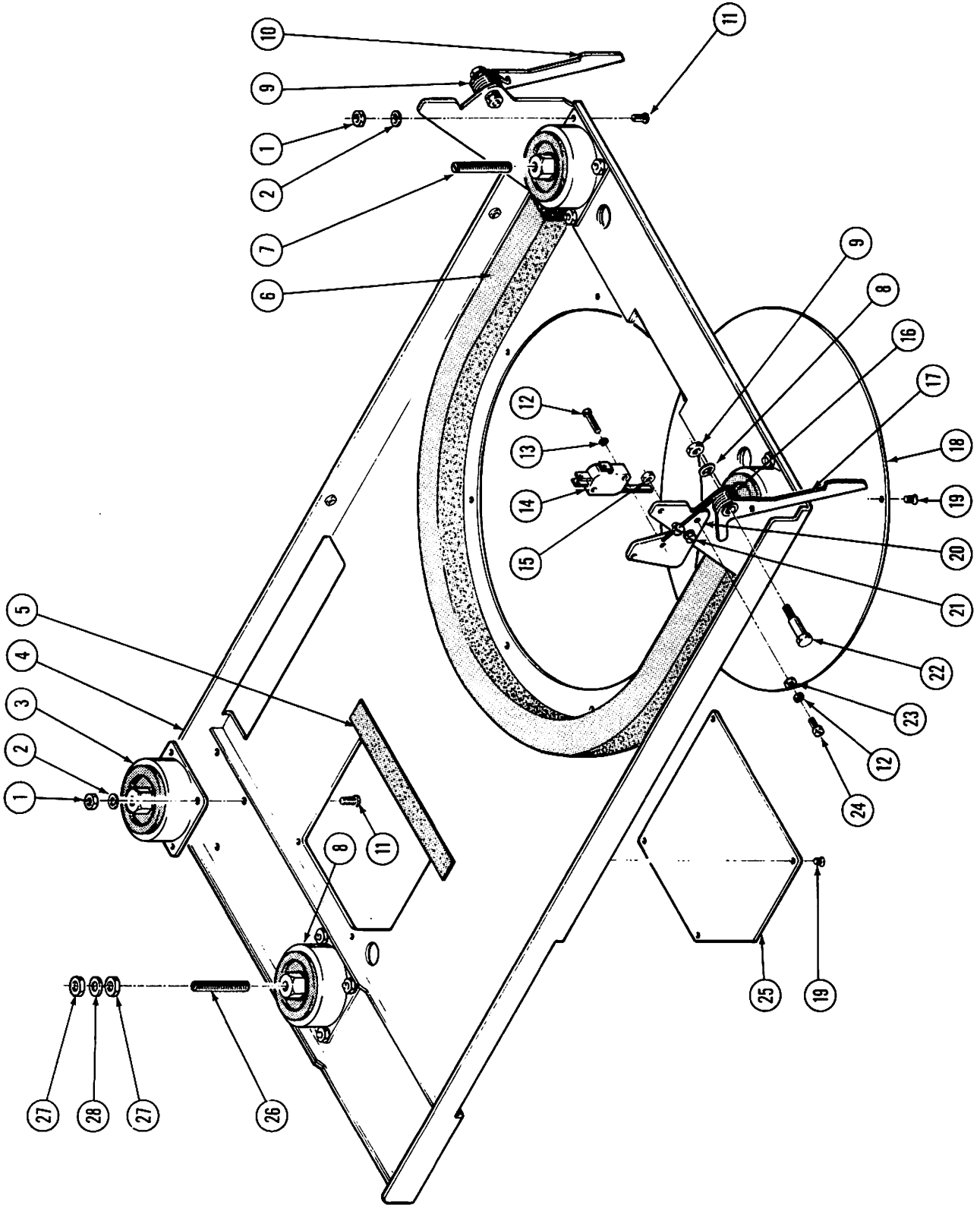


Figure 8-1
PAN ASSEMBLY

SECTION VIII.1

PAN ASSEMBLY

<u>ITEM NO.</u>	<u>PART NO.</u>	<u>DESCRIPTION</u>	<u>ITEM NO.</u>	<u>PART NO.</u>	<u>DESCRIPTION</u>
1	70166-10	Nut, Hex, 10-32	28	70168-13	Lockwasher, #10
2	70168-10	Lockwasher, #10			
3	16297-01	Shock Mount, Front & Right Rear			
4	16277-01	Pan			
5	16834	Pad, Self Adhesive			
6	16315	Gasket			
7	16296-02	Mounting Stud, Front			
8	16473	Shock Mount, Rear Center			
9	16139-02	Spring, Right			
10	16290-02	Latch, Interlock, Right			
11	70041-08	Screw, Undercut Flat Head Slotted, 10-32 x .500"			
12	70029-08	Screw, Pan Head Slotted, 4-40 x .500"			
13	70168-04	Lockwasher, #4			
14	70275	Microswitch			
15	70166-06	Nut, Hex, 6-32			
16	16139-01	Spring, Left			
17	16290-01	Latch, Interlock, Left			
18	16293	Cover			
19	70064-04	Screw, Undercut Flat Head Slotted, 4-40 x .250"			
20	16407	Switch Mounting Plate			
21	70030-06	Screw, Pan Head Slotted, 6-32 x .375"			
22	16167	Shoulder Bolt			
23	70169-04	Flatwasher, #4			
24	70029-06	Screw, Pan Head Slotted, 4-40 x .375"			
25	16295	Cover			
26	16296-01	Mounting Stud, Rear			
27	70164-13	Nut, Hex, 1/4-20			

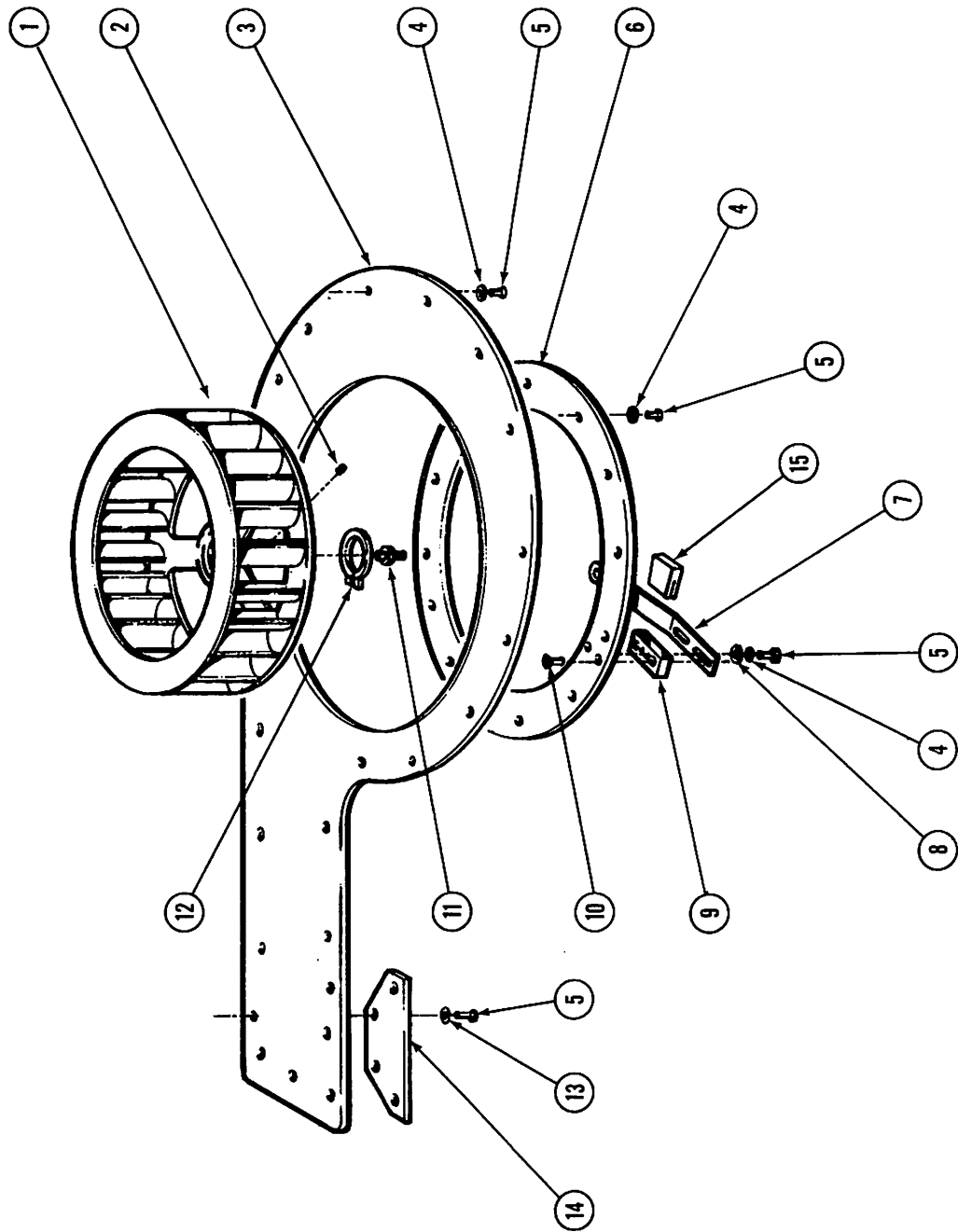


Figure 8-2
BLOWER AND COVER
ASSEMBLIES

SECTION VIII.2

BLOWER AND COVER ASSEMBLY

<u>ITEM NO.</u>	<u>PART NO.</u>	<u>DESCRIPTION</u>
1	16098	Blower, 1500 RPM
	16099	Blower, 2400 RPM
2	70295-08	Screw, Socket Set, 8-32 x .005"
3	16292	Cover
4	70168-06	Lockwasher, #6
5	70030-06	Screw, Pan Head Slotted, 6-32 x .375"
6	16293	Cover
7	16453	Grounding Brush
8	70169-06	Flatwasher, #6
9	16450	Mounting Block
10	70039-04	Screw, Undercut Flat Head Slotted, 6-32 x .250"
11	16106	Grounding Button
12	70340-13	Circlip
13	70168-04	Lockwasher, #4
14	16328	Clamping Plate
15	16821	Pad

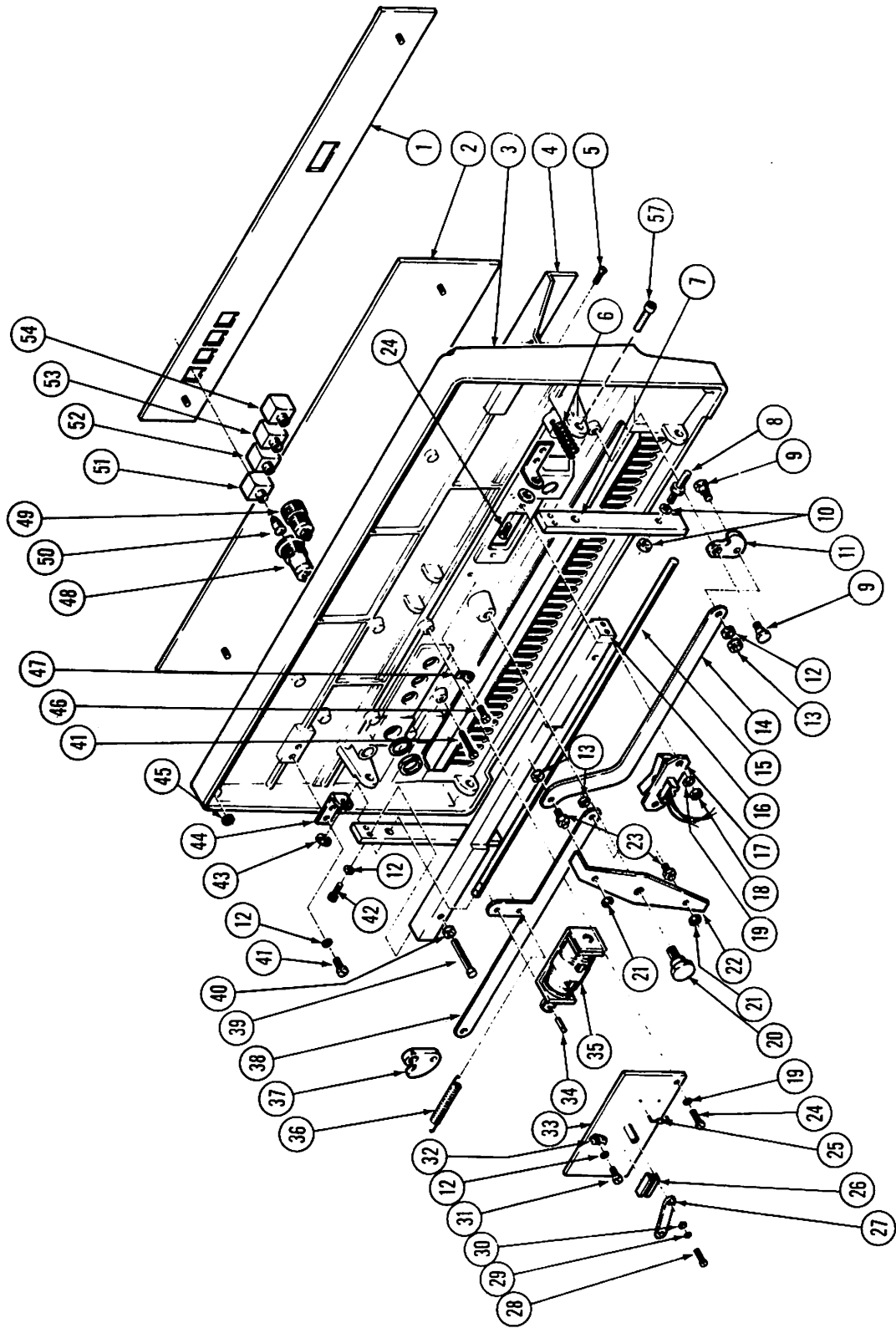


Figure 9-1
DOOR PANEL ASSEMBLY

SECTION IX.1

DOOR PANEL ASSEMBLY #16016-XX
(See Note)

<u>ITEM NO.</u>	<u>PART NO.</u>	<u>DESCRIPTION</u>	<u>ITEM NO.</u>	<u>PART NO.</u>	<u>DESCRIPTION</u>
1	16551-01	Trim, White (Power) Logo	21	70170-14	"E" Ring
	16551-02	Trim, White (Protect) No Logo	22	16544	Link
	16551-03	Trim, White (Power) No Logo	23	16547	Pivot
	16551-04	Trim, Off-White (Protect) No Logo	24	70029-06	Screw, Pan Head Slotted, 4-40 x .375"
	16551-05	Trim, Un-painted	25	10021-10	Resistor, 10 Ohm 1/4W 5%
2	16553-00	Trim, Un-painted	26	10596-00	Socket, 16-Pin
	16553-01	Trim, White	27	16710	Clamp, Connector
	16553-02	Trim, Lite Warm Gray	28	70027-04	Screw, Pan Head Slotted, 2-56 x .250"
	16553-03	Trim, Hunter Red	29	70168-02	Lockwasher, #2
	16553-04	Trim, Dark Royal Blue	30	70169-02	Flatwasher, #2
3	16541-01	Front Panel, Deep Charcoal	31	70030-04	Screw, Pan Head Slotted, 6-32 x .250"
4	16548-00	Handle, Un-painted	32	10512-00	Tab, Right Angle
	16548-01	Handle, Black	33	11499-00	Panel Distribution PCB Assembly (no write protect)
	16548-02	Handle, Dark Royal Blue		11499-01	Panel Distribution PCB Assembly (write protect)
5	70324-06	Screw, Undercut Flat Head Socket, 6-32 x .375"	34	15197	Pin
6	16409	Spring	35	15302	Solenoid Assembly
7	16549	Support	36	16140	Spring
8	16152	Interlock Pin	37	16545-01	Interlock
9	16546	Pivot	38	16543	Link
10	70168-08	Lockwasher, #8	39	70059-20	Screw, Hex Head, 10-32 x 1.250"
11	16545-02	Interlock	40	70166-08	Nut, Hex, 8-32
12	70168-06	Lockwasher, #6	41	70030-08	Screw, Pan Head Slotted, 6-32 x .500"
13	70166-06	Nut, Hex, 6-32	42	70076-08	Screw, Socket Head Set 6-32 x .500"
14	16542	Link	43	70170-14	"E" Ring
15	16147	Shaft, Support	44	16146	Bracket, Support
16	16276	Stiffener	45	70230	Bumper
17	10709	Switch, Rocker			
18	70166-04	Nut, Hex, 4-40			
19	70168-04	Lockwasher, #4			
20	16151	Pivot			

<u>ITEM NO.</u>	<u>PART NO.</u>	<u>DESCRIPTION</u>
46	70029-03	Screw, Pan Head Slotted, 4-40 x .187"
47	15035-10	Wire Clip, Nylon
48	70682	Socket, Push Switch
49	70683	Socket, Indicator
50	10545-01	Lamp
51	70684-04	Lens, Red
52	70684-03	Lens, Orange
53	79684-02	Lens, Yellow
54	70684-01	Lens, White
55	15196	Core, Solenoid
56	70170-03	"E" Ring
57	70078-08	Screw, Socket Cap, 10-32 x .500"

<u>ITEM NO.</u>	<u>PART NO.</u>	<u>DESCRIPTION</u>
-----------------	-----------------	--------------------

NOTE: Front Panel Options

- 16016-00 - Without Write Protect
- 16016-01 - With Write Protect
- 16016-04 - Desk Top Without Write Protect
- 16016-05 - Desk Top With Write Protect



9
:
4



5

4



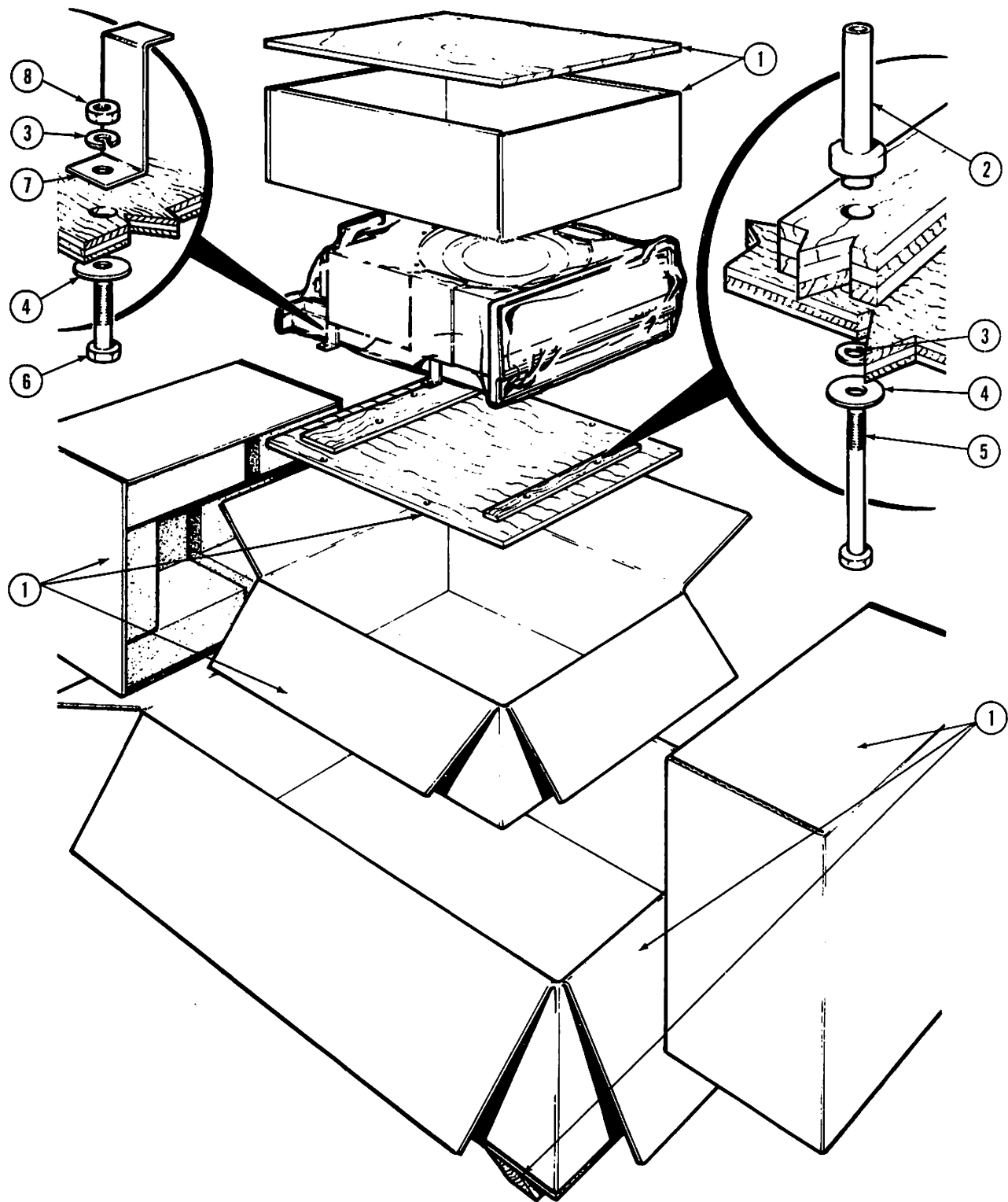


Figure 10-1
SHIPPING CONTAINER AND
MOUNTING ASSEMBLY

SECTION X.1

SHIPPING CONTAINER AND MOUNTING ASSEMBLY

<u>ITEM NO.</u>	<u>PART NO.</u>	<u>DESCRIPTION</u>
1	16037-00	Shipping Container Assembly, Standard
	16037-01	Shipping Container Assembly, Desk Top Interlock Units
2	16440	Standoff
3	70168-13	Lockwasher, #13
4	70367	Flatwasher
5	70061-62	Screw, Hex Head Machine, 1/4-20 x 3.875"
6	70061-16	Screw, Hex Head Machine, 1/4-20 x 1"
7	16441	Mounting Bracket
8	70166-16	Nut Hex, 1/4-20



6
1
2



3
4
5





1
5
2



1
2
3



