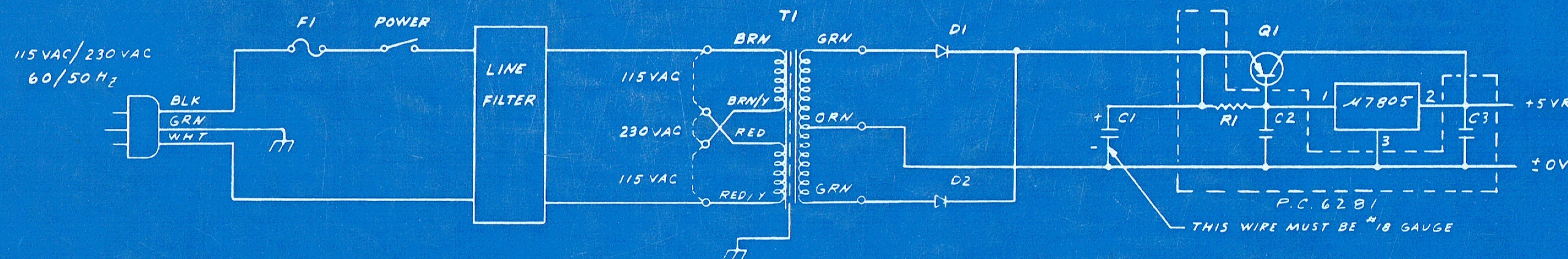


PRODUCT SERVICE

SCHEMATIC MANUAL



REFERENCE INFORMATION ONLY

NOT CONTROLLED



LABORATORIES, INC.

ONE INDUSTRIAL AVENUE, LOWELL, MASSACHUSETTS 01851, TEL. (617) 851-4111, TWX 710 343-6769, TELEX 94-7421

03-0019
SCHEMATIC MANUAL

May, 1977

SCHEMATIC MANUAL REPRINT

PRODUCT SERVICE SCHEMATIC MANUAL

© Wang Laboratories, Inc., 1974

The original quantity of schematic manuals was exhausted, necessitating a reprint. Because of the bulk of the original manual and the limited use of the first several sections, this reprint only contains the following sections: Model 1200/1222; 2200; PERIPHERALS; and DIABLO SERIES 40 DISK DRIVE. This reprinted manual contains all updates and revisions included in the first three schematic manual addenda.

This manual contains company proprietary information. Reproduction of this document in whole or in part without the authorized consent of Wang Laboratories, Inc. is prohibited.

WANG

LABORATORIES, INC.

836 NORTH STREET, TEWKSBURY, MASSACHUSETTS 01876, TEL (617) 851-4111, TWX 710 343-6769, TELEX 94 7421

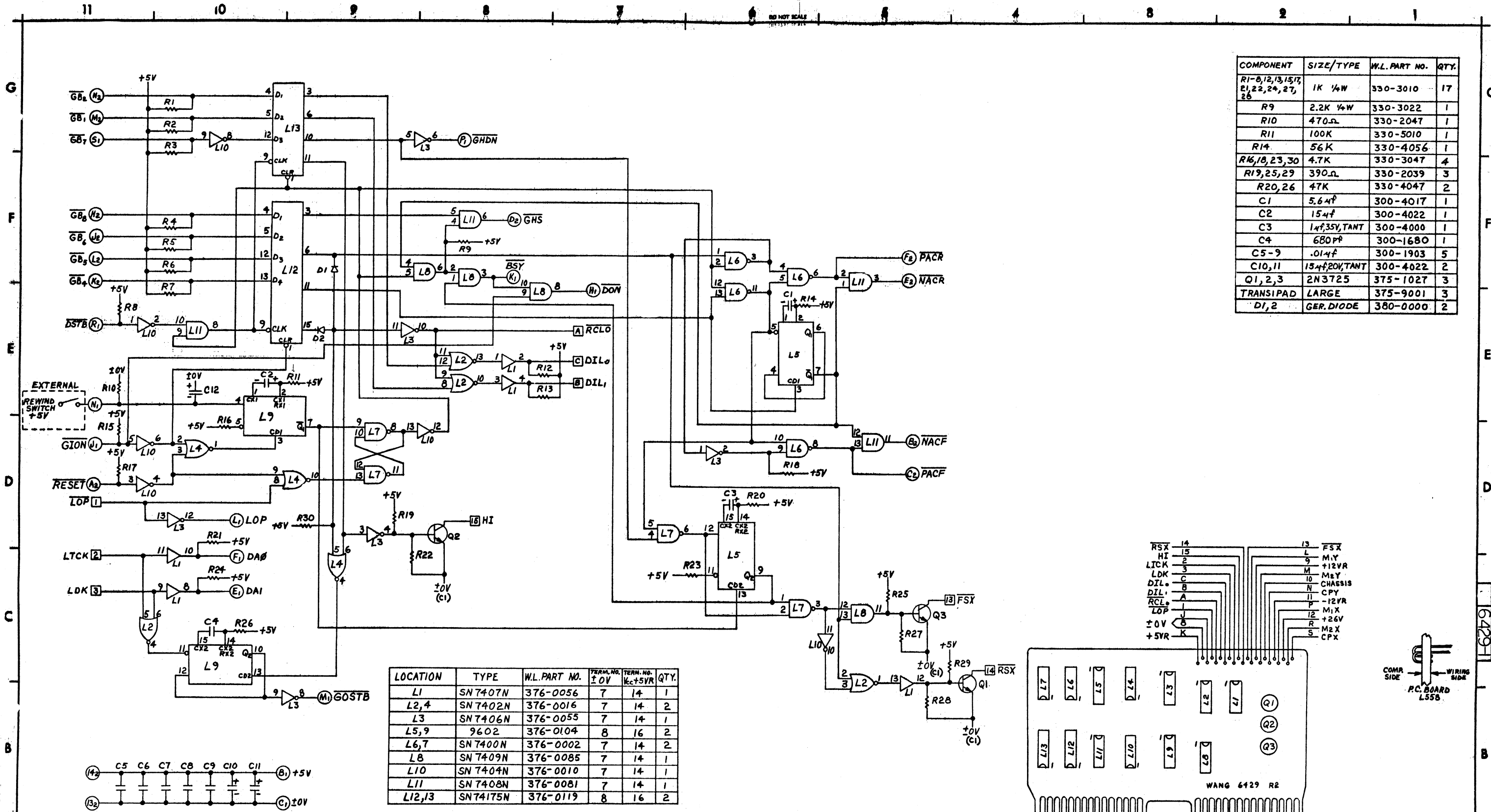
Printed in U.S.A.

MODEL 2200 SYSTEM

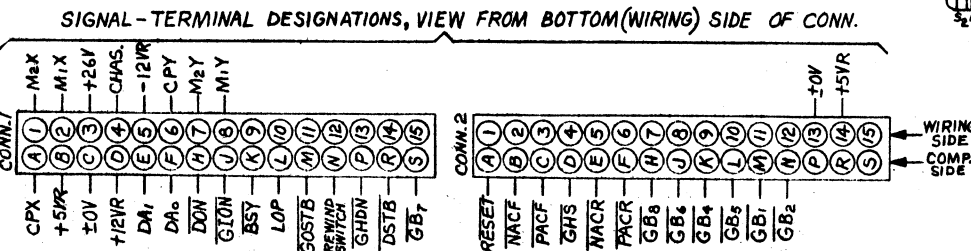
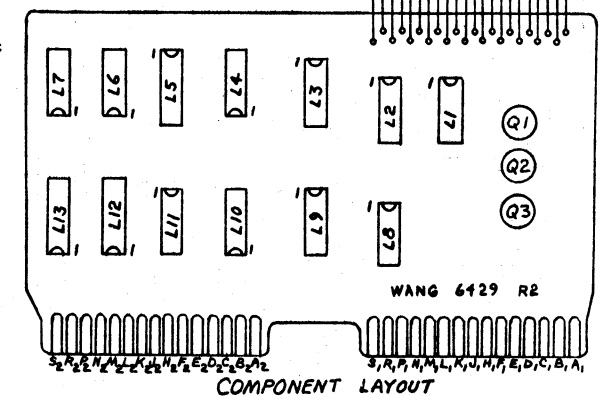
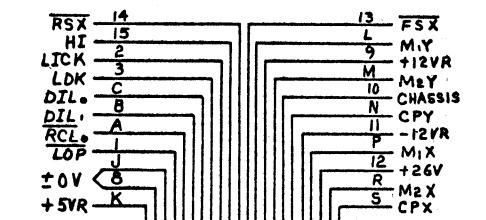
The following schematics are contained in this section in the following manner:

TITLE	DRAWING #	NO. OF SHEETS	TITLE	DRAWING #	NO. OF SHEETS
L558 TD MOTOR CONTROL	6429-1	2	6528 DUAL LANG. KBD. CONTR.	E6528-1	1
L559 TD AC CONTROL	C6430-1	1	6529 DUAL LANG. CRT. CONTR.	E6529-1	1
L567 REGULATOR	D6439	1	6533 2252 CONTROLLER	E6533-1	1
6222 2219 MOTHERBOARD	E6222	1	6534 2234/44 CONTROLLER	E6534-1	1
6225 2234A/44A CONTROLLER	E6225	1	6541 DISK CONTROLLER	D6541-1	1
6303 2215 KBD (MICRO SW.)	C6303-1	1	6541-1 ALL DISK CONTROLLER	D6541-1	1
6307 RAM	E6307-1	1	6543 2224 CONTROLLER	D6543-1	1
6308 MEMORY CONTROL (PROMS)	E6308-1	1	6547 C1E SUPER PATCH	E6547-14	1
6308-1 MEMORY CONTROL	E6308-2	1	6547 A1/A1E SUPER PATCH	E6547-10	1
6309 IC & PC REGISTERS	E6309-1	1	6547 B4/B4E SUPER PATCH	E6547-11	1
6310 ALU	E6310-1	1	6547 B5K SUPER PATCH	E6547-12	1
6311 I/O CONTROL	E6311-1	1	6548 NULL MODEM	B6548-1	1
6312 60 Hz CRT CONTROL	E6312-1	1	6560 2200S MOTHERBOARD	E6560	1
6312A 60 Hz CRT CONTROL	E6312A-1	1	6561 2201/02/12/32 CONTROLLER	D6561	1
6313 CRT CONTROL	E6313-1	1	6561-1 2201/02/12/32 CONTROLLER	D6561-1	1
6316 2217 CONTROLLER	C6316-1	1	6562 CASSETTE & KBD CONTROLLER	E6562	1
6317 2215/22 CONTROLLER (PROM)	E6317-1	1	6592 2252A CONTROLLER	E6592	1
6322 MOTHERBOARD	E6322-1	1	6707 2200S RAM	E6707-1	1
6324 2217/18 MOTHERBOARD	D6324-1	1	6708 2200S MEMORY CONTROL	E6708	1
6325 20-BIT ROM	6325-1	2	6709 IC & PC REGISTERS	E6709	1
6330 2222 KBD. (OAK)	C6330-1	1	6710 ALU	E6710	1
6348 2215 KBD. (OAK)	C6348-1	1	6713 PROG. CRT CONTROLLER	E6713	1
6350 50 Hz CRT CONTROL	E6350-1	1	6717 2200 RAM	E6717	1
6350A 50 Hz CRT CONTROL	E6350A-1	1	6723 BI SYNC CONTROLLER	E6723	1
6361 8-BIT ROM	D6361-1	1	6724 BI SYNC XMIT/REC	E6724	1
6361 8-BIT ROM PATCH	E6361-1	1	6725 20-BIT ROM	E6725	1
6362 2227 CONTROLLER	E6362-10,12	1	6735 20-BIT ROM	E6735	1
6362-1 2207 CONTROLLER	E6362-11,13	1	6741 KBD/PRINT/TAPE CONTR.	E6741	1
6367 2215/22 CONTROLLER	E6367	1	6742 KBD/PRINT/DISK CONTR.	E6742	1
6368 2201/02/12/32 CONTR. (ROM)	D6368	1	6768 2200S 9 I/O MB	E6768	1
6374 2203 CONTROLLER	D6374-1	1	6771 KEYBOARD CLICKER	C6771	1
6375/			6785 2230 MXA CONTROLLER	E6785	1
6375-14 2214/30/40/42 CONTROLLER	D6375-1	1	6786 2230 MXB CONTROLLER	E6786	1
6379 2221/31/41/61 CONTROLLER	D6379-1	1	7024 BI SYNC XMIT/REC	E7024	1
6383 MINI ROM TESTER	C6383-1	1	7042 KBD/PRINT/DISK CONTR.	E7042	1
6388 2218 CONTROLLER	D6388-1	1	2200 PWR SUPPLY	D6422-999	1
6394 2250 CONTROLLER	D6394-1	1	2200S 3 OR 6 I/O PWR SUPPLY	D6627-999	1
6443 2220/2223 KEYBOARD	D6443	1	2200S 9 I/O PWR SUPPLY	D6800-999	1
6449 2234A/44A MEMORY BOARD	D6449	1	2200S (3,6) AND 9 I/O HEAT SINKS	C6800-998	1
6522 MOTHERBOARD	E6522-1	1		C6627-998	
6527 A1/A1E SUPER PATCH	D6527-10	1	CPU POWER CABLE	C6422-125	1
6527 B1 SUPER PATCH	D6527-11	1	2200 TC CABLE	C6482-5	1
6527 B2/B2E SUPER PATCH	D6527-12	1	2200 MOTOROLA P.C. (CRT)	63D65165A19	
6527 B3K SUPER PATCH	D6527-13	1			

COMPONENT	SIZE/TYPER	W.L. PART NO.	QTY.
R1-8,12,13,15,17, 21,22,24,27, 28	1K 1/4W	330-3010	17
R9	2.2K 1/4W	330-3022	1
R10	470Ω	330-2047	1
R11	100K	330-5010	1
R14	56K	330-4056	1
R16,18,23,30	4.7K	330-3047	4
R19,25,29	390Ω	330-2039	3
R20,26	47K	330-4047	2
C1	5.64μF	300-4017	1
C2	154f	300-4022	1
C3	1μF,35V,TANT	300-4000	1
C4	680PF	300-1680	1
C5-9	.014f	300-1903	5
C10,11	154f,20V,TANT	300-4022	2
Q1,2,3	2N3725	375-1027	3
TRANSIPAD	LARGE	375-9001	3
D1,2	GER. DIODE	380-0000	2



LOCATION	TYPE	W.L. PART NO.	FORM. NO.	TERN. NO.	QTY.
L1	SN7407N	376-0056	7	14	1
L2,4	SN7402N	376-0016	7	14	2
L3	SN7406N	376-0055	7	14	1
L5,9	9602	376-0104	8	16	2
L6,7	SN7400N	376-0002	7	14	2
L8	SN7409N	376-0085	7	14	1
L10	SN7404N	376-0010	7	14	1
L11	SN7408N	376-0081	7	14	1
L12,13	SN74175N	376-0119	8	16	2



REV.	REVISION	DATE	BY	CHKD.
1	REVISED PER 6429-1	6-7-73	J.A.B.	J.A.B.
2	CHANGED PER RFA-0167	6-7-73	J.A.B.	J.A.B.
3	REU PER RFA 0596	11-17-73	J.A.B.	J.A.B.
4	REV. PER RFA 3022	12-27-73	J.A.B.	J.A.B.

WANG PART NO. — 220-0104

WANG LABORATORIES INC.
TEWKSBURY, MASS.

MODEL NO. 2200 DRAWN BY 6-8-73 APP'D. 6-8-73
CHECKED BY

TITLE SCHEMATIC LOGIBLOC #L558
MOTOR & PINCH CONTROL

SHT 1 OF 2 DATE 6429-1

6

5

4

DO NOT SCALE

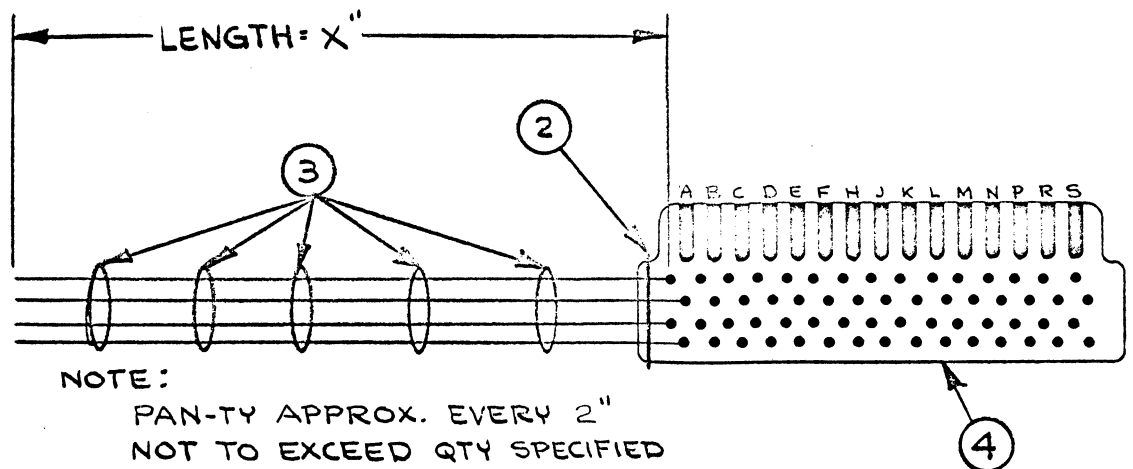
3

2

1

SIGNAL	SOLDER POINT	WIRE COLOR	CONN. PIN NO	WIRE X" LG.	W.L. PART NO	WIRE GAUGE
RCL ₀	A	WHT/BRN	A	14 1/4"	600-3091	# 26
DIL ₁	B	WHT/RED	B	14 1/4"	-3092	26
DIL ₀	C	WHT/ORN	C	14"	-3093	26
±0V	J	BLK	J	14 1/2"	-2000	24
+5VR	K	RED	K	14 1/2"	-2002	24
M ₁ Y	L	YEL	L	13 1/2"	-2004	24
M ₂ Y	M	WHT/YEL	M	13 1/2"	-2094	24
CPY	N	GRY/YEL	N	13 1/4"	-2084	24
M ₁ X	P	WHT/GRN	P	13"	-3095	26
M ₂ X	R	WHT/BLU	R	13"	-3096	26
CPX	S	WHT/VIO	S	13"	-3097	26
LOP	1	BRN	1	14 1/4"	-3001	26
LTCK	2	PINK	2	14"	-3022	26
LDK	3	ORN	3	14"	-3003	26
±0V(e1)	8	WHT/BLK	8	14 1/2"	-2090	24
+12VR	9	BLU	9	13 1/2"	-2006	24
CHASSIS	10	GRN/YEL	10	13 1/4"	-2054	24
-12VR	11	WHT	11	13 1/4"	-2009	24
+26V	12	VIO	12	13"	-2007	24
FSX	13	GRN	13	13 3/4"	-3005	26
RSX	14	GRY/BLU	14	13 3/4"	-3086	26
HI	15	VIO/GRY	15	13 3/4"	600-3078	# 26

HOLE LEGEND		
DRILLED OR PUNCHED HOLE TOLERANCES:	HOLE DIA.	TOL.
	.0135 to .125	+ .003 - .001
	.126 to .250	+ .004 - .001
	.251 to .500	+ .005 - .001
IDENT.	DESCRIPTION	QTY.
A		



NOTE:
PAN-TY APPROX. EVERY 2"
NOT TO EXCEED QTY SPECIFIED

510-5223C	4	1	P/C FINGER BOARD	
605-1004	3	5	CABLE TIE	PAN-TY
605-1001	2	AR	LACING, BLACK	
660-0202	1	AR	SOLDER	63-37 ALLOY

WANG PART NO.	ITEM	QTY.	NAME	MATERIAL	DESCRIPTION		
	Qty. Per Unit	FIRST USED ON	ASSY USED ON	BY	DATE	APPROVED BY	DATE
	1			DWN LARRY T	9-19-73	E ENGR	
				CHK CES	9/25/73	M ENGR	
				E. C. CONTROL		MFG ENGR	10-17-73
				TITLE MOTOR & PINCH CONTROL CABLE			
				220-0104	B	6429-1	4
				WANG PART NUMBER	SIZE	DRAWING NUMBER	REV.

BY	DATE
BY	DATE
REVISION	NO
1	1

SEE SHEET #1
LARRY T 9-19-73

WANG

LABORATORIES, INC.
TEWKSBURY, MASS. U. S. A.

MODEL NO.
2216/17, 2217

SEE ENGRG SPECIFICATIONS
No. ES-1001

TOL. EX. AS NOTED
.XX ± .010 FRAC. ± 1/64
.XXX ± .005 ANG. ± 1°30' FINISH

SCALE 1:1 SHT 2 OF 2

6

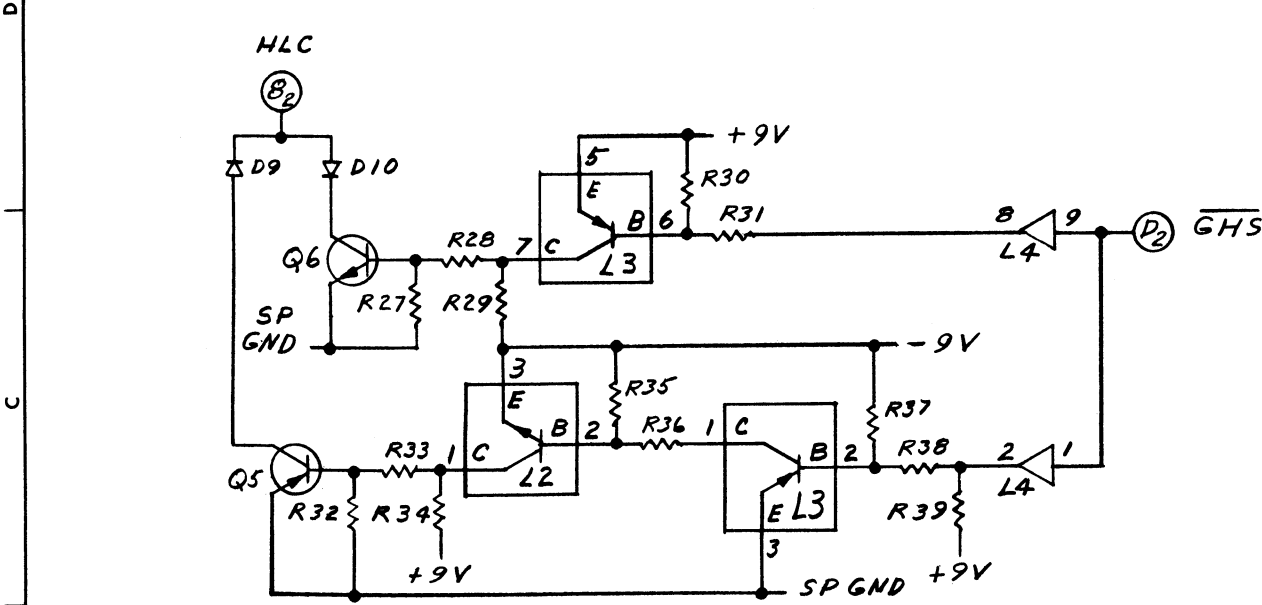
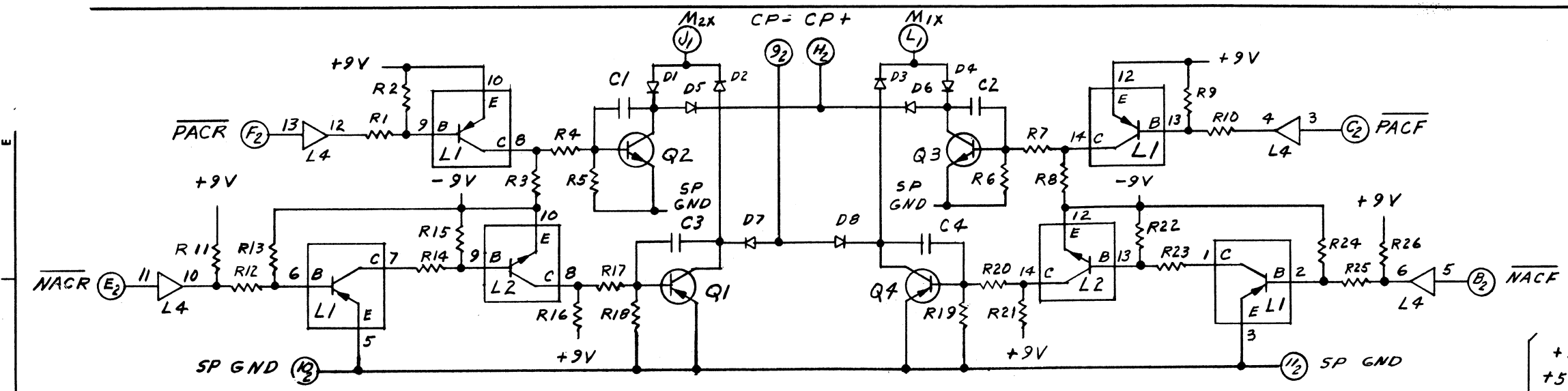
5

4

3

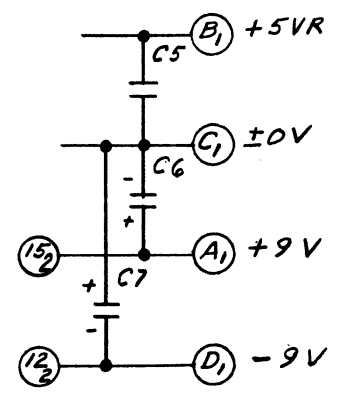
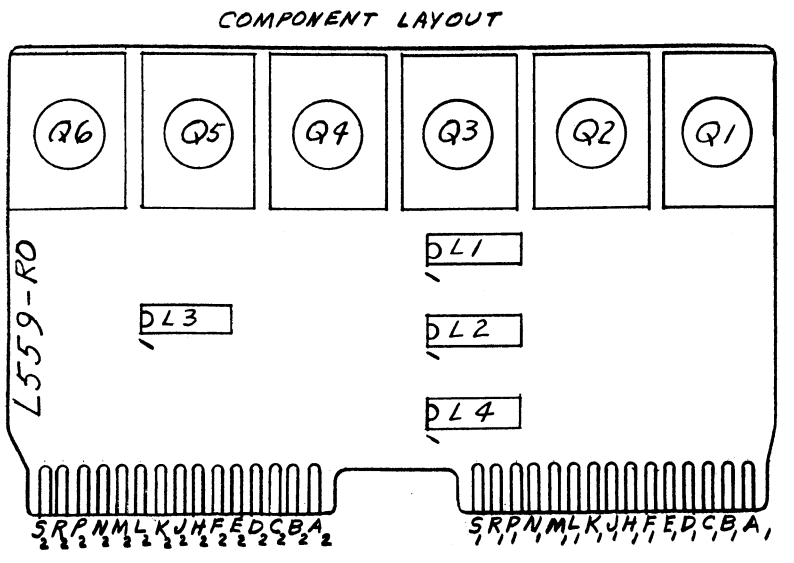
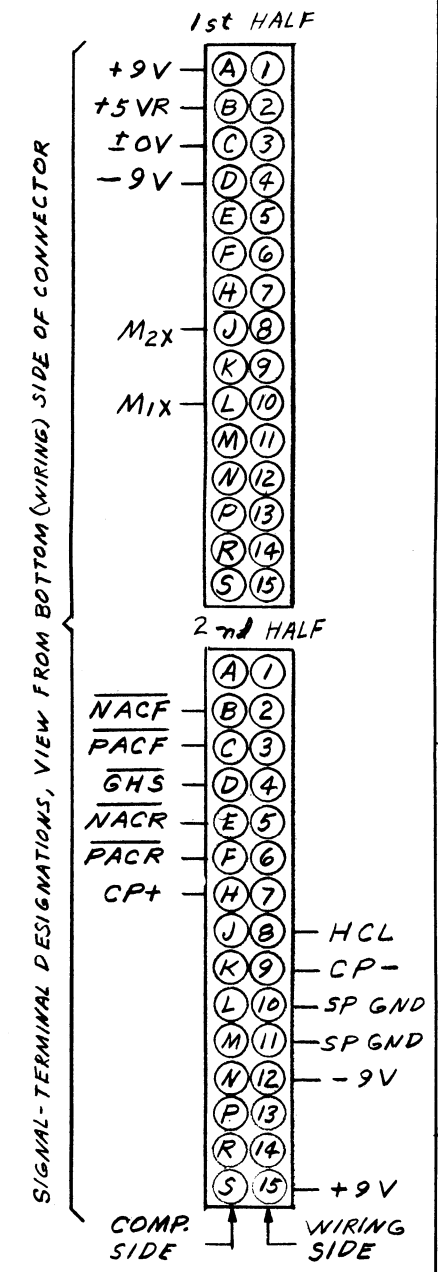
2

1



LOCATION	TYPE	W.L. PART NO.	TERM. No. 10V	TERM. No. Vcc +5VR	QTY
L1, 3	FPQ346B	376-0107	-	-	2
L2	FPQ3725	376-0106	-	-	1
L4	SN7407N	376-0056	7	14	1

COMPONENT	SIZE/TYPER	W.L. PART NO.	QTY
R1, 10, 11, 14, 23, 26, 31, 36, 39	680Ω 1/4W	330-206B	9
R2, 5, 6, 9, 18, 19, 27, 30, 32	2.2K 1/4W	330-3022	9
R3, 8, 16, 21, 29, 34	4.7K 1/4W	330-3047	6
R4, 7, 17, 20, 28, 33	100Ω 2W	337-2010	6
R12, 25, 38	3.3K 1/4W	330-3033	3
R13, 29, 37	6.8K 1/4W	330-306B	3
R15, 22, 35	47K 1/4W	330-4047	3
C1, 2, 3, 4	.14F MYLAL	300-2210	4
C5	.014F CER	300-1903	1
C6, 7	154F 20V TANT	300-4022	2
D1, 2, 3, 4, 5, 6, 7, 8, 9, 10	EM403	380-4000	10
Q1, 4, 5	2N5954	375-1032	3
Q2, 3, 6	2N40250	375-102B	3



TOL. EX. AS NOTED
 .XX ±.010 FRAC. ±1/
 .XXX ±.008 ANG. ±

WANG LABORATORIES INC.
 TEWKSBURY, MASS.

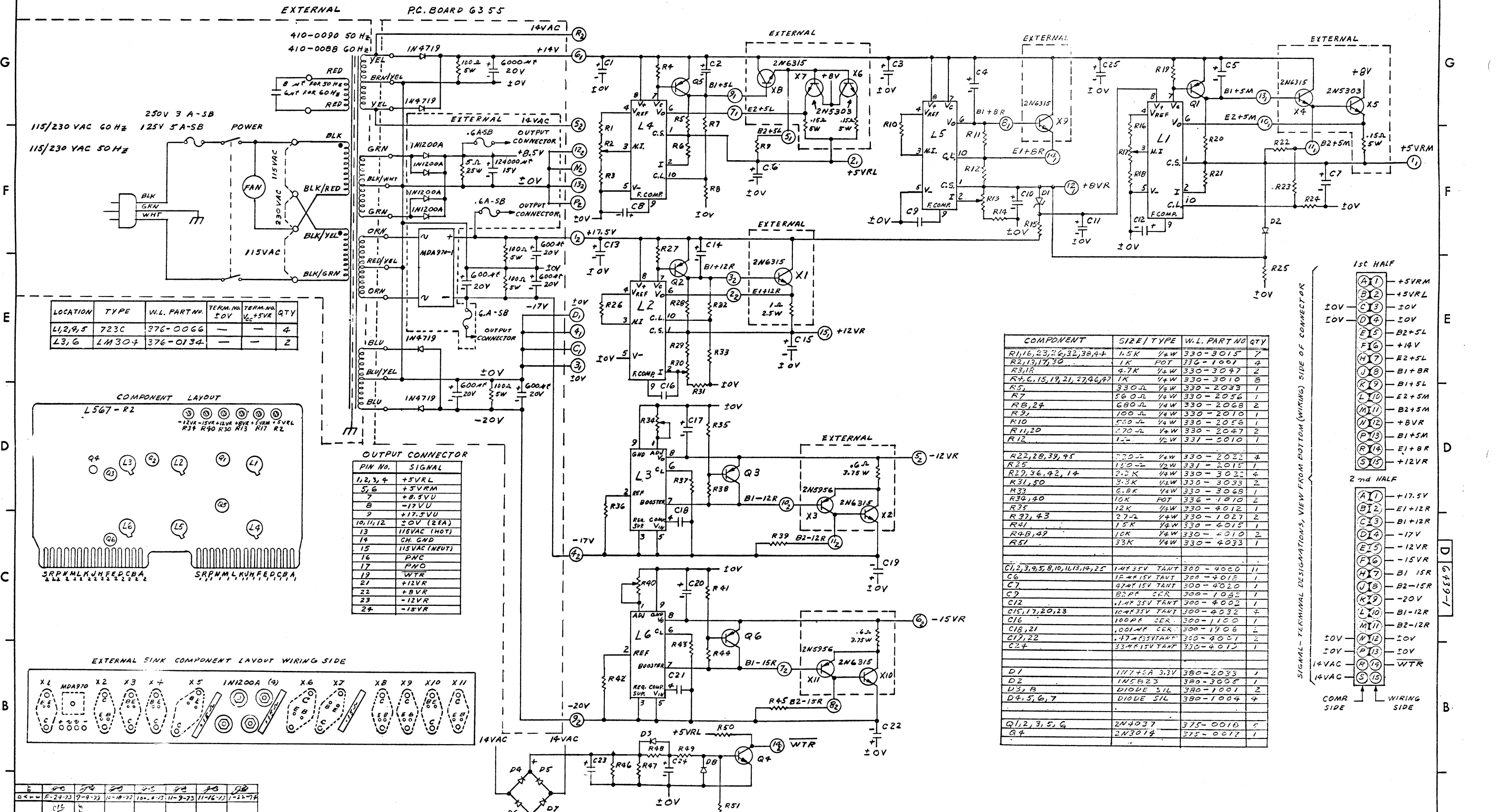
MODEL NO. 2200CASSETTE (TD 24)
 DRAWN *JB* 2-21-73 APP. *JB* 2/21/73
 CHECKED APP.

TITLE
 SCHEMATIC LOGIBLOC L 559
 A C MOTOR CONTROL

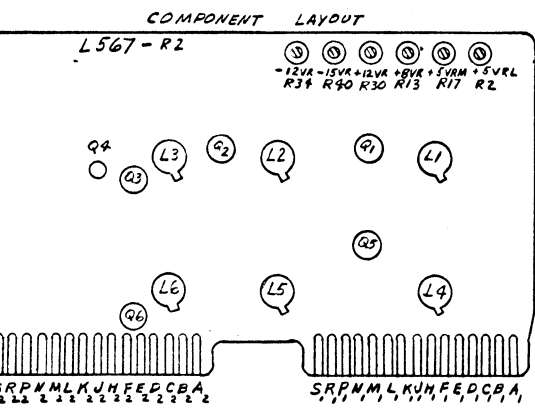
FINISH SCALE
 W.O. NO. DWG. NO. C 6430-1 REV.

E
D
C
B
A

E
D
C
B
A

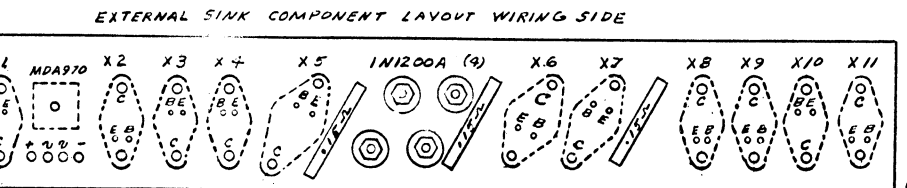


LOCATION	TYPE	W.L. PART NO.	TERM. NO. 10V	TERM. NO. V _{CC} +5V	QTY
L1,2,4,5	723C	376-0066	-	-	4
L3,6	LM304	376-0134	-	-	2



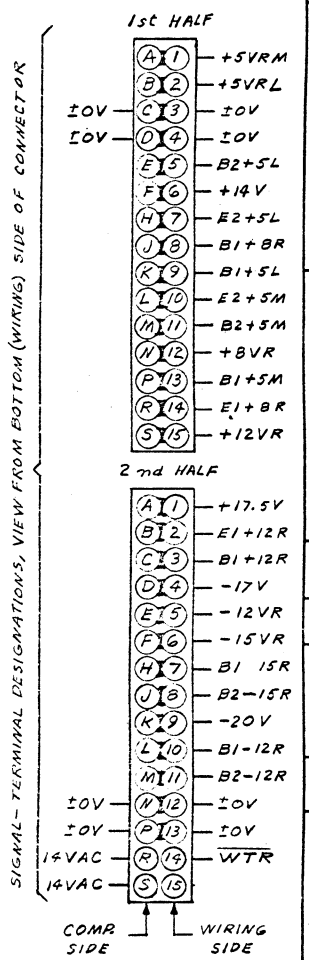
OUTPUT CONNECTOR

PIN NO.	SIGNAL
1,2,3,4	+5VRL
5,6	+5VVRM
7	+8.5V
8	-17V
9	+17.5V
10,11,12	±0V (2EA)
13	115VAC (HOT)
14	CH. GND
15	115VAC (NEUT)
16	PNC
17	PNO
19	WTR
21	+12V
22	+8V
23	-12V
24	-15V



COMPONENT

COMPONENT	SIZE / TYPE	W.L. PART NO.	QTY
R1,16,23,26,32,38,44	1.5K 1/4W	330-3015	7
R2,13,17,30	1K POT	330-1001	4
R3,18	4.7K 1/4W	330-3097	2
R4,C,15,19,21,27,46,47	1K 1/4W	330-3010	8
R5	330Ω 1/4W	330-2033	1
R7	560Ω 1/4W	330-2056	1
R8,24	680Ω 1/4W	330-2068	2
R9	100Ω 1/4W	330-2010	1
R10	500Ω 1/4W	330-2056	1
R11,20	170Ω 1/4W	330-2047	2
R12	1Ω 1/2W	331-5010	1
R22,28,39,45	700Ω 1/4W	330-2022	4
R25	150Ω 1/2W	331-2015	1
R29,36,42,14	2.2K 1/4W	330-3022	4
R31,50	3.3K 1/4W	330-3033	2
R33	6.8K 1/4W	330-3068	1
R34,40	10K POT	336-1010	2
R35	12K 1/4W	330-4012	1
R37,43	27Ω 1/4W	330-1027	2
R41	15K 1/4W	330-4015	1
R48,49	10K 1/4W	330-4010	2
R51	33K 1/4W	330-4033	1
C1,2,3,4,5,8,10,11,13,14,25	1MFT 35V TANT	300-4000	11
C6	15MFT 15V TANT	300-4018	1
C7	97MFT 15V TANT	300-4020	1
C9	82PF CER	300-1082	1
C12	1.47MFT 35V TANT	300-4002	1
C15,17,20,23	10MFT 35V TANT	300-4032	7
C16	100PF CER	300-1100	1
C18,21	.001MFT CER	300-1906	2
C17,22	.47MFT 35V TANT	300-4001	2
C24	33MFT 15V TANT	330-4012	1
D1	1N742A 3.3V	380-2033	1
D2	1N5823	380-3005	1
D3,8	DIODE SIL	380-1001	2
D4,5,6,7	DIODE SIL	380-1004	4
Q1,2,3,5,6	2N4037	375-0010	5
Q4	2N3014	375-0017	1



REVISION

REV	DATE	BY	DESCRIPTION
1	8-24-73	CS	REVISED PER RFA 0364 APP'D B.M.
2	9-9-73	CS	ADDED 2N5956 TO OUTLINE APP'D B.M.
3	10-18-73	CS	REVISED PER RFA 0364 APP'D B.M.
4	10-18-73	CS	REVISED PER RFA 0364 APP'D B.M.
5	11-9-73	CS	PER REV 380 R25 WAS 15V APP'D B.M.
6	11-16-73	CS	REVISED PER RFA 0364 APP'D B.M.
7	1-22-74	CS	REVISED PER RFA 0364 APP'D B.M.

WANG LABORATORIES INC.
TEWKESBURY, MASS.

MODEL NO. 2200 DRAWN 38 3-15-73 APP. B.O. 5-21-73
CHECKED 5-21-73 APP. B.O.

TITLE SCHEMATIC LOGIC BLOC L567AMP POWER REGULATOR PC.BD.6355

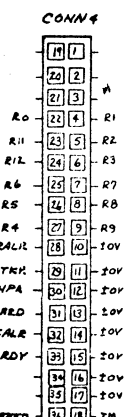
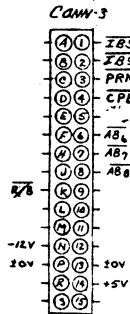
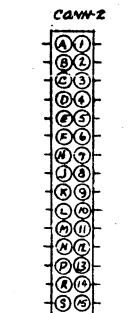
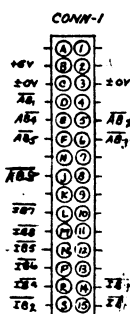
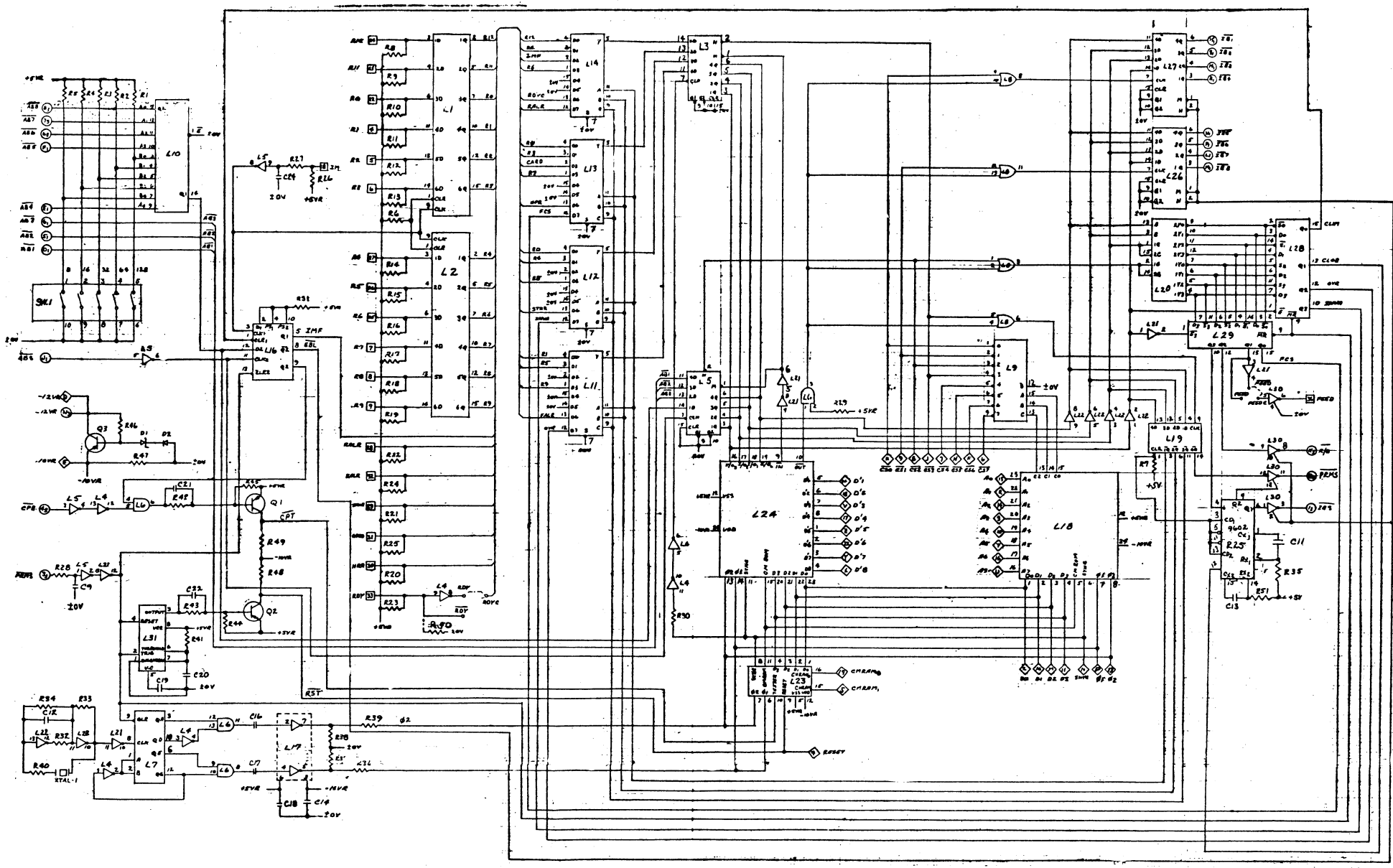
SHT OF 1 DWD. NO. 6439-1 REV 7

THIS DOCUMENT IS THE PROPERTY OF WANG LABORATORIES, INC. AND SHALL NOT BE REPRODUCED OR TRANSMITTED IN ANY FORM OR BY ANY MEANS, ELECTRONIC OR MECHANICAL, INCLUDING PHOTOCOPYING, RECORDING, OR BY ANY INFORMATION STORAGE AND RETRIEVAL SYSTEM, WITHOUT PERMISSION.

HOLE LEGEND		
DRILLED OR PUNCHED HOLE TOLERANCES	HOLE DIA. 100 ±0.010 110 ±0.010 120 ±0.010 130 ±0.010 140 ±0.010 150 ±0.010 160 ±0.010 170 ±0.010 180 ±0.010 190 ±0.010 200 ±0.010 210 ±0.010 220 ±0.010 230 ±0.010 240 ±0.010 250 ±0.010 260 ±0.010 270 ±0.010 280 ±0.010 290 ±0.010 300 ±0.010	
IDENT	DESCRIPTION QTY	
A		

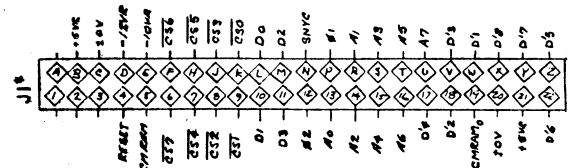
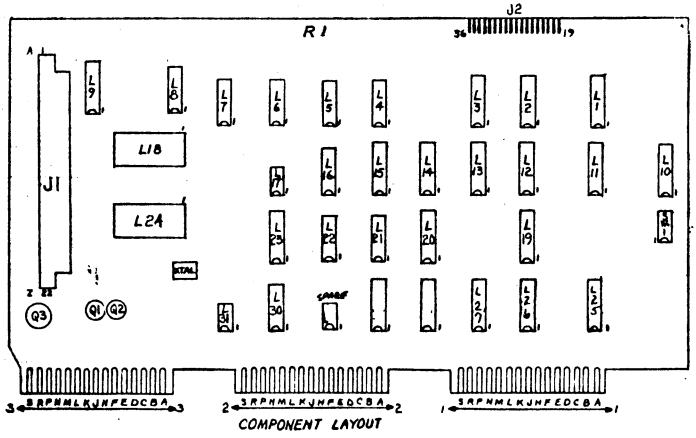
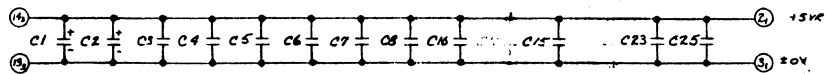
COMPONENT	N.L. NO.	TYPE
R1-7,29,31	330-4010	10K, 1/4W
R8-28	330-2039	390Ω, 1/4W
R27,28	330-2015	180Ω, 1/4W
R49,45	330-2027	270Ω, 1/4W
R32,40	330-2022	220Ω, 1/4W
R47,42,43	330-3010	1K, 1/4W
R34,39	330-2012	120Ω, 1/4W
R37,38	330-3022	2.2K, 1/4W
R34	330-2018	180Ω, 1/4W
R33	330-3018	1.8K, 1/4W
R46	330-1047	47Ω, 1/4W
R41	330-4047	47K, 1/4W
R35,31	330-4022	22K, 1/4W
R30	330-3068	6.8K, 1/4W
R48,49	331-2047	470Ω, 1/2W
R40	330-2010	1K, 1/4W
D1	380-2100	1N750A
AT4L-1	321-0008	10MHz
C12	300-4022	154pF
C3-10,15,16,25	300-1903	0.014μF
C18,14,20	300-1930	1/4μF/50V
C16,17,11,13	300-1820	820pF
C18,21,22	300-1047	47pF
L18,24	376-9003	24μH, 1/2W
J1	350-0022	14 PIN CONN.
D2	380-1001	
Q1,2	375-1011	6T54A
Q3	375-0018	2N4037
Q1,2	375-9004	TRANSIPAD
HERT SWIK	375-9010	
Q3	375-9001	TRANSIPAD

* OPTIONAL



LOCATION	TYPE	N.L. NO.	20V	+5V
L1,2	74174	376-0098	8	14
L3,15,24,21	74173	376-0137	8	14
L4,21,22	7404	376-0010	7	14
L5	7414	376-0139	7	14
L6	7408	376-0081	7	14
L7	74124	376-0102	7	14
L9	7442	376-0008	8	14
L10	9324	376-0120	8	14
L11-14	74151	376-0047	8	14
L16	7474	376-0006	7	14
L17	740026	376-0114	6	14
L18	4008	377-0208	12	14
L19	74175	376-0119	8	14
L20	74155	376-0049	8	14
L23	4004	377-0204	5	14
L24	4009	377-0207	12	14
L8	7432	376-0093	7	14
L29,28	9314	376-0108	8	14
L31	NE555	376-0126	1	8
L30	8T09	376-0078	7	14
SW 1	SWITCH	375-2010	-	-
L35	9602	376-0104	8	14

(YELLOW DOT)



E.R.V. O

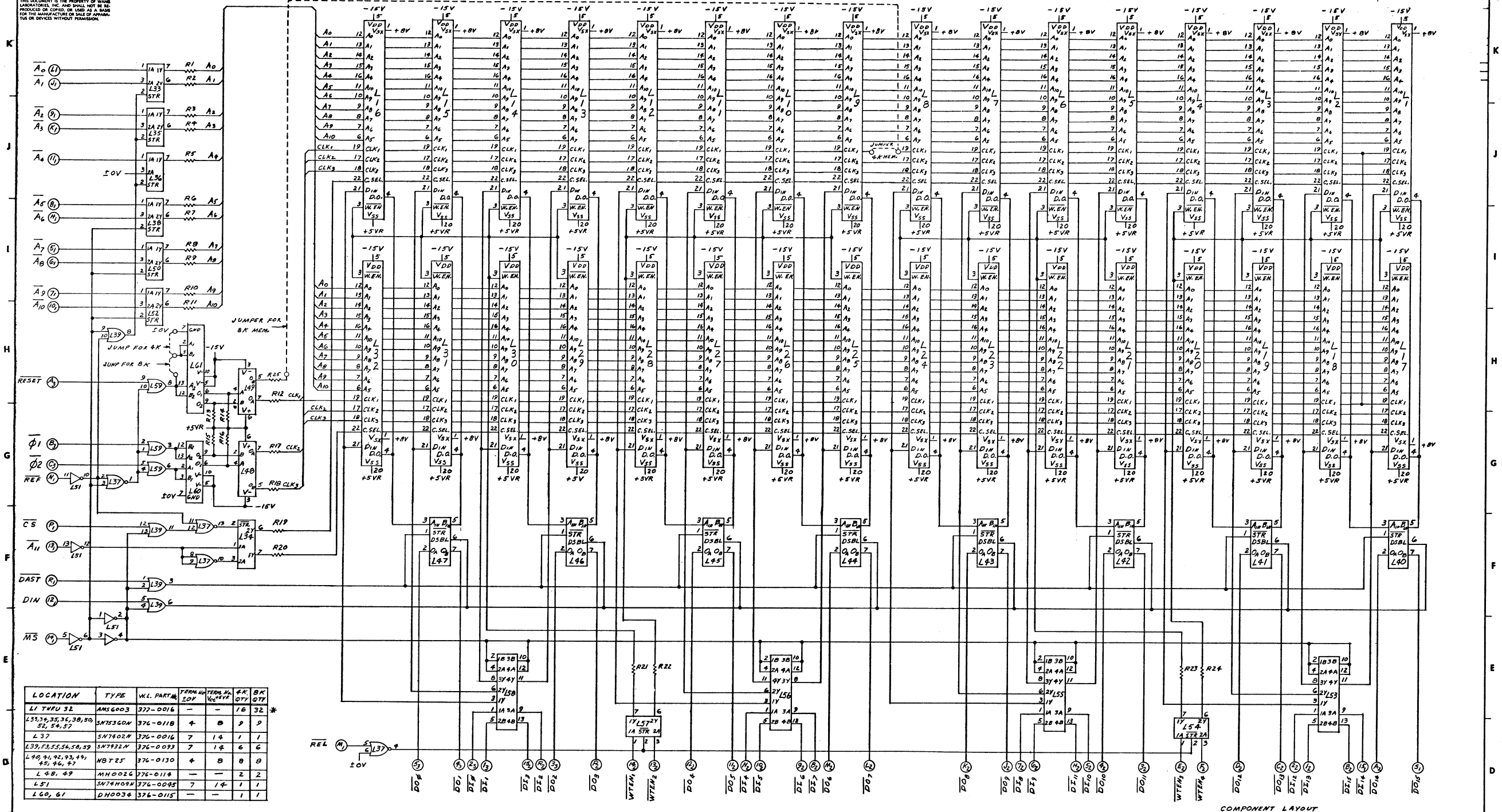
* SEE DRAW 6149 FOR R19, R20 MOUNTING BOARD

REV	DATE	BY	DESCRIPTION
1			
2			
3			
4			
5			
6			
7			
8			
9			
10			
11			
12			
13			
14			

WANG PART NO.	ITEM	QTY	N.A.M.E.	MATERIAL	DESCRIPTION
210-6225	E	6225	1		

WANG LABORATORIES, INC.

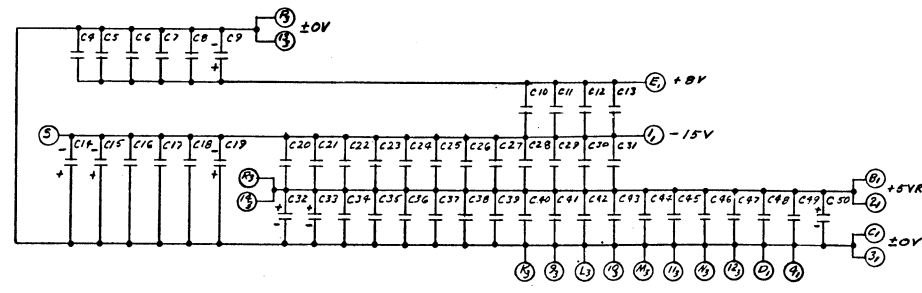
MODEL NO 2214A F
 TITLE SCHEMATIC LOGIC BLOCK
 FOR 6225 CONTROL BOARD
 210-6225 E 6225 1



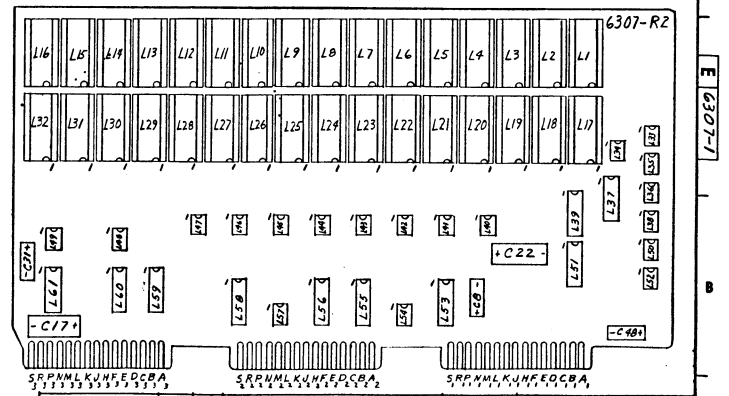
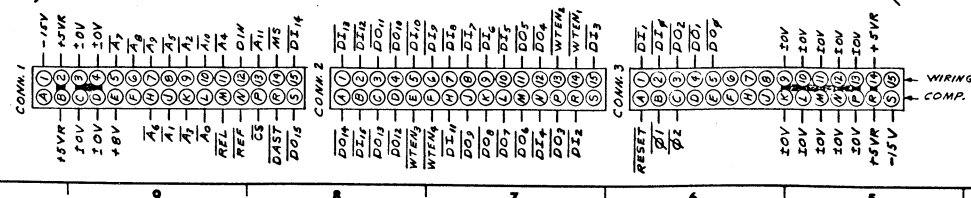
LOCATION	TYPE	W.L. PART NO.	FORM	TERMS	PK QTY	BK QTY
L1 THRU 32	AMS6003	372-0016	10P	16	32	**
L33, 34, 35, 36, 38, 39, 40, 41, 42, 43, 44, 45, 46, 47	SN75350N	376-0118	+	8	8	9
L37	SN7402N	376-0016	7	14	1	1
L39, 43, 45, 46, 49	SN7432N	376-0093	7	14	6	6
L40, 41, 42, 43, 44, 45, 46, 47	SN7425	376-0130	+	8	8	8
L48, 49	MH0026	376-0114	-	-	2	2
L51	SN74H09N	376-0095	7	14	1	1
L60, 61	DH0034	376-0115	-	-	1	1

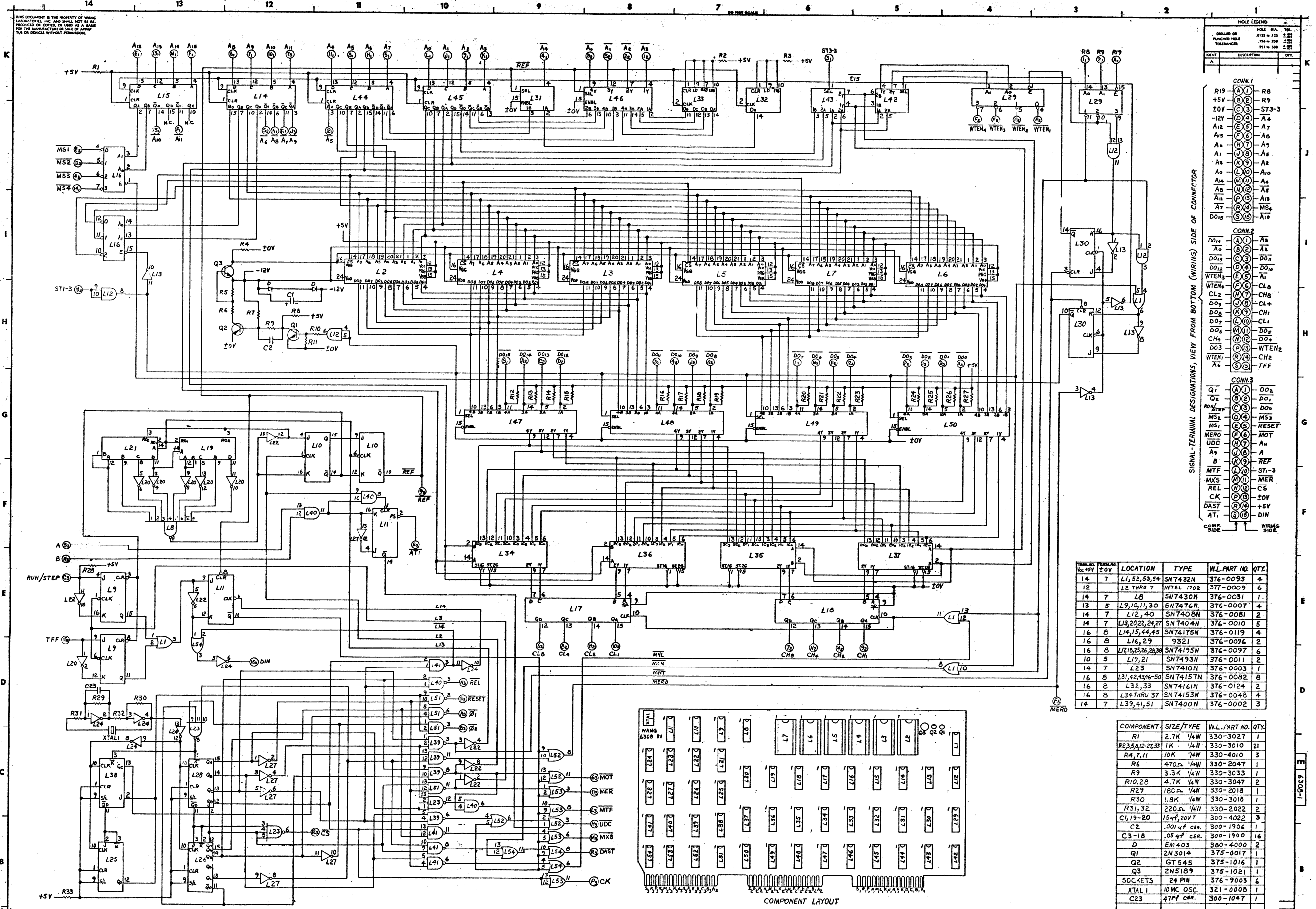
COMPONENT	SIZE/TYPE	W.L. PART NO.	PK QTY	BK QTY
R1, 2, 3, 4, 5, 6, 7, 8, 9, 10, 11, 12, 13, 14, 15	10.0L5% 1/4W	330-1011	14	15
R12	15.0L5% 1/4W	330-1016	1	1
R13, 14, 15, 16	1K 5% 1/4W	331-3011	3	4
R21, 22, 23, 24, 25	22.0L5% 1/4W	330-1023	5	5
C8, 9, 10, 11, 12, 13, 14, 15, 16, 17, 18, 19, 20, 21, 22, 23, 24, 25, 26, 27, 28, 29, 30, 31, 32, 33, 34, 35, 36, 37, 38, 39, 40, 41, 42, 43, 44, 45, 46, 47, 48, 49	1.0T CER	300-1930	40	40
CP	47.0P 20V TANT	300-4034	1	1
C19, 19	50.0M 50VDC	300-3010	2	2
C15, 33	22.0M TANT	300-4006	2	2
C32, 50	97.0P 15V TANT	300-4020	2	2

* DELETE L17 THRU32 ON 4K
 ** DELETE R20 ON 4K
 *** DELETE R14 ON 4K
 **** DELETE R25 ON 4K



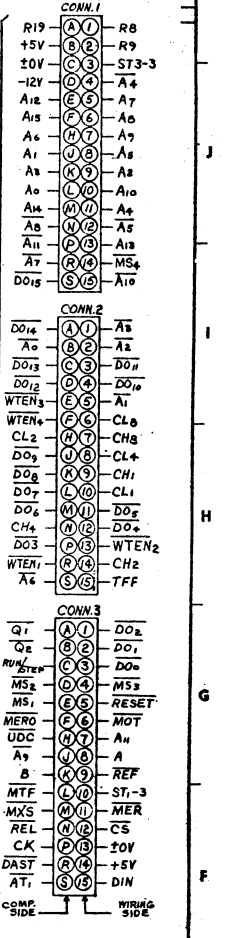
SIGNAL-TERMINAL DESIGNATIONS, VIEW FROM BOTTOM (WIRING) SIDE OF CONNECTOR





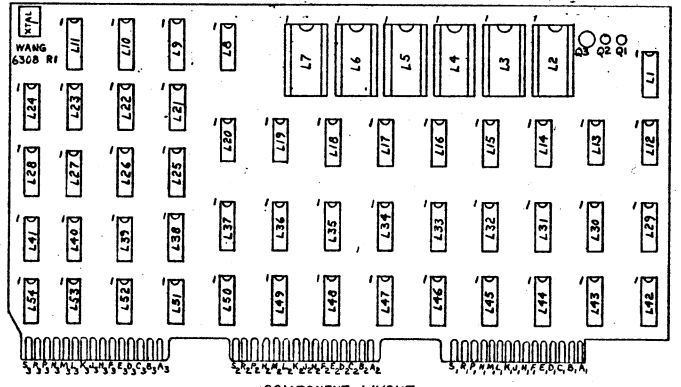
HOLE LEGEND

DRILL NO.	HOLE DIA.	TYP.
1	.118	2.00
2	.130	2.00
3	.150	2.00



TERMINAL NO.	TERMINAL TYPE	LOCATION	TYPE	W.L. PART NO.	QTY.
14	7	L1,52,53,54	SN7432N	376-0093	4
12	7	L2 THRU 7	INTEL 1702	377-0009	6
14	7	L8	SN7430N	376-0031	1
13	5	L9,10,11,30	SN7476N	376-0007	4
14	7	L12,40	SN7408N	376-0081	2
14	7	L13,20,22,24,27	SN7404N	376-0010	5
16	8	L14,15,44,45	SN74175N	376-0119	4
16	8	L16,29	9321	376-0096	2
16	8	L17,10,25,26,28,38	SN74195N	376-0097	6
10	5	L19,21	SN7493N	376-0011	2
14	7	L23	SN7410N	376-0003	1
16	8	L31,42,43,46-50	SN74157N	376-0082	8
16	8	L32,33	SN74161N	376-0124	2
16	8	L34 THRU 37	SN74153N	376-0048	4
14	7	L39,41,51	SN7400N	376-0002	3

COMPONENT	SIZE/TYP.	W.L. PART NO.	QTY.
R1	2.7K 1/4W	330-3027	1
R2,5,9,12-27,33	1K 1/4W	330-3010	21
R4,7,11	10K 1/4W	330-4010	3
R6	470Ω 1/4W	330-2047	1
R9	3.3K 1/4W	330-3033	1
R10,28	4.7K 1/4W	330-3047	2
R29	180Ω 1/4W	330-2018	1
R30	1.8K 1/4W	330-3018	1
R31,32	220Ω 1/4W	330-2022	2
C1,19-20	15μF 20V	300-4022	3
C2	.001μF CER.	300-1904	1
C3-18	.05μF CER.	300-1900	16
D	EM403	380-4000	2
Q1	2N3014	375-0017	1
Q2	GT545	375-1016	1
Q3	2N5189	375-1021	1
SOCKETS	24 PIN	376-9003	6
XTAL 1	10MC OSC.	321-0008	1
C23	47PF CER.	300-1047	1



LOCATION	TYPE	W.L. PART NO.
L2	INTEL 1702	377-0147
L3	INTEL 1702	377-0148
L4	INTEL 1702	377-0146
L5	INTEL 1702	377-0150
L6	INTEL 1702	377-0151
L7	INTEL 1702	377-0149

WANG PART NO.	ITEM	QTY.	NAME	MATERIAL	DESCRIPTION
6308-1	1	1	WANG	6308-1	SCHEMATIC LOGIBLOC #6308 MEMORY CONTROL

WANG LABORATORIES, INC.
TEMPERLEY, MASS. U.S.A.

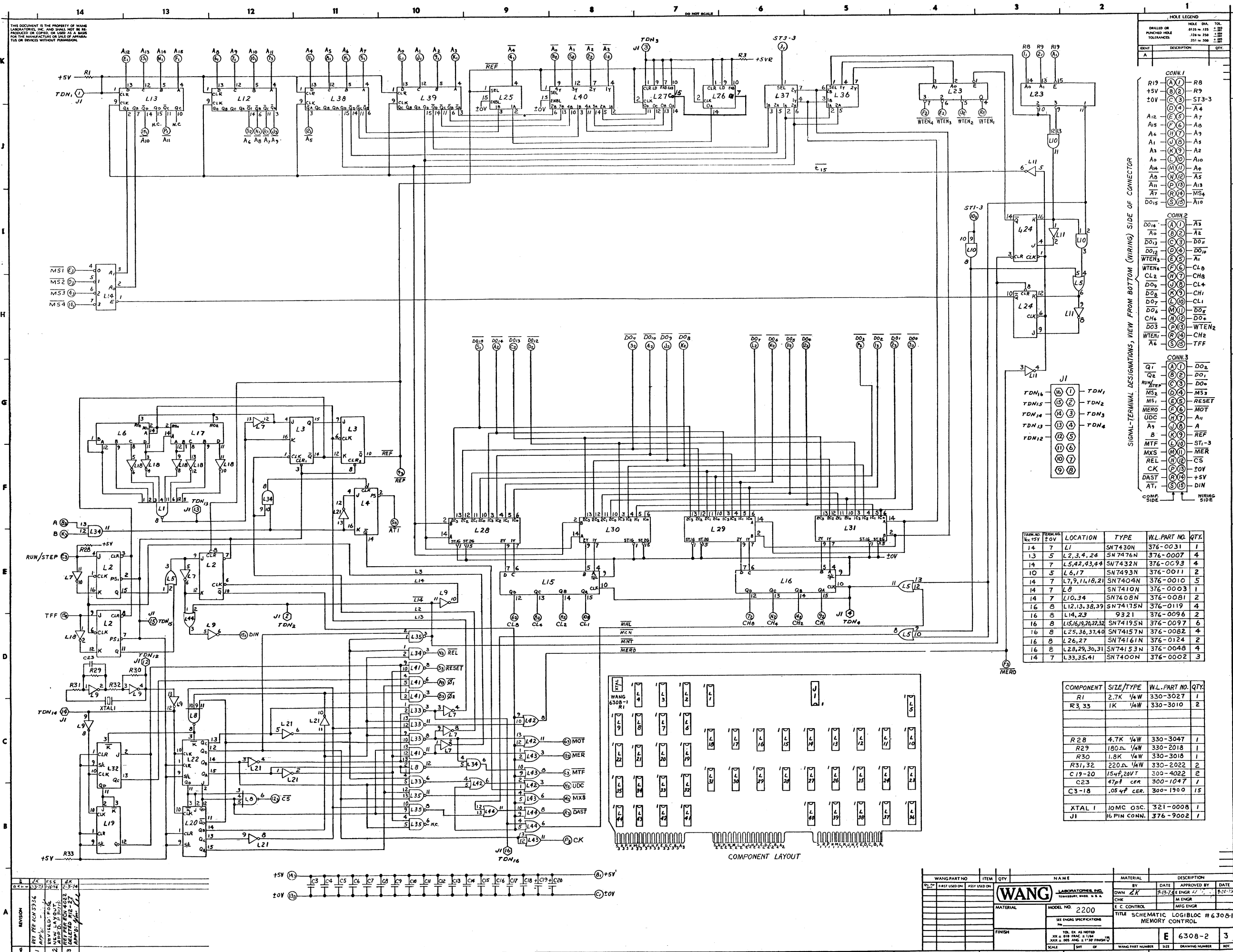
MODEL NO. 2200

TITLE SCHEMATIC LOGIBLOC #6308 MEMORY CONTROL

DATE 2-7-73

SCALE 1:1

FINISH



HOLE LEGEND

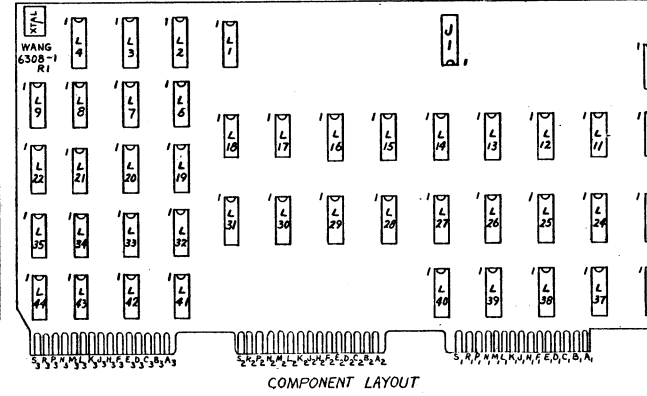
DRILLED OR PUNCHED HOLE	HOLE DIA.	TOL.
DRILLED HOLE	.015 - .125	±.002
PUNCHED HOLE	.125 - .250	±.003
TOLERANCES	.251 - .500	±.005

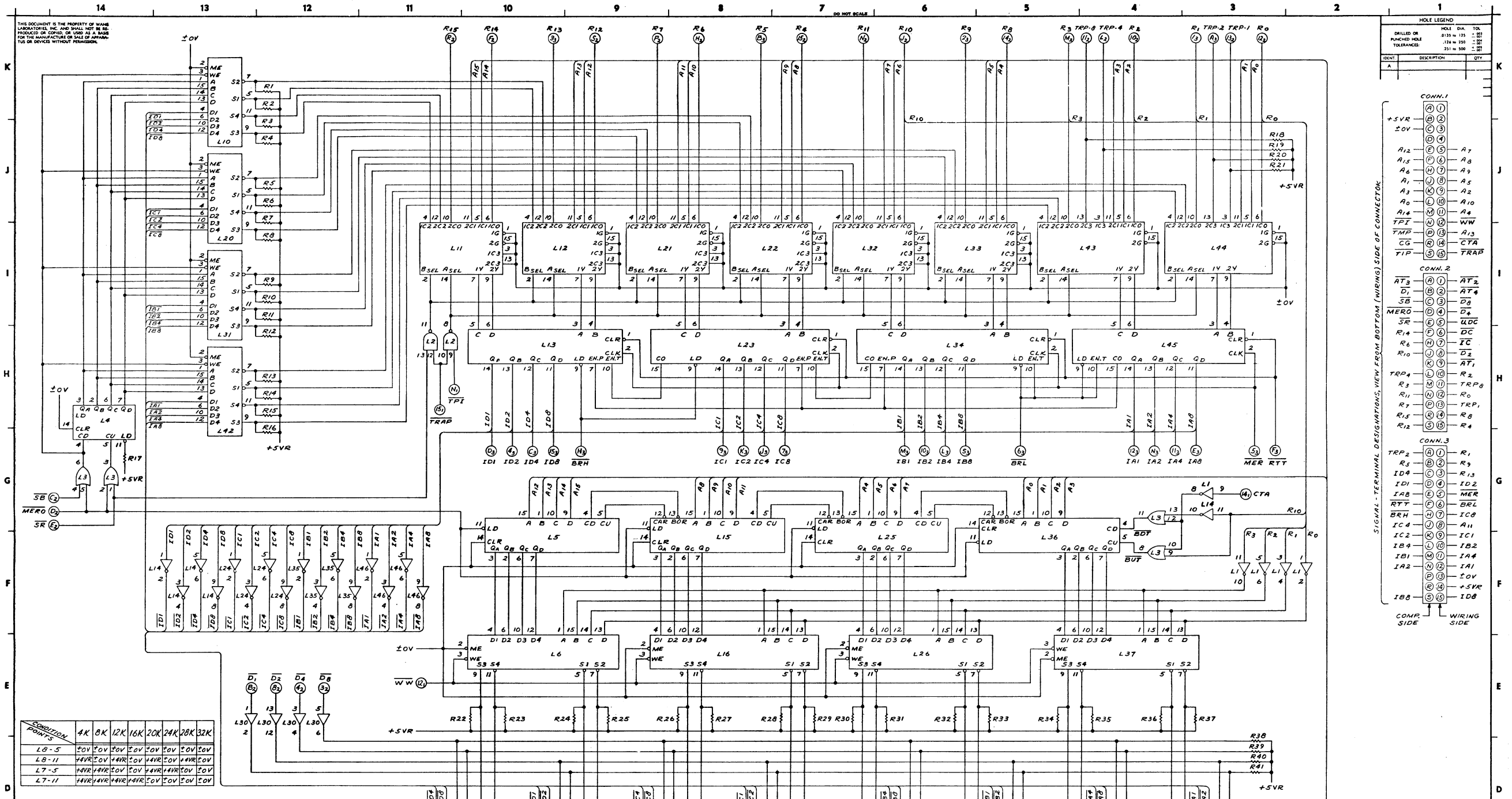
SIGNAL-TERMINAL DESIGNATIONS, VIEW FROM BOTTOM (WIRING SIDE OF CONNECTOR)

CONN.1	CONN.2	CONN.3
R19 (A1)	DO14 (A1)	Q1 (A1)
+5V (B2)	A0 (B2)	Q2 (B2)
TOV (C3)	DO13 (C3)	RESET (C3)
A12 (D4)	DO12 (D4)	MOT (D4)
A15 (E5)	WTEN3 (E5)	A11 (E5)
A4 (F6)	WTEN4 (F6)	A (F6)
A7 (G7)	CL2 (G7)	REF (G7)
A9 (H8)	CH2 (H8)	ST1-3 (H8)
A5 (I9)	DO9 (I9)	MER (I9)
A3 (J10)	DO8 (J10)	CS (J10)
A10 (K11)	DO7 (K11)	TOV (J11)
A14 (L12)	DO6 (L12)	+5V (J12)
A8 (M13)	DO5 (M13)	DIN (J13)
A11 (N14)	DO4 (N14)	
A13 (O15)	DO3 (O15)	
MS4 (P16)	WTEN1 (P16)	
A16 (Q17)	A6 (Q17)	
A1 (R18)	WTEN2 (R18)	
A6 (S19)	CH4 (S19)	
A11 (T20)	DO2 (T20)	
A16 (U21)	DO1 (U21)	
A1 (V22)	DO0 (V22)	
A6 (W23)	DO0 (W23)	
A11 (X24)	DO0 (X24)	
A16 (Y25)	DO0 (Y25)	
A1 (Z26)	DO0 (Z26)	
A6 (AA27)	DO0 (AA27)	
A11 (AB28)	DO0 (AB28)	
A16 (AC29)	DO0 (AC29)	
A1 (AD30)	DO0 (AD30)	
A6 (AE31)	DO0 (AE31)	
A11 (AF32)	DO0 (AF32)	
A16 (AG33)	DO0 (AG33)	
A1 (AH34)	DO0 (AH34)	
A6 (AI35)	DO0 (AI35)	
A11 (AJ36)	DO0 (AJ36)	
A16 (AK37)	DO0 (AK37)	
A1 (AL38)	DO0 (AL38)	
A6 (AM39)	DO0 (AM39)	
A11 (AN40)	DO0 (AN40)	
A16 (AO41)	DO0 (AO41)	
A1 (AP42)	DO0 (AP42)	
A6 (AQ43)	DO0 (AQ43)	
A11 (AR44)	DO0 (AR44)	
A16 (AS45)	DO0 (AS45)	
A1 (AT46)	DO0 (AT46)	
A6 (AU47)	DO0 (AU47)	
A11 (AV48)	DO0 (AV48)	
A16 (AW49)	DO0 (AW49)	
A1 (AX50)	DO0 (AX50)	
A6 (AY51)	DO0 (AY51)	
A11 (AZ52)	DO0 (AZ52)	
A16 (BA53)	DO0 (BA53)	
A1 (BB54)	DO0 (BB54)	
A6 (BC55)	DO0 (BC55)	
A11 (BD56)	DO0 (BD56)	
A16 (BE57)	DO0 (BE57)	
A1 (BF58)	DO0 (BF58)	
A6 (BG59)	DO0 (BG59)	
A11 (BH60)	DO0 (BH60)	
A16 (BI61)	DO0 (BI61)	
A1 (BJ62)	DO0 (BJ62)	
A6 (BK63)	DO0 (BK63)	
A11 (BL64)	DO0 (BL64)	
A16 (BM65)	DO0 (BM65)	
A1 (BN66)	DO0 (BN66)	
A6 (BO67)	DO0 (BO67)	
A11 (BP68)	DO0 (BP68)	
A16 (BQ69)	DO0 (BQ69)	
A1 (BR70)	DO0 (BR70)	
A6 (BS71)	DO0 (BS71)	
A11 (BT72)	DO0 (BT72)	
A16 (BU73)	DO0 (BU73)	
A1 (BV74)	DO0 (BV74)	
A6 (BW75)	DO0 (BW75)	
A11 (BX76)	DO0 (BX76)	
A16 (BY77)	DO0 (BY77)	
A1 (BZ78)	DO0 (BZ78)	
A6 (CA79)	DO0 (CA79)	
A11 (CB80)	DO0 (CB80)	
A16 (CC81)	DO0 (CC81)	
A1 (CD82)	DO0 (CD82)	
A6 (CE83)	DO0 (CE83)	
A11 (CF84)	DO0 (CF84)	
A16 (CG85)	DO0 (CG85)	
A1 (CH86)	DO0 (CH86)	
A6 (CI87)	DO0 (CI87)	
A11 (CJ88)	DO0 (CJ88)	
A16 (CK89)	DO0 (CK89)	
A1 (CL90)	DO0 (CL90)	
A6 (CM91)	DO0 (CM91)	
A11 (CN92)	DO0 (CN92)	
A16 (CO93)	DO0 (CO93)	
A1 (CP94)	DO0 (CP94)	
A6 (CQ95)	DO0 (CQ95)	
A11 (CR96)	DO0 (CR96)	
A16 (CS97)	DO0 (CS97)	
A1 (CT98)	DO0 (CT98)	
A6 (CU99)	DO0 (CU99)	
A11 (CV100)	DO0 (CV100)	
A16 (CW101)	DO0 (CW101)	
A1 (CX102)	DO0 (CX102)	
A6 (CY103)	DO0 (CY103)	
A11 (CZ104)	DO0 (CZ104)	
A16 (CA105)	DO0 (CA105)	
A1 (CB106)	DO0 (CB106)	
A6 (CC107)	DO0 (CC107)	
A11 (CD108)	DO0 (CD108)	
A16 (CE109)	DO0 (CE109)	
A1 (CF110)	DO0 (CF110)	
A6 (CG111)	DO0 (CG111)	
A11 (CH112)	DO0 (CH112)	
A16 (CI113)	DO0 (CI113)	
A1 (CJ114)	DO0 (CJ114)	
A6 (CK115)	DO0 (CK115)	
A11 (CL116)	DO0 (CL116)	
A16 (CM117)	DO0 (CM117)	
A1 (CN118)	DO0 (CN118)	
A6 (CO119)	DO0 (CO119)	
A11 (CP120)	DO0 (CP120)	
A16 (CQ121)	DO0 (CQ121)	
A1 (CR122)	DO0 (CR122)	
A6 (CS123)	DO0 (CS123)	
A11 (CT124)	DO0 (CT124)	
A16 (CU125)	DO0 (CU125)	
A1 (CV126)	DO0 (CV126)	
A6 (CW127)	DO0 (CW127)	
A11 (CX128)	DO0 (CX128)	
A16 (CY129)	DO0 (CY129)	
A1 (CZ130)	DO0 (CZ130)	
A6 (CA131)	DO0 (CA131)	
A11 (CB132)	DO0 (CB132)	
A16 (CC133)	DO0 (CC133)	
A1 (CD134)	DO0 (CD134)	
A6 (CE135)	DO0 (CE135)	
A11 (CF136)	DO0 (CF136)	
A16 (CG137)	DO0 (CG137)	
A1 (CH138)	DO0 (CH138)	
A6 (CI139)	DO0 (CI139)	
A11 (CJ140)	DO0 (CJ140)	
A16 (CK141)	DO0 (CK141)	
A1 (CL142)	DO0 (CL142)	
A6 (CM143)	DO0 (CM143)	
A11 (CN144)	DO0 (CN144)	
A16 (CO145)	DO0 (CO145)	
A1 (CP146)	DO0 (CP146)	
A6 (CQ147)	DO0 (CQ147)	
A11 (CR148)	DO0 (CR148)	
A16 (CS149)	DO0 (CS149)	
A1 (CT150)	DO0 (CT150)	
A6 (CU151)	DO0 (CU151)	
A11 (CV152)	DO0 (CV152)	
A16 (CW153)	DO0 (CW153)	
A1 (CX154)	DO0 (CX154)	
A6 (CY155)	DO0 (CY155)	
A11 (CZ156)	DO0 (CZ156)	
A16 (CA157)	DO0 (CA157)	
A1 (CB158)	DO0 (CB158)	
A6 (CC159)	DO0 (CC159)	
A11 (CD160)	DO0 (CD160)	
A16 (CE161)	DO0 (CE161)	
A1 (CF162)	DO0 (CF162)	
A6 (CG163)	DO0 (CG163)	
A11 (CH164)	DO0 (CH164)	
A16 (CI165)	DO0 (CI165)	
A1 (CJ166)	DO0 (CJ166)	
A6 (CK167)	DO0 (CK167)	
A11 (CL168)	DO0 (CL168)	
A16 (CM169)	DO0 (CM169)	
A1 (CN170)	DO0 (CN170)	
A6 (CO171)	DO0 (CO171)	
A11 (CP172)	DO0 (CP172)	
A16 (CQ173)	DO0 (CQ173)	
A1 (CR174)	DO0 (CR174)	
A6 (CS175)	DO0 (CS175)	
A11 (CT176)	DO0 (CT176)	
A16 (CU177)	DO0 (CU177)	
A1 (CV178)	DO0 (CV178)	
A6 (CW179)	DO0 (CW179)	
A11 (CX180)	DO0 (CX180)	
A16 (CY181)	DO0 (CY181)	
A1 (CZ182)	DO0 (CZ182)	
A6 (CA183)	DO0 (CA183)	
A11 (CB184)	DO0 (CB184)	
A16 (CC185)	DO0 (CC185)	
A1 (CD186)	DO0 (CD186)	
A6 (CE187)	DO0 (CE187)	
A11 (CF188)	DO0 (CF188)	
A16 (CG189)	DO0 (CG189)	
A1 (CH190)	DO0 (CH190)	
A6 (CI191)	DO0 (CI191)	
A11 (CJ192)	DO0 (CJ192)	
A16 (CK193)	DO0 (CK193)	
A1 (CL194)	DO0 (CL194)	
A6 (CM195)	DO0 (CM195)	
A11 (CN196)	DO0 (CN196)	
A16 (CO197)	DO0 (CO197)	
A1 (CP198)	DO0 (CP198)	
A6 (CQ199)	DO0 (CQ199)	
A11 (CR200)	DO0 (CR200)	
A16 (CS201)	DO0 (CS201)	
A1 (CT202)	DO0 (CT202)	
A6 (CU203)	DO0 (CU203)	
A11 (CV204)	DO0 (CV204)	
A16 (CW205)	DO0 (CW205)	
A1 (CX206)	DO0 (CX206)	
A6 (CY207)	DO0 (CY207)	
A11 (CZ208)	DO0 (CZ208)	
A16 (CA209)	DO0 (CA209)	
A1 (CB210)	DO0 (CB210)	
A6 (CC211)	DO0 (CC211)	
A11 (CD212)	DO0 (CD212)	
A16 (CE213)	DO0 (CE213)	
A1 (CF214)	DO0 (CF214)	
A6 (CG215)	DO0 (CG215)	
A11 (CH216)	DO0 (CH216)	
A16 (CI217)	DO0 (CI217)	
A1 (CJ218)	DO0 (CJ218)	
A6 (CK219)	DO0 (CK219)	
A11 (CL220)	DO0 (CL220)	
A16 (CM221)	DO0 (CM221)	
A1 (CN222)	DO0 (CN222)	
A6 (CO223)	DO0 (CO223)	
A11 (CP224)	DO0 (CP224)	
A16 (CQ225)	DO0 (CQ225)	
A1 (CR226)	DO0 (CR226)	
A6 (CS227)	DO0 (CS227)	
A11 (CT228)	DO0 (CT228)	
A16 (CU229)	DO0 (CU229)	
A1 (CV230)	DO0 (CV230)	
A6 (CW231)	DO0 (CW231)	
A11 (CX232)	DO0 (CX232)	
A16 (CY233)	DO0 (CY233)	
A1 (CZ234)	DO0 (CZ234)	
A6 (CA235)	DO0 (CA235)	
A11 (CB236)	DO0 (CB236)	
A16 (CC237)	DO0 (CC237)	
A1 (CD238)	DO0 (CD238)	
A6 (CE239)	DO0 (CE239)	
A11 (CF240)	DO0 (CF240)	
A16 (CG241)	DO0 (CG241)	
A1 (CH242)	DO0 (CH242)	
A6 (CI243)	DO0 (CI243)	
A11 (CJ244)	DO0 (CJ244)	
A16 (CK245)	DO0 (CK245)	
A1 (CL246)	DO0 (CL246)	
A6 (CM247)	DO0 (CM247)	
A11 (CN248)	DO0 (CN248)	
A16 (CO249)	DO0 (CO249)	
A1 (CP250)	DO0 (CP250)	
A6 (CQ251)	DO0 (CQ251)	
A11 (CR252)	DO0 (CR252)	
A16 (CS253)	DO0 (CS253)	
A1 (CT254)	DO0 (CT254)	
A6 (CU255)	DO0 (CU255)	
A11 (CV256)	DO0 (CV256)	
A16 (CW257)	DO0 (CW257)	
A1 (CX258)	DO0 (CX258)	
A6 (CY259)	DO0 (CY259)	
A11 (CZ260)	DO0 (CZ260)	
A16 (CA261)	DO0 (CA261)	
A1 (CB262)	DO0 (CB262)	
A6 (CC263)	DO0 (CC263)	
A11 (CD264)	DO0 (CD264)	
A16 (CE265)	DO0 (CE265)	
A1 (CF266)	DO0 (CF266)	
A6 (CG267)	DO0 (CG267)	
A11 (CH268)	DO0 (CH268)	
A16 (CI269)	DO0 (CI269)	
A1 (CJ270)	DO0 (CJ270)	
A6 (CK271)	DO0 (CK271)	
A11 (CL272)	DO0 (CL272)	
A16 (CM273)	DO0 (CM273)	
A1 (CN274)	DO0 (CN274)	
A6 (CO275)	DO0 (CO275)	
A11 (CP276)	DO0 (CP276)	
A16 (CQ277)	DO0 (CQ277)	
A1 (CR278)	DO0 (CR278)	
A6 (CS279)	DO0 (CS279)	
A11 (CT280)	DO0 (CT280)	
A16 (CU281)	DO0 (CU281)	
A1 (CV282)	DO0 (CV282)	
A6 (CW283)	DO0 (CW283)	
A11 (CX284)	DO0 (CX284)	
A16 (CY285)	DO0 (CY285)	
A1 (CZ286)	DO0 (CZ286)	
A6 (CA287)	DO0 (CA287)	
A11 (CB288)	DO0 (CB288)	
A16 (CC289)	DO0 (CC289)	
A1 (CD290)	DO0 (CD290)	
A6 (CE291)	DO0 (CE291)	
A11 (CF292)	DO0 (CF292)	
A16 (CG293)	DO0 (CG293)	
A1 (CH294)	DO0 (CH294)	
A6 (CI295)	DO0 (CI295)	
A11 (CJ296)	DO0 (CJ296)	
A16 (CK297)	DO0 (CK297)	
A1 (CL298)	DO0 (CL298)	
A6 (CM299)	DO0 (CM299)	
A11 (CN300)	DO0 (CN300)	

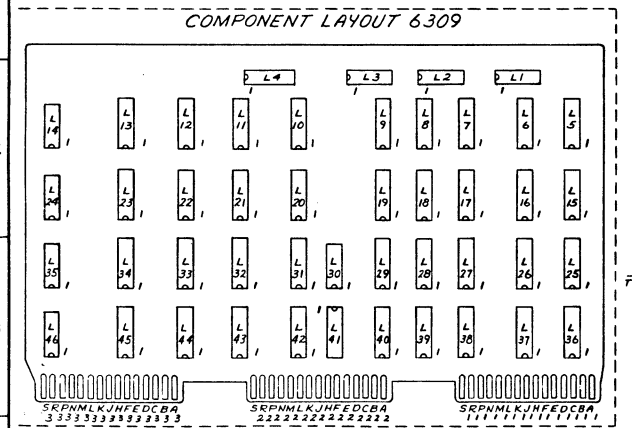
TERMINAL NO.	TERMINAL NO.	LOCATION	TYPE	W.L. PART NO.	QTY.
14	7	L1	SN7430N	376-0031	1
13	5	L2,3,4,24	SN7476N	376-0007	4
14	7	L5,42,43,44	SN7432N	376-0093	4
10	5	L6,17	SN7493N	376-0011	2
14	7	L7,9,11,18,21	SN7404N	376-0010	5
14	7	L8	SN7410N	376-0003	1
14	7	L10,34	SN7408N	376-0081	2
16	8	L12,13,30,39	SN74175N	376-0119	4
16	8	L14,23	9321	376-0096	2
16	8	L15,16,20,22,32	SN74195N	376-0097	6
16	8	L25,36,37,40	SN74157N	376-0082	4
16	8	L26,27	SN74161N	376-0124	2
16	8	L28,29,30,31	SN74153N	376-0048	4
14	7	L33,35,41	SN7400N	376-0002	3

COMPONENT	SIZE/TYP	W.L. PART NO.	QTY.
R1	2.7K 1/4W	330-3027	1
R3,33	1K 1/4W	330-3010	2
R28	4.7K 1/4W	330-3047	1
R29	180Ω 1/4W	330-2018	1
R30	1.8K 1/4W	330-3018	1
R31,32	220Ω 1/4W	330-2022	2
C19-20	154pF 20V	300-4022	2
C23	47pF CER	300-1047	1
C3-18	.05μF CER	300-1900	15
XTAL 1	10MC OSC.	321-0008	1
J1	16 PIN CONN.	376-9002	1





CONDITION POINTS	4K	8K	12K	16K	20K	24K	28K	32K
L6-5	±0V	±0V	±0V	±0V	±0V	±0V	±0V	±0V
L6-11	+5VR	±0V	+5VR	±0V	+5VR	±0V	+5VR	±0V
L7-5	+5VR	+5VR	±0V	+5VR	+5VR	±0V	±0V	±0V
L7-11	+5VR	+5VR	+5VR	+5VR	±0V	±0V	±0V	±0V



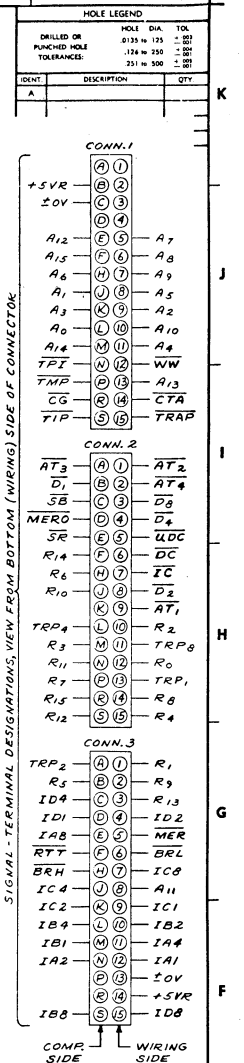
REV	DATE	BY	DESCRIPTION
1	11/11/61	W.F.S.	INITIAL DESIGN
2	11/11/61	W.F.S.	REVISED FOR MANUFACTURE
3	11/11/61	W.F.S.	REVISED FOR MANUFACTURE
4	11/11/61	W.F.S.	REVISED FOR MANUFACTURE
5	11/11/61	W.F.S.	REVISED FOR MANUFACTURE

SEE CONDITION & POINTS CHART FOR WIRING

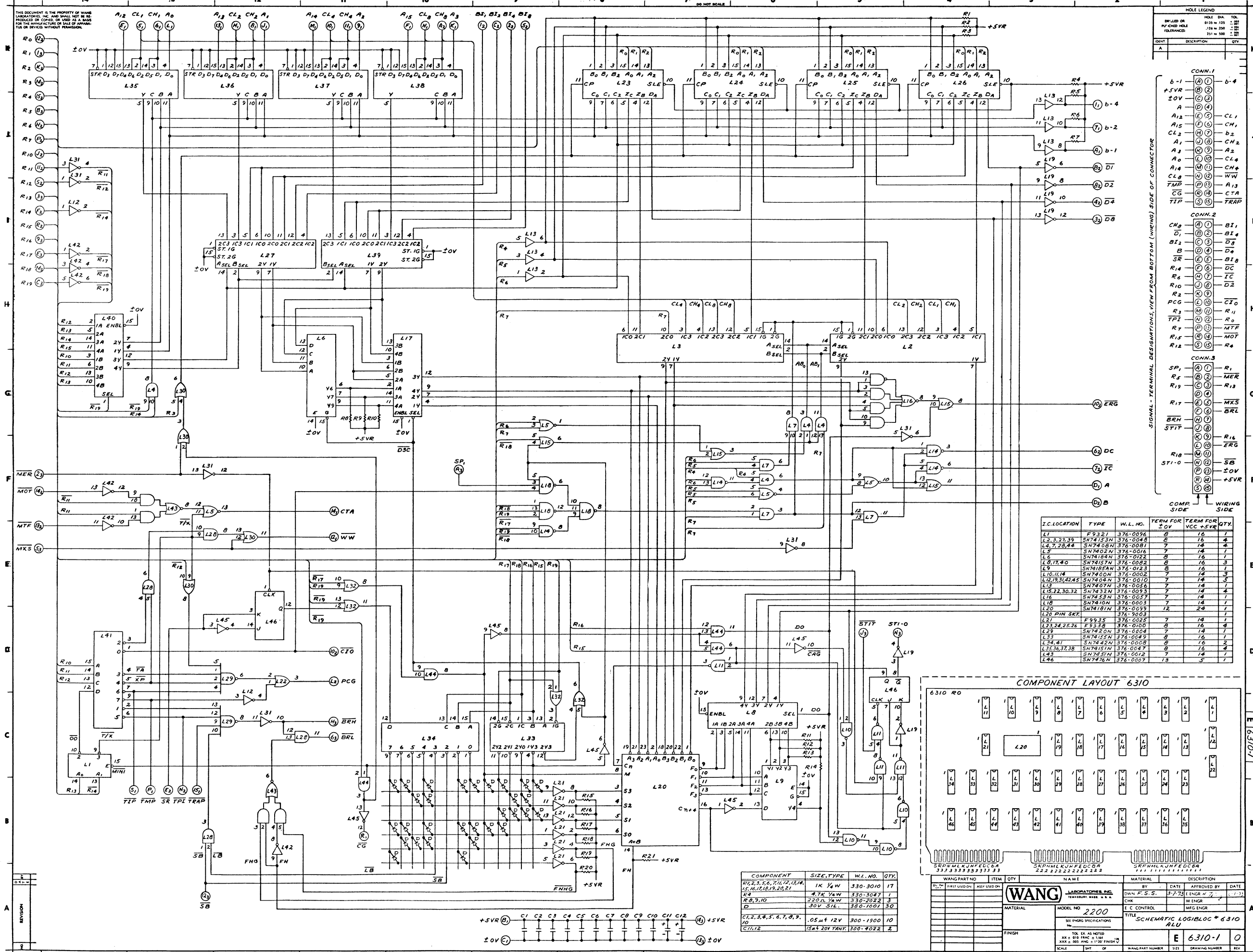
I.C. LOCATION	TYPE	W.L. NO.	TERM FOR ±0V	TERM FOR +5VR	QTY.
L1,14,24,35,46	SN7404N	376-0010	7	14	5
L2	SN7400N	376-0002	7	14	1
L3	SN7432N	376-0093	7	14	1
L4,5,15,25,36,41	SN74193N	376-0053	8	16	6
L6,10,16,20,26,31,37,42	SN7489N	376-0113	8	16	8
L7,8,11,12,17,18,21,22,27,28,32,33,38,43,44	SN74153N	376-0048	8	16	16
L3,19,29,40	SN74161N	376-0124	8	16	4
L13,23,34,45	SN7407N	376-0056	7	14	4
L30					1

COMPONENT	SIZE, TYPE	W.L. NO.	QTY.
R1,2,3,4,5,6,7,8,9,10,11,12,13,14,15,16,22,23,24,25,26,27,28,30,31,32,33,34,35,36,37	470 Ω 1/4 W	330-2047	32
R17,18,19,20,21,43	4.7K 1/4 W	330-3047	6
R38,39,40,41,42	1K 1/4 W	330-3010	5
C1,2,3,4,5,6,7	.01 μF 25V	300-1503	7
C8,9	15 μF 20V TANT	300-4022	2

WANG PART NO.	ITEM	QTY.	NAME	MATERIAL	DESCRIPTION
2200			WANG		BLOCK CIRCUIT DIAGRAM #6309
WANG LABORATORIES, INC. 225 WEST 42ND STREET NEW YORK 36, N.Y.			DATE: 11/11/61 APPROVED BY: W.F.S. ENGINEER: W.F.S.	MODEL NO: 2200 TITLE: BLOCK CIRCUIT DIAGRAM #6309 REGISTERS	DRAWING NUMBER: E 6309-1 REV: 1



THIS DOCUMENT IS THE PROPERTY OF WANG LABORATORIES, INC. AND SHALL NOT BE REPRODUCED OR COPIED OR USED AS A BASIS FOR THE MANUFACTURE OR SALE OF ANY PARTS OR DEVICES WITHOUT PERMISSION.



HOLE LEGEND

DRILLED OR PUNCH HOLE	HOLE DIA.	TOL.
DRILLED	.0130 - .0135	±.001
PUNCH HOLE	.124 - .130	±.005
VOLFRAMEN	.231 - .260	±.005

CONN.1

b-1	(1)	b-4
+5VR	(2)	
±0V	(3)	
A	(4)	
A12	(5)	CL1
A15	(6)	CH1
CL2	(7)	b2
A1	(8)	CH2
A3	(9)	A2
A0	(10)	CL4
A14	(11)	CH4
CL3	(12)	WW
TMB	(13)	A13
CG	(14)	CTA
TTP	(15)	TRAP

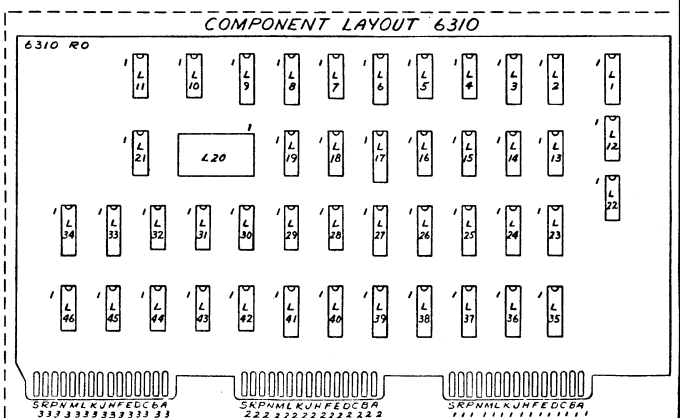
CONN.2

CH2	(1)	BI1
D1	(2)	BI4
BI2	(3)	D8
B	(4)	D4
SR	(5)	BI8
R14	(6)	DC
R6	(7)	IC
R10	(8)	D2
R2	(9)	CG2
PCG	(10)	R11
R3	(11)	R0
TPI	(12)	MTF
R15	(13)	MOT
R12	(14)	R4

CONN.3

SP1	(1)	R1
R5	(2)	MER
R19	(3)	R13
(4)	(4)	
R17	(5)	MXS
(6)	(6)	
BRH	(7)	BRL
STIT	(8)	
(9)	(9)	
(10)	(10)	
R18	(11)	R16
(12)	(12)	
ERG	(13)	ERG
(14)	(14)	
(15)	(15)	
DC	(16)	DC
(17)	(17)	
IC	(18)	IC
(19)	(19)	
A	(20)	A
(21)	(21)	
B	(22)	B

I.C. LOCATION	TYPE	W.L. NO.	TERM FOR ±0V	TERM FOR +5VR	QTY.
L1	F9321	376-0096	0	16	1
L2,3,27,39	SN74153N	376-0048	0	16	4
L4,7,28,44	SN7408N	376-0081	7	14	4
L5	SN7402N	376-0016	7	14	1
L6	SN74154N	376-0122	0	16	1
L8,17,40	SN74157N	376-0082	0	16	3
L9	SN74155N	376-0123	0	16	1
L10,11,18	SN7400N	376-0002	7	14	3
L12,19,31,42,45	SN7408N	376-0010	7	14	5
L13	SN7407N	376-0056	7	14	1
L15,22,30,32	SN7432N	376-0095	7	14	4
L16	SN74153N	376-0057	7	14	1
L18	SN7410N	376-0003	7	14	1
L20	SN74181N	376-0099	12	24	1
L20 PIN SKT.		376-0003			1
L21	F9335	376-0005	7	14	1
L23,24,25,26	F9338	376-0100	0	16	4
L29	SN7420N	376-0004	7	14	1
L33	SN74155N	376-0049	0	16	1
L34,41	SN7442N	376-0008	0	16	2
L35,36,37,38	SN74151N	376-0047	0	16	4
L43	SN7437N	376-0012	7	14	1
L46	SN7458N	376-0007	13	5	1

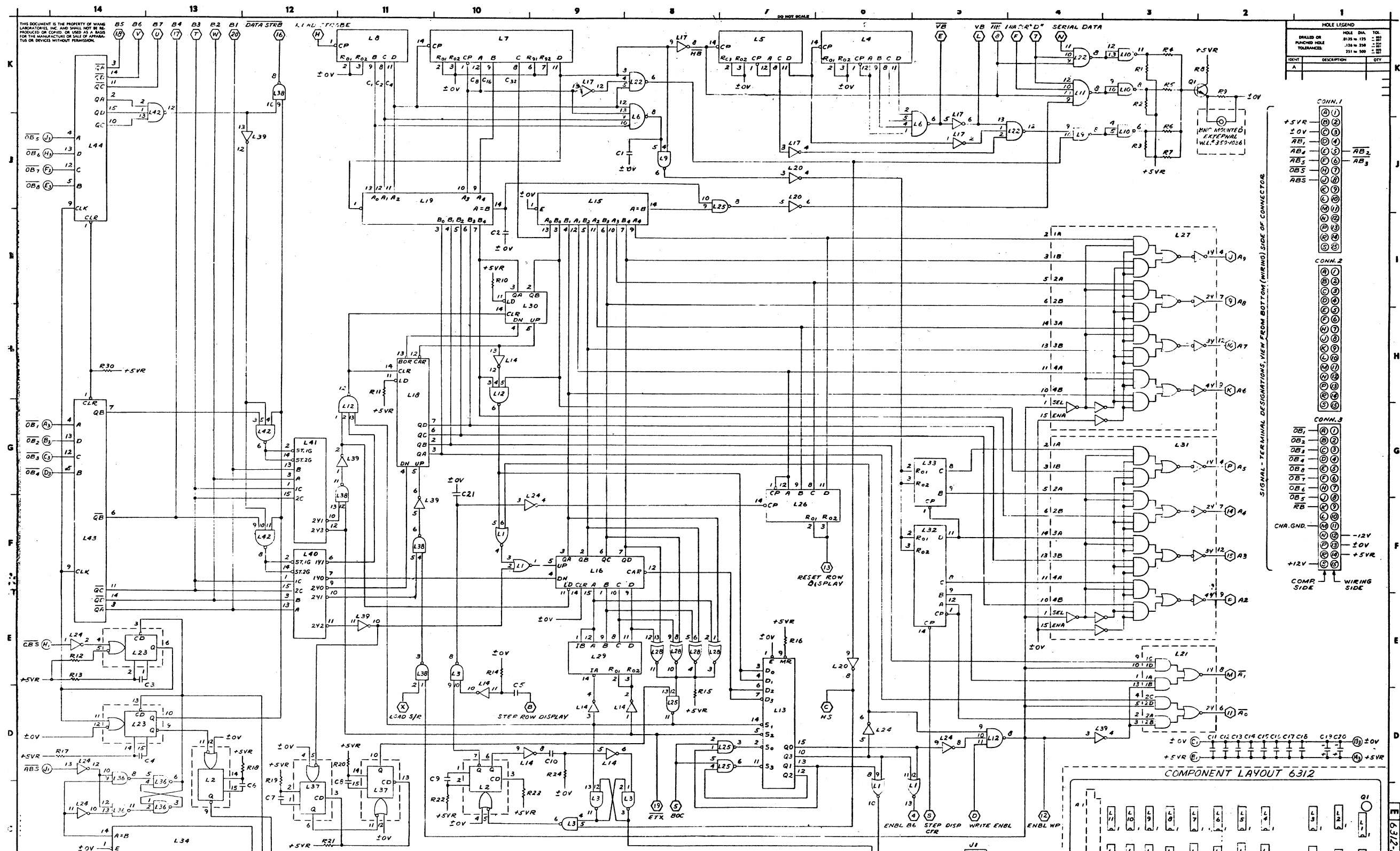


COMPONENT	SIZE, TYPE	W.L. NO.	QTY.
R2,23,56,74,77,131,15,16,17,18,20,21	1K 1/4W	330-3010	17
R8	4.7K 1/4W	330-3047	1
R9,9,10	220Ω 1/4W	330-2022	3
R1	30V, 51K	380-1001	30
C1,2,3,4,5,6,7,8,9,10	.05μF 12V	300-1500	10
C11,12	15KΩ 20V TANT.	300-4022	2

WANG PART NO.	ITEM	QTY.	NAME	MATERIAL	DESCRIPTION
6310-1	SCHEMATIC LOGIBLOC # 6310	1	ALU		

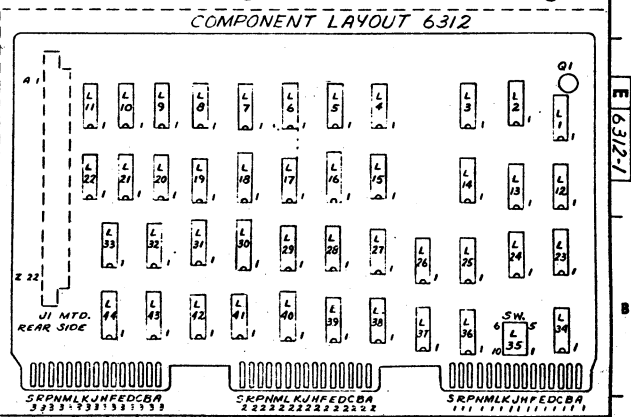
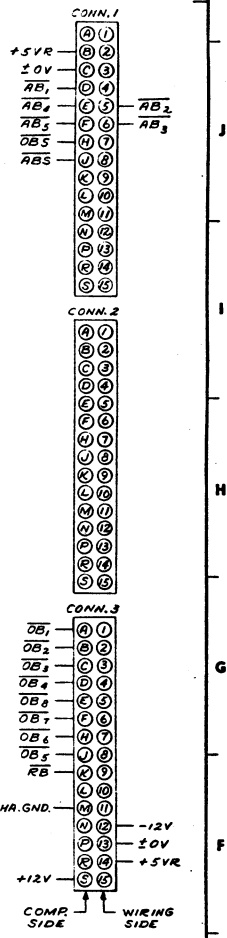
DATE	BY	DATE	APPROVED BY	DATE
3-7-73	F. S. S.	3-7-73	ENGR	7-1-73
			M ENGR	
			I C CONTROL	
			MIG ENGR	

MODEL NO. 2200
TITLE: SCHEMATIC LOGIBLOC # 6310
ALU
E 6310-1 0



HOLE LEGEND

DRILLED OR PUNCHED HOLE	HOLE DIA.	TOL.
Ø	.125	±.005
Ø	.1875	±.005
Ø	.250	±.005
Ø	.3125	±.005



COMPONENT

COMPONENT	SIZE, TYPE	W.L. NO.	QTY.
C11, 12, 13, 14, 15, 16, 17, 18	.01µF 25V	300-1903	8
C19, 20	15µF 20V TA.	300-4022	2
Q1	2N5189 SIL	375-1021	1
J1	AMP. CONN.	350-0022	1
J2	225-2221-05	375-2001	1
C21	470µF 50V 5%	300-5005	1

COMPONENT

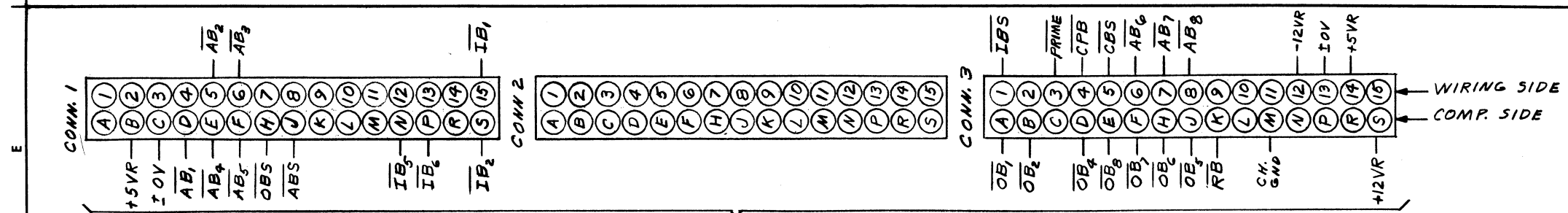
COMPONENT	SIZE, TYPE	W.L. NO.	QTY.
R1, 2, 3	150Ω ¼W	330-2015	3
R4, 6, 7	470Ω ¼W	330-2047	3
R5	270Ω ¼W	330-2027	1
R8	47Ω ¼W	331-1047	1
R9	56Ω ¼W	331-1056	1
R10, 11, 12, 15, 16, 23	4.7K ¼W	330-3047	6
R13, 18, 19, 20, 22	10K ¼W	330-4010	5
R14, 24	390Ω ¼W	330-2039	2
R17	6.8K ¼W	330-3068	1
R21, 30	2.2K ¼W	330-3022	2
R25, 26, 27, 28, 29	15K ¼W	330-4015	5
C1	.001µF 500V	300-1910	1
C2	680µF CER	300-1680	1
C3, 4, 10	100µF CER	300-1100	3
C5	220µF CER	300-1220	1
C6	.001µF 200V	300-1906	1
C7, 8	47µF CER	300-1047	2
C9	470µF CER	300-1470	1

I.C. LOCATION

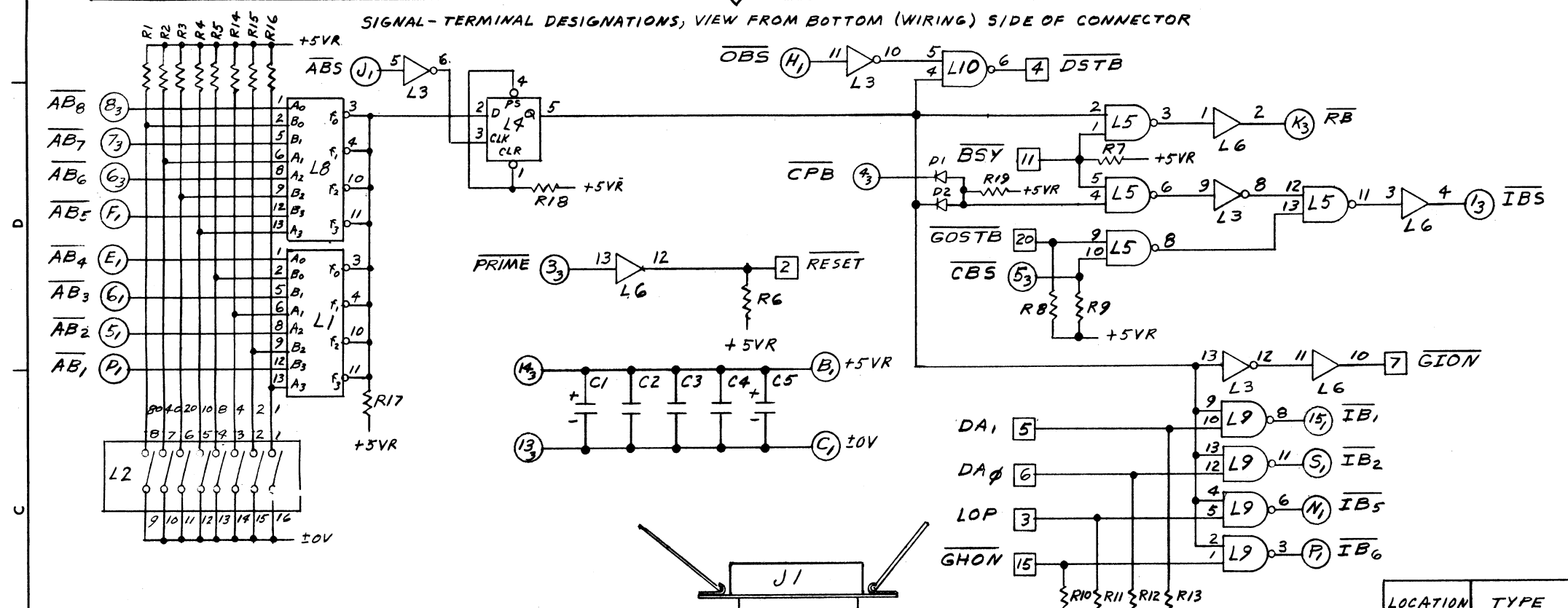
I.C. LOCATION	TYPE	W.L. NO.	TERM FOR 0V	TERM FOR VCC +5VR	QTY.
L1	SN7402N	376-0016	7	14	1
L2, 23, 37	F9602	376-0004	8	16	3
L3, 9, 25, 36, 38	SN7400N	376-0002	7	14	5
L4, 5, 8, 26, 29, 32, 33	SN7493N	376-0011	10	5	7
L6, 8	SN7420N	376-0004	7	14	2
L7	SN7490N	376-0073	10	5	1
L10	SN7403N	376-0009	7	14	1
L12, 28, 42	SN7410N	376-0003	7	14	3
L13	F9314	376-0108	8	16	1
L14, 17, 20, 24, 39	SN7404N	376-0010	7	14	5
L15, 18, 34	F9314	376-0120	8	16	3
L16, 18, 30	SN74193N	376-0053	8	16	3
L21	SN7457N	376-0012	7	14	1
L27, 31	SN74157N	376-0082	8	16	2
L28	8242	376-0040	7	14	1
L35	SWITCH	325-1501	4, 7, 8, 9, 10		1
L40, 41	SN74155N	376-0049	8	16	2
L43, 44	SN74157N	376-0119	12	5	2

WANG PART NO.

WANG PART NO.	ITEM	QTY.	NAME	MATERIAL	DESCRIPTION
Ø 1	CHA GND.				
Ø 2	+5VR				
Ø 3	0V				
Ø 4	ENBL B6				
Ø 5	BOC				
Ø 6	W BUSY				
Ø 7	"D"				
Ø 8	HB				
Ø 9	AB				
Ø 10	A7				
Ø 11	A6				
Ø 12	A5				
Ø 13	ENBL WP				
Ø 14	RESET ROW DISPLAY				
Ø 15	A4				
Ø 16	A3				
Ø 17	DATA STRB				
Ø 18	B4				
Ø 19	B5				
Ø 20	B7				
Ø 21	B8				
Ø 22	B1				
Ø 23	ETX				
Ø 24	BI				
Ø 25	+5VR				
Ø 26	0V				

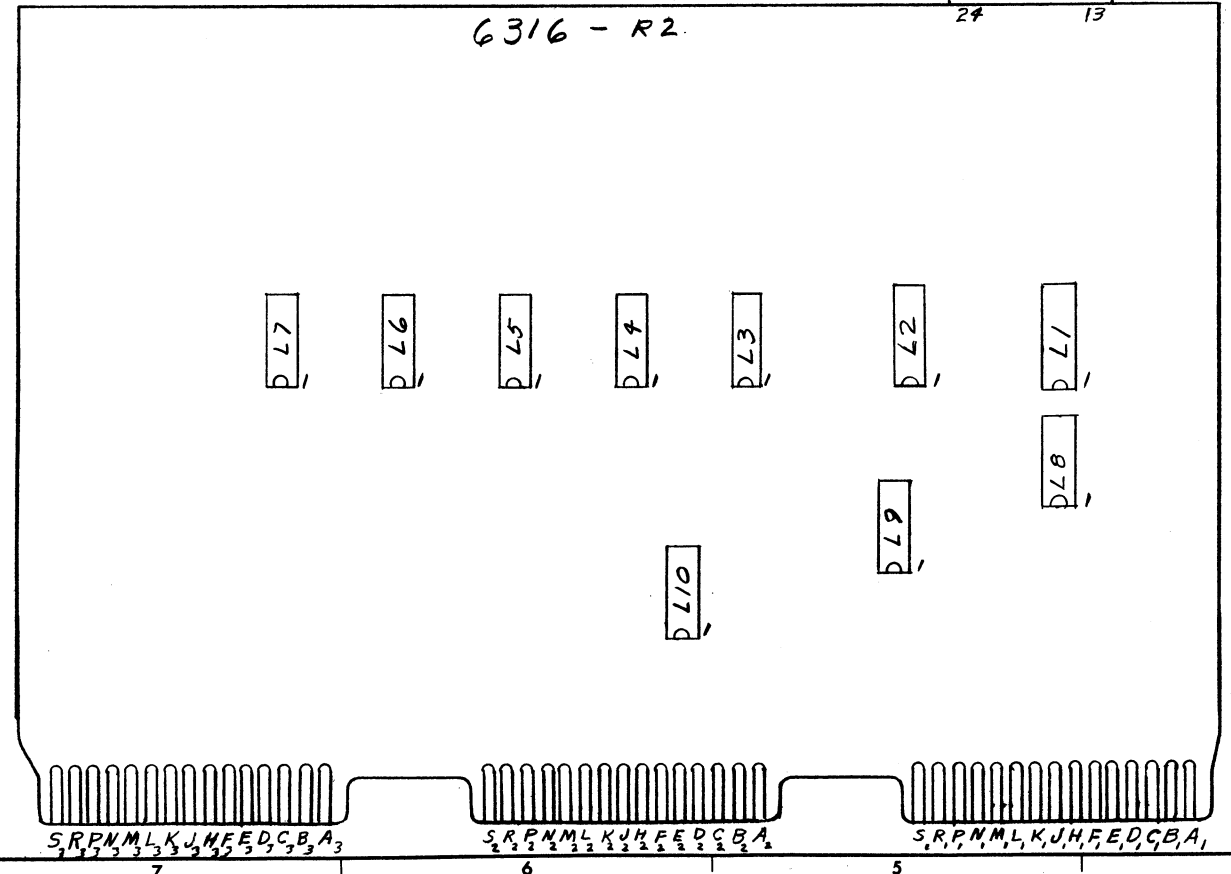


REVISIONS	
R1-	REVISED PER ECN # 3798, 9-14-73
	APP'D J.W.J.
R2-	REVISED PER ECN # 3923, 10-11-73
	APP'D J.W.J.
R3-	REV PER ECN # 3942
	APP'D J.W.J.



J1

±0V	13	1	±0V
RESET	14	2	RESET
LOP	15	3	LOP
DSTB	16	4	DSTB
DA1	17	5	DA1
DAφ	18	6	DAφ
GIION	19	7	GIION
GB7	20	8	GB7
GB2	21	9	GB2
GB5	22	10	GB5
BSY	23	11	BSY
+12VR	24	12	+12VR



LOCATION	TYPE	W.L. NO.	TERM. NO. ±0V	TERM. NO. +5VR Vcc	QTY
L1, 8	SN74LS266	376-0148	7	14	2
L2	ROCKER SWITCH	325-1503	—	—	1
L3	SN7404N	376-0010	7	14	1
L4	SN7474N	376-0006	7	14	1
L5	SN7400N	376-0002	7	14	1
L6, 7	SN7407N	376-0056	7	14	2
L9, 10	SN7403N	376-0028	7	14	2

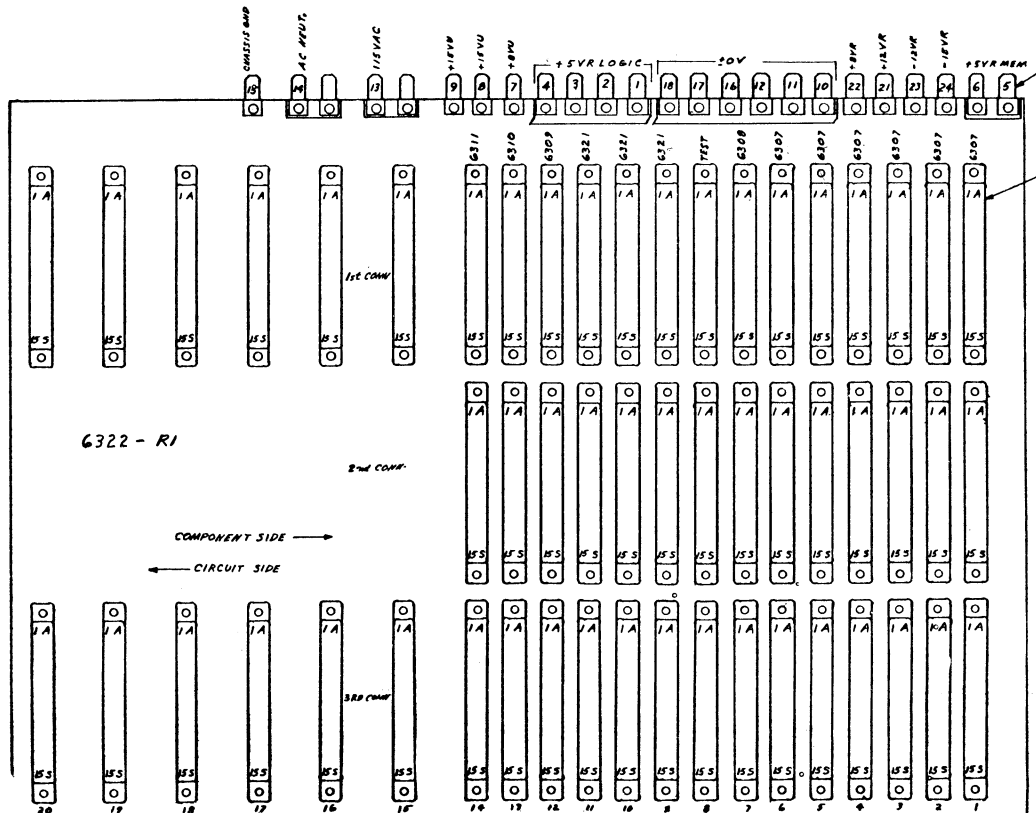
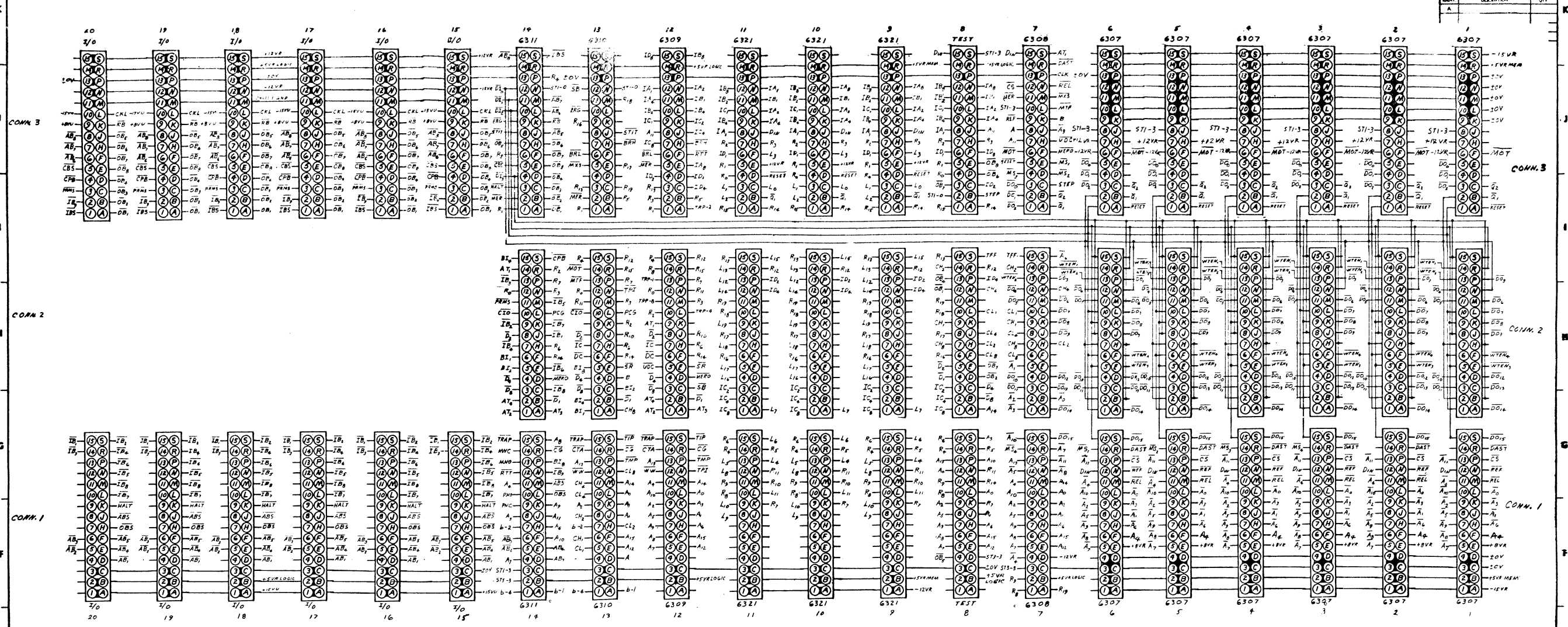
COMPONENT	SIZE/TYPE	W.L. PART NO.	QTY
R19, 1, 2, 3, 4, 5, 14, 15, 16, 17	4.7K 1/4W	330-3047	10
R6, 7, 8, 9, 10, 11, 12, 13	1K 1/4W	330-3010	8
C1, 5	15μF 20V TANT	300-4022	2
C2, 3, 4	.01μF CER	300-1903	3
D1, 2	DIODE GER	380-0000	2
R18	2.2K 1/4W	330-30-2	1
J1	24-PIN CONN.	350-1025	1
COVER	ROCKER SW	325-9047	1

TOL. EX. AS NOTED			
.XX ±.010	FRAC. ±1/		
.XXX ±.008	ANG. ±		
WANG LABORATORIES INC.			
TEWKSBURY, MASS.			
MODEL NO.	DRAWN	DATE	APP'D
2200	J.W.J.	3-22-73	J.W.J.
MATERIAL	CHECKED		APP'D
TITLE			
SCHEMATIC LOGIBLOC 6316			
CASSETTE CONTROL			
FINISH	SCALE	W.O. NO.	DWG. NO.
			6316-1
			REV. 3

THIS DOCUMENT IS THE PROPERTY OF WANG LABORATORIES, INC. AND SHALL NOT BE REPRODUCED OR COPIED IN ANY MANNER FOR THE DISSEMINATION OF INFORMATION OR FOR SERVICE WITHOUT PERMISSION.

REV. 1	DATE	BY
1	10/1/67	WANG

WIRING SIDE



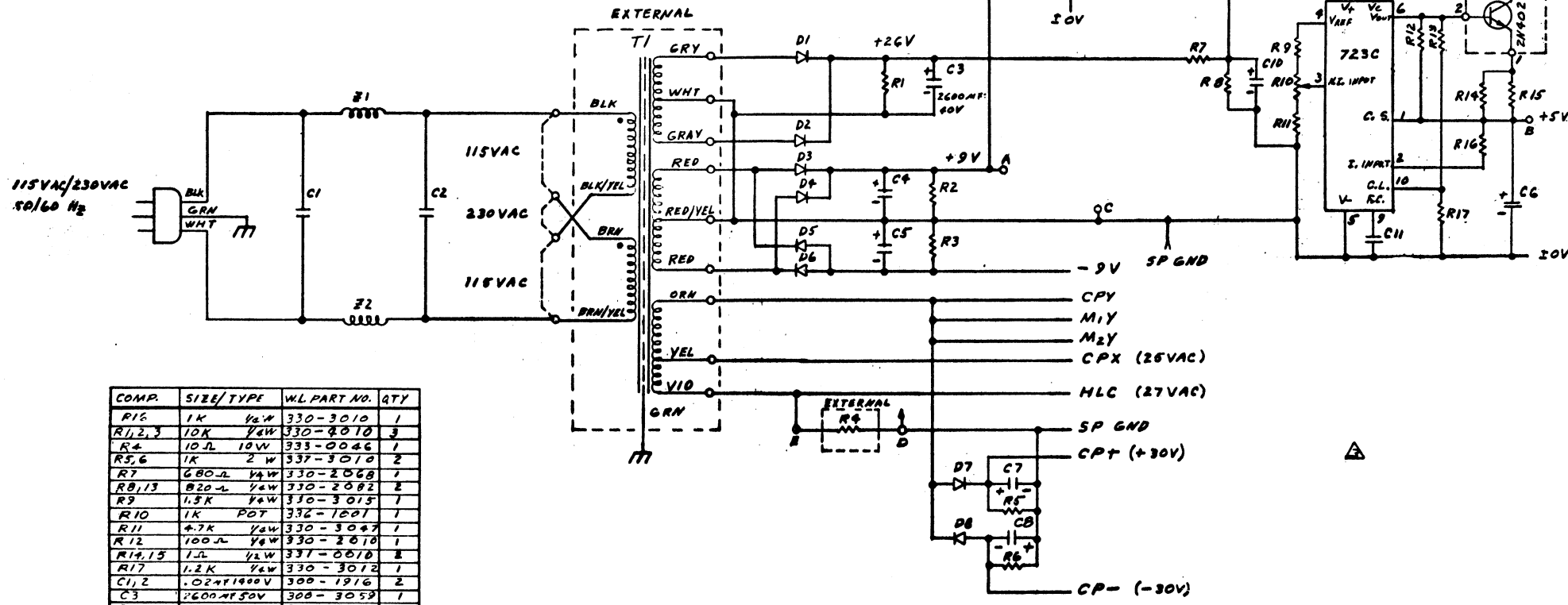
ITEM	QTY	NAME	MATERIAL	DESCRIPTION
660-0201	9	NR SOLDER		63-37 ALLOY
651-0607	3	DISC EYELET SE-96		
650-0049	2	AMP OFF SRT TERMINAL		M+2506-2
350-0011	1	CONNECTOR 125-1521-110		30 PIN CONNECTOR

WANG PART NO.	ITEM	QTY	NAME	MATERIAL	DESCRIPTION
6322-1	1	1	MOTHER BOARD		

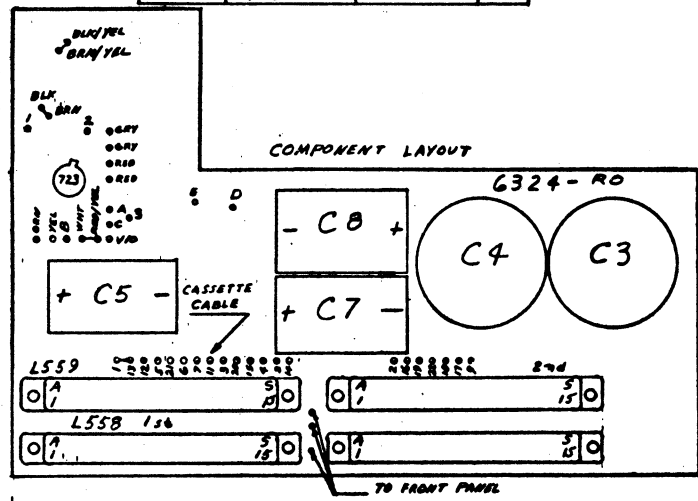
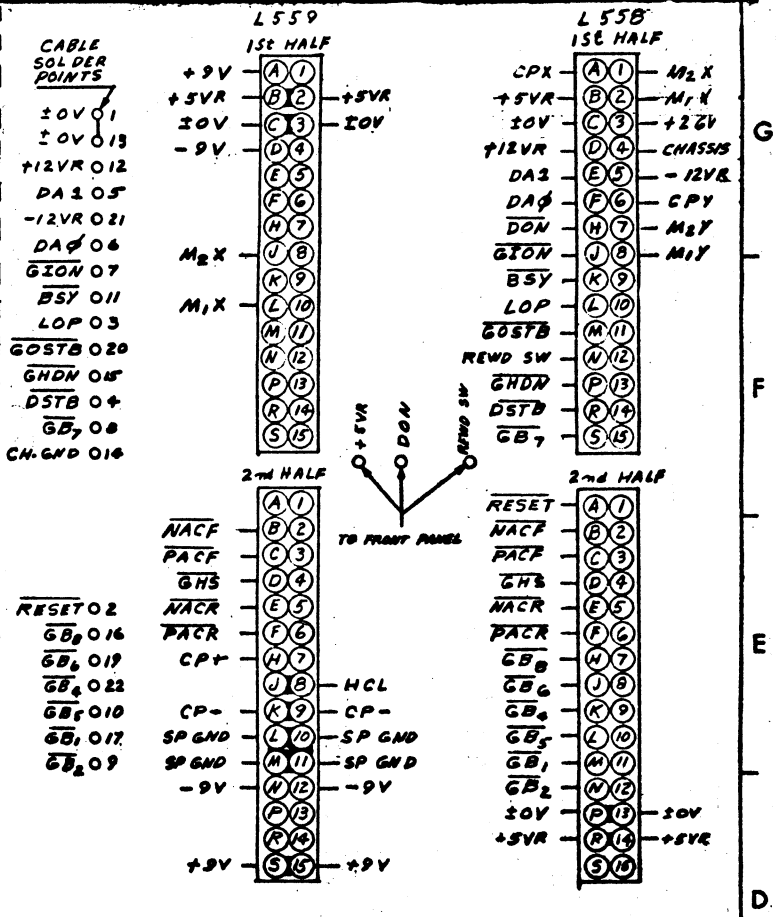
MODEL NO.	2200	TITLE	MOTHER BOARD
REV. 1	DATE	BY	DATE
1	10/1/67	WANG	10/1/67

REVISION
 1
 2
 3
 4
 5
 6
 7
 8
 9
 10
 11
 12
 13
 14

THIS DOCUMENT IS THE PROPERTY OF WANG LABORATORIES, INC. AND SHALL NOT BE REPRODUCED OR COPIED, OR USED AS A BASIS FOR THE MANUFACTURE OR SALE OF APPARATUS OR DEVICES WITHOUT PERMISSION.



COMP.	SIZE/TYPE	WL PART NO.	QTY
R1,5	1K 1/2W	330-3010	1
R1,2,3	10K 1/2W	330-3010	3
R4	10Ω 10W	333-0046	1
R5,6	1K 2W	337-3010	2
R7	680Ω 1/2W	330-2068	1
R8,13	820Ω 1/2W	330-2082	2
R9	1.5K 1/2W	330-3015	1
R10	1K POT	332-1001	1
R11	4.7K 1/2W	330-3047	1
R12	100Ω 1/2W	330-2010	1
R14,15	1Ω 1/2W	337-0010	2
R17	1.2K 1/2W	330-3012	1
C1,2	.02+1900V	300-1916	2
C3	2600MF 50V	300-3059	1
C4	14000MF 10V	300-3045	1
C5	2000MF 20V	300-3058	1
C6	100MF 16V	300-3011	1
C7,8	500MF 50V	300-3053	2
C9,11	.01MF CER	300-1903	2
C10	15MF 20V	300-3007	1
D1,2,5,6,7,8	EM403	300-4000	6
D3,4	GFA15-F	380-3004	4
Z1,2	22-MA	380-0080	2
T1	1-WK CORD	430-1000	1
T2	MMC 4831	410-0087	1
CDN#	22-21521-119	376-0071	4
	723C	376-0066	1



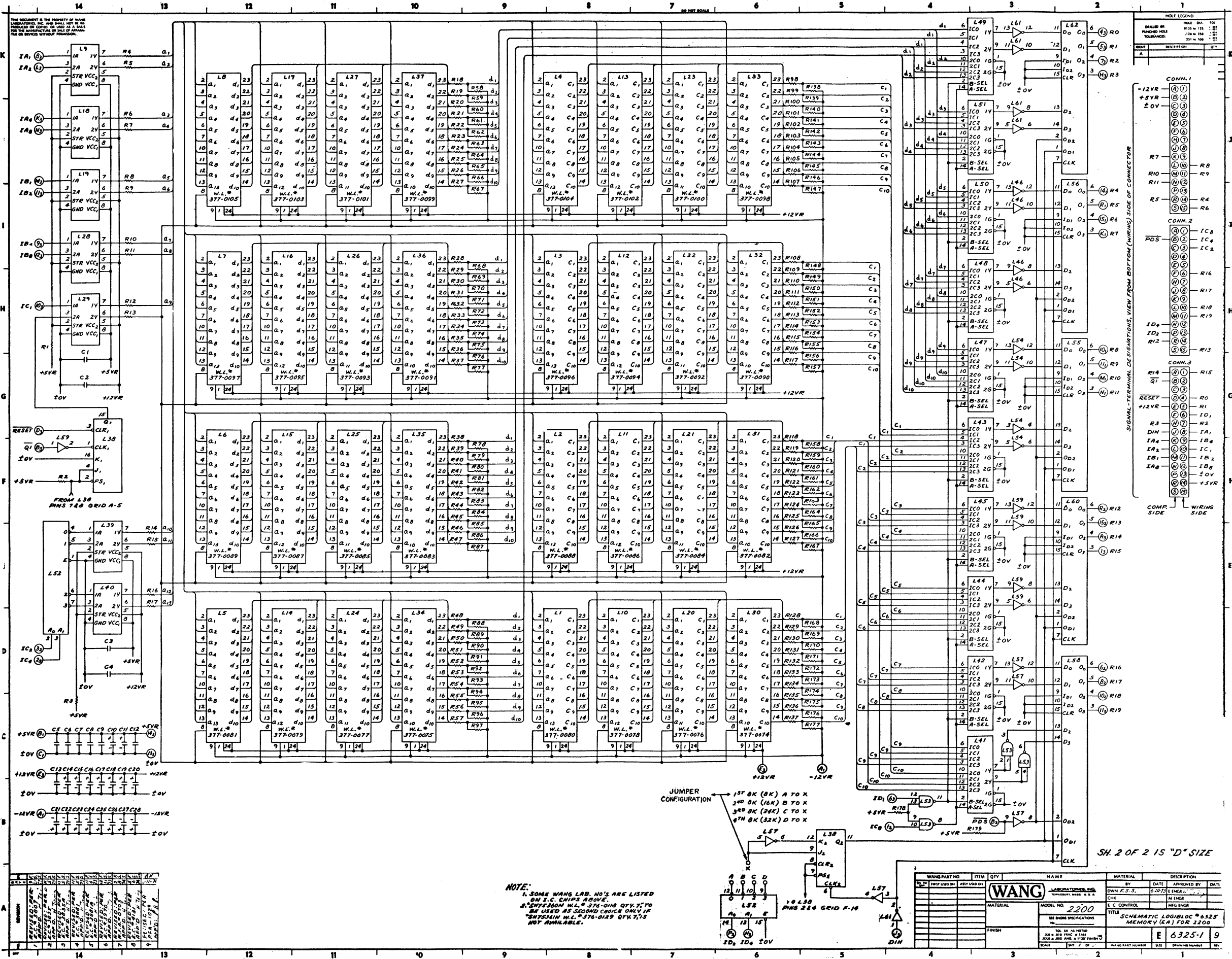
SIG.	PC. BD NO.	WIRE NO.	CONN. PIN NO.
±0V	1	1	1
RESET	2	2	2
LOP	3	3	3
DSTB	4	4	4
DA 1	5	5	5
DA 2	6	6	6
GI ON	7	7	7
GB 1	8	8	8
GB 2	9	9	9
GB 3	10	10	10
BSY	11	11	11
+12VR	12	12	12

SIG.	PC. BD NO.	WIRE NO.	CONN. PIN NO.
±0V	13	13	13
GH DN	15	15	15
GB 4	16	16	16
GB 5	17	17	17
±0V	18	18	18
GB 6	19	19	19
GOSTB	20	20	20
-12VR	21	21	21
GB 7	22	22	22
CH. GND	14	23	23
±0V	24	24	24

NOTE:-
 1. STRIP BACK 1/4" AND TIN 1/8"
 2. FOLD BACK AND TIE ALL UNUSED WIRES

REVISION	DATE	BY	REASON
1	11-24-73	JRB	REVISED PER ECNS 1043A, JRB 4-26-74
2	12-5-73	JRB	REVISED PER ECNS 1043A, JRB 4-26-74
3	12-5-73	JRB	REVISED PER ECNS 1043A, JRB 4-26-74

660-0202		1	A/R	SOLDER	G3-37 ALLOY	
WANG PART NO.	ITEM	QTY.	NAME		MATERIAL	DESCRIPTION
	FIRST USED ON	ASSY USED ON	BY		DATE	APPROVED BY
			DWN JB		3-12-73	E ENGR (J)
			CHK			M ENGR
			E C CONTROL			MFG ENGR
			TITLE SCHEMATIC, POWER 6324 SUPPLY MOTHER BOARD			
			FINISH		D 6324-1 3	
			SCALE		WANG PART NUMBER	
			DWT		SIZE	
			GP		DRAWING NUMBER	
					REV.	



THIS DOCUMENT IS THE PROPERTY OF WANG LABORATORIES, INC. AND SHALL NOT BE REPRODUCED OR TRANSMITTED IN ANY FORM OR BY ANY MEANS, ELECTRONIC OR MECHANICAL, INCLUDING PHOTOCOPYING, RECORDING, OR BY ANY INFORMATION STORAGE AND RETRIEVAL SYSTEM, WITHOUT PERMISSION FROM WANG LABORATORIES, INC.

REV.	DESCRIPTION	DATE	BY	APPROVED BY
1	REVISED TO ADD...
2	REVISED TO ADD...
3	REVISED TO ADD...
4	REVISED TO ADD...
5	REVISED TO ADD...
6	REVISED TO ADD...
7	REVISED TO ADD...
8	REVISED TO ADD...
9	REVISED TO ADD...

NOTE:
 1. SOME WANG LAB. NO'S ARE LISTED ON I.C. CHIPS ABOVE.
 2. COMPONENT W.L.# 377-0103 QTY:7 TO BE USED AS SECOND CHOICE ONLY IF "BENTON" W.L.# 374-0129 QTY:7'S NOT AVAILABLE.

WANG PART NO.	ITEM	QTY	NAME	MATERIAL	DESCRIPTION
...
...
...
...
...

SH. 2 OF 2 IS "D" SIZE

SEE JUMPER CONFIGURATION IN ZONE 6B ON SH. 1 OF 2

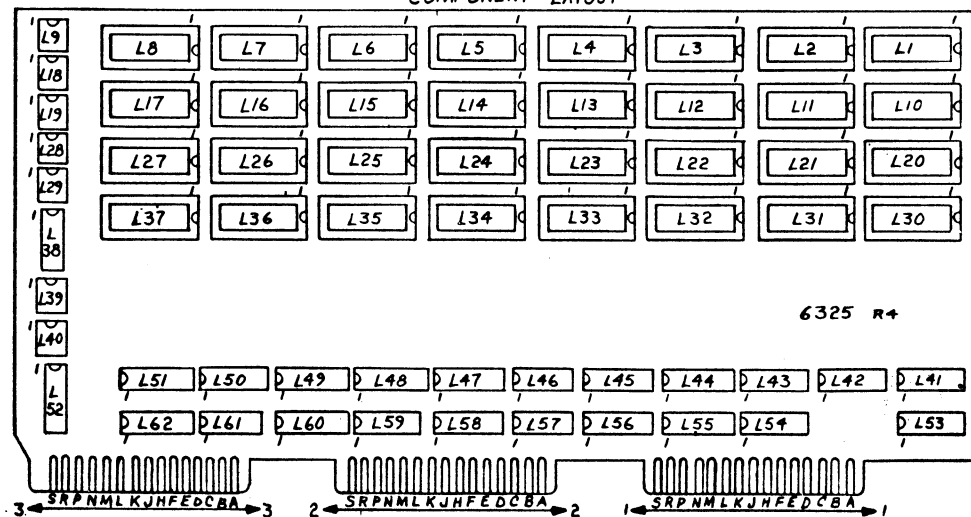
L57,P5 TO L52,P12

L57,P5 TO L52,P11

	AI *	A2 *	BI *	BX1 *	BX2 *	BX2M *
L1	377-0080	377-0163	377-0163	377-0183	377-0203	377-0203
L2	377-0088	377-0088	377-0088	377-0191	377-0191	377-0191
L3	377-0135	377-0171	377-0171			377-0223
L4	377-0104	377-0175	377-0175			
L5	377-0081	377-0164	377-0164	377-0184	377-0202	377-0202
L6	377-0089	377-0089	377-0089	377-0192	377-0192	377-0192
L7	377-0136	377-0172	377-0172			377-0224
L8	377-0105	377-0176	377-0176			
L10	377-0078	377-0078	377-0078	377-0181	377-0181	377-0181
L11	377-0086	377-0086	377-0086	377-0189	377-0200	377-0200
L12	377-0094	377-0169	377-0169			377-0221
L13	377-0133	377-0133	377-0173			
L14	377-0079	377-0079	377-0079	377-0182	377-0182	377-0182
L15	377-0087	377-0087	377-0087	377-0190	377-0201	377-0201
L16	377-0095	377-0170	377-0170			377-0222
L17	377-0134	377-0134	377-0174			
L20	377-0076	377-0076	377-0076	377-0179	377-0179	377-0179
L21	377-0084	377-0084	377-0084	377-0187	377-0198	377-0198
L22	377-0092	377-0092	377-0092	377-0195	377-0195	377-0195
L23	377-0100	377-0100	377-0100			
L24	377-0077	377-0077	377-0077	377-0180	377-0180	377-0180
L25	377-0130	377-0130	377-0130	377-0188	377-0199	377-0199
L26	377-0093	377-0093	377-0093	377-0196	377-0196	377-0196
L27	377-0101	377-0101	377-0101			
L30	377-0128	377-0128	377-0161	377-0177	377-0177	377-0177
L31	377-0082	377-0165	377-0165	377-0185	377-0185	377-0185
L32	377-0090	377-0167	377-0167	377-0193	377-0193	377-0193
L33	377-0131	377-0131	377-0131			
L34	377-0129	377-0129	377-0162	377-0178	377-0178	377-0178
L35	377-0083	377-0166	377-0166	377-0186	377-0197	377-0197
L36	377-0091	377-0168	377-0168	377-0194	377-0194	377-0194
L37	377-0132	377-0132	377-0132			

* PREFIX & SUFFIX IDENTIFICATION
 "A" - 2200A
 "B" - 2200B
 "M" - MATRIX OPTION, LOAD L3,7,12,46
 "X" - DEFINES 2ND BK ROM IN A 2200B

COMPONENT LAYOUT

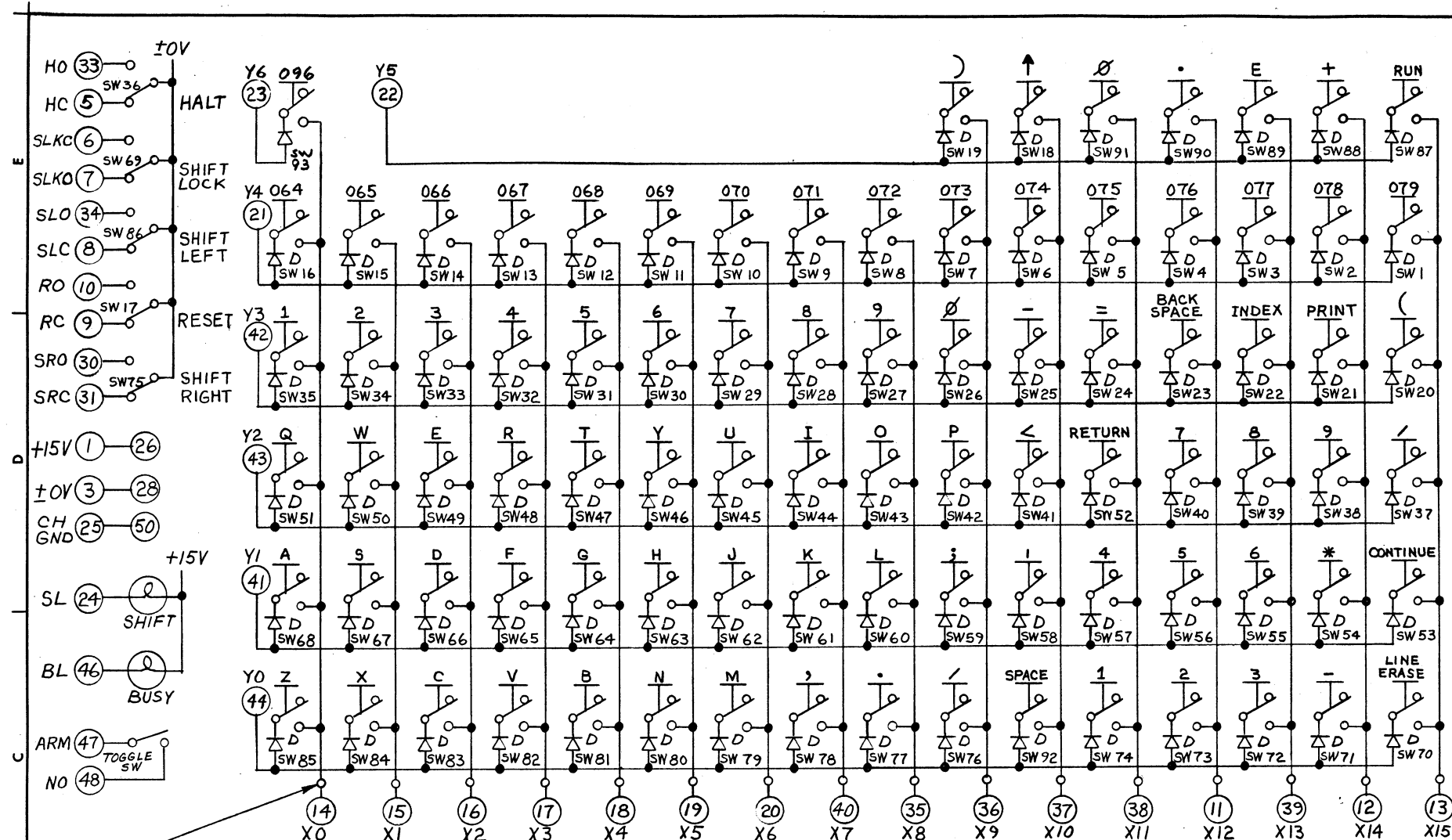


LOCATION	TYPE	W.L. P/N	TERM. NO. 20V	TERM. NO. Vcc+5V	QTY.
L9,10,19,28,29,39,40	SN7536IN SEE NOTE 2	376-0129	4	8	7
L38	SN7476N	376-0007	5	13	1
L41,42,43,44,45, 47,48,49,50,51	SN74153N	376-0048	8	16	10
L52	F9321	376-0096	8	16	1
L53	SN7437N	376-0068	7	14	1
L46,54,57,59,61	SN7404N	376-0010	7	14	5
L55,56,58,60,62	BT10	376-0137	8	16	5
REF. NOTE 1	I.C. SOCKET	376-9003			32

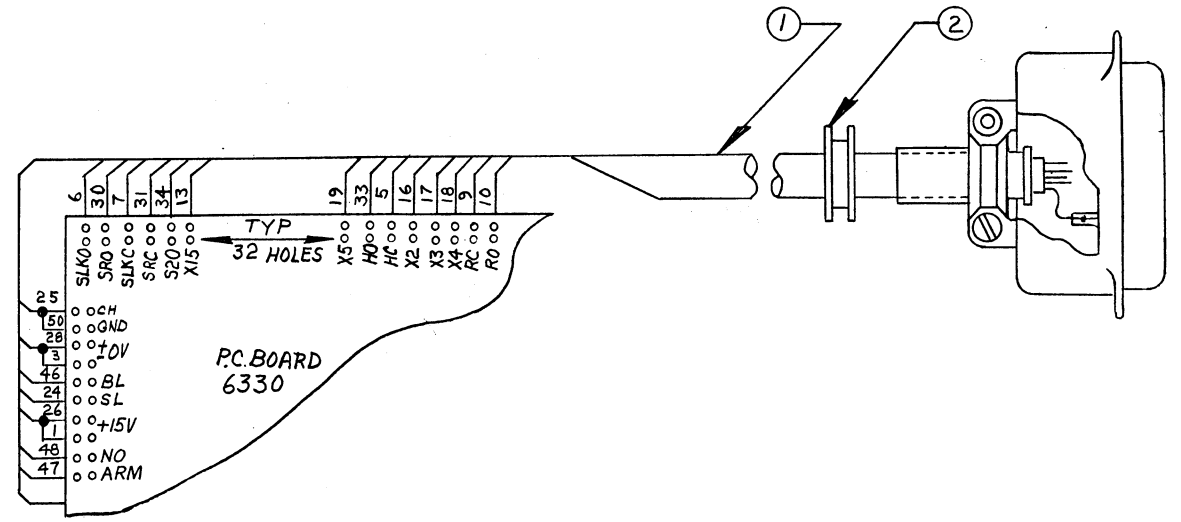
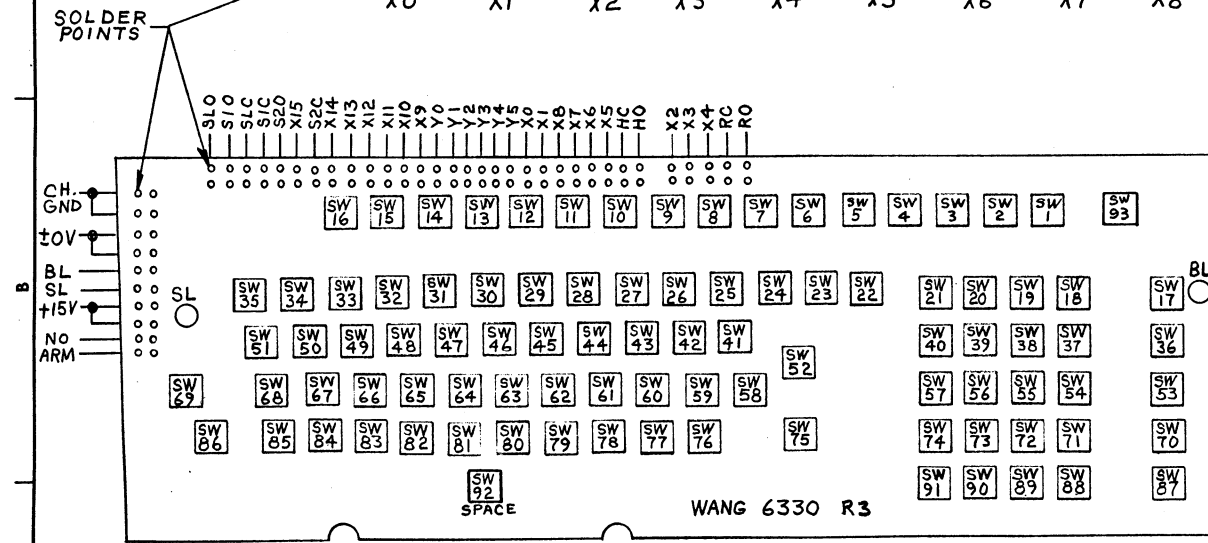
NOTES:
 1. SEE JUMPER CONFIGURATION ON SHEET 1 OF 2.

COMPONENT	SIZE/TYPER	W.L. P/N	QTY
R1,3	1K 1/4W	330-3010	2
R2	4.7K 1/4W	330-3047	1
R4-17	10Ω 1/4W	330-3010	14
R18-57,98- 137,178	2.7K 1/4W	330-3027	81
R58-97, 138-177	6.8K 1/4W	330-3068	80
R179	2.2K 1/4W	330-3022	1
C1-4,12,13	.1μF 50V	300-1930	6
C5-9	.05μF 12V	300-1900	5
C10,11,14,21	15μF 20V TANT	300-4022	4
C15-20,22-28	1μF 35V TANT	300-4000	13

WANG LABORATORIES INC.
 TEWKSBURY, MASS.
 MODEL NO. 2200
 DRAWN BY P 6-11-74
 CHECKED BY P.P.R. 6-17-74
 TITLE: SCHEMATIC LOGIBLOC # 6325 VARIATION CHART
 REV. 2 OF 2
 Dwg. No. 6325-1



SIGNAL	WIRE NO.	PIN NO.	SIGNAL	WIRE NO.	PIN NO.
+15V	1	1	+15V	26	26
±0V	2	2	±0V	27	27
±0V	3	3	±0V	28	28
±0V	4	4	±0V	29	29
HC	5	5	SR0	30	30
SLKC	6	6	SRC	31	31
SLK0	7	7		32	32
SLC	8	8	HO	33	33
RC	9	9	SL0	34	34
RO	10	10	X8	35	35
XI2	11	11	X9	36	36
XI4	12	12	X10	37	37
XI5	13	13	X11	38	38
X0	14	14	X13	39	39
X1	15	15	X7	40	40
X2	16	16	Y1	41	41
X3	17	17	Y3	42	42
X4	18	18	Y2	43	43
X5	19	19	Y0	44	44
X6	20	20		45	45
Y4	21	21	BL	46	46
Y5	22	22	ARM	47	47
Y6	23	23	NO	48	48
SL	24	24		49	49
CHAS.	25	25	CHAS.	50	50



REV.	DATE	BY	CHKD.	DESCRIPTION
0	8-17-73	PER	APP'D.	CHANGED PER RFA-0329
1	2-21-74	PER	APP'D.	REV PER ECN 4040
2	10/3/74	PER	APP'D.	REV PER ECN 4401
3	2-12-75	PER	APP'D.	REVISED PER RFA-1497
4	2-25-75	PER	APP'D.	REVISED PER RFA-1536

ITEM	QTY.	NAME	DESCRIPTION
380-1001	68	SIL. DIODE	4B
SWITHRU 16#	325-2413	17	OAK SWITCH
ALL OTHERS	325-2405	71	OAK SWITCH
SW17,36,69,75,86	325-2407	5	OAK SWITCH
	370-0004	2	LAMP
	654-1205	2	REF GROMMET
	220-2650-1	1	REF CABLE ASSY.
WANG PART NO.			

TOL. EX. AS NOTED
 .XX ± 0.10 FRAC. ± /
 .XXX ± 0.08 ANG. ±

WANG LABORATORIES INC.
 TEWKSBURY, MASS.

MODEL NO. 2222
 DRAWN BY: K
 5-30-73
 APP'D.: [Signature]
 6-5-73

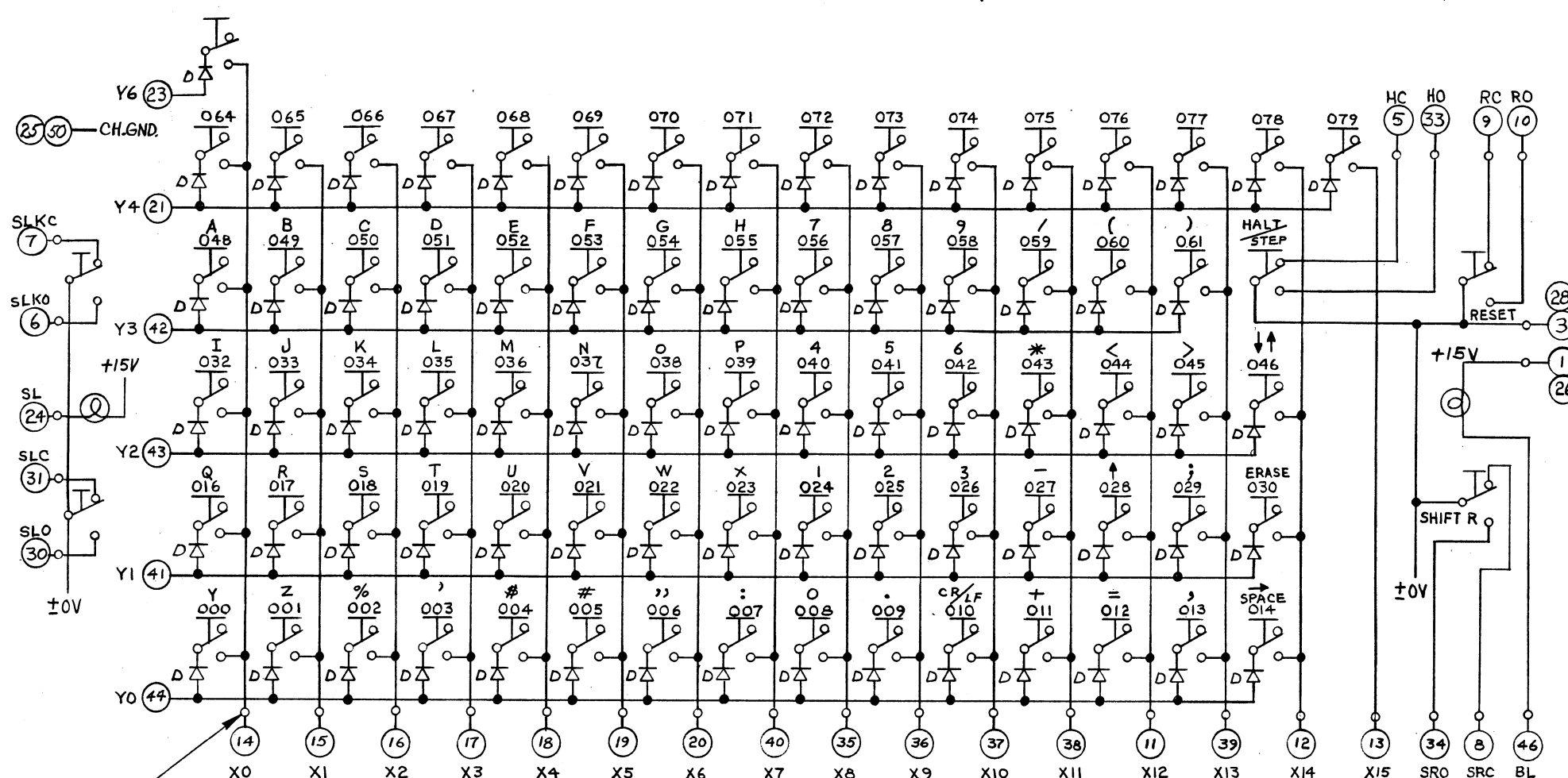
CHECKED: [Signature]
 APP.: [Signature]

TITLE: SCHEMATIC LOGIBLOC 2222 KEYBOARD

FINISH: [Blank]
 SCALE: [Blank]

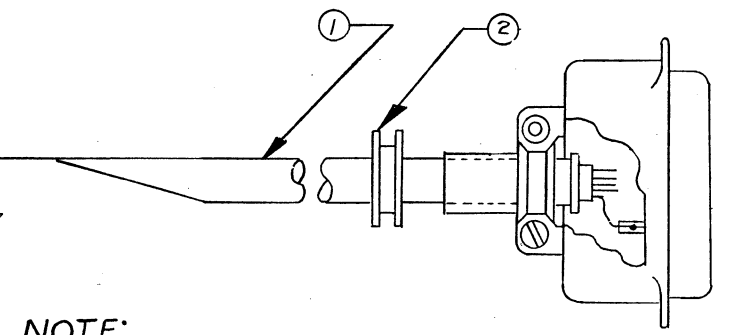
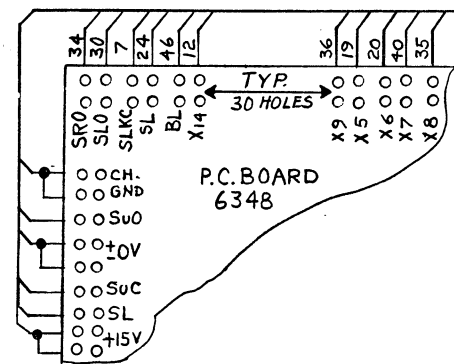
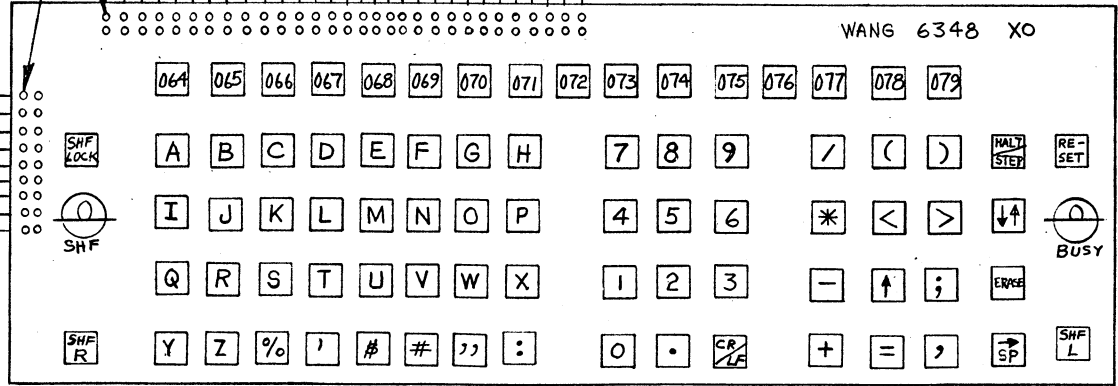
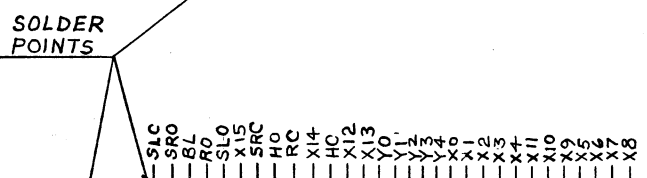
W.O. NO. [Blank]
 DWG. NO. C 6330
 REV. 4

DEE9 3 ON 5Mg



SIGNAL	WIRE NO.	PIN NO.
+15V	1	1
X	2	2
±0V	3	3
X	X	4
HC	5	5
SLK0	6	6
SLKC	7	7
SRC	8	8
RC	9	9
R0	10	10
X12	11	11
X14	12	12
X15	13	13
X0	14	14
X1	15	15
X2	16	16
X3	17	17
X4	18	18
X5	19	19
X6	20	20
Y4	21	21
X	22	22
Y6	23	23
SL	24	24
CHAS.	25	25

SIGNAL	WIRE NO.	PIN NO.
+15V	26	26
X	27	27
±0V	28	28
X	X	29
SLO	30	30
SLC	31	31
X	32	32
HO	33	33
SRO	34	34
X8	35	35
X9	36	36
X10	37	37
X11	38	38
X13	39	39
X7	40	40
Y1	41	41
Y3	42	42
Y2	43	43
Y0	44	44
X	45	45
BL	46	46
X	47	47
X	48	48
X	X	49
CHAS.	50	50



NOTE:
 1. IF UNIT IS NOT AN EDIT VERSION, DELETE (1) 325-2413 AND (1) 380-1001
 2. THE SHIFT LOCK SWITCH (SLK) IS WIRED REVERSED ON MODEL 2215.

E.REV.
 O

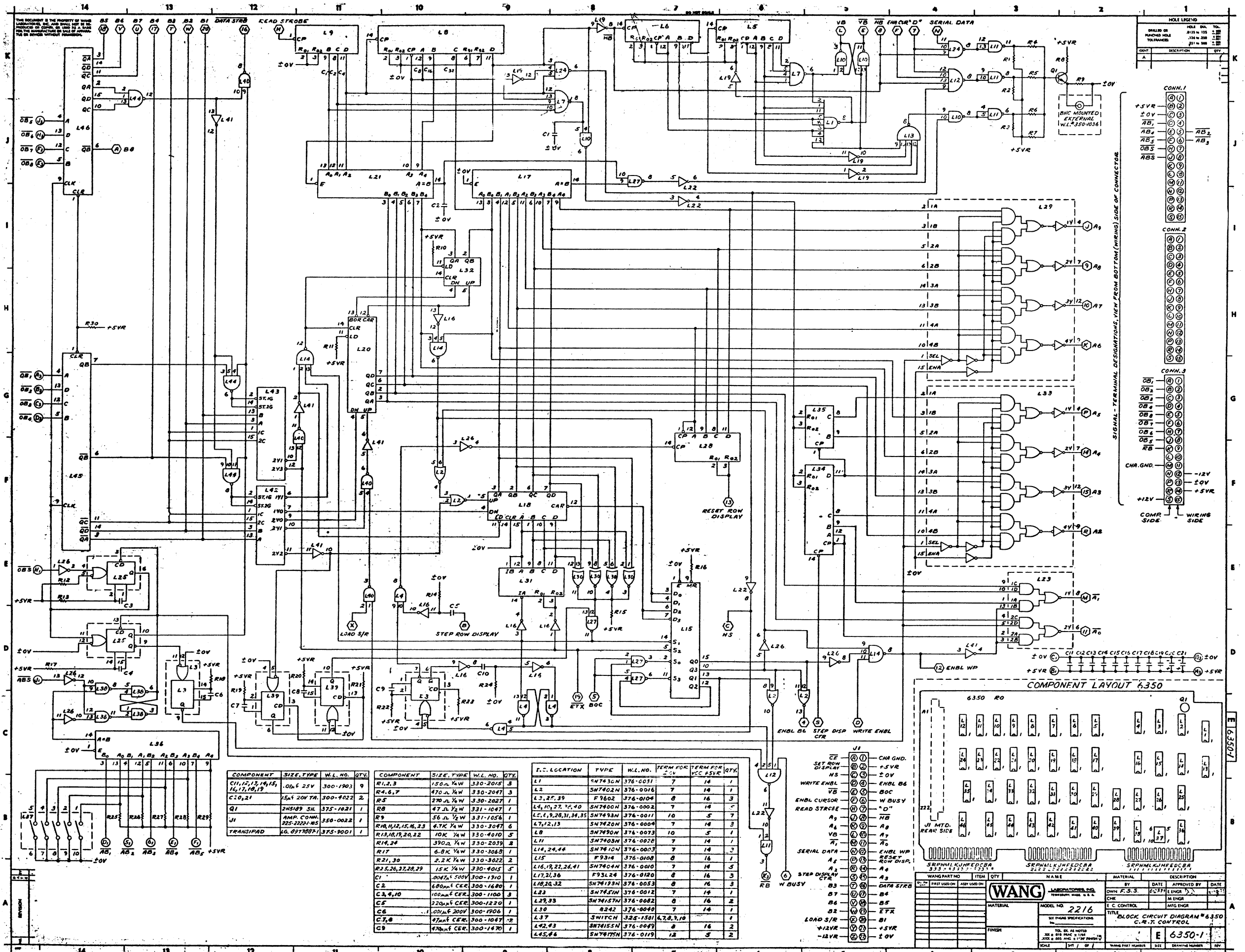
NOTE: 1-STRIP BACK 1/4" & TIN 1/8"

NO.	REVISION	BY	DATE	DESCRIPTION
1	REV PER RFA-0330	BR	8-17-73	
2	REV PER RFA-4039	BR	2-21-74	
3	REV PER ECN 4039	BR	10/2/74	
4	REV PER RFA-4388	BR	2-25-75	

WANG PART NO.	ITEM	QTY.	NAME	MATERIAL	DESCRIPTION
380-1001	7	76	SIL. DIODE		4B
325-2413	6	17	OAK SWITCH (SW64-79)		7/16" SPST
325-2405	5	59	OAK SWITCH		1/2" SPST
325-2407	4	5	OAK SWITCH		1/2" SPDT
370-0002	3	2	LAMP		1762 CLEAR
654-1205	2	REF	GROMMET		1/2 I.D. - 3/4 HOLE
220-0101	1	REF	CABLE ASSY.		DWG.# C-6422-142

TOL. EX. AS NOTED	FINISH
.XX ±.010	✓
.XXX ±.005	
FRAC. ±1/64	
ANG. ±0°30'	

IDENT	QTY	NAME	MATERIAL	DESCRIPTION
WANG LABORATORIES, INC. TEWKSBURY, MASS. U. S. A.				
MODEL No.	2215	W.O. No.	SCALE	SHEET OF
TITLE SCHEMATIC LOGIBLOC 2200 KEYBOARD #6348				
210-6348		4	C	6348
PART NUMBER		REV	SIZE	DRAWING NUMBER



COMPONENT	SIZE, TYPE	W.L. NO.	QTY.
C11, 12, 13, 14, 15, 16, 17, 18, 19	.004" 25V	300-1903	9
C20, 21	15V 20V TR.	300-4022	2
Q1	2N5189 SIL	375-1821	1
J1	AMP. CONN.	225-2321-MS	350-0022
TRANSIPAD	16. 89778871	375-9001	1

COMPONENT	SIZE, TYPE	W.L. NO.	QTY.
R1, 2, 3	150A 1/4W	330-2015	3
R4, 6, 7	470A 1/4W	330-2047	3
R5	270A 1/4W	330-2027	1
R8	47A 1/2W	331-1047	1
R9	56A 1/2W	331-1056	1
R10, 11, 15, 16, 23	47K 1/4W	330-3047	6
R13, 18, 19, 20, 22	10K 1/4W	330-4010	5
R14, 24	390A 1/4W	330-2039	2
R17	6.8K 1/4W	330-3068	1
R21, 30	2.2K 1/4W	330-3022	2
R25, 26, 27, 28, 29	15K 1/4W	330-4015	5
C1	.0047uF 500V	300-1910	1
C2	680uF CER.	300-1480	1
C3, 4, 10	100uF CER.	300-1100	3
C5	220uF CER.	300-1220	1
C6	1.00uF 200V	300-1906	1
C7, 8	47uF CER.	300-1047	2
C9	47uF CER.	300-1470	1

F.L. LOCATION	TYPE	W.L. NO.	TERM FOR VCC +5VR	TERM FOR GND
L1	SN7430N	376-0016	7	14
L2	SN7402N	376-0016	7	14
L3, 25, 39	F 9602	376-0104	8	16
L4, 10, 27, 30, 40	SN7400N	376-0002	7	14
L5, 1, 9, 28, 31, 34, 35	SN7493N	376-0011	10	5
L6, 12, 13	SN7420N	376-0004	7	14
L7, 21, 32	SN7490N	376-0073	10	5
L8	SN7403N	376-0028	7	14
L11, 24, 44	SN7410N	376-0003	7	14
L15	F 9314	376-0008	8	16
L16, 19, 22, 26, 41	SN7404N	376-0010	7	14
L17, 21, 36	F 9324	376-0120	8	16
L18, 24, 32	SN7413N	376-0053	8	16
L23	SN7415N	376-0012	7	14
L29, 33	SN7415N	376-0012	8	16
L30	8242	376-0040	7	14
L37	SWITCH	325-1501	4, 7, 8, 9, 10	1
L42, 43	SN7415N	376-0049	8	16
L45, 46	SN7415N	376-0119	12	5

TERMINAL	SIGNAL
1	CHG. GND.
2	SET ROW DISPLAY
3	NS
4	NS
5	WRITE ENBL
6	VB
7	ENBL CURSOR
8	READ STROBE
9	"0"
10	NS
11	NS
12	NS
13	NS
14	NS
15	NS
16	NS
17	NS
18	NS
19	NS
20	NS
21	NS
22	NS
23	NS
24	NS
25	NS
26	NS
27	NS
28	NS
29	NS
30	NS
31	NS
32	NS
33	NS
34	NS
35	NS
36	NS
37	NS
38	NS
39	NS
40	NS
41	NS
42	NS
43	NS
44	NS
45	NS
46	NS
47	NS
48	NS
49	NS
50	NS
51	NS
52	NS
53	NS
54	NS
55	NS
56	NS
57	NS
58	NS
59	NS
60	NS
61	NS
62	NS
63	NS
64	NS
65	NS
66	NS
67	NS
68	NS
69	NS
70	NS
71	NS
72	NS
73	NS
74	NS
75	NS
76	NS
77	NS
78	NS
79	NS
80	NS
81	NS
82	NS
83	NS
84	NS
85	NS
86	NS
87	NS
88	NS
89	NS
90	NS
91	NS
92	NS
93	NS
94	NS
95	NS
96	NS
97	NS
98	NS
99	NS
100	NS

COMPONENT LAYOUT 6350

WANG LABORATORIES, INC. MODEL NO. 2216

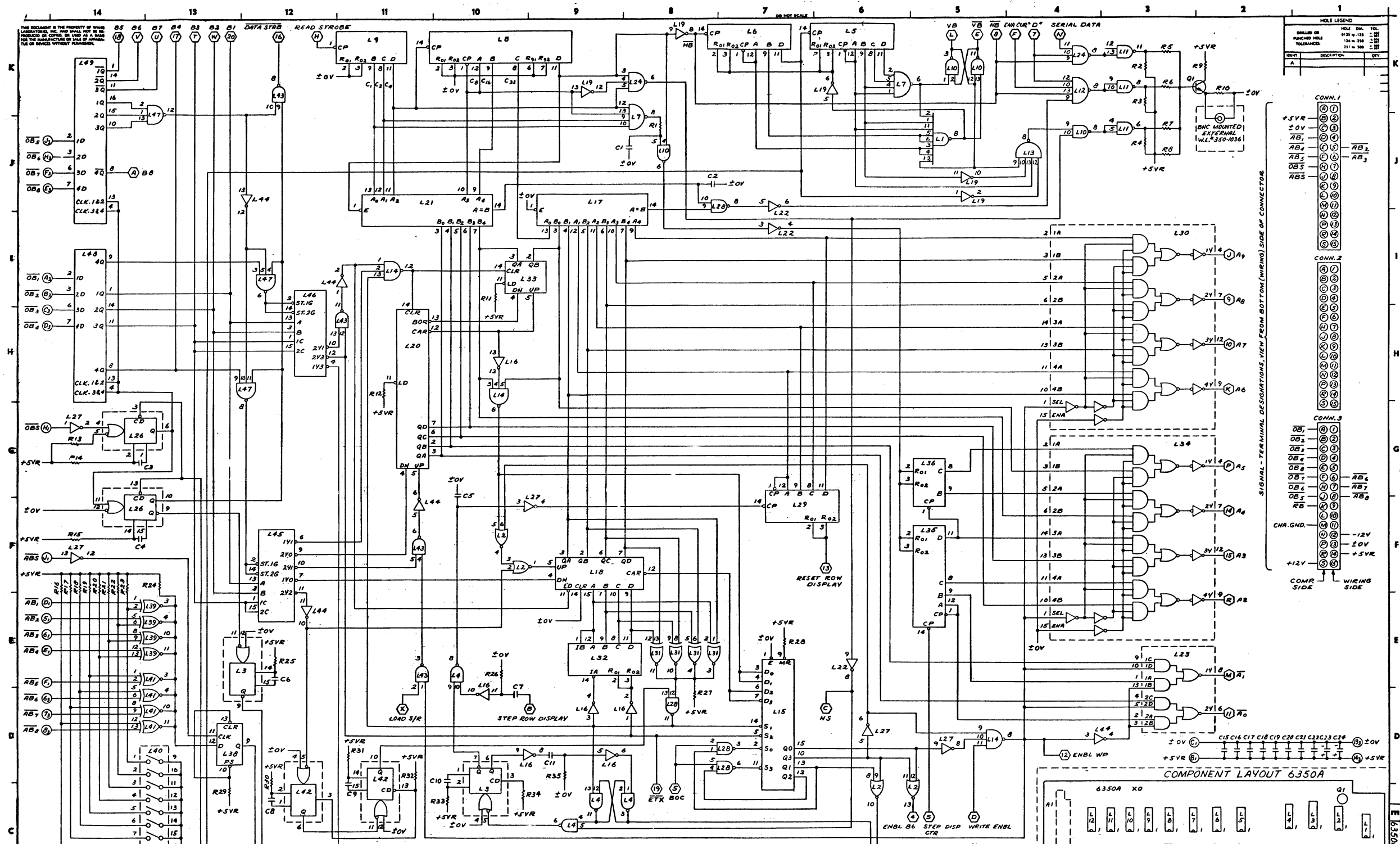
DATE: 10.10.1964

BY: [Signature]

APPROVED BY: [Signature]

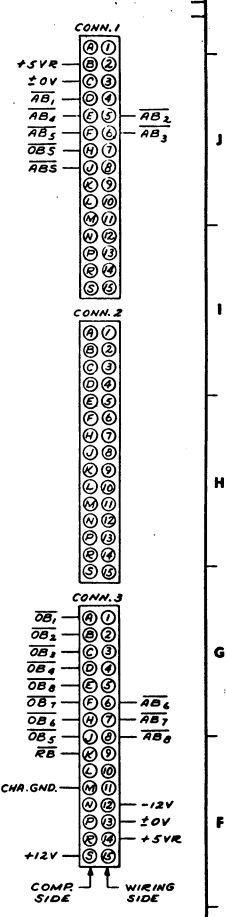
DESCRIPTION: BLOCK CIRCUIT DIAGRAM # 6350 C.A. 10.10.1964

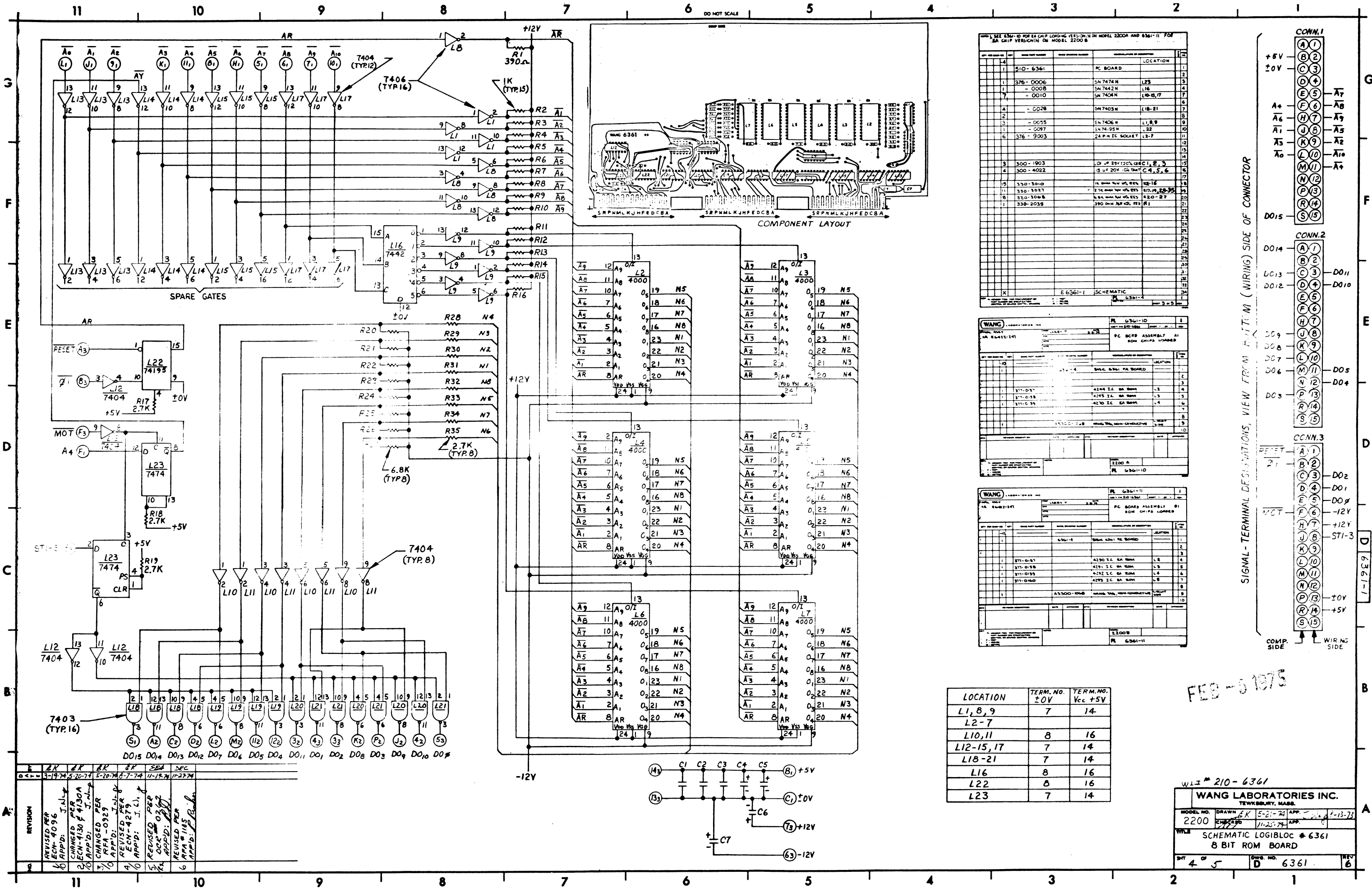
DRAWING NUMBER: E 6350-1



HOLE LEGEND

DRILL OR	HOLE DIA.	TOL.
PUNCH OR	.113 ± .001	± .001
TOLERANCES:	.125 ± .001	± .001
	.150 ± .001	± .001
	.1875 ± .001	± .001
	.250 ± .001	± .001
	.3125 ± .001	± .001
	.375 ± .001	± .001
	.4375 ± .001	± .001
	.500 ± .001	± .001
	.5625 ± .001	± .001
	.625 ± .001	± .001
	.6875 ± .001	± .001
	.750 ± .001	± .001
	.8125 ± .001	± .001
	.875 ± .001	± .001
	.9375 ± .001	± .001
	1.000 ± .001	± .001
	1.125 ± .001	± .001
	1.250 ± .001	± .001
	1.375 ± .001	± .001
	1.500 ± .001	± .001
	1.625 ± .001	± .001
	1.750 ± .001	± .001
	1.875 ± .001	± .001
	2.000 ± .001	± .001





LOC	TER. NO.	TER. NO.	DESCRIPTION	LOCATION
1	510-6361		PC BOARD	
1	376-0006	SN 7474N	L23	3
1	-0008	SN 7442N	L16	4
1	-0010	SN 7404N	L10-B, 17	7
4	-0028	SN 7403N	L18-21	7
2	-0055	SN 7406N	L1, 8, 9	8
3	-0097	SN 7495N	L22	10
6	376-9003	24 PIN IC SOCKET	L2-7	11
3	300-1903	DI. OF 25X120L. CER. C1, 2, 3		15
4	300-4022	5 U.P. 20V. CER. C4, 5, 6		16
15	330-3010	1K OHM 1/4W. RES. R2-16		18
11	330-3027	2.7K OHM 1/4W. RES. R17, 19, 20-25		19
8	320-3068	6.8K OHM 1/4W. RES. R26-27		20
1	330-2039	390 OHM 1/4W. RES. R1		21

LOC	TER. NO.	TER. NO.	DESCRIPTION	LOCATION
1	510-6361-10		PC BOARD ASSEMBLY A1	
1	510-6361-11		PC BOARD ASSEMBLY B1	
1	510-6361-12		PC BOARD ASSEMBLY C1	
1	510-6361-13		PC BOARD ASSEMBLY D1	
1	510-6361-14		PC BOARD ASSEMBLY E1	
1	510-6361-15		PC BOARD ASSEMBLY F1	
1	510-6361-16		PC BOARD ASSEMBLY G1	
1	510-6361-17		PC BOARD ASSEMBLY H1	
1	510-6361-18		PC BOARD ASSEMBLY I1	
1	510-6361-19		PC BOARD ASSEMBLY J1	
1	510-6361-20		PC BOARD ASSEMBLY K1	
1	510-6361-21		PC BOARD ASSEMBLY L1	
1	510-6361-22		PC BOARD ASSEMBLY M1	
1	510-6361-23		PC BOARD ASSEMBLY N1	
1	510-6361-24		PC BOARD ASSEMBLY O1	
1	510-6361-25		PC BOARD ASSEMBLY P1	
1	510-6361-26		PC BOARD ASSEMBLY Q1	
1	510-6361-27		PC BOARD ASSEMBLY R1	
1	510-6361-28		PC BOARD ASSEMBLY S1	
1	510-6361-29		PC BOARD ASSEMBLY T1	
1	510-6361-30		PC BOARD ASSEMBLY U1	
1	510-6361-31		PC BOARD ASSEMBLY V1	
1	510-6361-32		PC BOARD ASSEMBLY W1	
1	510-6361-33		PC BOARD ASSEMBLY X1	
1	510-6361-34		PC BOARD ASSEMBLY Y1	
1	510-6361-35		PC BOARD ASSEMBLY Z1	

LOC	TER. NO.	TER. NO.	DESCRIPTION	LOCATION
1	510-6361-10		PC BOARD ASSEMBLY A1	
1	510-6361-11		PC BOARD ASSEMBLY B1	
1	510-6361-12		PC BOARD ASSEMBLY C1	
1	510-6361-13		PC BOARD ASSEMBLY D1	
1	510-6361-14		PC BOARD ASSEMBLY E1	
1	510-6361-15		PC BOARD ASSEMBLY F1	
1	510-6361-16		PC BOARD ASSEMBLY G1	
1	510-6361-17		PC BOARD ASSEMBLY H1	
1	510-6361-18		PC BOARD ASSEMBLY I1	
1	510-6361-19		PC BOARD ASSEMBLY J1	
1	510-6361-20		PC BOARD ASSEMBLY K1	
1	510-6361-21		PC BOARD ASSEMBLY L1	
1	510-6361-22		PC BOARD ASSEMBLY M1	
1	510-6361-23		PC BOARD ASSEMBLY N1	
1	510-6361-24		PC BOARD ASSEMBLY O1	
1	510-6361-25		PC BOARD ASSEMBLY P1	
1	510-6361-26		PC BOARD ASSEMBLY Q1	
1	510-6361-27		PC BOARD ASSEMBLY R1	
1	510-6361-28		PC BOARD ASSEMBLY S1	
1	510-6361-29		PC BOARD ASSEMBLY T1	
1	510-6361-30		PC BOARD ASSEMBLY U1	
1	510-6361-31		PC BOARD ASSEMBLY V1	
1	510-6361-32		PC BOARD ASSEMBLY W1	
1	510-6361-33		PC BOARD ASSEMBLY X1	
1	510-6361-34		PC BOARD ASSEMBLY Y1	
1	510-6361-35		PC BOARD ASSEMBLY Z1	

LOCATION	TER. NO. ±0V	TER. NO. Vcc +5V
L1, 8, 9	7	14
L2-7		
L10, 11	8	16
L12-15, 17	7	14
L18-21	7	14
L16	8	16
L22	8	16
L23	7	14

FEB - 3 1975

W1# 210-6361

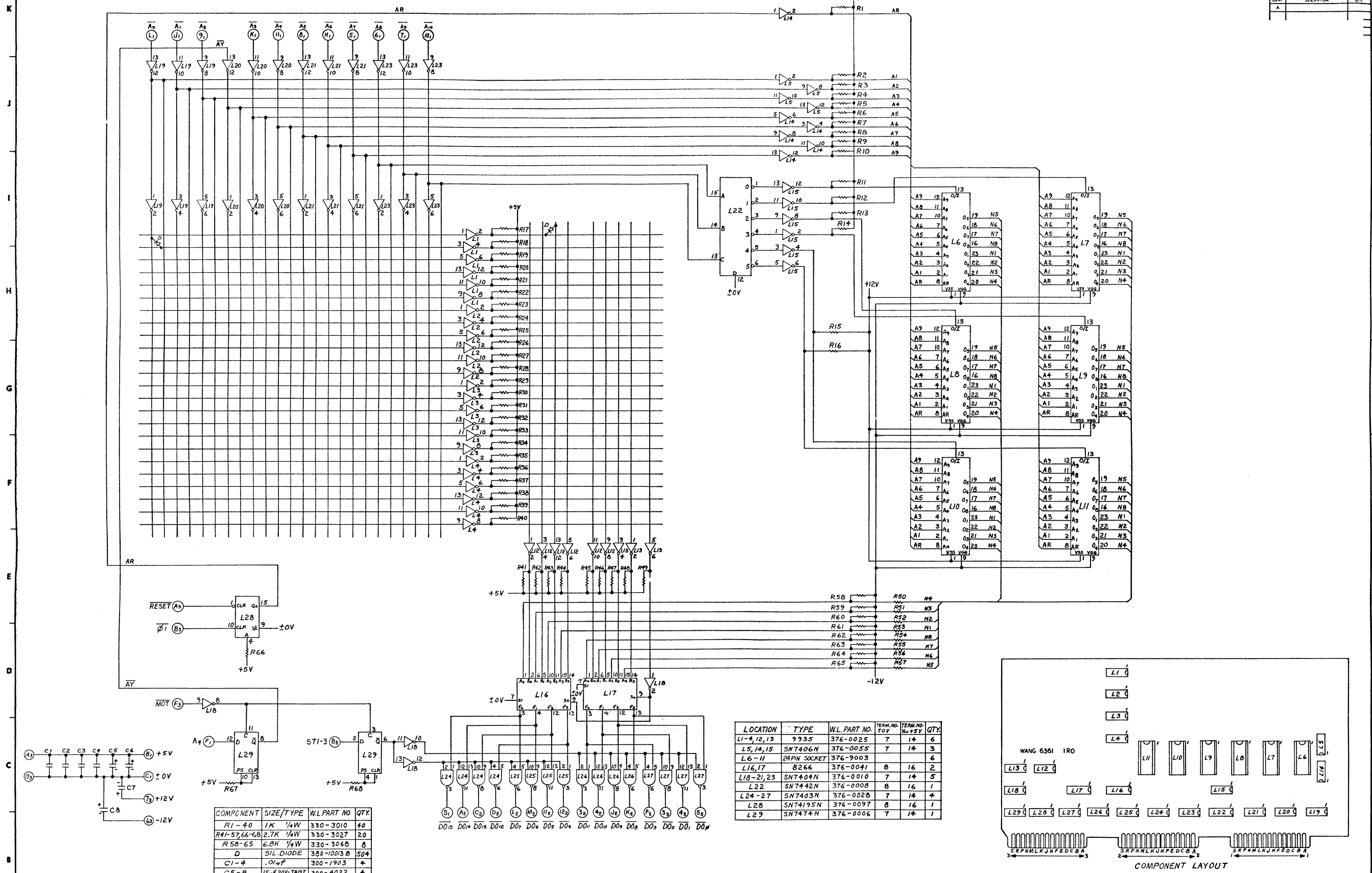
WANG LABORATORIES INC.
NEWBURGH, MASS.

MODEL NO. 2200 DRAWN BY: G.K. DATE: 5-21-74 APP. NO. 11-13-74

SCHEMATIC LOGIBLOC # 6361
8 BIT ROM BOARD

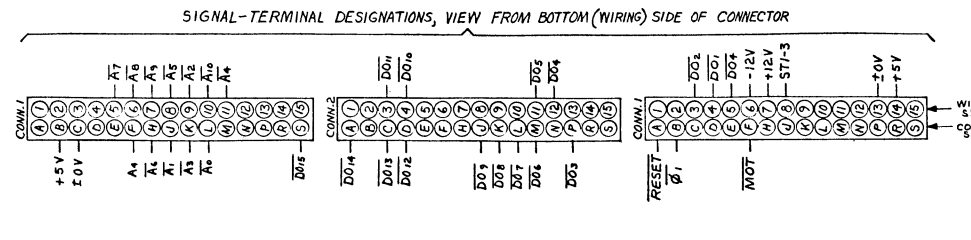
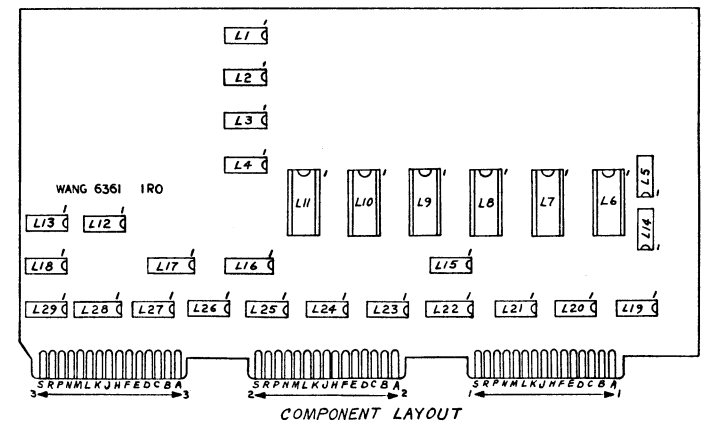
SHT 4 OF 5 Dwg. No. 6361-1 REV 6

HOLE LEGEND			
DRILLED OR PUNCHED HOLE	HOLE DIA.	DIA. TOL.	LOC.
135-123	.125	±.005	135-123
134-135	.125	±.005	134-135
131-130	.125	±.005	131-130



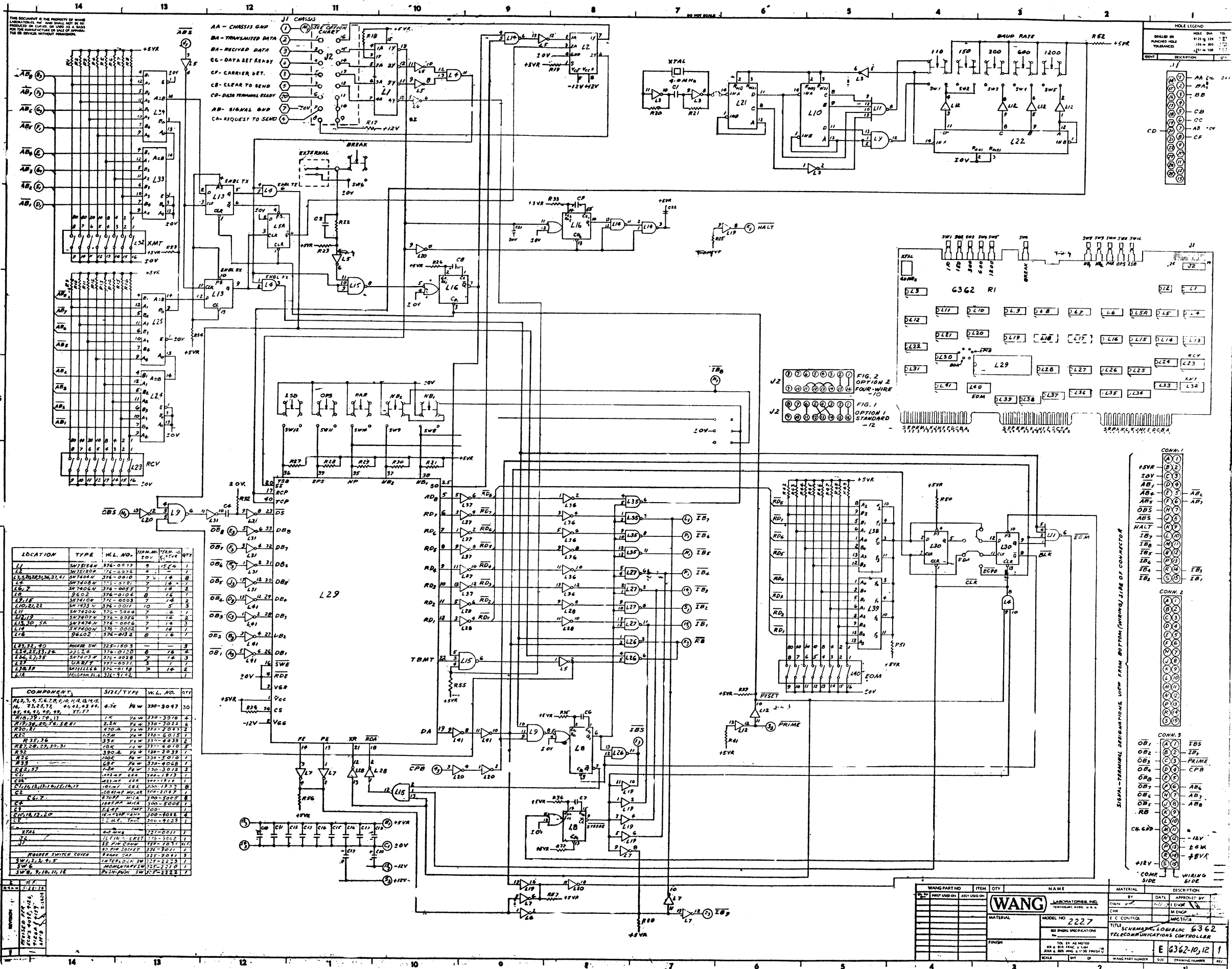
COMPONENT	SIZE/TYPE	W.L. PART NO.	QTY.
R1-40	1K 1/4W	330-3010	40
R41-57,66-68	2.7K 1/4W	330-3027	20
R58-65	6.8K 1/4W	330-3060	8
D	SIL. DIODE	380-1003 B	504
C1-4	.01uP	300-1903	4
C5-B	15uF, 20V-TANT	300-4022	4

LOCATION	TYPE	W.L. PART NO.	TERM. NO. 20V	TERM. NO. W/+5V	QTY.
L1-4, 12, 13	9935	376-0025	7	14	6
L5, 14, 15	SN7406N	376-0055	7	14	3
L6-11	24 PIN SOCKET	376-9003			6
L16, 17	8266	376-0041	8	16	2
L18-21, 23	SN7404N	376-0010	7	14	5
L22	SN7442N	376-0008	8	16	1
L24-27	SN7403N	376-0028	7	14	4
L28	SN74195N	376-0097	8	16	1
L29	SN7474N	376-0006	7	14	1

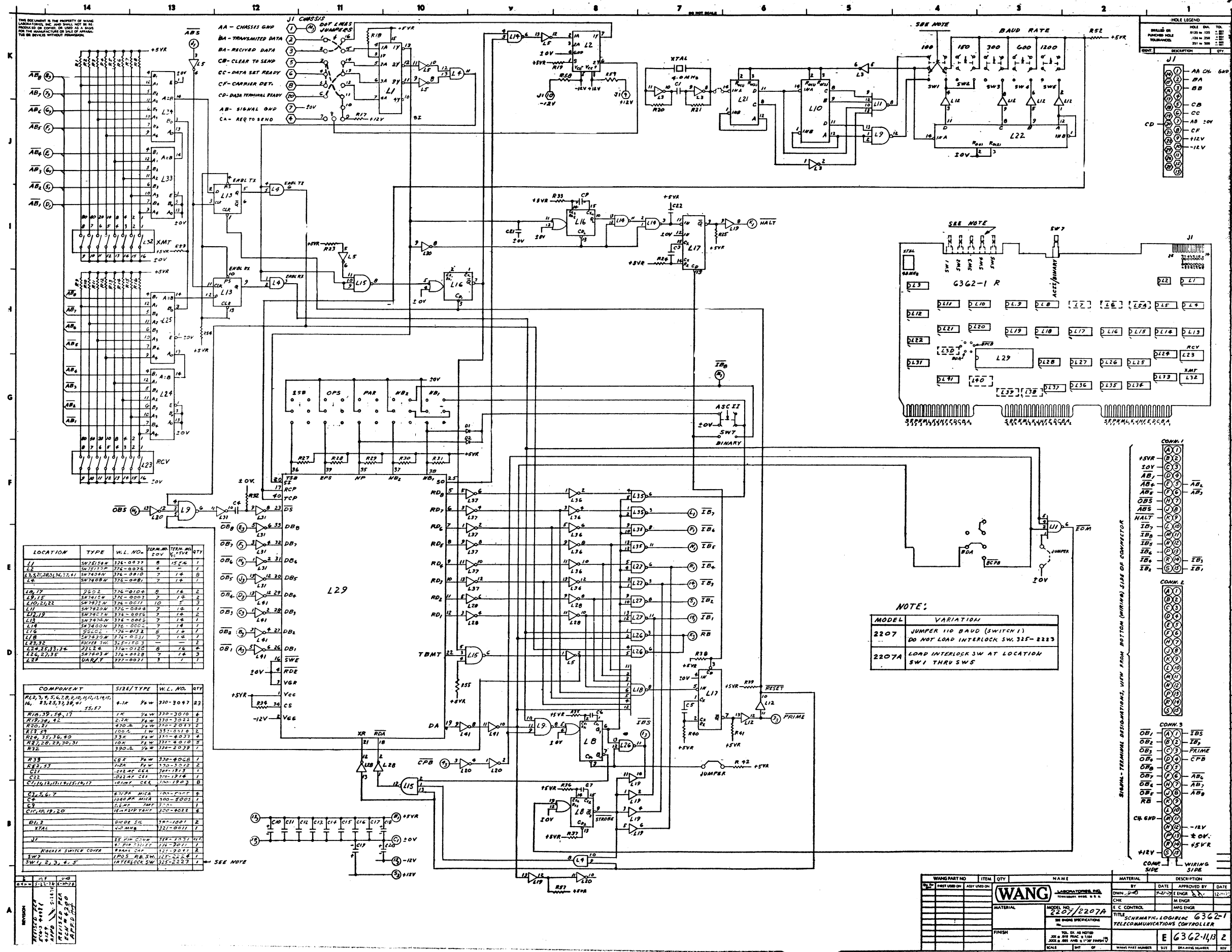


WANG PART NO.	ITEM	QTY.	NAME	MATERIAL	DESCRIPTION
2200	8-BIT ROM BOARD				

REV.	DESCRIPTION
1	



LOCATION	TYPE	W.L. NO.	FORM. NO.	QTY
L1	SW7514W	376-0077	8	156
L2	SW7515W	376-0078	8	156
L3	SW7516W	376-0079	8	156
L4	SW7517W	376-0080	8	156
L5	SW7518W	376-0081	8	156
L6	SW7519W	376-0082	8	156
L7	SW7520W	376-0083	8	156
L8	SW7521W	376-0084	8	156
L9	SW7522W	376-0085	8	156
L10	SW7523W	376-0086	8	156
L11	SW7524W	376-0087	8	156
L12	SW7525W	376-0088	8	156
L13	SW7526W	376-0089	8	156
L14	SW7527W	376-0090	8	156
L15	SW7528W	376-0091	8	156
L16	SW7529W	376-0092	8	156
L17	SW7530W	376-0093	8	156
L18	SW7531W	376-0094	8	156
L19	SW7532W	376-0095	8	156
L20	SW7533W	376-0096	8	156
L21	SW7534W	376-0097	8	156
L22	SW7535W	376-0098	8	156
L23	SW7536W	376-0099	8	156
L24	SW7537W	376-0100	8	156
L25	SW7538W	376-0101	8	156
L26	SW7539W	376-0102	8	156
L27	SW7540W	376-0103	8	156
L28	SW7541W	376-0104	8	156
L29	SW7542W	376-0105	8	156
L30	SW7543W	376-0106	8	156
L31	SW7544W	376-0107	8	156
L32	SW7545W	376-0108	8	156
L33	SW7546W	376-0109	8	156
L34	SW7547W	376-0110	8	156
L35	SW7548W	376-0111	8	156
L36	SW7549W	376-0112	8	156
L37	SW7550W	376-0113	8	156
L38	SW7551W	376-0114	8	156
L39	SW7552W	376-0115	8	156
L40	SW7553W	376-0116	8	156
L41	SW7554W	376-0117	8	156
L42	SW7555W	376-0118	8	156
L43	SW7556W	376-0119	8	156
L44	SW7557W	376-0120	8	156
L45	SW7558W	376-0121	8	156
L46	SW7559W	376-0122	8	156
L47	SW7560W	376-0123	8	156
L48	SW7561W	376-0124	8	156
L49	SW7562W	376-0125	8	156
L50	SW7563W	376-0126	8	156
L51	SW7564W	376-0127	8	156
L52	SW7565W	376-0128	8	156
L53	SW7566W	376-0129	8	156
L54	SW7567W	376-0130	8	156
L55	SW7568W	376-0131	8	156
L56	SW7569W	376-0132	8	156
L57	SW7570W	376-0133	8	156
L58	SW7571W	376-0134	8	156
L59	SW7572W	376-0135	8	156
L60	SW7573W	376-0136	8	156
L61	SW7574W	376-0137	8	156
L62	SW7575W	376-0138	8	156
L63	SW7576W	376-0139	8	156
L64	SW7577W	376-0140	8	156
L65	SW7578W	376-0141	8	156
L66	SW7579W	376-0142	8	156
L67	SW7580W	376-0143	8	156
L68	SW7581W	376-0144	8	156
L69	SW7582W	376-0145	8	156
L70	SW7583W	376-0146	8	156
L71	SW7584W	376-0147	8	156
L72	SW7585W	376-0148	8	156
L73	SW7586W	376-0149	8	156
L74	SW7587W	376-0150	8	156
L75	SW7588W	376-0151	8	156
L76	SW7589W	376-0152	8	156
L77	SW7590W	376-0153	8	156
L78	SW7591W	376-0154	8	156
L79	SW7592W	376-0155	8	156
L80	SW7593W	376-0156	8	156
L81	SW7594W	376-0157	8	156
L82	SW7595W	376-0158	8	156
L83	SW7596W	376-0159	8	156
L84	SW7597W	376-0160	8	156
L85	SW7598W	376-0161	8	156
L86	SW7599W	376-0162	8	156
L87	SW7600W	376-0163	8	156
L88	SW7601W	376-0164	8	156
L89	SW7602W	376-0165	8	156
L90	SW7603W	376-0166	8	156
L91	SW7604W	376-0167	8	156
L92	SW7605W	376-0168	8	156
L93	SW7606W	376-0169	8	156
L94	SW7607W	376-0170	8	156
L95	SW7608W	376-0171	8	156
L96	SW7609W	376-0172	8	156
L97	SW7610W	376-0173	8	156
L98	SW7611W	376-0174	8	156
L99	SW7612W	376-0175	8	156
L100	SW7613W	376-0176	8	156
L101	SW7614W	376-0177	8	156
L102	SW7615W	376-0178	8	156
L103	SW7616W	376-0179	8	156
L104	SW7617W	376-0180	8	156
L105	SW7618W	376-0181	8	156
L106	SW7619W	376-0182	8	156
L107	SW7620W	376-0183	8	156
L108	SW7621W	376-0184	8	156
L109	SW7622W	376-0185	8	156
L110	SW7623W	376-0186	8	156
L111	SW7624W	376-0187	8	156
L112	SW7625W	376-0188	8	156
L113	SW7626W	376-0189	8	156
L114	SW7627W	376-0190	8	156
L115	SW7628W	376-0191	8	156
L116	SW7629W	376-0192	8	156
L117	SW7630W	376-0193	8	156
L118	SW7631W	376-0194	8	156
L119	SW7632W	376-0195	8	156
L120	SW7633W	376-0196	8	156
L121	SW7634W	376-0197	8	156
L122	SW7635W	376-0198	8	156
L123	SW7636W	376-0199	8	156
L124	SW7637W	376-0200	8	156
L125	SW7638W	376-0201	8	156
L126	SW7639W	376-0202	8	156
L127	SW7640W	376-0203	8	156
L128	SW7641W	376-0204	8	156
L129	SW7642W	376-0205	8	156
L130	SW7643W	376-0206	8	156
L131	SW7644W	376-0207	8	156
L132	SW7645W	376-0208	8	156
L133	SW7646W	376-0209	8	156
L134	SW7647W	376-0210	8	156
L135	SW7648W	376-0211	8	156
L136	SW7649W	376-0212	8	156
L137	SW7650W	376-0213	8	156
L138	SW7651W	376-0214	8	156
L139	SW7652W	376-0215	8	156
L140	SW7653W	376-0216	8	156
L141	SW7654W	376-0217	8	156
L142	SW7655W	376-0218	8	156
L143	SW7656W	376-0219	8	156
L144	SW7657W	376-0220	8	156
L145	SW7658W	376-0221	8	156
L146	SW7659W	376-0222	8	156
L147	SW7660W	376-0223	8	156
L148	SW7661W	376-0224	8	156
L149	SW7662W	376-0225	8	156
L150	SW7663W	376-0226	8	156
L151	SW7664W	376-0227	8	156
L152	SW7665W	376-0228	8	156
L153	SW7666W	376-0229	8	156
L154	SW7667W	376-0230	8	156
L155	SW7668W	376-0231	8	156
L156	SW7669W	376-0232	8	156
L157	SW7670W	376-0233	8	156
L158	SW7671W	376-0234	8	156
L159	SW7672W	376-0235	8	156
L160	SW7673W	376-0236	8	156
L161	SW7674W	376-0237	8	156
L162	SW7675W	376-0238	8	156
L163	SW7676W	376-0239	8	156
L164	SW7677W	376-0240	8	156
L165	SW7678W	376-0241	8	156
L166	SW7679W	376-0242	8	156
L167	SW7680W	376-0243	8	156
L168	SW7681W	376-0244	8	156
L169	SW7682W	376-0245	8	156
L170	SW7683W	376-0246	8	156
L171	SW7684W	376-0247	8	156
L172	SW7685W	376-0248	8	156
L173	SW7686W	376-0249	8	156
L174	SW7687W	376-0250	8	156
L175	SW7688W	376-0251	8	156
L176	SW7689W	376-0252	8	156
L177	SW7690W	376-0253	8	156
L178	SW7691W	376-0254	8	156
L179	SW7692W	376-0255	8	156
L180	SW7693W	376-0256	8	156
L181	SW7694W	376-0257	8	156
L182	SW7695W	376-0258	8	156
L183	SW7696W	376-0259	8	156
L184	SW7697W	376-0260	8	156
L185	SW7698W	376-0261	8	156
L186	SW7699W	376-0262	8	156
L187	SW7700W	376-0263	8	156
L188	SW7701W	376-0264	8	156
L189	SW7702W	376-0265	8	156
L190	SW7703W	376-0266	8	156
L191	SW7704W	376-0267	8	156
L192	SW7705W	376-0268	8	156
L193	SW7706W	376-0269	8	156
L194	SW7707W	376-0270	8	156
L195	SW7708W	376-0271	8	156
L196	SW7709W	376-0272	8	156
L197	SW7710W	376-0273	8	156
L198	SW7711W	376-0274	8	156
L199	SW7712W	376-0275	8	156
L200	SW7713W	376-0276	8	156
L201	SW7714W	376-0277	8	156
L202	SW7715W	376-0278	8	156
L203	SW7716W	376-0279	8	156
L204	SW7717W	376-0280	8	156
L205	SW7718W	376-0281	8	156
L206	SW7719W	376-0282	8	156
L207	SW7720W	376-0283	8	156
L208	SW7721W	376-0284	8	156
L209	SW7722W	376-0285	8	156
L210	SW7723W	376-0286	8	156
L211	SW7724W	376-0287	8	156
L212	SW7725W	376-0288		



HOLE LEGEND

HOLE NO.	HOLE DIA.	TOL.
1125 to 1131	.125	.005
1132 to 1138	.1875	.005
1139 to 1145	.250	.005
1146 to 1152	.3125	.005

LOCATION

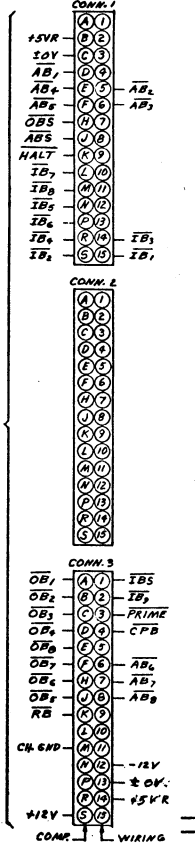
LOCATION	TYPE	W.L. NO.	FORM AND	FORM NO.	QTY
L1	SWITCH	376-0077	8	15	1
L2	SWITCH	376-0076	6	14	1
L3, L20, L21, L22, L24	SWITCH	376-0078	7	18	3
L4	SWITCH	376-0088	7	18	1
L5, L7	SWITCH	376-0074	8	16	2
L6, L8	SWITCH	376-0075	7	18	2
L9, L10, L11, L12, L13	SWITCH	376-0077	10	5	3
L14	SWITCH	376-0078	7	18	1
L15	SWITCH	376-0074	7	18	1
L16	SWITCH	376-0075	7	18	1
L17, L18	SWITCH	376-0076	7	18	2
L19	SWITCH	376-0077	7	18	1
L23	SWITCH	376-0078	7	18	1
L25	SWITCH	376-0079	7	18	1
L26, L27, L28	SWITCH	376-0080	7	18	3
L29	SWITCH	376-0081	7	18	1

COMPONENT

COMPONENT	SIZE/TYP	W.L. NO.	QTY
R12, 3, 4, 5, 6, 7, 8, 9, 10, 11, 12, 13, 14, 15, 16, 17, 18, 19, 20, 21, 22, 23, 24	1/4W 1/2W	370-3097	23
R10, 25, 26, 27, 28, 29, 30, 31, 32, 33, 34, 35, 36, 37, 38, 39, 40, 41, 42	1/4W 1/2W	370-3097	42
R40, 41, 42, 43, 44, 45, 46, 47, 48, 49, 50, 51, 52, 53, 54, 55, 56, 57, 58, 59, 60, 61, 62, 63, 64, 65, 66, 67, 68, 69, 70, 71, 72, 73, 74, 75, 76, 77, 78, 79, 80, 81, 82, 83, 84, 85, 86, 87, 88, 89, 90, 91, 92, 93, 94, 95, 96, 97, 98, 99, 100	1/4W 1/2W	370-3097	100
R33	1/4W 1/2W	370-3097	1
R34, R35	1/4W 1/2W	370-3097	2
C11	1024C CEL	301-1813	1
C22	1024C CEL	301-1814	1
C13, C14, C15, C16, C17, C18, C19, C20, C21, C23, C24, C25, C26, C27, C28, C29, C30, C31, C32, C33, C34, C35, C36, C37, C38, C39, C40, C41, C42, C43, C44, C45, C46, C47, C48, C49, C50, C51, C52, C53, C54, C55, C56, C57, C58, C59, C60, C61, C62, C63, C64, C65, C66, C67, C68, C69, C70, C71, C72, C73, C74, C75, C76, C77, C78, C79, C80, C81, C82, C83, C84, C85, C86, C87, C88, C89, C90, C91, C92, C93, C94, C95, C96, C97, C98, C99, C100	1024C CEL	301-1813	100
C1, C2, C3, C4, C5, C6, C7, C8, C9, C10, C11, C12, C13, C14, C15, C16, C17, C18, C19, C20, C21, C22, C23, C24, C25, C26, C27, C28, C29, C30, C31, C32, C33, C34, C35, C36, C37, C38, C39, C40, C41, C42, C43, C44, C45, C46, C47, C48, C49, C50, C51, C52, C53, C54, C55, C56, C57, C58, C59, C60, C61, C62, C63, C64, C65, C66, C67, C68, C69, C70, C71, C72, C73, C74, C75, C76, C77, C78, C79, C80, C81, C82, C83, C84, C85, C86, C87, C88, C89, C90, C91, C92, C93, C94, C95, C96, C97, C98, C99, C100	1024C CEL	301-1813	100
D1, D2	DIODE SIL	301-1007	2
XTAL	4.0MHZ	371-0011	1
J1	25 PIN D-Sub	371-1001	1
J2	25 PIN D-Sub	371-1001	1
J3	25 PIN D-Sub	371-1001	1
J4	25 PIN D-Sub	371-1001	1
J5	25 PIN D-Sub	371-1001	1
J6	25 PIN D-Sub	371-1001	1
J7	25 PIN D-Sub	371-1001	1
J8	25 PIN D-Sub	371-1001	1
J9	25 PIN D-Sub	371-1001	1
J10	25 PIN D-Sub	371-1001	1
J11	25 PIN D-Sub	371-1001	1
J12	25 PIN D-Sub	371-1001	1
J13	25 PIN D-Sub	371-1001	1
J14	25 PIN D-Sub	371-1001	1
J15	25 PIN D-Sub	371-1001	1
J16	25 PIN D-Sub	371-1001	1
J17	25 PIN D-Sub	371-1001	1
J18	25 PIN D-Sub	371-1001	1
J19	25 PIN D-Sub	371-1001	1
J20	25 PIN D-Sub	371-1001	1
J21	25 PIN D-Sub	371-1001	1
J22	25 PIN D-Sub	371-1001	1
J23	25 PIN D-Sub	371-1001	1
J24	25 PIN D-Sub	371-1001	1
J25	25 PIN D-Sub	371-1001	1
J26	25 PIN D-Sub	371-1001	1
J27	25 PIN D-Sub	371-1001	1
J28	25 PIN D-Sub	371-1001	1
J29	25 PIN D-Sub	371-1001	1
J30	25 PIN D-Sub	371-1001	1
J31	25 PIN D-Sub	371-1001	1
J32	25 PIN D-Sub	371-1001	1
J33	25 PIN D-Sub	371-1001	1
J34	25 PIN D-Sub	371-1001	1
J35	25 PIN D-Sub	371-1001	1
J36	25 PIN D-Sub	371-1001	1
J37	25 PIN D-Sub	371-1001	1
J38	25 PIN D-Sub	371-1001	1
J39	25 PIN D-Sub	371-1001	1
J40	25 PIN D-Sub	371-1001	1
J41	25 PIN D-Sub	371-1001	1
J42	25 PIN D-Sub	371-1001	1
J43	25 PIN D-Sub	371-1001	1
J44	25 PIN D-Sub	371-1001	1
J45	25 PIN D-Sub	371-1001	1
J46	25 PIN D-Sub	371-1001	1
J47	25 PIN D-Sub	371-1001	1
J48	25 PIN D-Sub	371-1001	1
J49	25 PIN D-Sub	371-1001	1
J50	25 PIN D-Sub	371-1001	1
J51	25 PIN D-Sub	371-1001	1
J52	25 PIN D-Sub	371-1001	1
J53	25 PIN D-Sub	371-1001	1
J54	25 PIN D-Sub	371-1001	1
J55	25 PIN D-Sub	371-1001	1
J56	25 PIN D-Sub	371-1001	1
J57	25 PIN D-Sub	371-1001	1
J58	25 PIN D-Sub	371-1001	1
J59	25 PIN D-Sub	371-1001	1
J60	25 PIN D-Sub	371-1001	1
J61	25 PIN D-Sub	371-1001	1
J62	25 PIN D-Sub	371-1001	1
J63	25 PIN D-Sub	371-1001	1
J64	25 PIN D-Sub	371-1001	1
J65	25 PIN D-Sub	371-1001	1
J66	25 PIN D-Sub	371-1001	1
J67	25 PIN D-Sub	371-1001	1
J68	25 PIN D-Sub	371-1001	1
J69	25 PIN D-Sub	371-1001	1
J70	25 PIN D-Sub	371-1001	1
J71	25 PIN D-Sub	371-1001	1
J72	25 PIN D-Sub	371-1001	1
J73	25 PIN D-Sub	371-1001	1
J74	25 PIN D-Sub	371-1001	1
J75	25 PIN D-Sub	371-1001	1
J76	25 PIN D-Sub	371-1001	1
J77	25 PIN D-Sub	371-1001	1
J78	25 PIN D-Sub	371-1001	1
J79	25 PIN D-Sub	371-1001	1
J80	25 PIN D-Sub	371-1001	1
J81	25 PIN D-Sub	371-1001	1
J82	25 PIN D-Sub	371-1001	1
J83	25 PIN D-Sub	371-1001	1
J84	25 PIN D-Sub	371-1001	1
J85	25 PIN D-Sub	371-1001	1
J86	25 PIN D-Sub	371-1001	1
J87	25 PIN D-Sub	371-1001	1
J88	25 PIN D-Sub	371-1001	1
J89	25 PIN D-Sub	371-1001	1
J90	25 PIN D-Sub	371-1001	1
J91	25 PIN D-Sub	371-1001	1
J92	25 PIN D-Sub	371-1001	1
J93	25 PIN D-Sub	371-1001	1
J94	25 PIN D-Sub	371-1001	1
J95	25 PIN D-Sub	371-1001	1
J96	25 PIN D-Sub	371-1001	1
J97	25 PIN D-Sub	371-1001	1
J98	25 PIN D-Sub	371-1001	1
J99	25 PIN D-Sub	371-1001	1
J100	25 PIN D-Sub	371-1001	1

NOTE:

MODEL	VARIATION
2207	JUMPER I10 BAUD (SWITCH 1) DO NOT LOAD INTERLOCK SW. 325-2223
2207A	LOAD INTERLOCK SW AT LOCATION SW1 THRU SW5



WANG PART NO. 2207

ITEM	QTY	NAME	MATERIAL	DATE	DESCRIPTION
1	1	WANG PART NO. 2207	WANG		TELECOMMUNICATIONS CONTROLLER

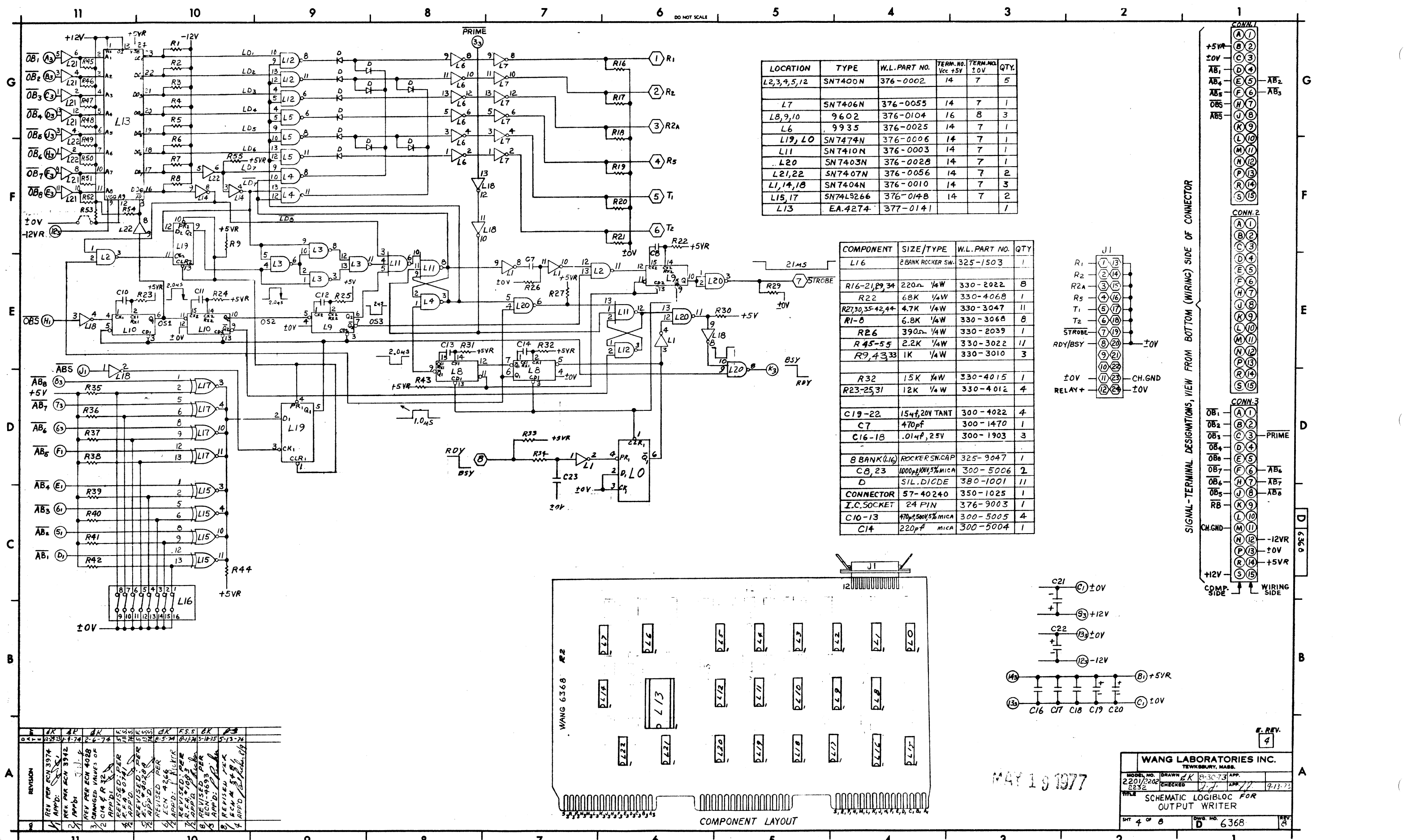
WANG

MODEL NO. 2207/2207A
 TITLE: SCHEMATIC LOGIC G362-1 TELECOMMUNICATIONS CONTROLLER

TOL. DC. AS NOTED
 JOB # 305 PRAC. 1/18
 JOB # 305 AND 1/18 (FMS/18)

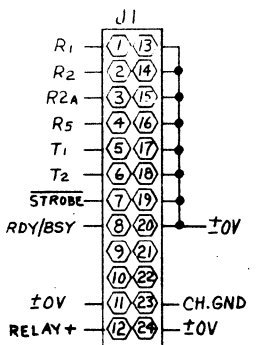
SCALE: 1/18

WANG PART NUMBER: E 6362-14B 2

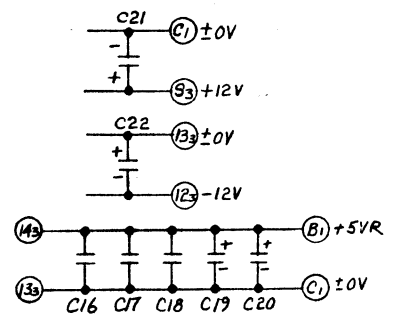
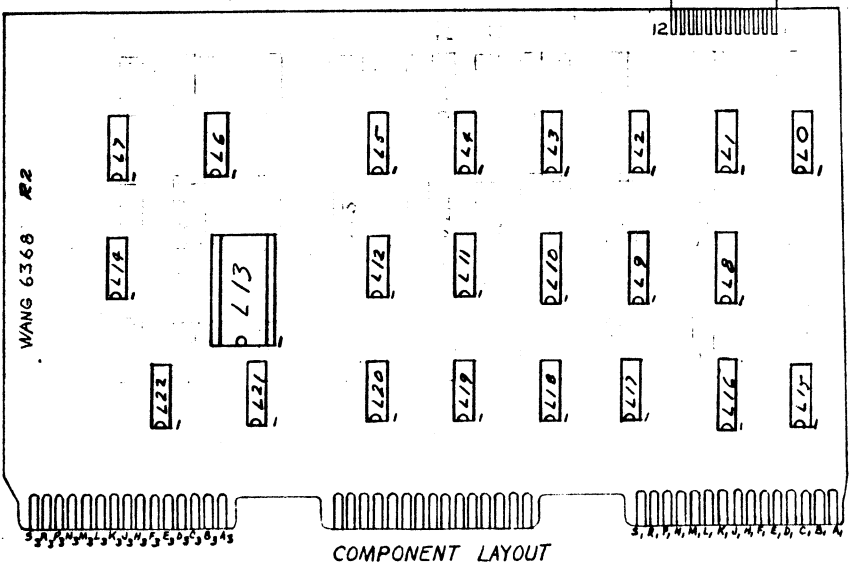
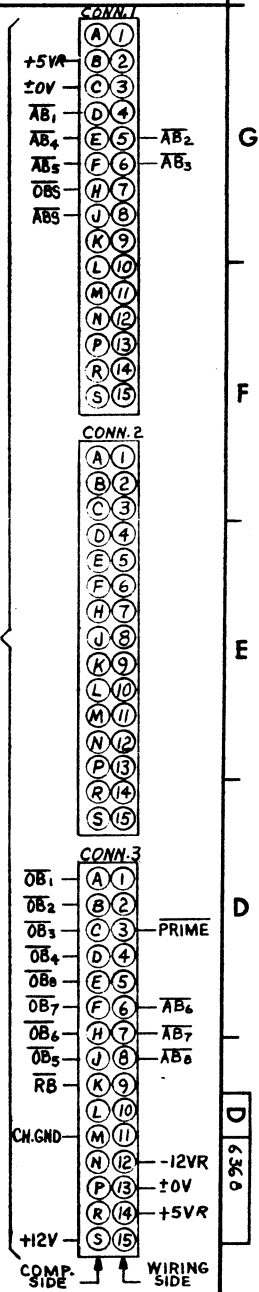


LOCATION	TYPE	W.L.PART NO.	TERM. NO. Vcc +5V	TERM. NO. ±0V	QTY.
L2,3,4,5,12	SN7400N	376-0002	14	7	5
L7	SN7406N	376-0055	14	7	1
L8,9,10	9602	376-0104	16	8	3
L6	9935	376-0025	14	7	1
L19, L0	SN7474N	376-0006	14	7	1
L11	SN7410N	376-0003	14	7	1
L20	SN7403N	376-0028	14	7	1
L21,22	SN7407N	376-0056	14	7	2
L1,14,18	SN7404N	376-0010	14	7	3
L15,17	SN74LS266	376-0148	14	7	2
L13	EA-4274	377-0141			1

COMPONENT	SIZE/TYPE	W.L.PART NO.	QTY.
L16	2 BANK ROCKER SW.	325-1503	1
R16-21,29,34	220Ω 1/4W	330-2022	8
R22	68K 1/4W	330-4068	1
R23,30,35,42,44	4.7K 1/4W	330-3047	11
R1-8	6.8K 1/4W	330-3068	8
R26	390Ω 1/4W	330-2039	1
R45-55	2.2K 1/4W	330-3022	11
R9,43,33	1K 1/4W	330-3010	3
R32	15K 1/4W	330-4015	1
R23-25,31	12K 1/4W	330-4012	4
C19-22	154μ, 20V TANT	300-4022	4
C7	470pF	300-1470	1
C16-18	.01μF, 25V	300-1903	3
8 BANK (L16)	ROCKER SW. CAP	325-9047	1
C8, 23	1000pF, 50V, 5% MICA	300-5006	2
D	SIL. DIG CODE	380-1001	11
CONNECTOR	57-40240	350-1025	1
I.C. SOCKET	24 PIN	376-9003	1
C10-13	470pF, 500V, 5% MICA	300-5005	4
C14	220pF mica	300-5004	1



SIGNAL-TERMINAL DESIGNATIONS, VIEW FROM BOTTOM (WIRING) SIDE OF CONNECTOR



REV.	DATE	BY	CHK.	DESCRIPTION
1	12-13-74	JK	ES	REVISED PER ECN 3974
2	1-7-74	JK	ES	REVISED PER ECN 3942
3	2-6-74	JK	ES	REVISED PER ECN 4028
4	5-23-74	JK	ES	REVISED PER ECN 4028
5	5-23-74	JK	ES	REVISED PER ECN 4028
6	5-23-74	JK	ES	REVISED PER ECN 4028
7	5-23-74	JK	ES	REVISED PER ECN 4028
8	5-23-74	JK	ES	REVISED PER ECN 4028
9	5-23-74	JK	ES	REVISED PER ECN 4028
10	5-23-74	JK	ES	REVISED PER ECN 4028
11	5-23-74	JK	ES	REVISED PER ECN 4028

MAY 19 1977

WANG LABORATORIES INC.
TEWKSBURY, MASS.

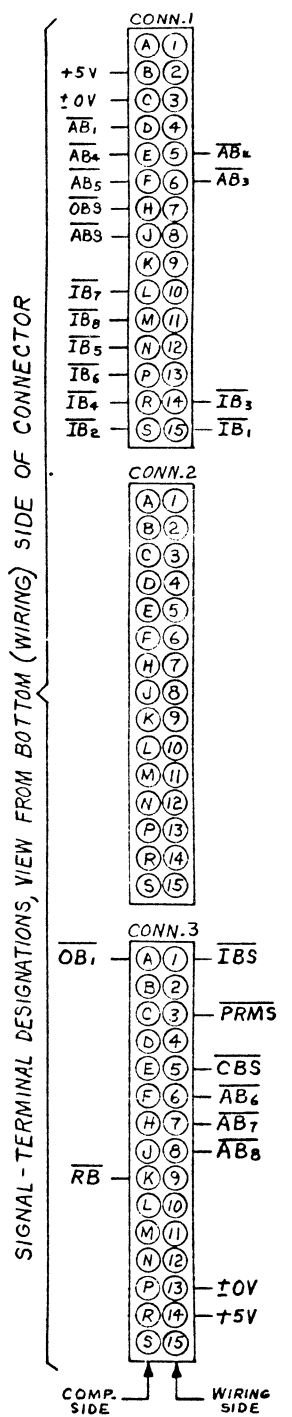
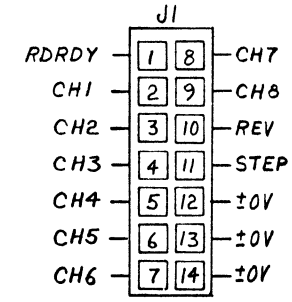
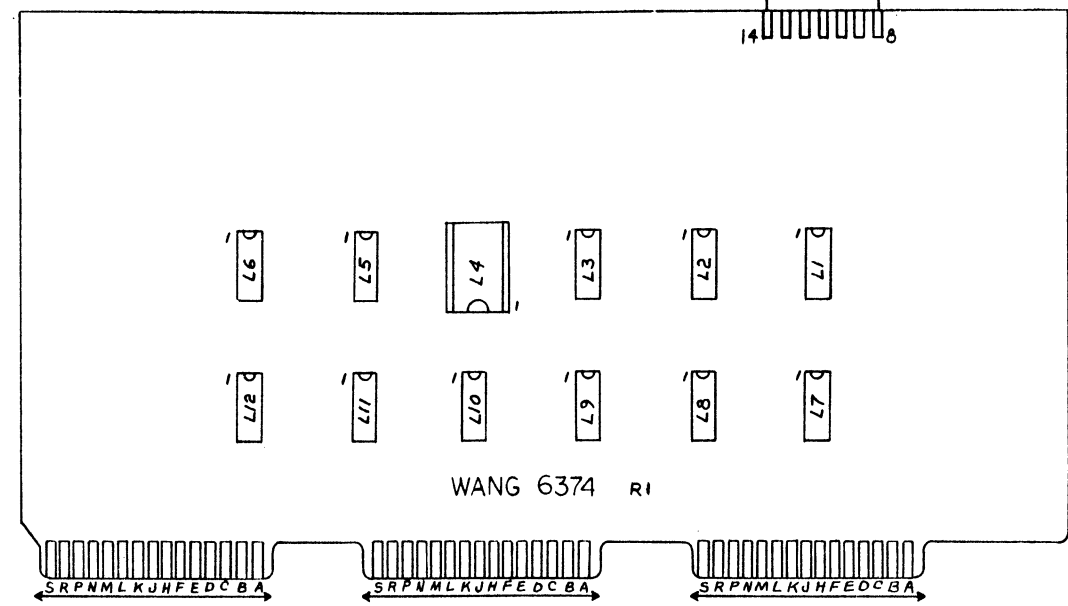
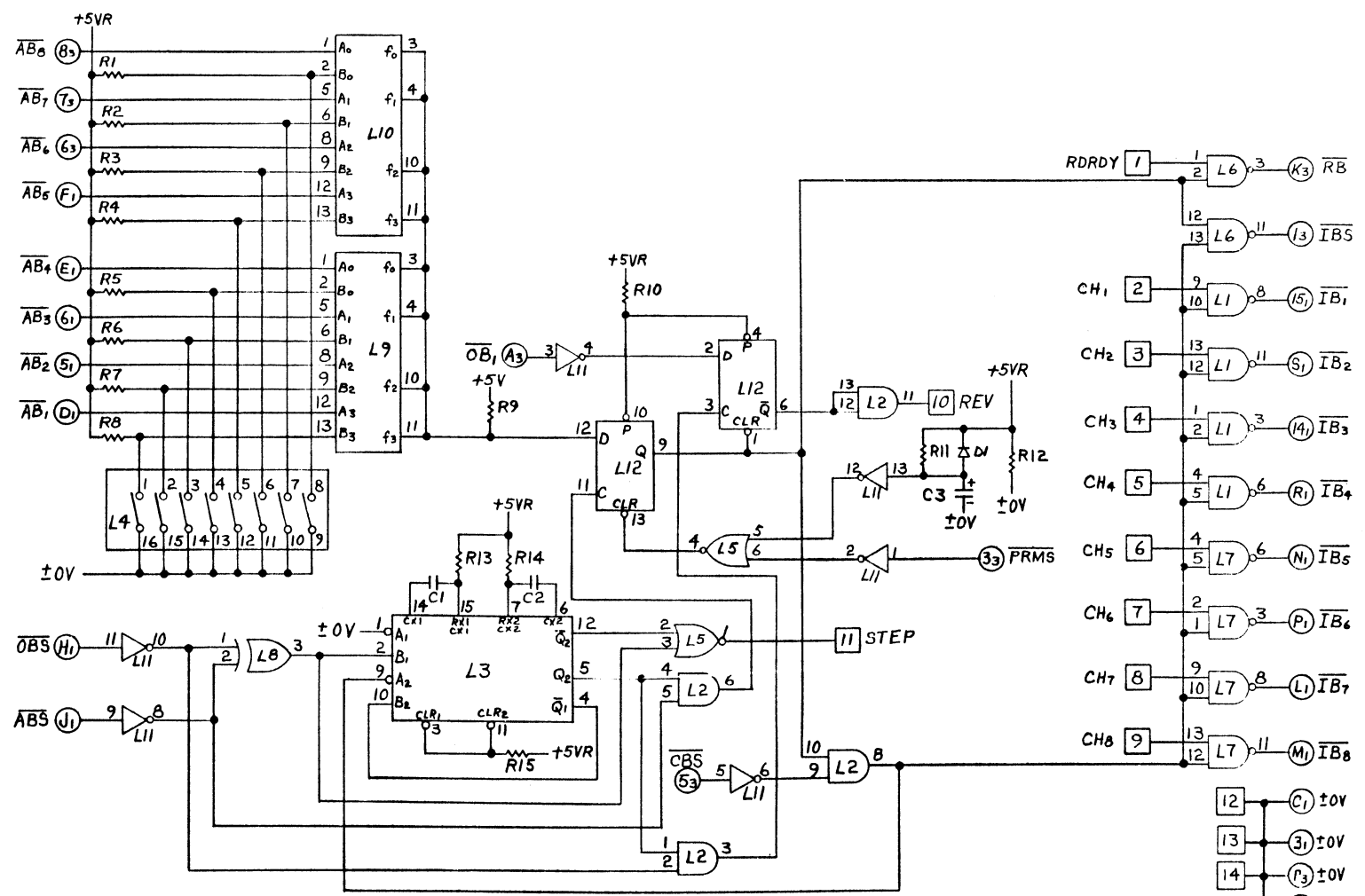
MODEL NO. 2201/2202
DRAWN BY JK
CHECKED BY JK
DATE 9-13-75

SCHEMATIC LOGIBLOC FOR
OUTPUT WRITER

SHT 4 OF 8
Dwg. No. 6368

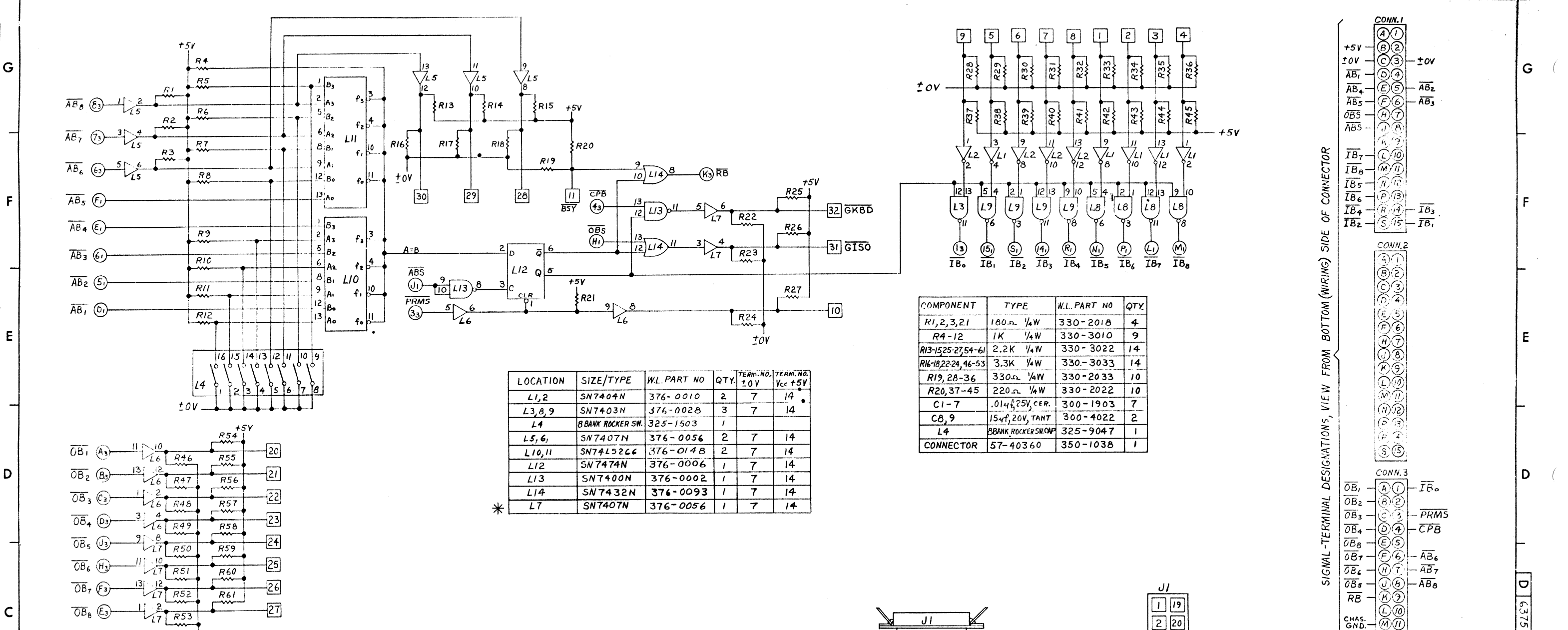
COMPONENT	SIZE/TYPE	WL. PART NO.	QTY.
R1-8,10,11,15	4.7K 1/4W	330-3047	11
R9	1.5K 1/4W	330-3015	1
R12	180Ω 1/4W	330-2018	1
R13,14	10K 1/4W	330-4010	2
C1,2	220pF CER.	300-1220	2
C3	8.2μF 20V TANT.	300-4028	1
C4-9	.05μF 20V TANT.	300-1900	6
C10,11	15μF 20V TANT.	300-4022	2
ROCKER SW. COVER	8BY.ROCKER SW. CAP	325-9047	1
D1	SIL. DIODE	380-1001	1
J1	CONN. 14 PIN CH	350-1024	1

LOCATION	TYPE	WL. PART NO.	TERM. NO. ±0V	TERM. NO. Vcc+5V	QTY.
L1,6,7	SN7403N	376-0028	7	14	3
L2	SN7408N	376-0081	7	14	1
L3	SN74123N	376-0080	8	16	1
L4	8BANK ROCKER SW	325-1503			1
L5	SN7402N	376-0016	7	14	1
L8	SN7486N	376-0036	7	14	1
L9,10	SN745L266	376-0148	7	14	2
L11	SN7414N	376-0139	7	14	1
L12	SN7474N	376-0006	7	14	1



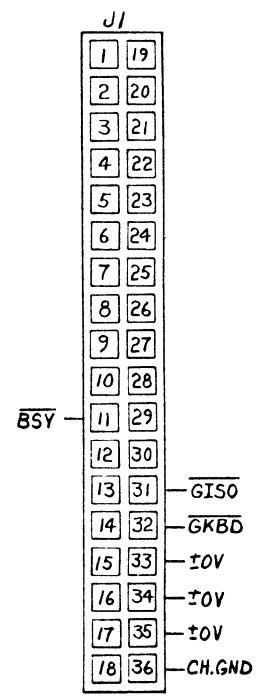
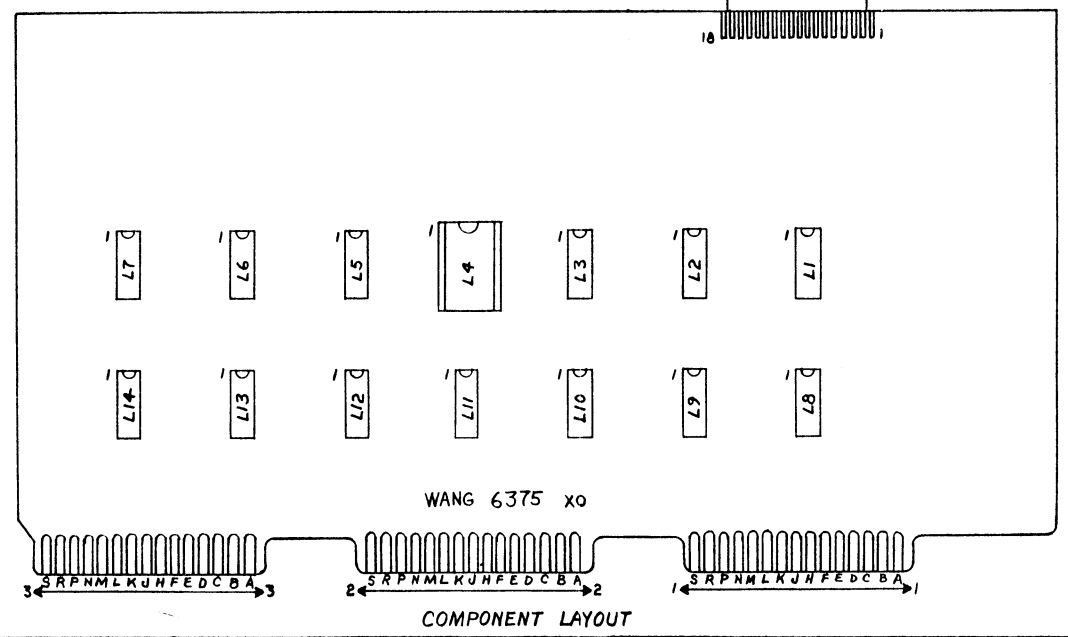
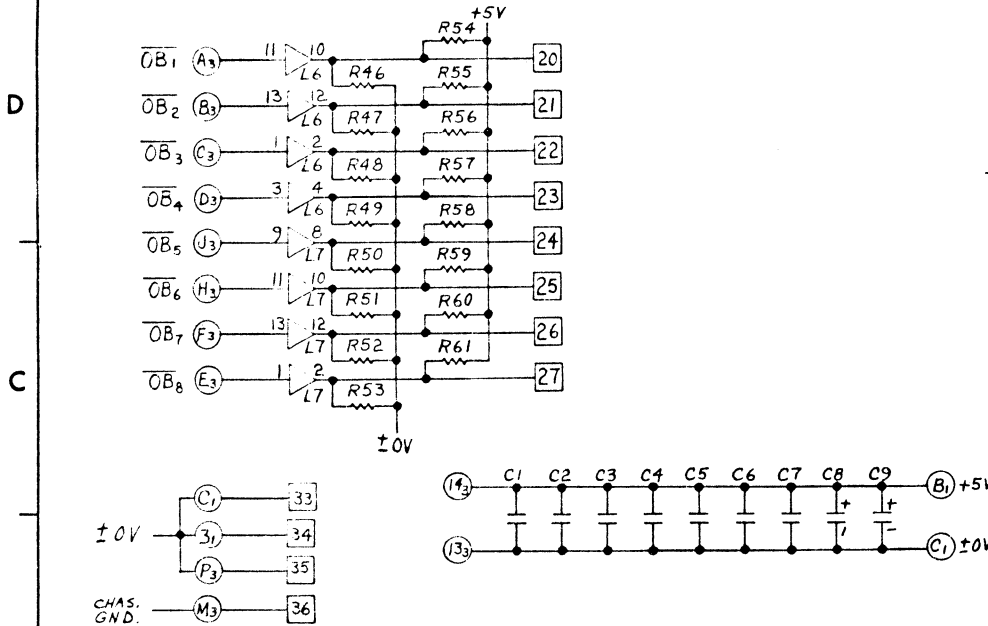
REVISION	DATE	BY	CHKD
1	REV PER EN 3742	APP'D: J. H. G.	

WANG LABORATORIES INC. TEWKSBURY, MASS.			
MODEL NO. 2203	DRAWN 8K	9-19-73	APP. 10-2-73
CHECKED	80H	APP. 3-0'H	
TITLE SCHEMATIC LOGIBLOC # 6374 HIGH SPEED PAPER TAPE READER			
SHT OF	DWG. NO. D 6374-1	REV.	



LOCATION	SIZE/TYPE	WL. PART NO	QTY.	TERM. NO. ±0V	TERM. NO. Vcc +5V
L1,2	SN7404N	376-0010	2	7	14
L3,8,9	SN7403N	376-0028	3	7	14
L4	8 BANK ROCKER SW.	325-1503	1		
L5,6	SN7407N	376-0056	2	7	14
L10,11	SN74LS266	376-0148	2	7	14
L12	SN7474N	376-0006	1	7	14
L13	SN7400N	376-0002	1	7	14
L14	SN7432N	376-0093	1	7	14
L7	SN7407N	376-0056	1	7	14

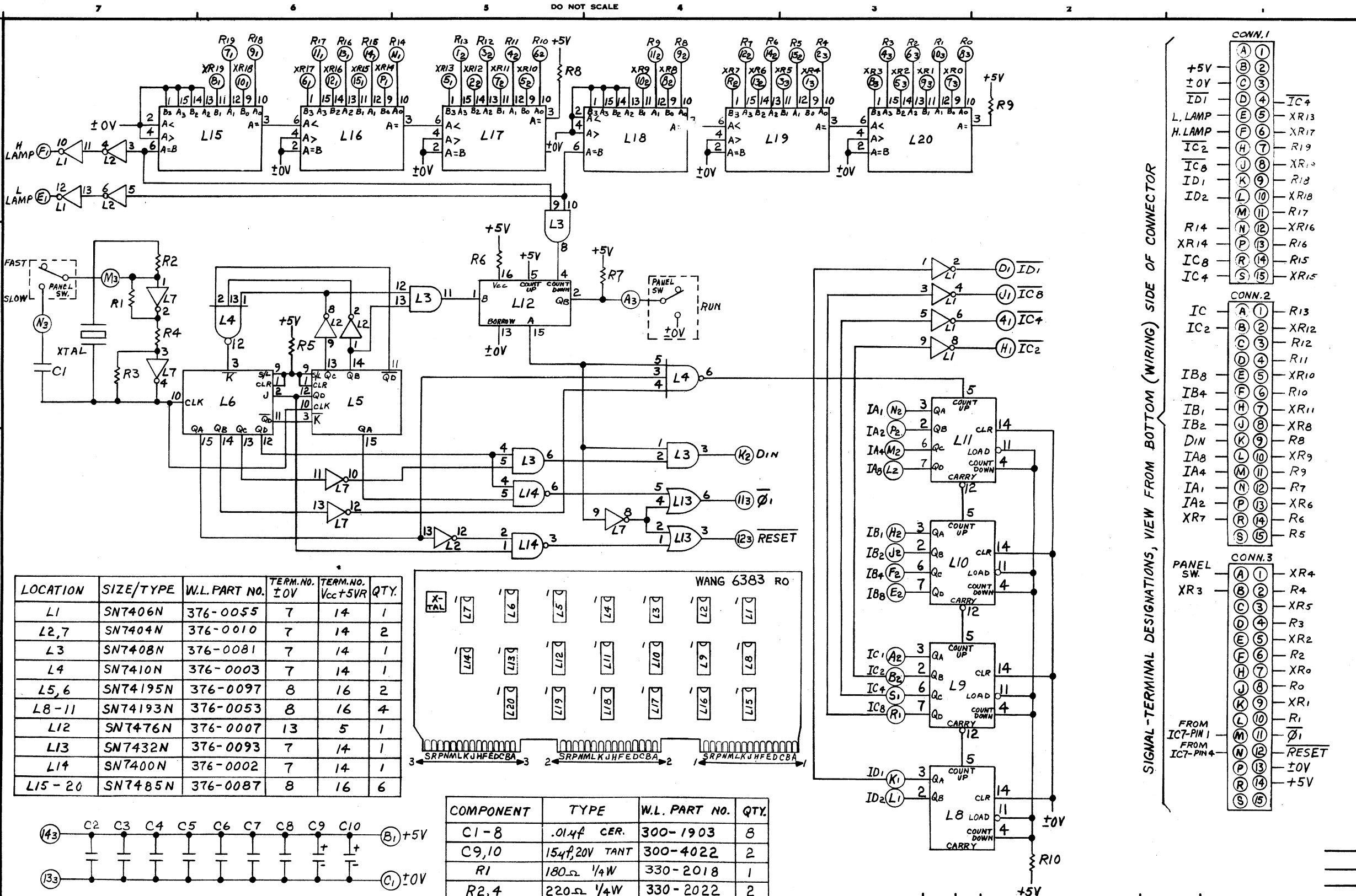
COMPONENT	TYPE	WL. PART NO	QTY.
R1,2,3,21	180Ω 1/4W	330-2018	4
R4-12	1K 1/4W	330-3010	9
R13-15,25-27,54-61	2.2K 1/4W	330-3022	14
R16-18,22,24,46-53	3.3K 1/4W	330-3033	14
R19,28-36	330Ω 1/4W	330-2033	10
R20,37-45	220Ω 1/4W	330-2022	10
C1-7	.01μF 25V CER.	300-1903	7
C8,9	15μF 20V TANT	300-4022	2
L4	8 BANK ROCKER SW	325-9047	1
CONNECTOR	57-40360	350-1038	1



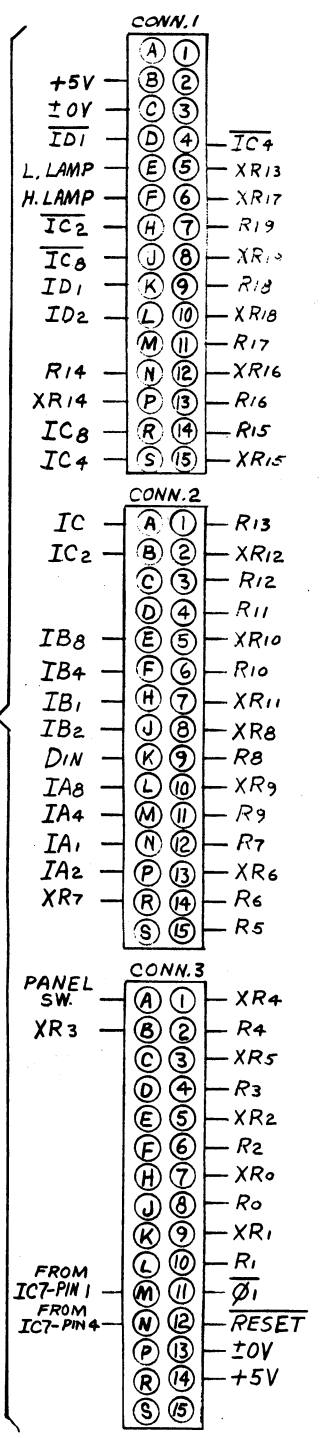
NOTES:
 1. 6375 FOR MODEL 2230 - FULL LOADED BOARD.
 * 2. 6375-14 FOR MODEL 2214 - DO NOT LOAD L7.

REVISION	DATE	BY	CHK
1	10-1-73	J.P.F.	
2			

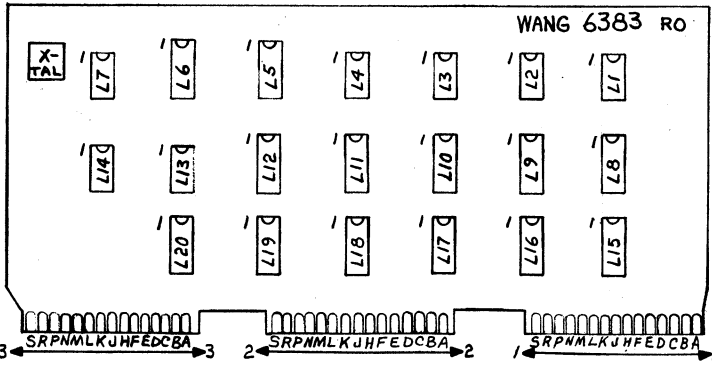
WANG LABORATORIES INC.
 TEWKSBURY, MASS.
 MODEL NO. 2214/2230 DRAWN *LK* 9-17-73 APP. *J.P.F.*
 CHECKED *J.P.F.* 11-15-73 APP. *J.P.F.*
 TITLE: SCHEMATIC LOGIBLOC #6375/6375-14 DISK CONTROL
 SHT. OF 1 DWG. NO. 6375-1 REV. 1



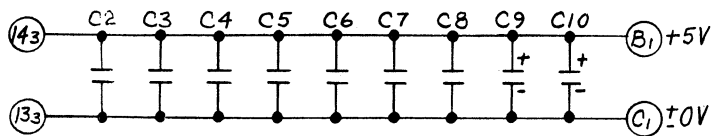
SIGNAL-TERMINAL DESIGNATIONS, VIEW FROM BOTTOM (WIRING) SIDE OF CONNECTOR



LOCATION	SIZE/TYPE	W.L. PART NO.	TERM. NO. ±0V	TERM. NO. Vcc +5V	QTY.
L1	SN7406N	376-0055	7	14	1
L2,7	SN7404N	376-0010	7	14	2
L3	SN7408N	376-0081	7	14	1
L4	SN7410N	376-0003	7	14	1
L5,6	SN74195N	376-0097	8	16	2
L8-11	SN74193N	376-0053	8	16	4
L12	SN7476N	376-0007	13	5	1
L13	SN7432N	376-0093	7	14	1
L14	SN7400N	376-0002	7	14	1
L15-20	SN7485N	376-0087	8	16	6

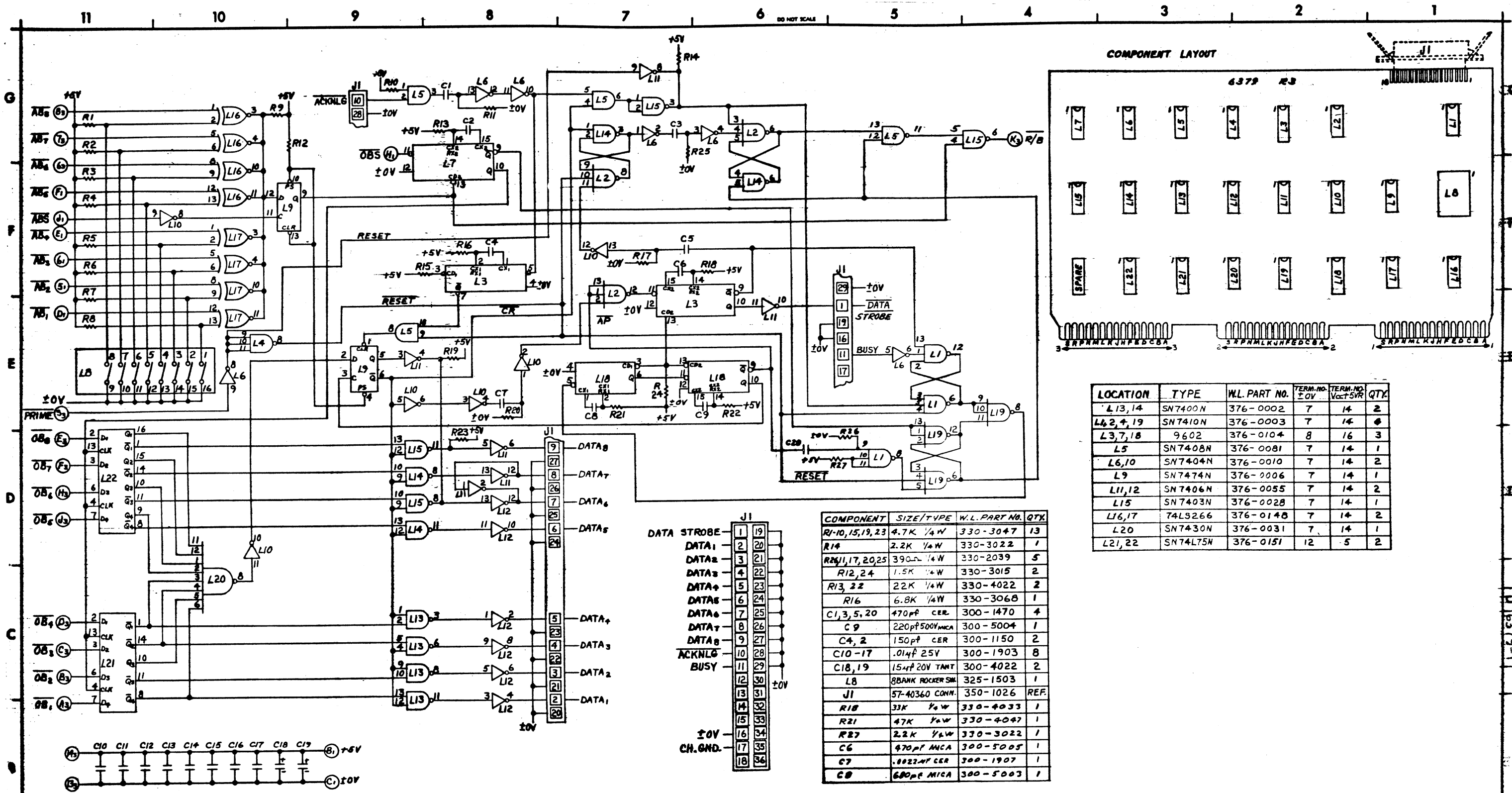


COMPONENT	TYPE	W.L. PART NO.	QTY.
C1-8	.014f CER.	300-1903	8
C9,10	154f, 20V TANT	300-4022	2
R1	180Ω 1/4W	330-2018	1
R2,4	220Ω 1/4W	330-2022	2
R3	1.8K 1/4W	330-3018	1
R5,10	1K 1/4W	330-3010	2
R6,7	4.7K 1/4W	330-3047	2
R8,9	10K 1/4W	330-4010	2
XTAL	10MC OSCIL.	321-0008	1



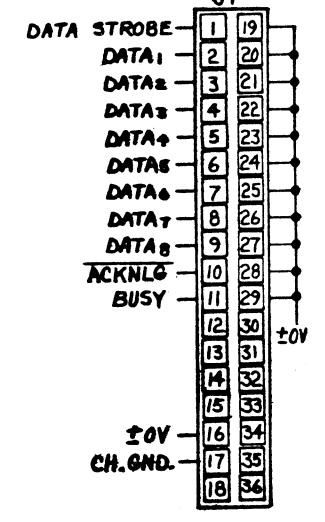
NO.	REVISION

IDENT	QTY	NAME	MATERIAL	DESCRIPTION
 WANG LABORATORIES, INC. TEWKSBURY, MASS. U. S. A.				
MODEL No. 2200		W.O. No.	SCALE	SHEET OF
TITLE SCHEMATIC LOGIBLOC # 6383 MINI-ROM TESTER				
PART NUMBER		REV	SIZE	DRAWING NUMBER
			C	6383-1

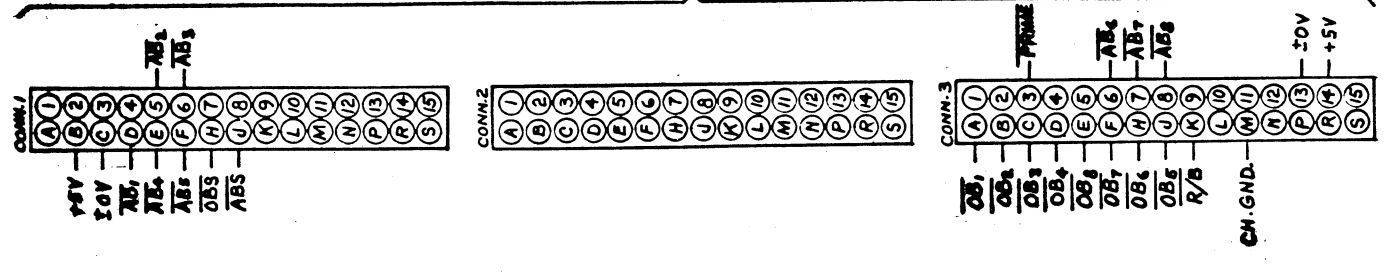


LOCATION	TYPE	W.L. PART NO.	TERM. NO. 10V	TERM. NO. VOLT 5V	QTY
L13,14	SN7400N	376-0002	7	14	2
L4,2,19	SN7410N	376-0003	7	14	4
L3,7,18	9602	376-0104	8	16	3
L5	SN7408N	376-0081	7	14	1
L6,10	SN7404N	376-0010	7	14	2
L9	SN7474N	376-0006	7	14	1
L11,12	SN7406N	376-0055	7	14	2
L15	SN7403N	376-0028	7	14	1
L16,17	74LS266	376-0148	7	14	2
L20	SN7430N	376-0031	7	14	1
L21,22	SN74L75N	376-0151	12	5	2

COMPONENT	SIZE/TYPE	W.L. PART NO.	QTY
R1-10,15,19,23	4.7K 1/4W	330-3047	13
R14	2.2K 1/4W	330-3022	1
R20,17,20,25	390Ω 1/4W	330-2039	5
R12,24	1.5K 1/4W	330-3015	2
R13,22	22K 1/4W	330-4022	2
R16	6.8K 1/4W	330-3068	1
C1,3,5,20	470pF CER	300-1470	4
C9	220pF 500V MCA	300-5004	1
C4,2	150pF CER	300-1150	2
C10-17	.01μF 25V	300-1903	8
C18,19	15μF 20V TANT	300-4022	2
L8	8BANK ROCKER SW	325-1503	1
J1	57-40360 CONN.	350-1026	REF.
R18	33K 1/4W	330-4033	1
R21	47K 1/4W	330-4047	1
R27	2.2K 1/4W	330-3022	1
C6	470pF MCA	300-5005	1
C7	.0022μF CER	300-1907	1
C8	680pF MICA	300-5003	1

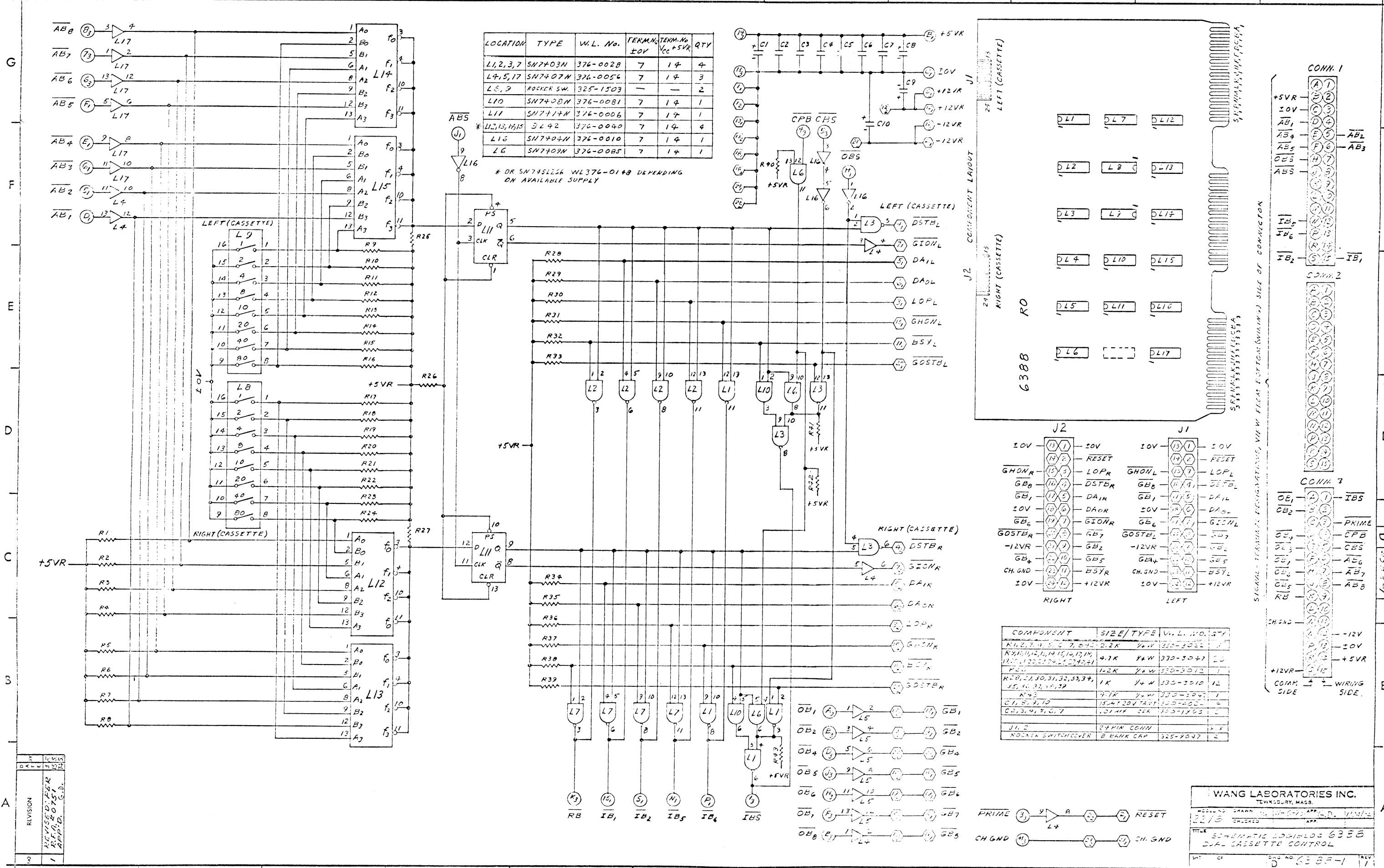


SIGNAL-TERMINAL DESIGNATIONS, VIEW FROM BOTTOM (WIRING) SIDE OF CONNECTOR



REV.	DATE	BY	REASON
1	10-24-73	K	INITIAL REV. 3163
2	11-16-74	K	CHANGED LOGIC AND WIRING
3	11-16-74	K	CHANGED TO 74LS266
4	11-16-74	K	REV. PER ECN 3573
5	11-16-74	K	REVISED PER ECN 3573
6	11-16-74	K	REVISED PER ECN 3573
7	11-16-74	K	REVISED PER ECN 3573
8	11-16-74	K	REVISED PER ECN 3573
9	11-16-74	K	REVISED PER ECN 3573
10	11-16-74	K	REVISED PER ECN 3573

WANG LABORATORIES INC.
 Tewksbury, Mass.
 2221/2231
 2241/2261
 DRAWN BY K
 10-24-73
 11-16-74
 1-4-74
 SCHEMATIC LOGIBLOC # 6379
 HIGH SPEED LINE PRINTER
 D 6379-1



LOCATION	TYPE	W.L. No.	TERM. No.	TERM. No. Vcc +5VR	QTY
L1,2,3,7	SN7403N	376-0028	7	14	4
L4,5,17	SN7407N	376-0056	7	14	3
L5,9	ROCKER SW	325-1503	-	-	2
L10	SN7408N	376-0081	7	14	1
L11	SN7414N	376-0006	7	14	1
*L12,13,15,15	5242	376-0040	7	14	4
L16	SN7404N	376-0010	7	14	1
L6	SN7409N	376-0085	7	14	1

* OR SN745226 WL376-0148 DEPENDING ON AVAILABLE SUPPLY

COMPONENT	SIZE/TYPER	W.L. NO.	QTY	
K1,2,3,4,5,6,7,8,15	0.2K 1/4W	330-3032	7	
R9,10,11,12,13,14,15,16,17,18,19,20,21,22,23,24,25,26,27,28,29,30,31,32,33,34,35,36,37,38,39	4.7K 1/4W	330-3047	20	
R2	1.2K 1/4W	330-3072	1	
R28,29,30,31,32,33,34,35,36,37,38,39	1K 1/4W	330-3010	12	
L1,2,3,4,5,6,7,8,9,10,11,12,13,14,15,16,17,18,19,20,21,22,23,24,25,26,27,28,29,30,31,32,33,34,35,36,37,38,39	4.7K 1/4W	330-3047	1	
C1,2,3,4,5,6,7	1500PF 20V TANT	330-4002	7	
C8,9,10,11,12,13,14,15,16,17,18,19,20,21,22,23,24,25,26,27,28,29,30,31,32,33,34,35,36,37,38,39	0.01UF 50V	330-1703	5	
J1,2	24 PIN COHN		2	
	ROCKER SWITCHCOVER	8 BANK CAP	325-9097	2

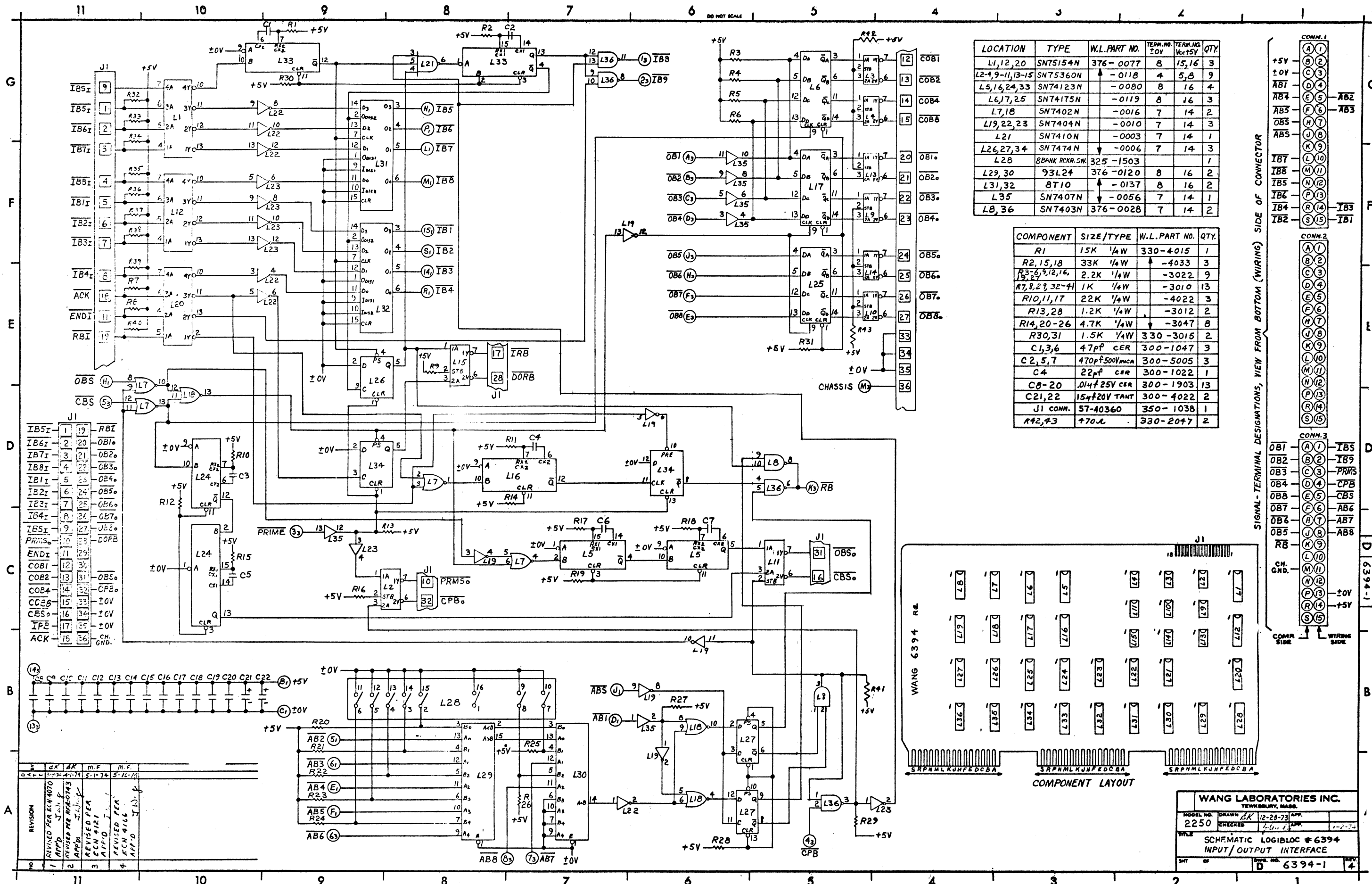
WANG LABORATORIES INC.
NEWTON, MASS.

MODEL NO. 6388-1
REV. 1/11/73

SCHEMATIC LOGIC LOG 6388
DUAL CASSETTE CONTROL

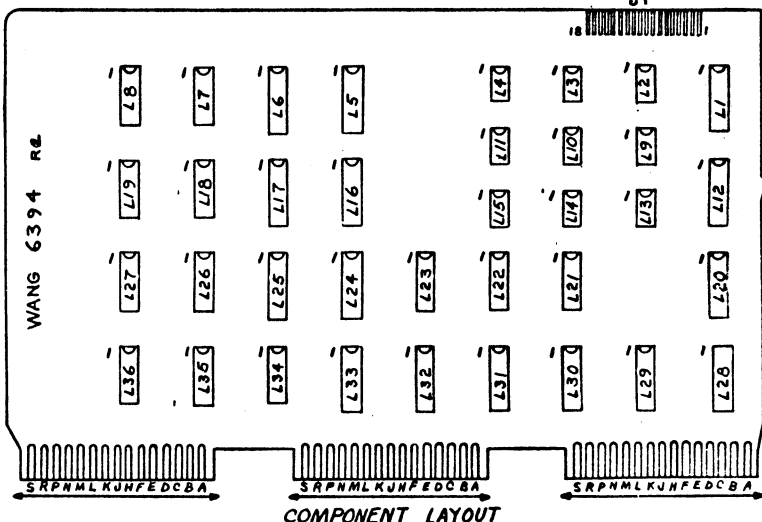
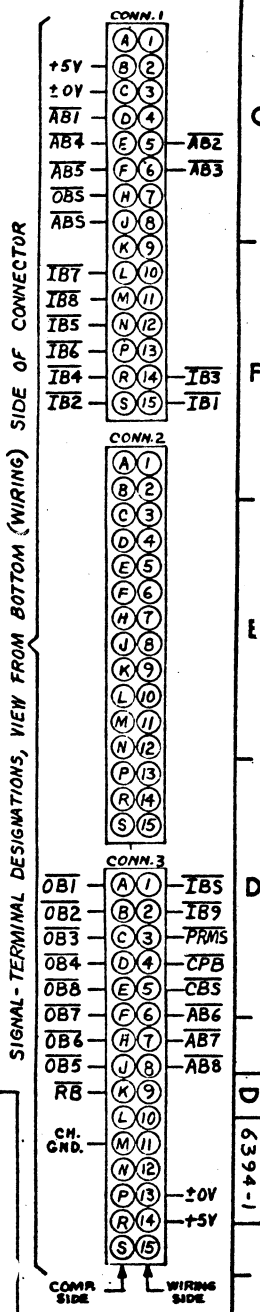
DATE: 1/11/73

REV.	REVISION	DATE	BY	CHKD.
1	REVISED TO REFLECT CHANGES TO APP'D. C.D.	1/11/73		



LOCATION	TYPE	W.L.PART NO.	TERM. NO. ±0V	TERM. NO. Wc±5V	QTY.
L1,12,20	SN75154N	376-0077	8	15,16	3
L2-4,9-11,13-15	SN75360N	-0118	4	5,8	9
L5,16,24,33	SN74123N	-0080	8	16	4
L6,17,25	SN74175N	-0119	8	16	3
L7,18	SN7402N	-0016	7	14	2
L19,22,23	SN7404N	-0010	7	14	3
L21	SN7410N	-0003	7	14	1
L26,27,34	SN7474N	-0006	7	14	3
L28	8BANK RRKR.5M	325-1503			1
L29,30	93L24	376-0120	8	16	2
L31,32	8T10	-0137	8	16	2
L35	SN7407N	-0056	7	14	1
L8,36	SN7403N	376-0028	7	14	2

COMPONENT	SIZE/TYPER	W.L.PART NO.	QTY.
R1	15K 1/4W	330-4015	1
R2,15,18	33K 1/4W	-4033	3
R3,6,9,12,16	2.2K 1/4W	-3022	9
R7,8,29,32-41	1K 1/4W	-3010	13
R10,11,17	22K 1/4W	-4022	3
R13,28	1.2K 1/4W	-3012	2
R14,20-26	4.7K 1/4W	-3047	8
R30,31	1.5K 1/4W	330-3015	2
C1,3,6	47pF CER	300-1047	3
C2,5,7	470pF 500Vmcra	300-5005	3
C4	22pF CER	300-1022	1
C8-20	.0147 25V CER	300-1903	13
C21,22	1547 20V TANT	300-4022	2
J1 CONN.	57-40360	350-1038	1
R42,43	470Ω	330-2047	2

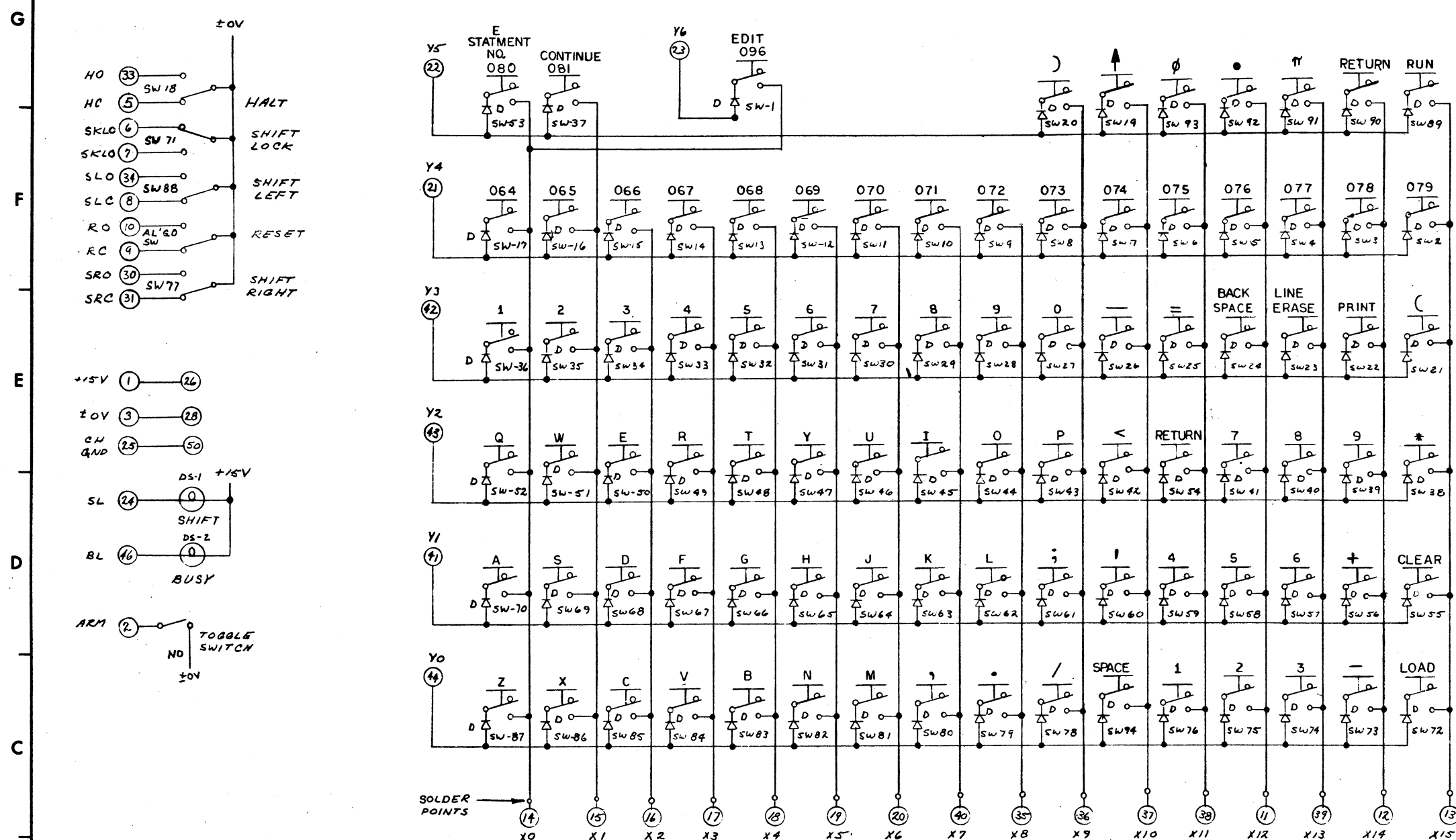


WANG LABORATORIES INC.			
TEWKSBURY, MASS.			
MODEL NO.	DRAWN	DATE	APP.
2250	AK	12-28-73	
CHECKED			
TITLE: SCHEMATIC LOGIBLOC #6394			
INPUT/OUTPUT INTERFACE			
SHT	OF	DATE	REV.
1		6394-1	4

REVISION	BY	DATE	DESCRIPTION
1	AK	12-28-73	REVISED PER ECH 4010
2	AK	1-11-74	REVISED PER RHC-0743
3	AK	5-17-74	REVISED PER ECH 4121
4	AK	5-17-74	REVISED PER ECH 4166

THIS DOCUMENT IS THE PROPERTY OF WANG LABORATORIES, INC. AND SHALL NOT BE REPRODUCED OR COPIED, OR USED AS A BASIS FOR THE MANUFACTURE OR SALE OF APPARATUS OR DEVICES WITHOUT PERMISSION.

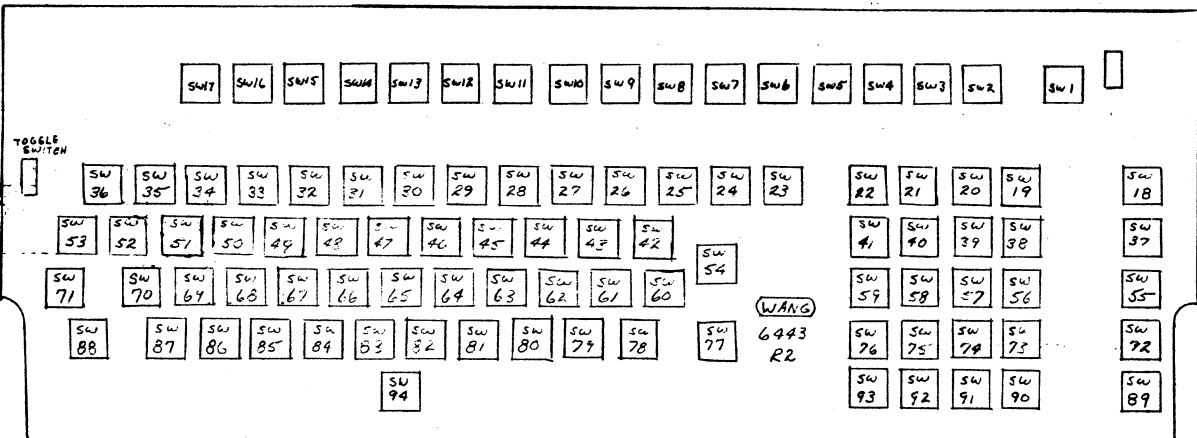
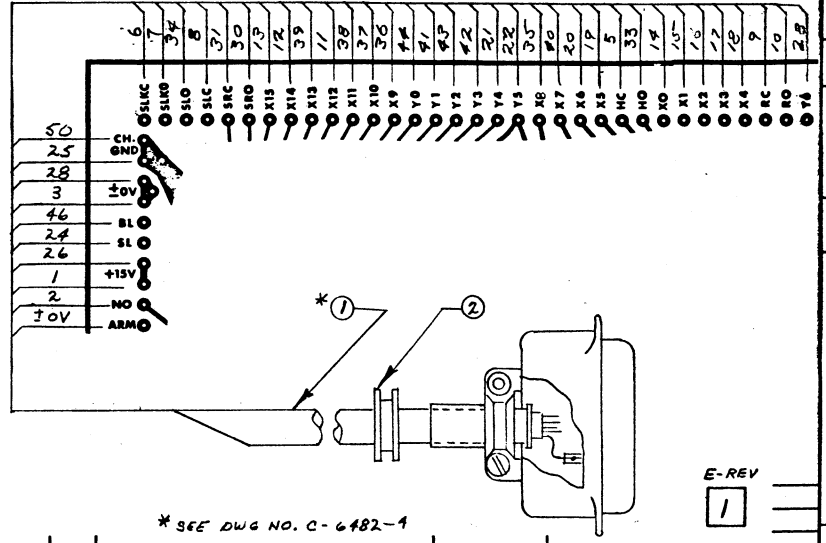
HOLE LEGEND		
DRILLED OR PUNCHED HOLE	HOLE DIA.	TOL.
	0135 to .125	± .003
	.126 to .250	± .004
	.251 to .500	± .005
IDENT.	DESCRIPTION	QTY.
A		



SIGNAL	WIRE NO.	PIN NO.
+15V	1	1
		2
±0V	3	3
		4
HC	5	5
SLKO	6	6
SLC	7	7
SLC	8	8
RC	9	9
RO	10	10
X12	11	11
X14	12	12
X15	13	13
X0	14	14
X2	16	16
X4	18	18
X5	19	19
X6	20	20
Y4	21	21
Y5	22	22
Y6	23	23
SL	24	24
CH GND	25	25

SIGNAL	WIRE NO.	PIN NO.
+15V	26	26
		27
±0V	28	28
		29
SRO	30	30
SRC	31	31
		32
HO	33	33
SLO	34	34
X8	35	35
X9	36	36
X10	37	37
X11	38	38
X13	39	39
X7	40	40
Y1	41	41
Y3	42	42
Y2	43	43
Y0	44	44
		45
BL	46	46
ARM	47	47
NO	48	48
		49
CH GND	50	50

ITEM	UL PT NO.
D	380-1001
SW1-17	325-2413
SW18,71,78	325-2407
SW19,70,72-74, 79-82,89-93	225-2407
TOGGLE SW	325-0020
AL'GO SW	325-0026
DS1,2	310-0004
* 1	220-2650-9
2	654-1205

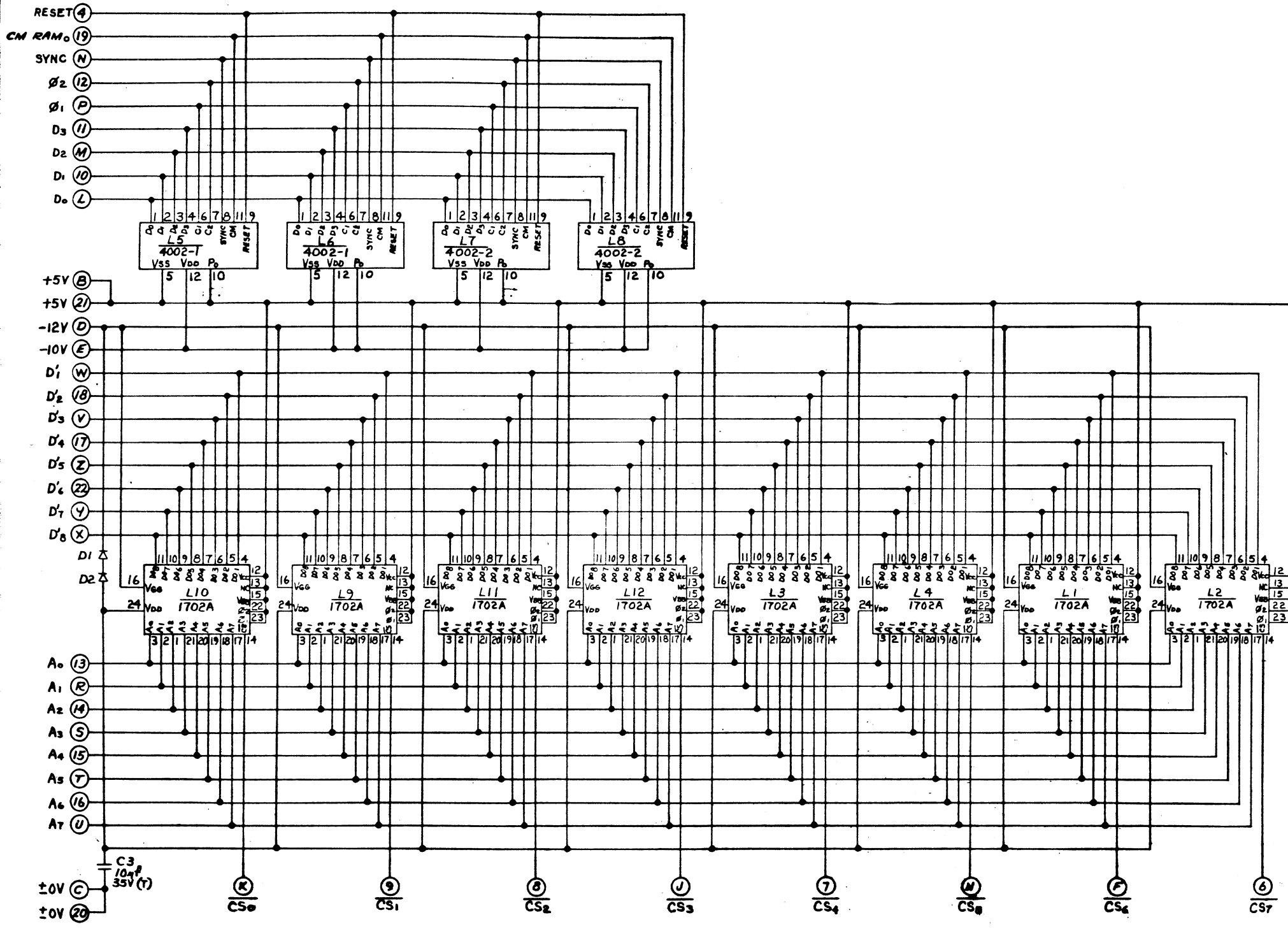


REVISION	DATE	BY	CHK	APP'D.
1	11-17-74	WANG		
2	11-21-74	WANG		
3	12-20-74	WANG		
4	1-12-75	WANG		
5	2-25-75	WANG		

WANG PART NO.	ITEM	QTY.	NAME	MATERIAL	DESCRIPTION
2223			WANG LABORATORIES, INC. TEBURNEY, MASS. U.S.A.		
	FIRST USED ON	ASSY USED ON	MODEL NO. 2223		
			SEE ENGR SPECIFICATIONS		
			TITLE SCHEMATIC FOR 2223		
			No. KEYS, HBD		
			TOL. EX. AS NOTED		
			XX ± .010 FRAC. ± 1/64		
			XXX ± .005 ANG. ± 1'30" FINISH		
			SCALE 1/8" = 1"		
			SHT # OF 7		
			210-6443	D	6443
			WANG PART NUMBER	SIZE	DRAWING NUMBER
					REV.

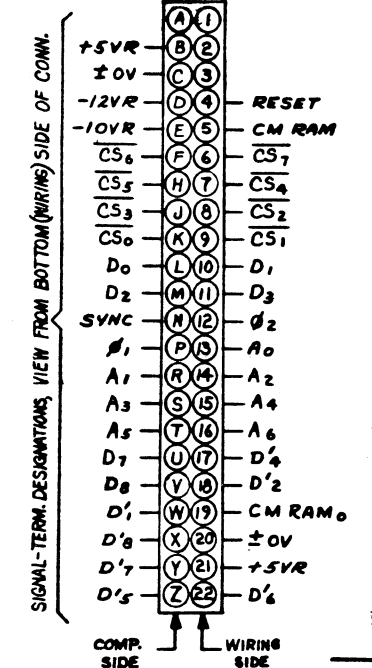
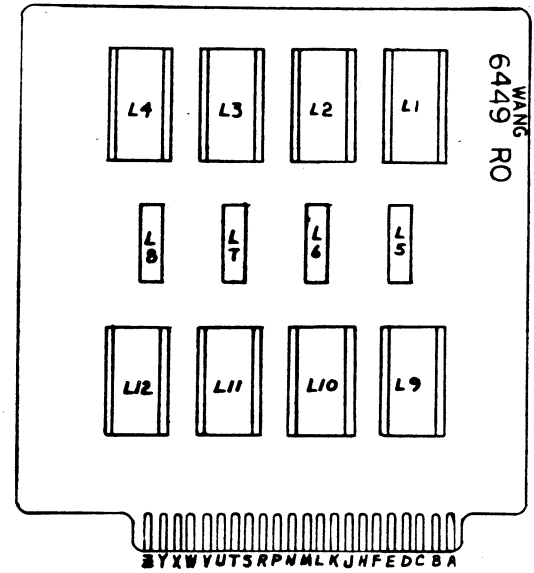
THIS DOCUMENT IS THE PROPERTY OF WANG LABORATORIES, INC. AND SHALL NOT BE REPRODUCED OR COPIED, OR USED AS A BASIS FOR THE MANUFACTURE OR SALE OF APPARATUS OR DEVICES WITHOUT PERMISSION.

HOLE LEGEND		
DRILLED OR PUNCHED	HOLE DIA.	TOL.
DRILLED OR PUNCHED HOLE	.0125 to .125	±.002
TOLERANCES	.126 to .250	±.003
	.251 to .500	±.004



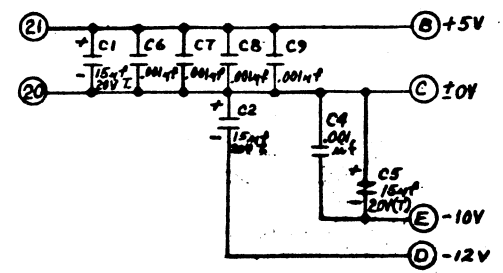
LOCATION	W.L. PART NO.	TRAIL. NO. ±0V	TRAIL. NO. Vcc+5V
L1-4, 9-12	377-0009		12
L5, 6	377-0205		
L7, 8	377-0264		

COMPONENT	W.L. PART NO.
C1, 2, 5	300-4022
C4, 6-9	300-1906
C3	300-4032
D1, 2	380-4000

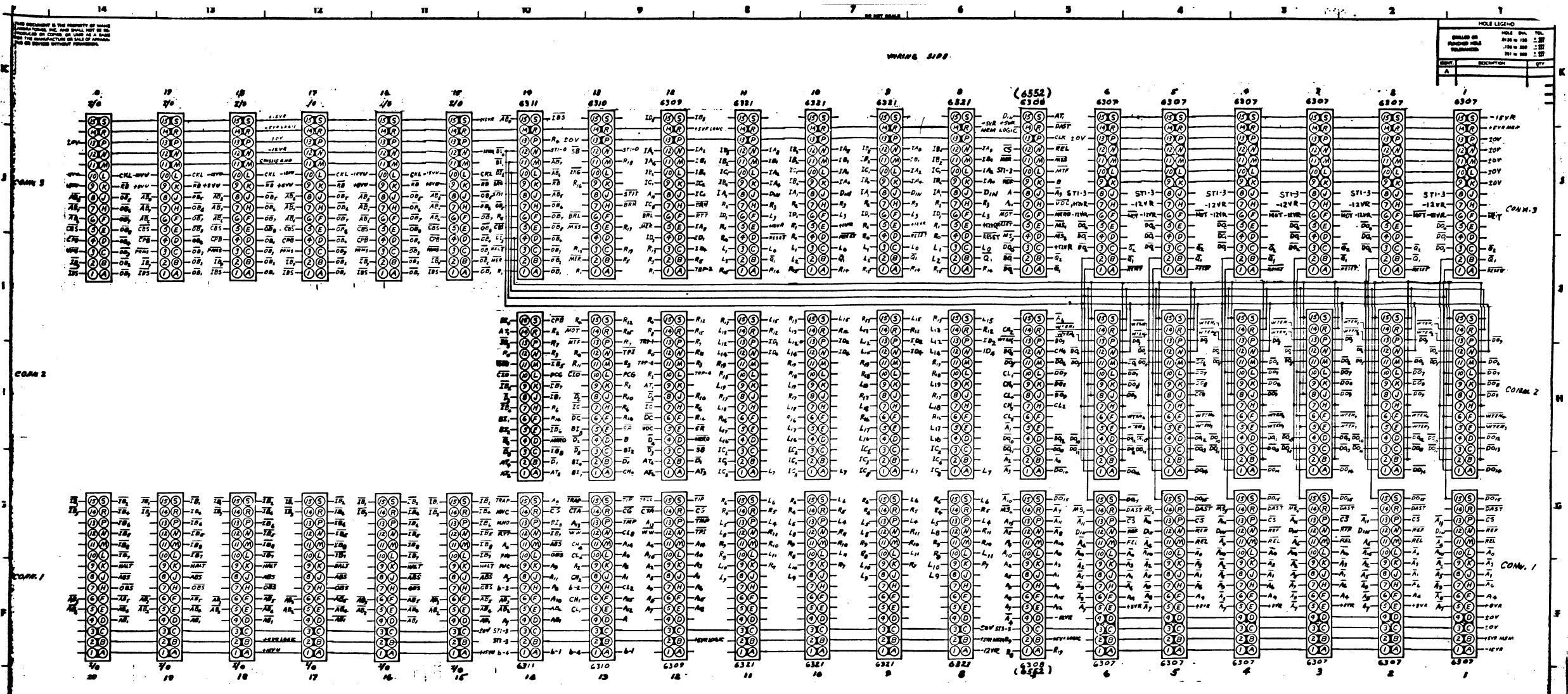


REV.	BY	DATE
1	AK	1-6-73
2	AK	1-6-73

CHANGED PER APP'D BY
CHANGED PER APP'D BY
CHANGED PER APP'D BY



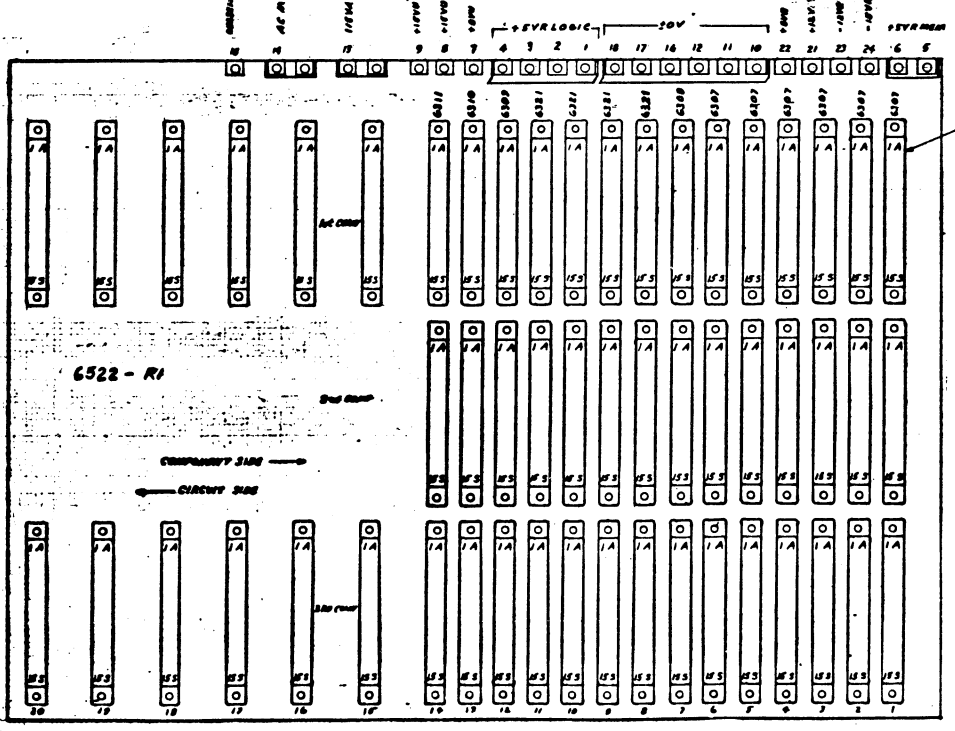
WANG PART NO.	ITEM	QTY.	NAME	MATERIAL	DESCRIPTION												
2234A																	
2244A																	
<table border="1"> <thead> <tr> <th>BY</th> <th>DATE</th> <th>APPROVED BY</th> <th>DATE</th> </tr> </thead> <tbody> <tr> <td>DOWN</td> <td>10-10-74</td> <td>E ENGR</td> <td>11/74</td> </tr> <tr> <td>CHK</td> <td>11-11-74</td> <td>M ENGR</td> <td></td> </tr> </tbody> </table>						BY	DATE	APPROVED BY	DATE	DOWN	10-10-74	E ENGR	11/74	CHK	11-11-74	M ENGR	
BY	DATE	APPROVED BY	DATE														
DOWN	10-10-74	E ENGR	11/74														
CHK	11-11-74	M ENGR															
<table border="1"> <thead> <tr> <th colspan="2">TITLE</th> <th colspan="2">SCHEMATIC LOGIBLOC # 6449</th> </tr> <tr> <th colspan="2">MEMORY BOARD</th> <th colspan="2"></th> </tr> </thead> <tbody> <tr> <td>210-6449</td> <td>D</td> <td>6449</td> <td>0</td> </tr> </tbody> </table>						TITLE		SCHEMATIC LOGIBLOC # 6449		MEMORY BOARD				210-6449	D	6449	0
TITLE		SCHEMATIC LOGIBLOC # 6449															
MEMORY BOARD																	
210-6449	D	6449	0														



HOLE LEGEND

NO.	DESCRIPTION	QTY.
1	Ø 1/8" DIA.	1
2	Ø 1/16" DIA.	1
3	Ø 1/32" DIA.	1

1	REVISED PER	DATE	BY
2	REVISED PER	DATE	BY
3	REVISED PER	DATE	BY
4	REVISED PER	DATE	BY

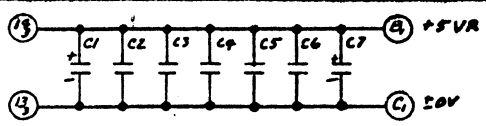
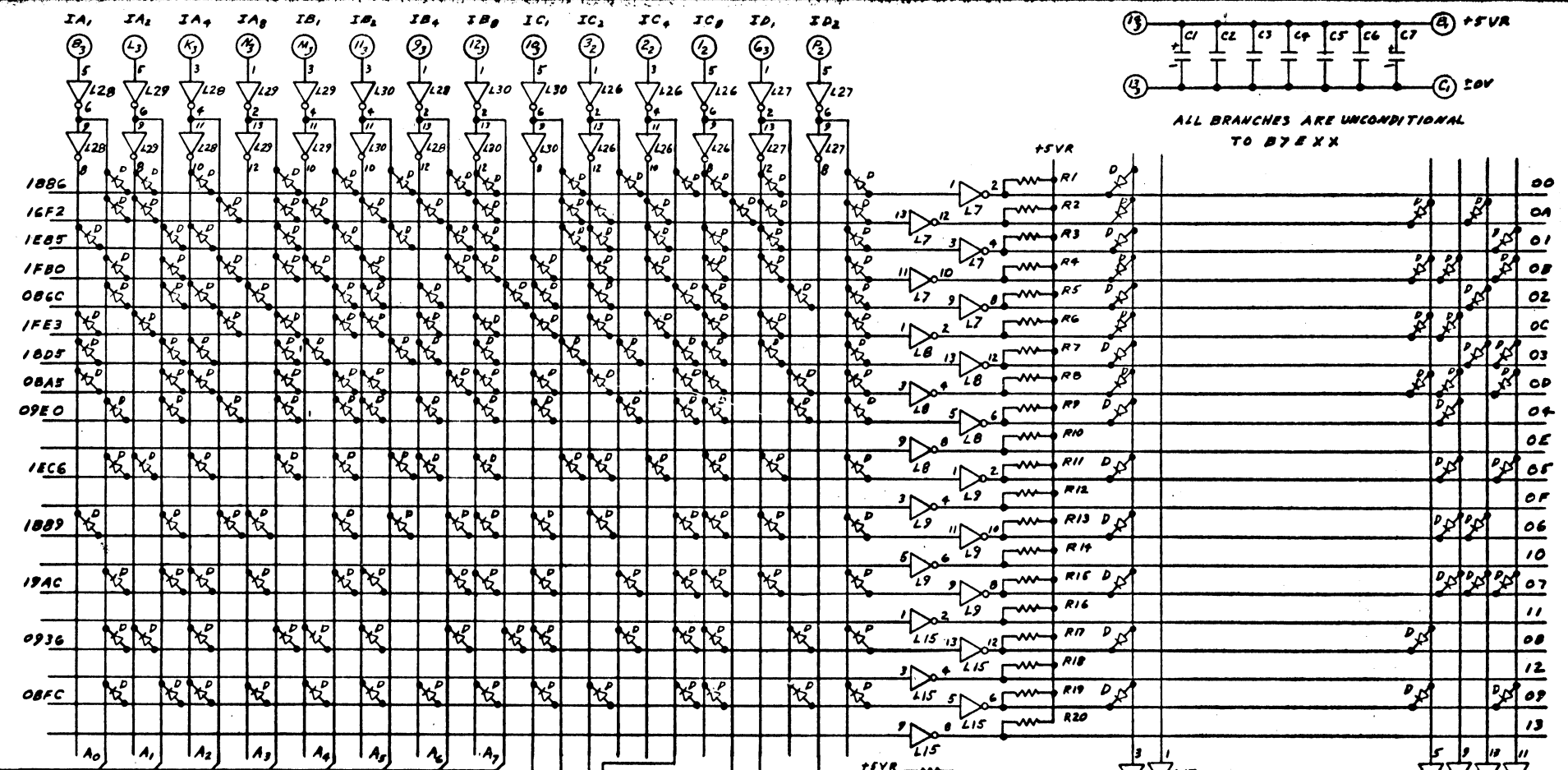
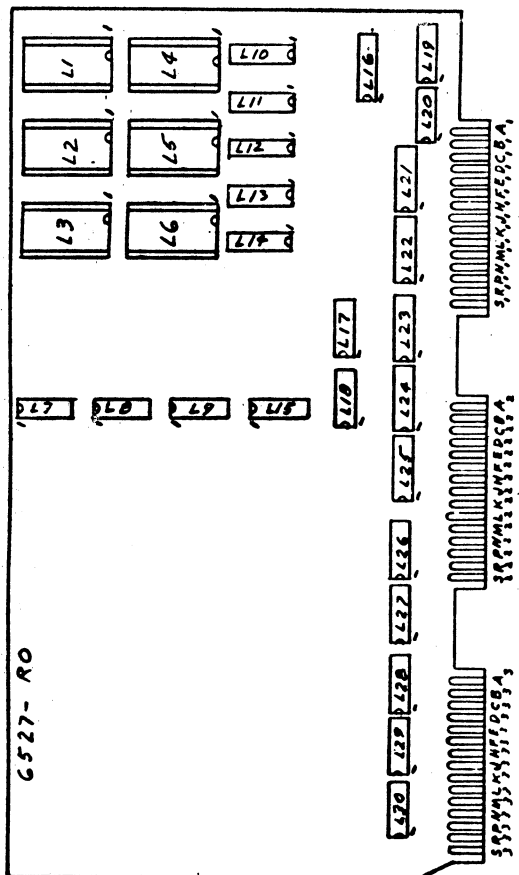


NOTES:
SEE D6227 FOR 2200 POWER SUPPLY & INTERCONNECTION DIAGRAM.

WANG PART NO.	154	CONNECTOR 11F-1121-110	30 PIN CONNECTOR
QTY.	1		
MATERIAL			
LABORATORIES			
2200 A&B			
TITLE MOTHER BOARD			
210-6522 C 6522 4			

COMPONENT LAYOUT

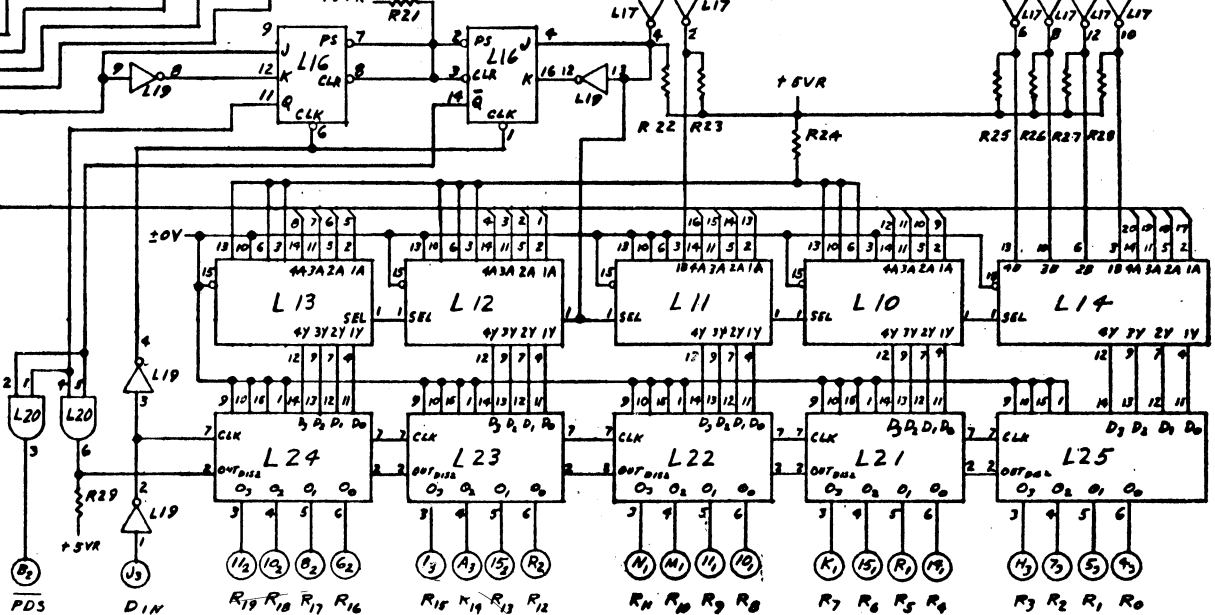
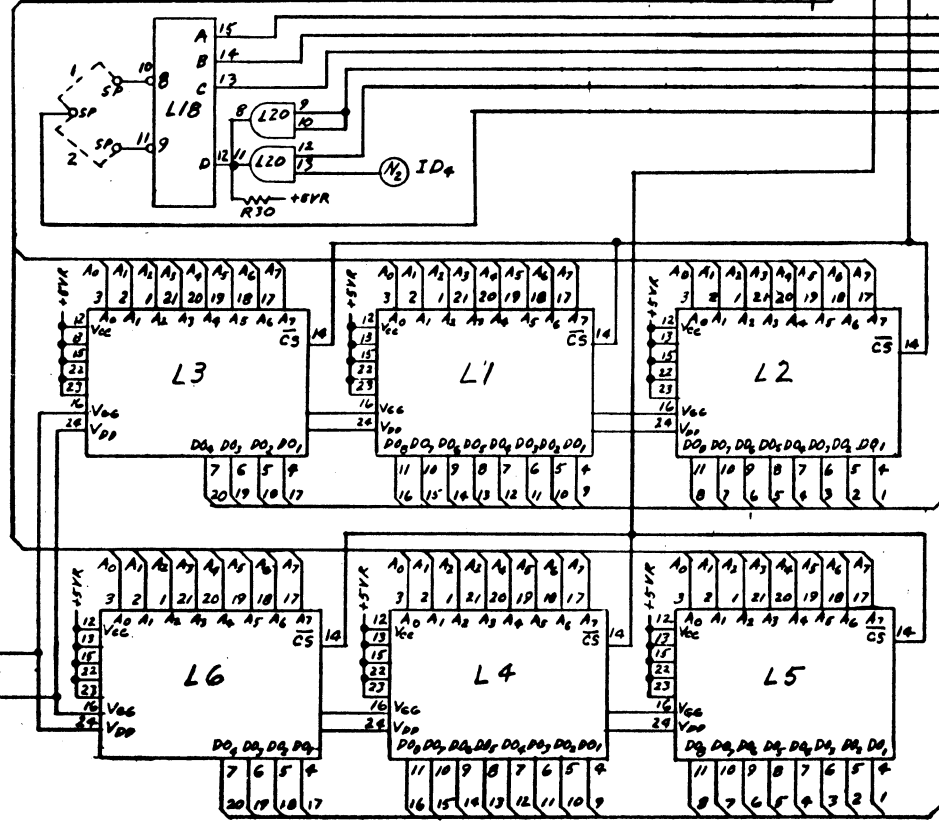
6527-10



ALL BRANCHES ARE UNCONDITIONAL TO B7 EXX

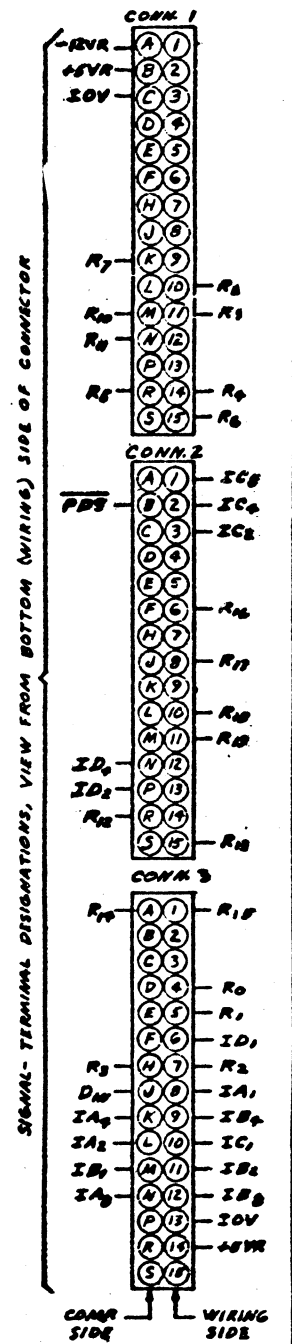
COMP	SIZE/TYP	W.L. NO.	QTY
R1THRO301K	F	330-3010	30
D	SIL DIODE	380-1001	234
D2,3	EMPO3	380-4000	2
C1,7	1/4W 20V TMT	300-4022	2
C2,3,4,5,6	.01UF CER	300-1903	5
SOCKET	24 PIN	376-9003	G

1702A PROGRAM VARIATIONS		
LOC.	A1	A1E
L1		378-0256
L2		378-0255
L3		378-0257
L4	378-0249	378-0253
L5	378-0247	378-0252
L6	378-0245	378-0254



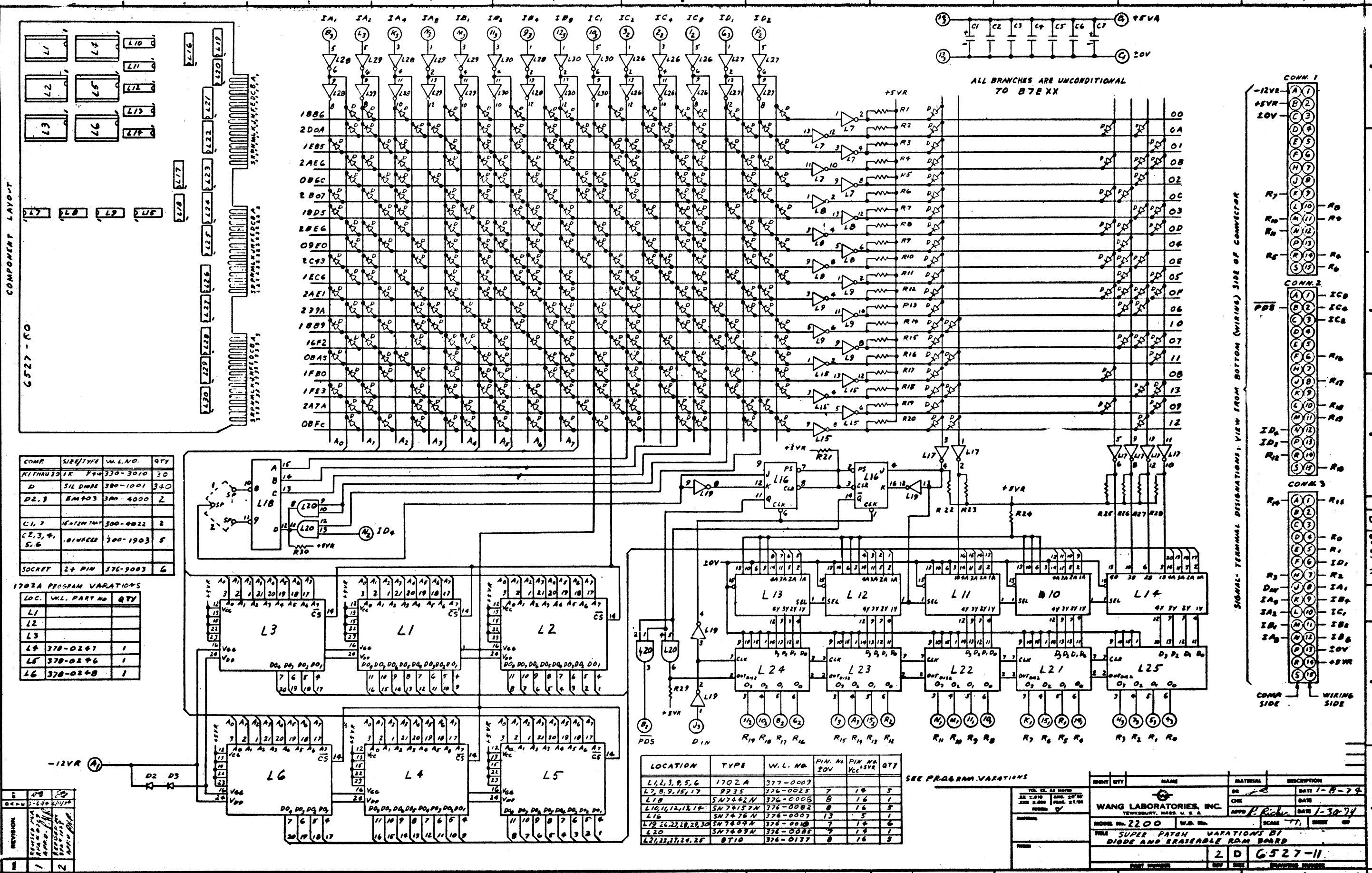
LOCATION	TYPE	W.L. NO.	PIN. NO. 10V	PIN. NO. VCC +5VR	QTY
L1,2,3,4,5,6	1702A	377-0009	-	-	-
L7,8,9,15,17	9935	376-0025	7	14	5
L18	SN7492N	376-0008	8	16	1
L10,11,12,13,14	SN74187N	376-0082	8	16	5
L16	SN7476N	376-0007	13	5	1
L19,24,27,28,29,30	SN7400N	376-0010	7	14	6
L20	SN7409N	376-0085	7	14	1
L21,22,23,24,25	0710	376-0197	8	16	8

SEE PROGRAM VARIATIONS



REVISION	DATE	BY	APP'D
1	3-6-79	WJ	
2	4/17/79	WJ	

IDENT	QTY	NAME	MATERIAL	DESCRIPTION
WANG LABORATORIES, INC.				
MODEL No. 2200		W.D. No.		SCALE 1/16"
TITLE SUPER PATCH VERSIONS A1 AND A1E				
DIODE AND ERASABLE ROM BOARD				
			2 D	6527-10

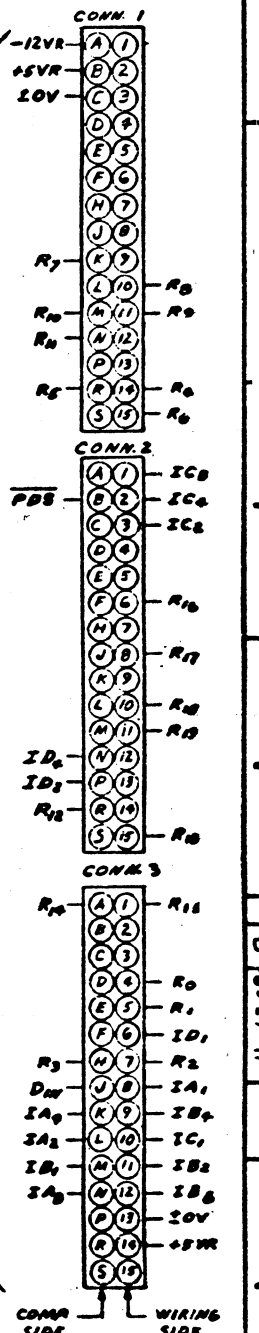


COMPONENT LAYOUT

6527-RO

ALL BRANCHES ARE UNCONDITIONAL TO B7E XX

SIGNAL-TERMINAL DESIGNATIONS, VIEW FROM BOTTOM (WIRING) SIDE OF CONNECTOR



COMP.	SIZE/TYPE	W. L. NO.	QTY
R1THRU33R	1/4W	330-3010	30
D	SIL DIODE	300-1001	340
D2,3	EMT03	300-4000	2
C1,7	1/4W 12V	300-4022	2
C2,3,4,5,6	.01MFCU	300-1903	5
SOCKET	24 PIN	376-9003	6

1702A PROGRAM VARIATIONS

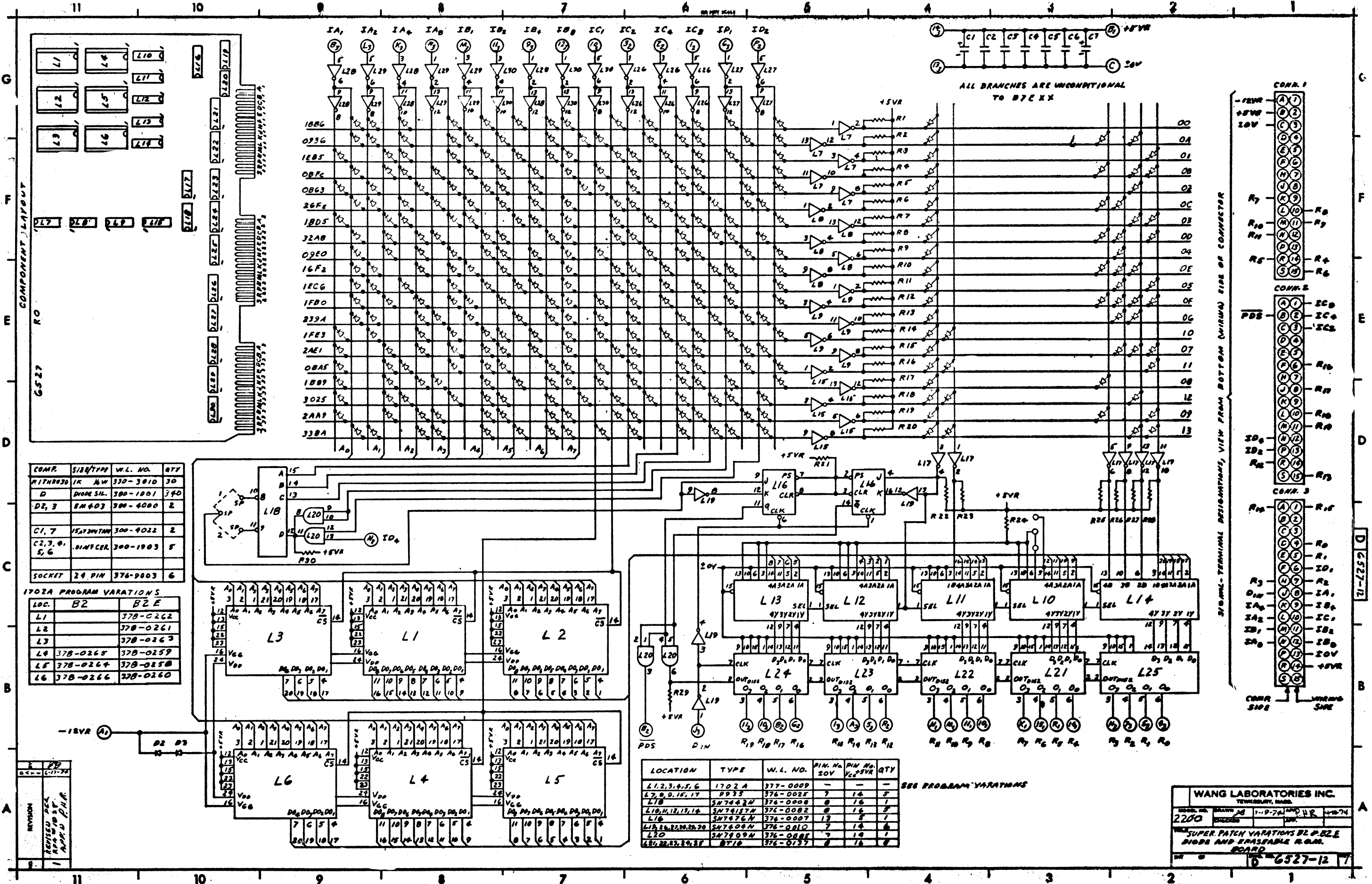
LOC.	W. L. PART NO.	QTY
L1		
L2		
L3		
L4	378-0247	1
L5	378-0246	1
L6	378-0248	1

LOCATION	TYPE	W. L. NO.	PIN. NO. 20V	PIN. NO. Vcc +5VR	QTY
L1,2,3,4,5,6	1702A	377-0009			
L7,8,9,15,17	9935	376-0025	7	14	5
L18	SN7442N	376-0008	8	16	1
L19,12,13,14	SN74157N	376-0082	8	16	5
L16	SN7476N	376-0007	13	5	1
L19,20,21,22,23,24	SN7405N	376-0018	7	14	6
L20	SN7409N	376-0087	7	14	1
L21,22,23,24,25	BT10	376-0137	8	16	5

SEE PROGRAM VARIATIONS

REV.	QTY	NAME	MATERIAL	DESCRIPTION
1	1	WANG LABORATORIES, INC.		DATE 1-8-74
2	1	DATE 1-30-74		
MODEL No. 2200		W. L. No.	DEALS "T1"	
TITLE SUPER PATCH VARIATIONS B1 DIODE AND ERASABLE RAM BOARD				
REV. NUMBER	2	REV. DATE	REV. DATE	REV. DATE
				6527-11

REV.	DESCRIPTION
1	INITIAL DESIGN
2	REVISED



COMPONENT LAYOUT

COMP.	SIZE/TYP	W.L. NO.	QTY
R17R30	1K MW	370-3010	30
D	DIODE SIL.	380-1001	340
D2, 3	EM 403	380-4080	2
C1, 7	15V 50V TAN	300-4022	2
C2, 3, 5, 6	MINICER	300-1003	5
SOCKET	24 PIN	376-9803	6

1702A PROGRAM VARIATIONS

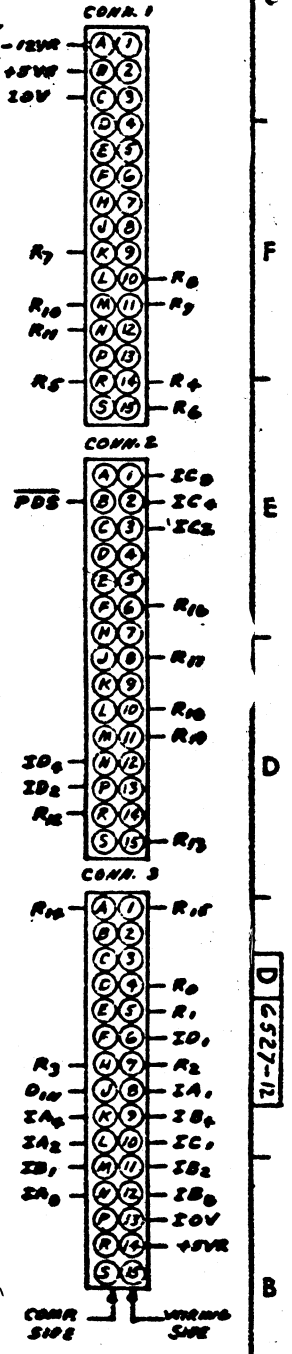
LOC.	B2	B2E
L1		37B-0262
L2		37B-0261
L3		37B-0263
L4	37B-0265	37B-0259
L5	37B-0264	37B-0258
L6	37B-0266	37B-0260

REVISION	DATE	BY	APP'D
1	11-17-78	W.L.	P.H.R.

LOCATION	TYPE	W.L. NO.	PIN NO. 30V	PIN NO. 5V	QTY
L1, 2, 3, 4, 5, 6	1702A	377-0009	-	-	SEE PROGRAM VARIATIONS
L7, 8, 9, 15, 17	P933	376-0025	7	14	5
L18	SN7442N	376-0008	8	16	1
L19, 18, 19, 16	SN74157N	376-0082	8	16	5
L16	SN7476N	376-0007	13	5	1
L19, 26, 22, 20, 20, 20	SN7400N	376-0010	7	14	6
L20	SN7409N	376-0086	7	14	1
L21, 22, 23, 24, 27	BT10	376-0135	8	16	8

ALL BRANCHES ARE UNCONDITIONAL TO D7C XX

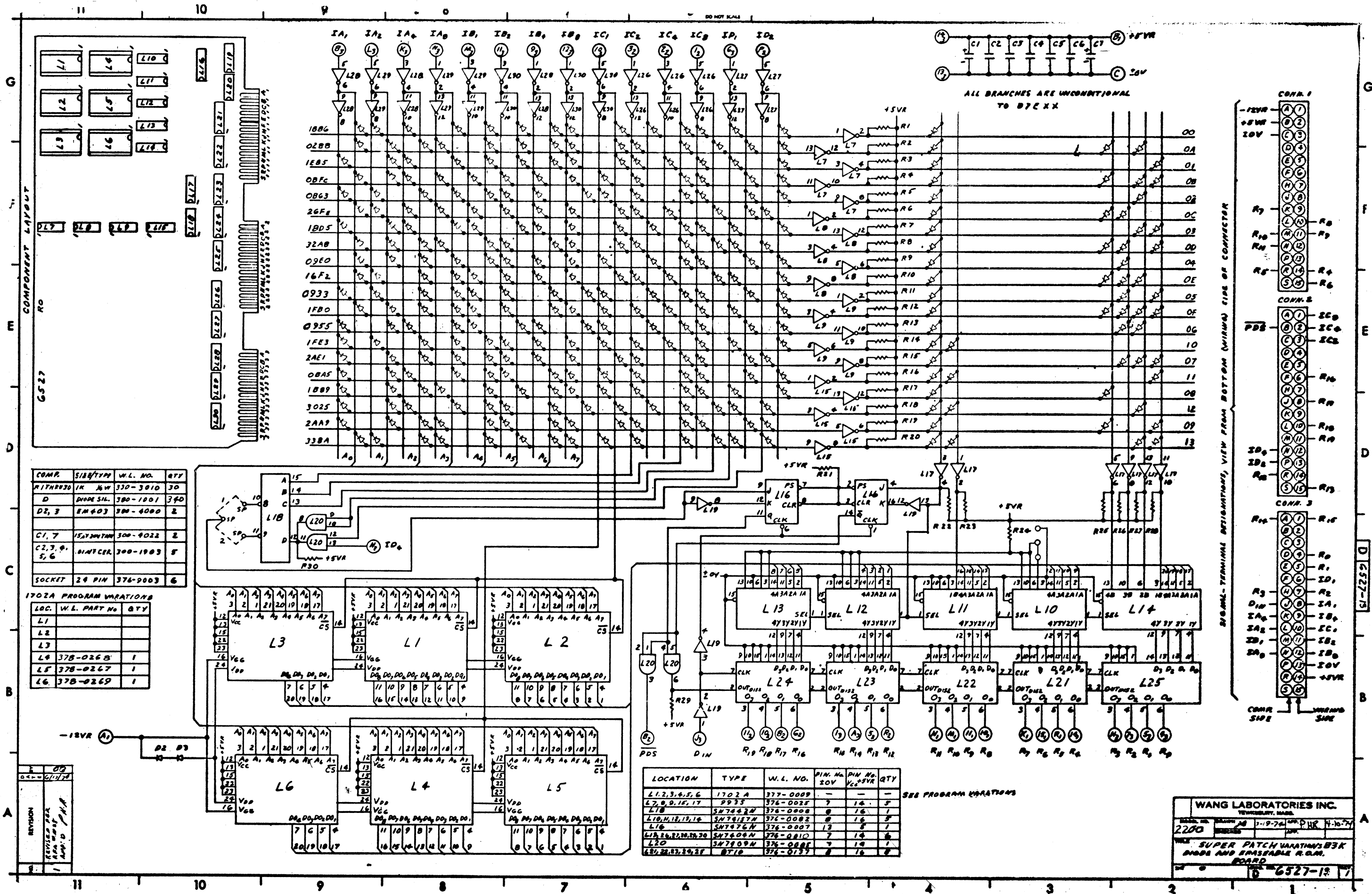
30-PIN TERMINAL DESIGNATIONS, VIEW FROM BOTTOM (WIRING SIDE OF CONNECTOR)



WANG LABORATORIES INC.
 TOWERSVILLE, MARYLAND

2200
 SUPER PATCH VARIATIONS B2, B2E
 SIBS AND ERASABLE R.O.M.
 BOARD

6527-12



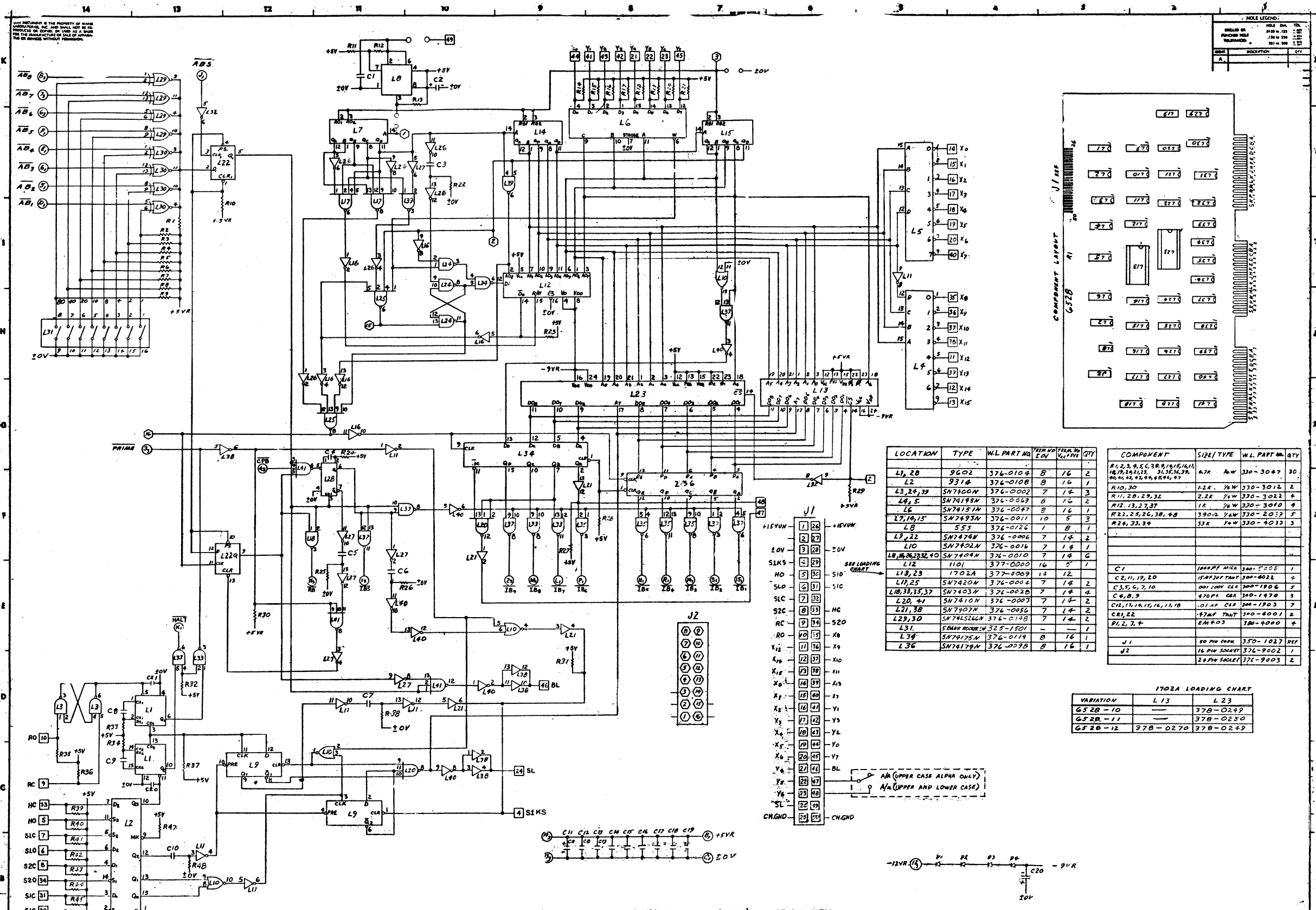
COMP.	SIB/TYP	W.L. NO.	QTY
R17R20	1K 1/4W	330-3010	30
D	DIODE SIL	300-1001	30
D2, 3	EM 403	300-4000	2
C1, 7	15V TANTAN	300-4022	2
C2, 3, 4, 5, 6	MINI CER	300-1903	5
SOCKET	24 PIN	376-9003	6

1702A PROGRAM VARIATIONS			
LOC.	W.L. PART NO.	QTY	
L1			
L2			
L3			
L4	378-026B	1	
L5	378-0267	1	
L6	378-0269	1	

REVISION	DATE	BY	APP'D
1	6/12/72		

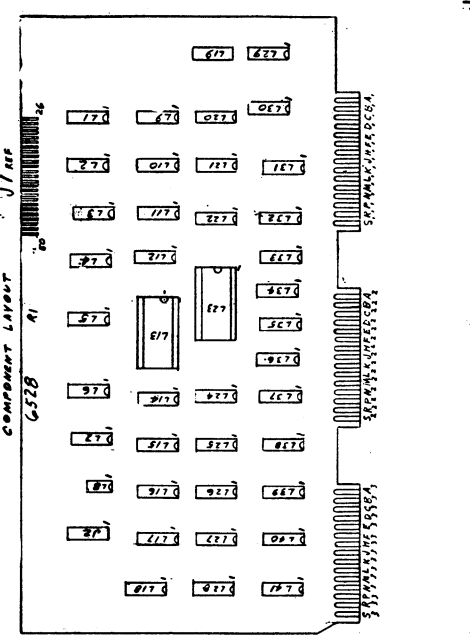
LOCATION	TYPE	W.L. NO.	PIN No. 20V	PIN No. +5V	QTY
L1, 2, 3, 4, 5, 6	1702A	377-0009	-	-	-
L7, 8, 9, 15, 17	P935	376-0025	7	14	5
L18	SN7442M	376-0008	8	16	1
L10, M, 13, 14	SN7417M	376-0082	8	16	5
L16	SN7476M	376-0007	13	5	1
L15, 24, 27, 28, 29, 30	SN7400M	376-0010	7	14	6
L20	SN7909M	376-0086	7	14	1
L22, 23, 24, 25	BT10	376-0137	8	16	8

WANG LABORATORIES INC.
 2200
 SUPER PATCH VARIATION'S B3K
 BOARD AND REMASABLE R.O.M.
 BOARD
 6527-12



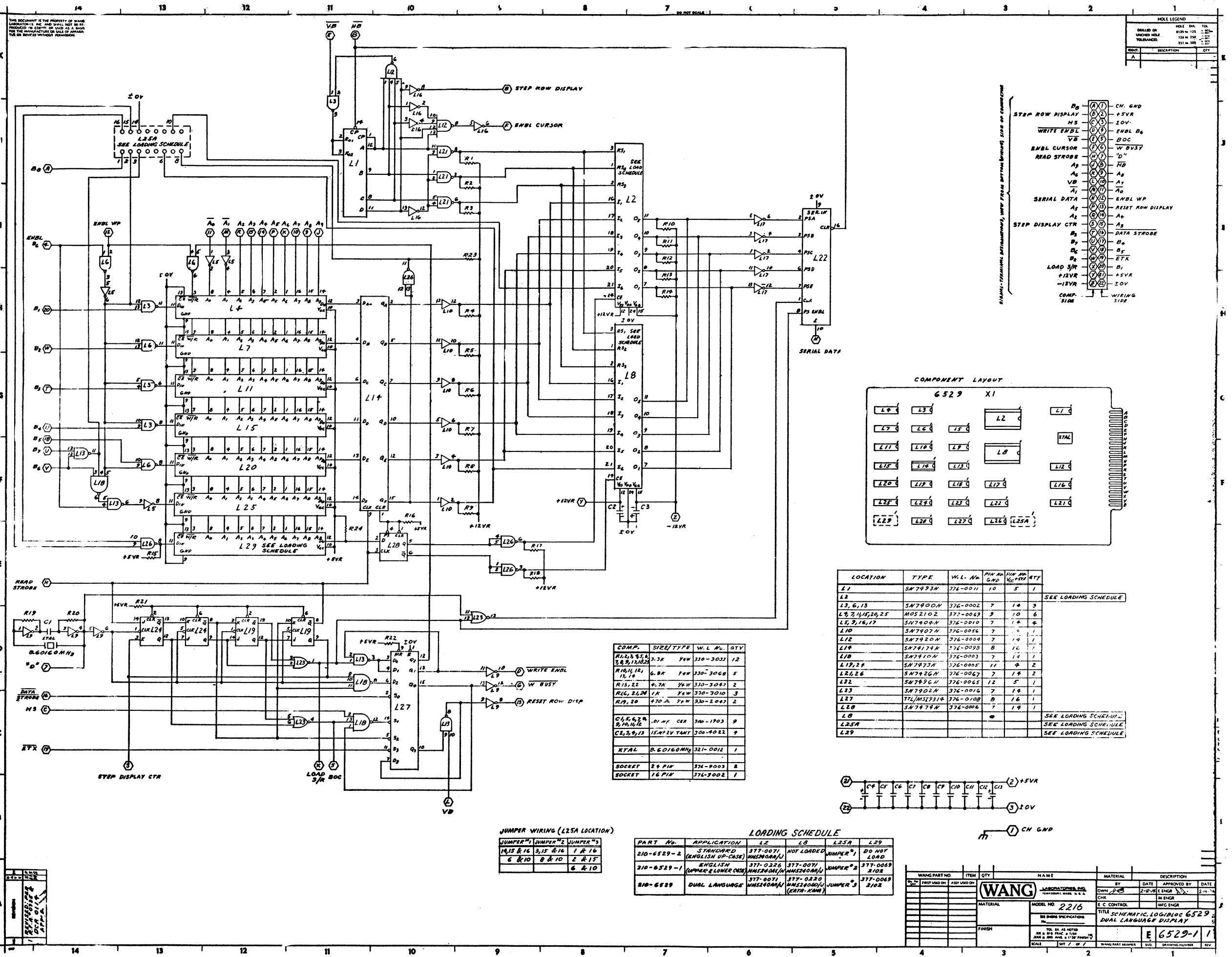
HOLE LEGEND:

DRILL OR PUNCH HOLE	NO. DIA.	INCH	NO.
1	.125	.0625	1
2	.1875	.09375	2
3	.250	.125	3
4	.3125	.15625	4
5	.375	.1875	5
6	.4375	.21875	6
7	.500	.250	7
8	.5625	.28125	8
9	.625	.3125	9
10	.6875	.34375	10
11	.750	.375	11
12	.8125	.40625	12
13	.875	.4375	13
14	.9375	.46875	14
15	1.000	.500	15
16	1.0625	.53125	16
17	1.125	.5625	17
18	1.1875	.59375	18
19	1.250	.625	19
20	1.3125	.65625	20
21	1.375	.6875	21
22	1.4375	.71875	22
23	1.500	.750	23
24	1.5625	.78125	24
25	1.625	.8125	25
26	1.6875	.84375	26
27	1.750	.875	27
28	1.8125	.90625	28
29	1.875	.9375	29
30	1.9375	.96875	30
31	2.000	1.000	31
32	2.0625	1.03125	32
33	2.125	1.0625	33
34	2.1875	1.09375	34
35	2.250	1.125	35
36	2.3125	1.15625	36
37	2.375	1.1875	37
38	2.4375	1.21875	38
39	2.500	1.250	39
40	2.5625	1.28125	40
41	2.625	1.3125	41
42	2.6875	1.34375	42
43	2.750	1.375	43
44	2.8125	1.40625	44
45	2.875	1.4375	45
46	2.9375	1.46875	46
47	3.000	1.500	47
48	3.0625	1.53125	48
49	3.125	1.5625	49
50	3.1875	1.59375	50
51	3.250	1.625	51
52	3.3125	1.65625	52
53	3.375	1.6875	53
54	3.4375	1.71875	54
55	3.500	1.750	55
56	3.5625	1.78125	56
57	3.625	1.8125	57
58	3.6875	1.84375	58
59	3.750	1.875	59
60	3.8125	1.90625	60
61	3.875	1.9375	61
62	3.9375	1.96875	62
63	4.000	2.000	63
64	4.0625	2.03125	64
65	4.125	2.0625	65
66	4.1875	2.09375	66
67	4.250	2.125	67
68	4.3125	2.15625	68
69	4.375	2.1875	69
70	4.4375	2.21875	70
71	4.500	2.250	71
72	4.5625	2.28125	72
73	4.625	2.3125	73
74	4.6875	2.34375	74
75	4.750	2.375	75
76	4.8125	2.40625	76
77	4.875	2.4375	77
78	4.9375	2.46875	78
79	5.000	2.500	79
80	5.0625	2.53125	80
81	5.125	2.5625	81
82	5.1875	2.59375	82
83	5.250	2.625	83
84	5.3125	2.65625	84
85	5.375	2.6875	85
86	5.4375	2.71875	86
87	5.500	2.750	87
88	5.5625	2.78125	88
89	5.625	2.8125	89
90	5.6875	2.84375	90
91	5.750	2.875	91
92	5.8125	2.90625	92
93	5.875	2.9375	93
94	5.9375	2.96875	94
95	6.000	3.000	95
96	6.0625	3.03125	96
97	6.125	3.0625	97
98	6.1875	3.09375	98
99	6.250	3.125	99
100	6.3125	3.15625	100
101	6.375	3.1875	101
102	6.4375	3.21875	102
103	6.500	3.250	103
104	6.5625	3.28125	104
105	6.625	3.3125	105
106	6.6875	3.34375	106
107	6.750	3.375	107
108	6.8125	3.40625	108
109	6.875	3.4375	109
110	6.9375	3.46875	110
111	7.000	3.500	111
112	7.0625	3.53125	112
113	7.125	3.5625	113
114	7.1875	3.59375	114
115	7.250	3.625	115
116	7.3125	3.65625	116
117	7.375	3.6875	117
118	7.4375	3.71875	118
119	7.500	3.750	119
120	7.5625	3.78125	120
121	7.625	3.8125	121
122	7.6875	3.84375	122
123	7.750	3.875	123
124	7.8125	3.90625	124
125	7.875	3.9375	125
126	7.9375	3.96875	126
127	8.000	4.000	127
128	8.0625	4.03125	128
129	8.125	4.0625	129
130	8.1875	4.09375	130
131	8.250	4.125	131
132	8.3125	4.15625	132
133	8.375	4.1875	133
134	8.4375	4.21875	134
135	8.500	4.250	135
136	8.5625	4.28125	136
137	8.625	4.3125	137
138	8.6875	4.34375	138
139	8.750	4.375	139
140	8.8125	4.40625	140
141	8.875	4.4375	141
142	8.9375	4.46875	142
143	9.000	4.500	143
144	9.0625	4.53125	144
145	9.125	4.5625	145
146	9.1875	4.59375	146
147	9.250	4.625	147
148	9.3125	4.65625	148
149	9.375	4.6875	149
150	9.4375	4.71875	150
151	9.500	4.750	151
152	9.5625	4.78125	152
153	9.625	4.8125	153
154	9.6875	4.84375	154
155	9.750	4.875	155
156	9.8125	4.90625	156
157	9.875	4.9375	157
158	9.9375	4.96875	158
159	10.000	5.000	159
160	10.0625	5.03125	160
161	10.125	5.0625	161
162	10.1875	5.09375	162
163	10.250	5.125	163
164	10.3125	5.15625	164
165	10.375	5.1875	165
166	10.4375	5.21875	166
167	10.500	5.250	167
168	10.5625	5.28125	168
169	10.625	5.3125	169
170	10.6875	5.34375	170
171	10.750	5.375	171
172	10.8125	5.40625	172
173	10.875	5.4375	173
174	10.9375	5.46875	174
175	11.000	5.500	175



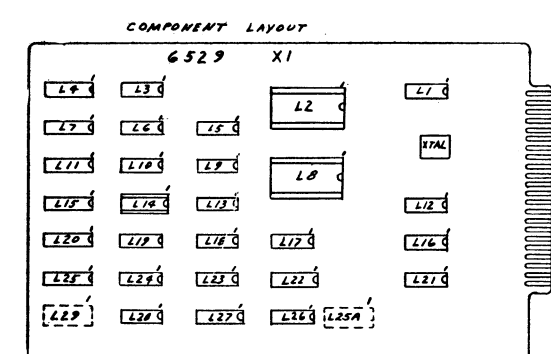
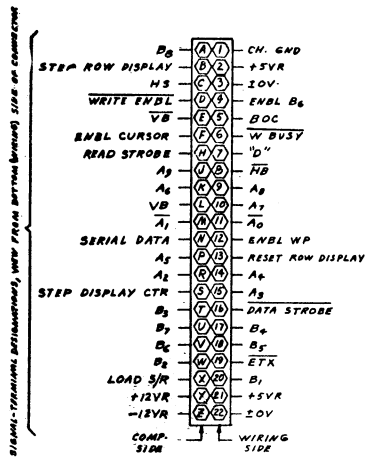
LOCATION	TYPE	WL PART NO	TECH NO	TECH REV	QTY
L1, 28	9602	376-0104	B	16	2
L2	9314	376-0108	B	16	1
L3, 24, 29	SN7400N	376-0002	7	14	3
L4, 5	SN74195N	376-0029	B	16	2
L6	SN74151N	376-0087	B	16	1
L7, 14, 15	SN7493AN	376-0011	10	5	3
L8	555	376-0126	1	8	1
L9, 22	SN7474N	376-0006	7	14	2
L10	SN7402N	376-0016	7	14	1
L11, 16, 23, 32, 40	SN7404N	376-0010	7	14	6
L12	1101	377-0000	16	5	1
L13, 23	1702A	377-0009	14	12	2
L17, 25	SN7420N	376-0004	7	14	2
L18, 33, 35, 37	SN7403N	376-0028	7	14	4
L20, 41	SN7410N	376-0007	7	14	2
L21, 38	SN7407N	376-0056	7	14	2
L23, 30	SN74LS246N	376-0158	7	14	2
L31	S BANK ROVER	325-1501	-	-	1
L34	SN74175N	376-0119	B	16	1
L36	SN74174N	376-0098	B	16	1

COMPONENT	SIZE/TYPE	WL PART NO	QTY
R1, 2, 3, 4, 5, 6, 7, 8, 9, 10, 11, 12, 13, 14, 15, 16, 17, 18, 19, 20, 21, 22, 23, 24, 25, 26, 27, 28, 29, 30, 31, 32, 33, 34, 35, 36, 37, 38, 39, 40, 41, 42, 43, 44, 45, 46, 47, 48, 49, 50, 51, 52, 53, 54, 55, 56, 57, 58, 59, 60, 61, 62, 63, 64, 65, 66, 67, 68, 69, 70, 71, 72, 73, 74, 75, 76, 77, 78, 79, 80, 81, 82, 83, 84, 85, 86, 87, 88, 89, 90, 91, 92, 93, 94, 95, 96, 97, 98, 99, 100, 101, 102, 103, 104, 105, 106, 107, 108, 109, 110, 111, 112, 113, 114, 115, 116, 117, 118, 119, 120, 121, 122, 123, 124, 125, 126, 127, 128, 129, 130, 131, 132, 133, 134, 135, 136, 137, 138, 139, 140, 141, 142, 143, 144, 145, 146, 147, 148, 149, 150, 151, 152, 153, 154, 155, 156, 157, 158, 159, 160, 161, 162, 163, 164, 165, 166, 167, 168, 169, 170, 171, 172, 173, 174, 175, 176, 177, 178, 179, 180, 181, 182, 183, 184, 185, 186, 187, 188, 189, 190, 191, 192, 193, 194, 195, 196, 197, 198, 199, 200, 201, 202, 203, 204, 205, 206, 207, 208, 209, 210, 211, 212, 213, 214, 215, 216, 217, 218, 219, 220, 221, 222, 223, 224, 225, 226, 227, 228, 229, 230, 231, 232, 233, 234, 235, 236, 237, 238, 239, 240, 241, 242, 243, 244, 245, 246, 247, 248, 249, 250, 251, 252, 253, 254, 255, 256, 257, 258, 259, 260, 261, 262, 263, 264, 265, 266, 267, 268, 269, 270, 271, 272, 273, 274, 275, 276, 277, 278, 279, 280, 281, 282, 283, 284, 285, 286, 287, 288, 289, 290, 291, 292, 293, 294, 295, 296, 297, 298, 299, 300, 301, 302, 303, 304, 305, 306, 307, 308, 309, 310, 311, 312, 313, 314, 315, 316, 317, 318, 319, 320, 321, 322, 323, 324, 325, 326, 327, 328, 329, 330, 331, 332, 333, 334, 335, 336, 337, 338, 339, 340, 341, 342, 343, 344, 345, 346, 347, 348, 349, 350, 351, 352, 353, 354, 355, 356, 357, 358, 359, 360, 361, 362, 363, 364, 365, 366, 367, 368, 369, 370, 371, 372, 373, 374, 375, 376, 377, 378, 379, 380, 381, 382, 383, 384, 385, 386, 387, 388, 389, 390, 391, 392, 393, 394, 395, 396, 397, 398, 399, 400, 401, 402, 403, 404, 405, 406, 407, 408, 409, 410, 411, 412, 413, 414, 415, 416, 417, 418, 419, 420, 421, 422, 423, 424, 425, 426, 427, 428, 429, 430, 431, 432, 433, 434, 435, 436, 437, 438, 439, 440, 441, 442, 443, 444, 445, 446, 447, 448, 449, 450, 451, 452, 453, 454, 455, 456, 457, 458, 459, 460, 461, 462, 463, 464, 465, 466, 467, 468, 469, 470, 471, 472, 473, 474, 475, 476, 477, 478, 479, 480, 481, 482, 483, 484, 485, 486, 487, 488, 489, 490, 491, 492, 493, 49			



HOLE LEGEND

DRILL OR	HOLE DIA.	TOL.
SLOTTED HOLE	.015 to .125	±.005
TOLERANCES	128 to 170	±.01
	171 to 300	±.02
	301 to 500	±.03



LOCATION	TYPE	W.L. No.	PIN No.	QTY	ATTY
L1	SN7493N	376-0011	10	5	1
L2					SEE LOADING SCHEDULE
L3, 6, 13	SN7400N	376-0002	7	14	3
L4, 7, 14, 20, 25	MOS 2102	377-0069	9	10	6
L5, 9, 16, 17	SN7404N	376-0010	7	14	4
L10	SN7407N	376-0066	7	14	1
L12	SN7420N	376-0009	7	14	1
L18	SN74174N	376-0099	8	16	1
L19	SN7410N	376-0003	7	14	1
L19, 24	SN7473N	376-0005	11	9	2
L21, 26	SN7426N	376-0067	7	14	2
L22	SN7492N	376-0065	12	5	1
L23	SN7492N	376-0016	7	14	1
L27	74LS273/4	376-0108	8	16	1
L28	SN7474N	376-0006	7	14	1
L8					SEE LOADING SCHEDULE
L25A					SEE LOADING SCHEDULE
L29					SEE LOADING SCHEDULE

COMP. SIZE TYPE W.L. No. QTY

R12, 9, 5A, 8, 9, 12, 18, 20	2.3K	1/4W	330-3033	12
R10, 11, 12, 13, 14	6.8K	1/4W	330-3068	5
R15, 22	4.7K	1/4W	330-3067	2
R16, 21, 24	1K	1/4W	330-3010	3
R19, 20	470 Ω	1/4W	330-2067	2
C1, 5, 6, 7, 8, 10, 11, 12	.01 μF	CER	360-1903	9
C2, 3, 9, 13	15 μF 2V	TANT	300-4022	4
RTAL	B.60160MHZ		321-0012	1
SOCKET	24 PIN		376-9003	2
SOCKET	16 PIN		376-9002	1

JUMPER WIRING (L25A LOCATION)

JUMPER #1	JUMPER #2	JUMPER #3
1 & 15	3 & 15	1 & 15
6 & 10	8 & 10	2 & 15
		6 & 10

LOADING SCHEDULE

PART No.	APPLICATION	L2	L8	L25A	L29
210-6529-2	STANDARD (ENGLISH UP-CASE)	377-0071	NOT LOADED	JUMPER #1	DO NOT LOAD
210-6529-1	ENGLISH (UPPER & LOWER CASE)	377-0226	MMS2006N/MMS2006M	JUMPER #2	377-0069
210-6529	DUAL LANGUAGE	377-0071	MMS2006N/MMS2006M (ENGLISH)	JUMPER #3	377-0069

WANG PART NO. ITEM QTY NAME MATERIAL DESCRIPTION

WANG PART NO.	ITEM	QTY	NAME	MATERIAL	DESCRIPTION
2216					
WANG					
MODEL NO. 2216					
TITLE SCHEMATIC LOGIC 6529 DUAL LANGUAGE DISPLAY					
SCALE 1/8" = 1"					
DATE 6/29/71					

THIS DOCUMENT IS THE PROPERTY OF WANG LABORATORIES, INC. AND SHALL NOT BE REPRODUCED OR COPIED OR USED AS A BASIS FOR THE MANUFACTURE OF ANY INSTRUMENT OR DEVICE WITHOUT PERMISSION.

HOLE LEGEND

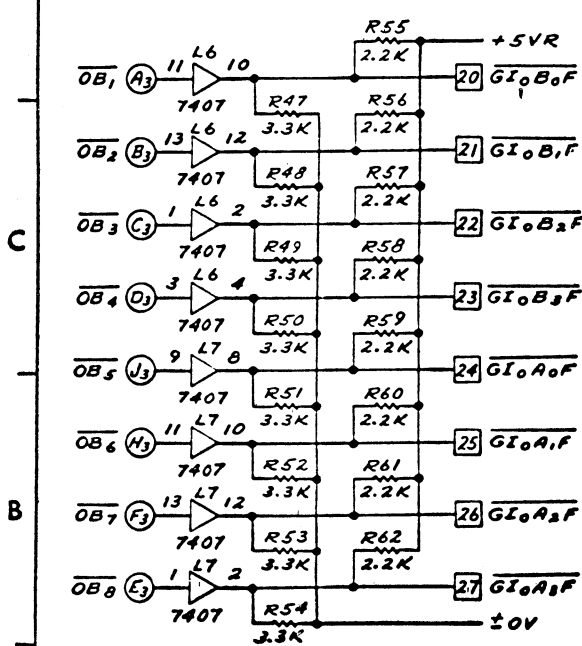
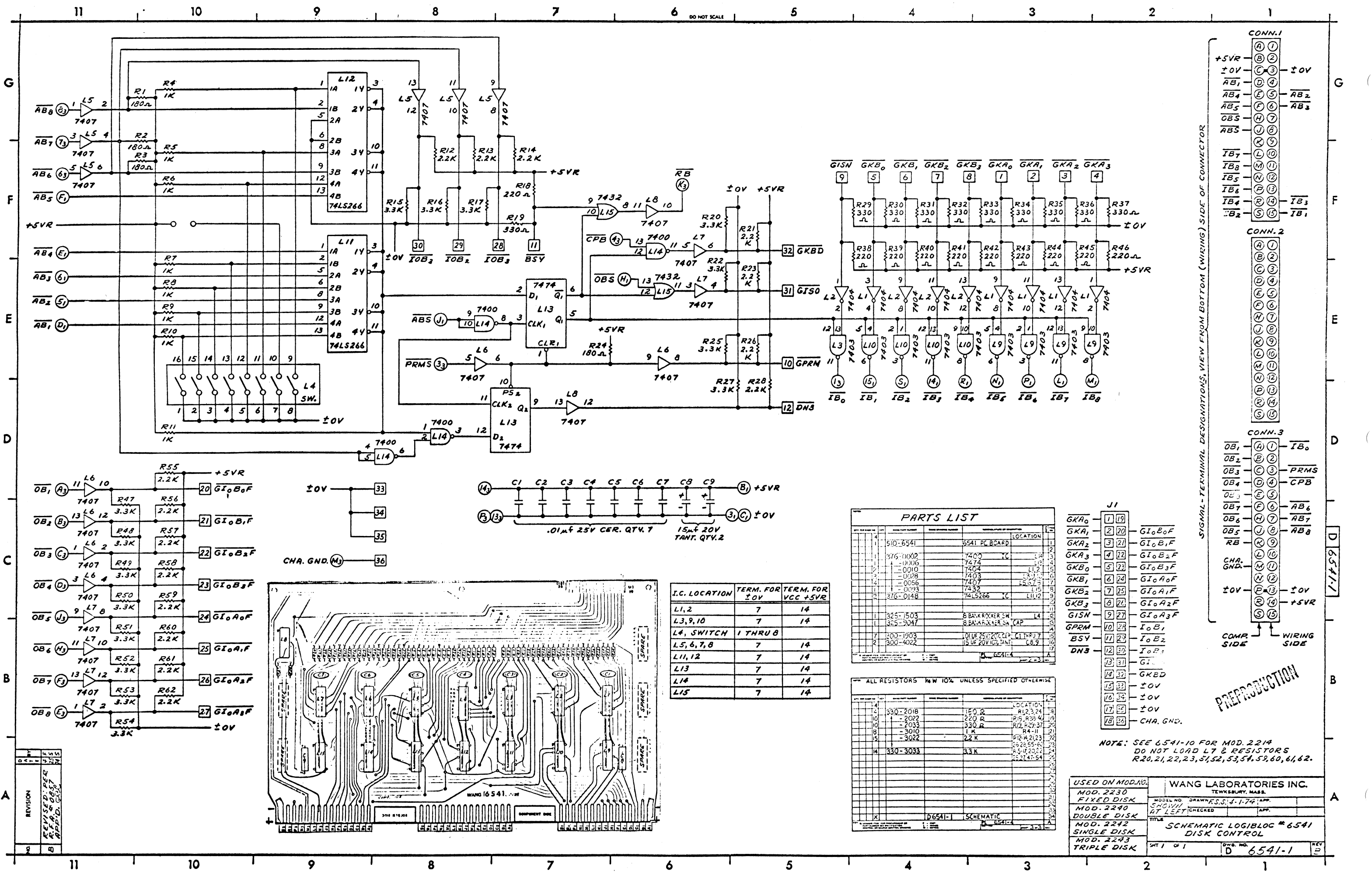
HOLE DIA.	TOL.
DRILLED OR PUNCH-HOLE	.015 to .131 ± .005
TOLERANCES	.134 to .350 ± .005
	.351 to .500 ± .007

REV.	DESCRIPTION	QTY.
A		

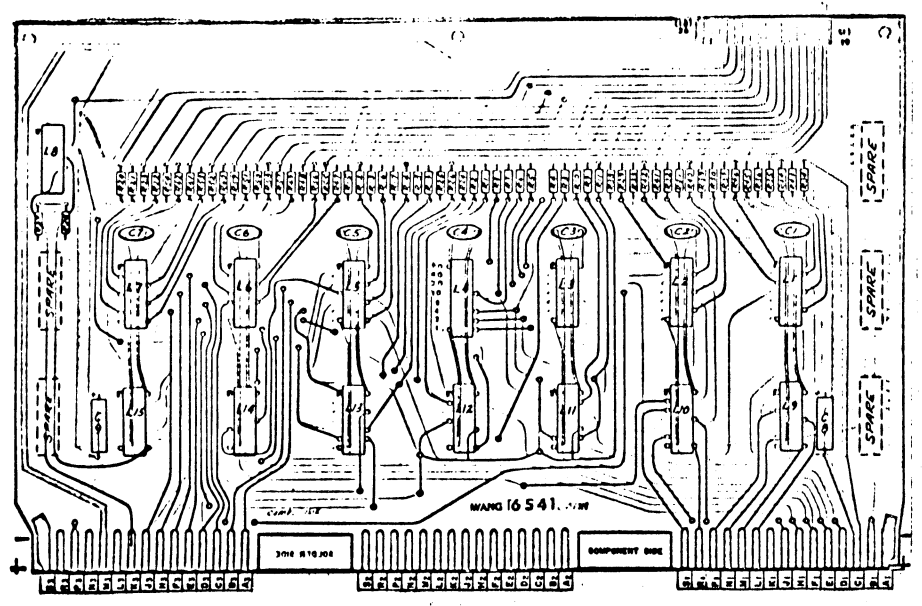
COMPONENT CHART

ALL RESISTORS .25% UNLESS SPECIFIED OTHERWISE

QTY.	PART NO.	DESCRIPTION	LOCATION
1	610-6534		
2	576-0189	SN74S014K	L12
1	576-0187	SN74LS00N	L13
1	576-0188	SN74LS00N	L14
1	576-0189	SN74LS00N	L15
1	576-0190	SN74LS00N	L16
1	576-0191	SN74LS00N	L17
1	576-0192	SN74LS00N	L18
1	576-0193	SN74LS00N	L19
1	576-0194	SN74LS00N	L20
1	576-0195	SN74LS00N	L21
1	576-0196	SN74LS00N	L22
1	576-0197	SN74LS00N	L23
1	576-0198	SN74LS00N	L24
1	576-0199	SN74LS00N	L25
1	576-0200	SN74LS00N	L26
1	576-0201	SN74LS00N	L27
1	576-0202	SN74LS00N	L28
1	576-0203	SN74LS00N	L29
1	576-0204	SN74LS00N	L30
1	576-0205	SN74LS00N	L31
1	576-0206	SN74LS00N	L32
1	576-0207	SN74LS00N	L33
1	576-0208	SN74LS00N	L34
1	576-0209	SN74LS00N	L35
1	576-0210	SN74LS00N	L36
1	576-0211	SN74LS00N	L37
1	576-0212	SN74LS00N	L38
1	576-0213	SN74LS00N	L39
1	576-0214	SN74LS00N	L40
1	576-0215	SN74LS00N	L41
1	576-0216	SN74LS00N	L42
1	576-0217	SN74LS00N	L43
1	576-0218	SN74LS00N	L44
1	576-0219	SN74LS00N	L45
1	576-0220	SN74LS00N	L46
1	576-0221	SN74LS00N	L47
1	576-0222	SN74LS00N	L48
1	576-0223	SN74LS00N	L49
1	576-0224	SN74LS00N	L50
1	576-0225	SN74LS00N	L51
1	576-0226	SN74LS00N	L52
1	576-0227	SN74LS00N	L53
1	576-0228	SN74LS00N	L54
1	576-0229	SN74LS00N	L55
1	576-0230	SN74LS00N	L56
1	576-0231	SN74LS00N	L57
1	576-0232	SN74LS00N	L58
1	576-0233	SN74LS00N	L59
1	576-0234	SN74LS00N	L60
1	576-0235	SN74LS00N	L61
1	576-0236	SN74LS00N	L62
1	576-0237	SN74LS00N	L63
1	576-0238	SN74LS00N	L64
1	576-0239	SN74LS00N	L65
1	576-0240	SN74LS00N	L66
1	576-0241	SN74LS00N	L67
1	576-0242	SN74LS00N	L68
1	576-0243	SN74LS00N	L69
1	576-0244	SN74LS00N	L70
1	576-0245	SN74LS00N	L71
1	576-0246	SN74LS00N	L72
1	576-0247	SN74LS00N	L73
1	576-0248	SN74LS00N	L74
1	576-0249	SN74LS00N	L75
1	576-0250	SN74LS00N	L76
1	576-0251	SN74LS00N	L77
1	576-0252	SN74LS00N	L78
1	576-0253	SN74LS00N	L79
1	576-0254	SN74LS00N	L80
1	576-0255	SN74LS00N	L81
1	576-0256	SN74LS00N	L82
1	576-0257	SN74LS00N	L83
1	576-0258	SN74LS00N	L84
1	576-0259	SN74LS00N	L85
1	576-0260	SN74LS00N	L86
1	576-0261	SN74LS00N	L87
1	576-0262	SN74LS00N	L88
1	576-0263	SN74LS00N	L89
1	576-0264	SN74LS00N	L90
1	576-0265	SN74LS00N	L91
1	576-0266	SN74LS00N	L92
1	576-0267	SN74LS00N	L93
1	576-0268	SN74LS00N	L94
1	576-0269	SN74LS00N	L95
1	576-0270	SN74LS00N	L96
1	576-0271	SN74LS00N	L97
1	576-0272	SN74LS00N	L98
1	576-0273	SN74LS00N	L99
1	576-0274	SN74LS00N	L100
1	576-0275	SN74LS00N	L101
1	576-0276	SN74LS00N	L102
1	576-0277	SN74LS00N	L103
1	576-0278	SN74LS00N	L104
1	576-0279	SN74LS00N	L105
1	576-0280	SN74LS00N	L106
1	576-0281	SN74LS00N	L107
1	576-0282	SN74LS00N	L108
1	576-0283	SN74LS00N	L109
1	576-0284	SN74LS00N	L110
1	576-0285	SN74LS00N	L111
1	576-0286	SN74LS00N	L112
1	576-0287	SN74LS00N	L113
1	576-0288	SN74LS00N	L114
1	576-0289	SN74LS00N	L115
1	576-0290	SN74LS00N	L116
1	576-0291	SN74LS00N	L117
1	576-0292	SN74LS00N	L118
1	576-0293	SN74LS00N	L119
1	576-0294	SN74LS00N	L120
1	576-0295	SN74LS00N	L121
1	576-0296	SN74LS00N	L122
1	576-0297	SN74LS00N	L123
1	576-0298	SN74LS00N	L124
1	576-0299	SN74LS00N	L125
1	576-0300	SN74LS00N	L126
1	576-0301	SN74LS00N	L127
1	576-0302	SN74LS00N	L128
1	576-0303	SN74LS00N	L129
1	576-0304	SN74LS00N	L130
1	576-0305	SN74LS00N	L131
1	576-0306	SN74LS00N	L132
1	576-0307	SN74LS00N	L133
1	576-0308	SN74LS00N	L134
1	576-0309	SN74LS00N	L135
1	576-0310	SN74LS00N	L136
1	576-0311	SN74LS00N	L137
1	576-0312	SN74LS00N	L138
1	576-0313	SN74LS00N	L139
1	576-0314	SN74LS00N	L140
1	576-0315	SN74LS00N	L141
1	576-0316	SN74LS00N	L142
1	576-0317	SN74LS00N	L143
1	576-0318	SN74LS00N	L144
1	576-0319	SN74LS00N	L145
1	576-0320	SN74LS00N	L146
1	576-0321	SN74LS00N	L147
1	576-0322	SN74LS00N	L148
1	576-0323	SN74LS00N	L149
1	576-0324	SN74LS00N	L150
1	576-0325	SN74LS00N	L151
1	576-0326	SN74LS00N	L152
1	576-0327	SN74LS00N	L153
1	576-0328	SN74LS00N	L154
1	576-0329	SN74LS00N	L155
1	576-0330	SN74LS00N	L156
1	576-0331	SN74LS00N	L157
1	576-0332	SN74LS00N	L158
1	576-0333	SN74LS00N	L159
1	576-0334	SN74LS00N	L160
1	576-0335	SN74LS00N	L161
1	576-0336	SN74LS00N	L162
1	576-0337	SN74LS00N	L163
1	576-0338	SN74LS00N	L164
1	576-0339	SN74LS00N	L165
1	576-0340	SN74LS00N	L166
1	576-0341	SN74LS00N	L167
1	576-0342	SN74LS00N	L168
1	576-0343	SN74LS00N	L169
1	576-0344	SN74LS00N	L170
1	576-0345	SN74LS00N	L171
1	576-0346	SN74LS00N	L172
1	576-0347	SN74LS00N	L173
1	576-0348	SN74LS00N	L174
1	576-0349	SN74LS00N	L175
1	576-0350	SN74LS00N	L176
1	576-0351	SN74LS00N	L177
1	576-0352	SN74LS00N	L178
1	576-0353	SN74LS00N	L179
1	576-0354	SN74LS00N	L180
1	576-0355	SN74LS00N	L181
1	576-0356	SN74LS00N	L182
1	576-0357	SN74LS00N	L183
1	576-0358	SN74LS00N	L184
1	576-0359	SN74LS00N	L185
1	576-0360	SN74LS00N	L186
1	576-0361	SN74LS00N	L187
1	576-0362	SN74LS00N	L188
1	576-0363	SN74LS00N	L189
1	576-0364	SN74LS00N	L190
1	576-0365	SN74LS00N	L191
1	576-0366	SN74LS00N	L192
1	576-0367	SN74LS00N	L193
1	576-0368	SN74LS00N	L194
1	576-0369	SN74LS00N	L195
1	576-0370	SN74LS00N	L196
1	576-0371	SN74LS00N	L197
1	576-0372	SN74LS00N	L198
1	576-0373	SN74LS00N	L199
1	576-0374	SN74LS00N	L200
1	576-0375	SN74LS00N	L201
1	576-0376	SN74LS00N	L202
1	576-0377	SN74LS00N	L203
1	576-0378	SN74LS00N	L204
1	576-0379	SN74LS00N	L205
1	576-0380	SN74LS00N	L206
1	576-0381	SN74LS00N	L207
1	576-0382	SN74LS00N	L208
1	576-0383	SN74LS00N	L209
1	576-0384	SN74LS00N	L210
1	576-0385	SN74LS00N	L211
1	576-0386	SN74LS00N	L212
1	576-0387	SN74LS00N	L213
1	576-0388	SN74LS00N	L214
1	576-0389	SN74LS00N	L215
1	576-0390	SN74LS00N	L216
1	576-0391	SN74LS00N	L217
1	576-0392	SN74LS00N	L218
1	576-0393	SN74LS00N	L219
1	576-0394	SN74LS00N	L220
1	576-0395	SN74LS00N	L221
1	576-0396	SN74LS00N	L222
1	576-0397	SN74LS00N	L223
1	576-0398	SN74LS00N	L224
1	576-0399	SN74LS00N	L225
1	576-0400	SN74LS00N	L226
1	576-0401	SN74LS00N	L227
1	576-0402	SN74LS00N	L228
1	576-0403	SN74LS00N	L229
1	576-0404	SN74LS00N	L230
1	576-0405	SN74LS00N	L231
1	576-0406	SN74LS00N	L232
1	576-0407	SN74LS00N	L233
1	576-0408	SN74LS00N	L234
1	576-0409	SN74LS00N	L235
1	576-0410	SN74LS00N	L236
1	576-0411	SN74LS00N	L237
1	576-0412	SN74LS00N	L238
1	576-0413	SN74LS00N	L239
1	576-0414	SN74LS00N	L240
1	576-0415	SN74LS00N	L241
1	576-0416	SN74LS00N	L242
1	576-0417	SN74LS00N	L243
1	576-0418	SN74LS00N	L244
1	576-0419	SN74LS00N	L245
1	576-0420	SN74LS00N	L246
1	576-0421	SN74LS00N	L247
1	576-0422	SN74LS00N	L248
1	576-0423	SN74LS00N	L249
1	576-0424	SN74LS00N	L250
1	576-0425	SN74LS00N	L251
1	576-0426	SN74LS00N	L252
1	576-0427	SN74LS00N	L253
1	576-0428	SN74LS00N	L254
1	576-0429	SN74LS00N	L255
1	576-0430	SN74LS00N	L256
1	576-0431	SN74LS00N	L257
1	576-0432	SN74LS00N	L258
1	576-0433	SN74LS00N	L259
1	576-0434	SN74LS00N	L260
1	576-0435	SN74LS00N	L261
1	576-0436	SN74LS00N	L262
1	576-0437	SN74LS00N	L263
1	576-0438	SN74LS00N	L264
1	576-0439	SN74LS00N	L265
1	576-0440	SN74LS00N	L266
1	576-0441	SN74LS00N	L267
1	576-0442	SN74LS00N	L268
1	576-0443	SN74LS00N	L269
1	576-0444	SN74LS00N	L270
1	576-0445	SN74LS00N	L271
1	576-0446	SN74LS00N	L272
1	576-0447	SN74LS00N	L273
1	576-0448	SN74LS00N	L274
1	576-0449	SN74LS00N	L275
1	576-0450	SN74LS00N	L276
1	576-0451	SN74LS00N	L277
1	576-0452	SN74LS00N	L278
1	576-0453	SN74LS00N	L279
1	576-0454	SN74LS00N	L280
1	576-0455	SN74LS00N	L281
1	576-0456		



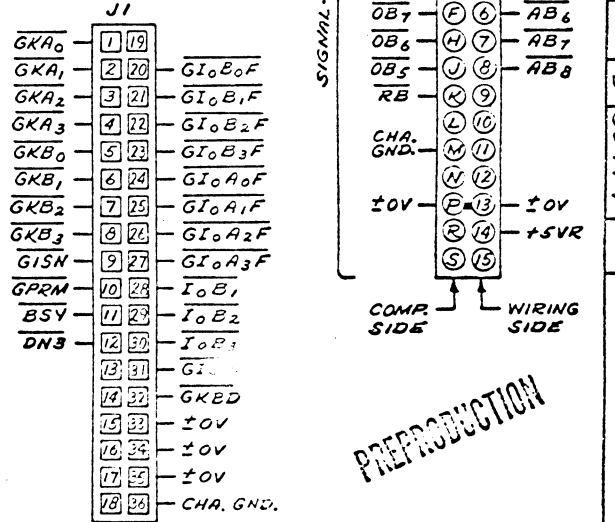
REV.	DATE	BY	APP'D.	REVISION
1	10/1/74	WJ	WJ	REVISED PER REVISED PART APP'D. CUB
2				



I.C. LOCATION	TERM. FOR ±0V	TERM. FOR VCC +5VR
L1,2	7	14
L3,9,10	7	14
L4, SWITCH 1 THRU 8		
L5,6,7,8	7	14
L11,12	7	14
L13	7	14
L14	7	14
L15	7	14

PARTS LIST			
QTY.	DESCRIPTION	MANUFACTURER	LOCATION
1	510-6541	5541 PCB BOARD	11
1	316-0002	7400 IC	12
1	-0006	7474 IC	13
1	-0010	7404 IC	14
1	-0028	7403 IC	15
1	-0056	7407 IC	16
1	-0093	7432 IC	17
1	316-0148	74LS266 IC	18
1	325-1503	8 BANK ROCKER SW	19
1	325-3047	8 BANK ROCKER SA CAP	20
7	300-1903	01UF 25V 20% CAP	21
2	300-4022	15UF 20V 10% TANT. C6,9	22

ALL RESISTORS 1/4W 10% UNLESS SPECIFIED OTHERWISE			
QTY.	DESCRIPTION	MANUFACTURER	LOCATION
14	330-2018	150 Ω	R1,2,3,24
10	-2022	220 Ω	R15, R39, 40
8	-2033	330 Ω	R19, R24, 37
8	-3010	1 K	R4-11
5	-3022	2.2 K	R12, 21, 23, 25
14	330-3033	3.3 K	R2, 26, 27, 28, 29, 30, 31, 32, 33, 34, 35, 36, 37, 38, 39, 40, 41, 42, 43, 44, 45, 46

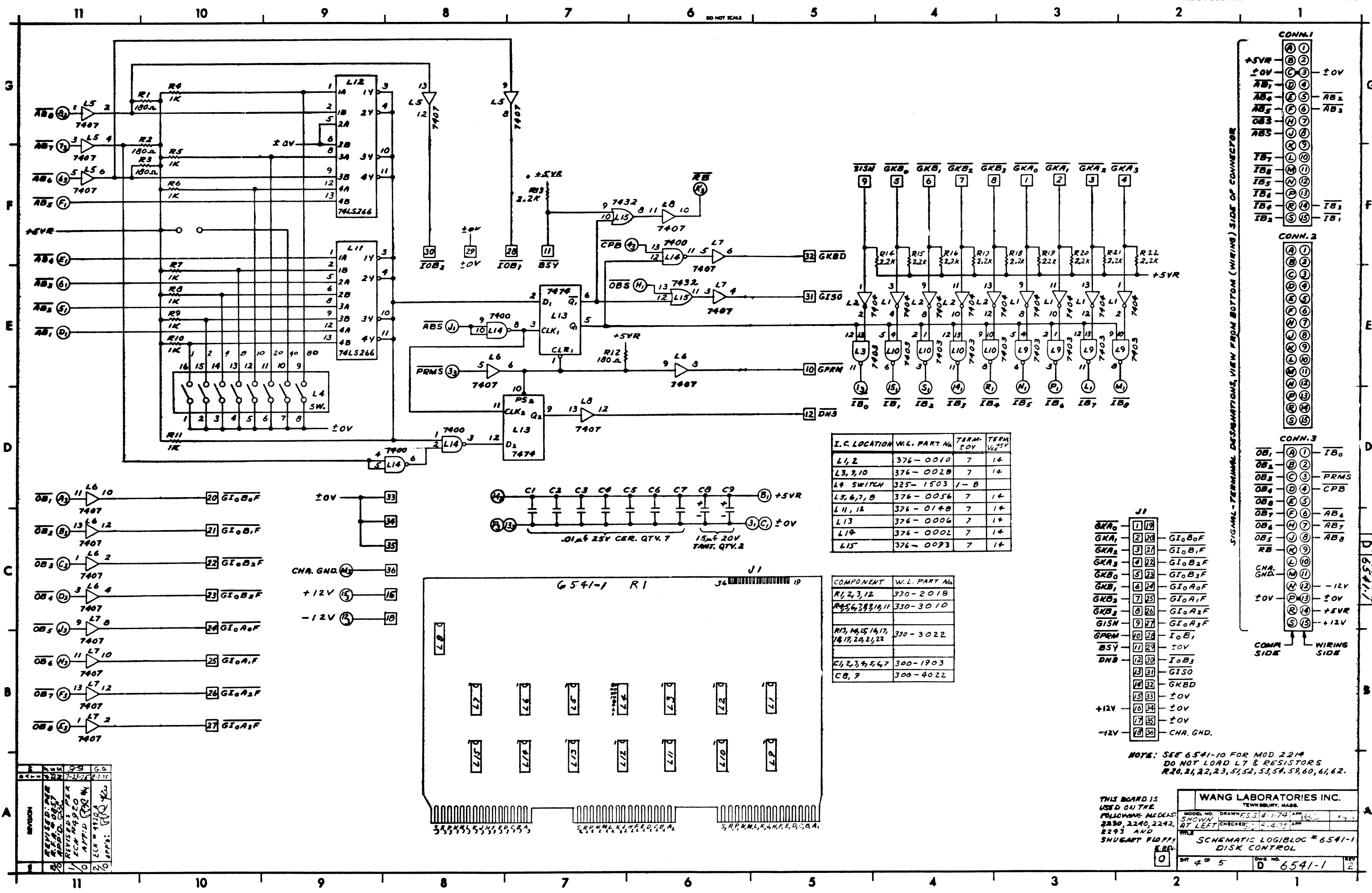


NOTE: SEE 6541-10 FOR MOD. 2214
DO NOT LOAD L7 & RESISTORS
R20, 21, 22, 23, 51, 52, 53, 54, 59, 60, 61, 62.

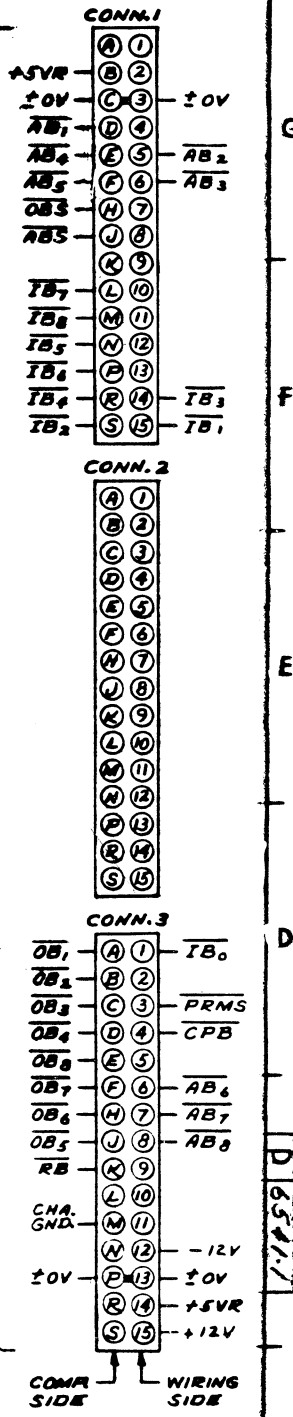
USED ON MOD. NO.	WANG LABORATORIES INC.
MOD. 2230	TEWKSBURY, MASS.
FIXED DISK	MODEL NO. DRAWN E.S.S. 4-1-74 APP.
MOD. 2240	SYNOPSIS BY LEFT CHECKED APP.
DOUBLE DISK	TITLE
MOD. 2242	SCHEMATIC LOGIBLOC #6541
SINGLE DISK	DISK CONTROL
MOD. 2243	
TRIPLE DISK	

PREPRODUCTION

SIGNAL - TERMINAL DESIGNATIONS, VIEW FROM BOTTOM (WIRING) SIDE OF CONNECTOR

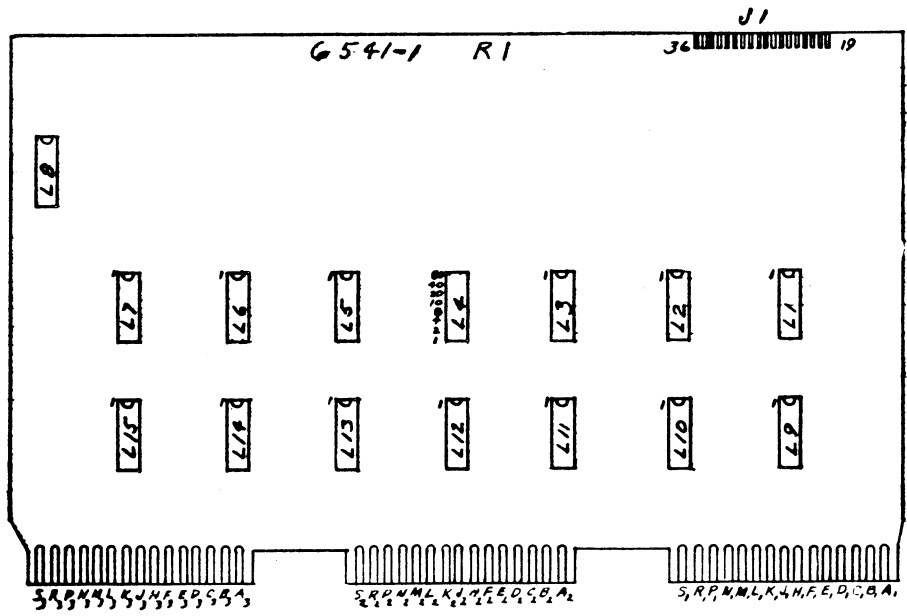


SIGNAL - TERMINAL DESIGNATIONS, VIEW FROM BOTTOM (WIRING SIDE OF CONNECTOR)



I.C. LOCATION	W.L. PART No	TERM. ±0V	TERM. V _{CC} ±5V
L1, 2	376-0010	7	14
L3, 9, 10	376-002B	7	14
L9 SWITCH	325-1503	1-8	
L5, 6, 7, 8	376-0056	7	14
L11, 12	376-014B	7	14
L13	376-0006	7	14
L14	376-0002	7	14
L15	376-0093	7	14

COMPONENT	W.L. PART No
R1, 2, 3, 12	330-201B
R4, 5, 6, 7, 8, 9, 11	330-3010
R13, 14, 15, 16, 17, 18, 19, 20, 21, 22	330-3022
C1, 2, 3, 4, 5, 6, 7	300-1903
C8, 9	300-4022

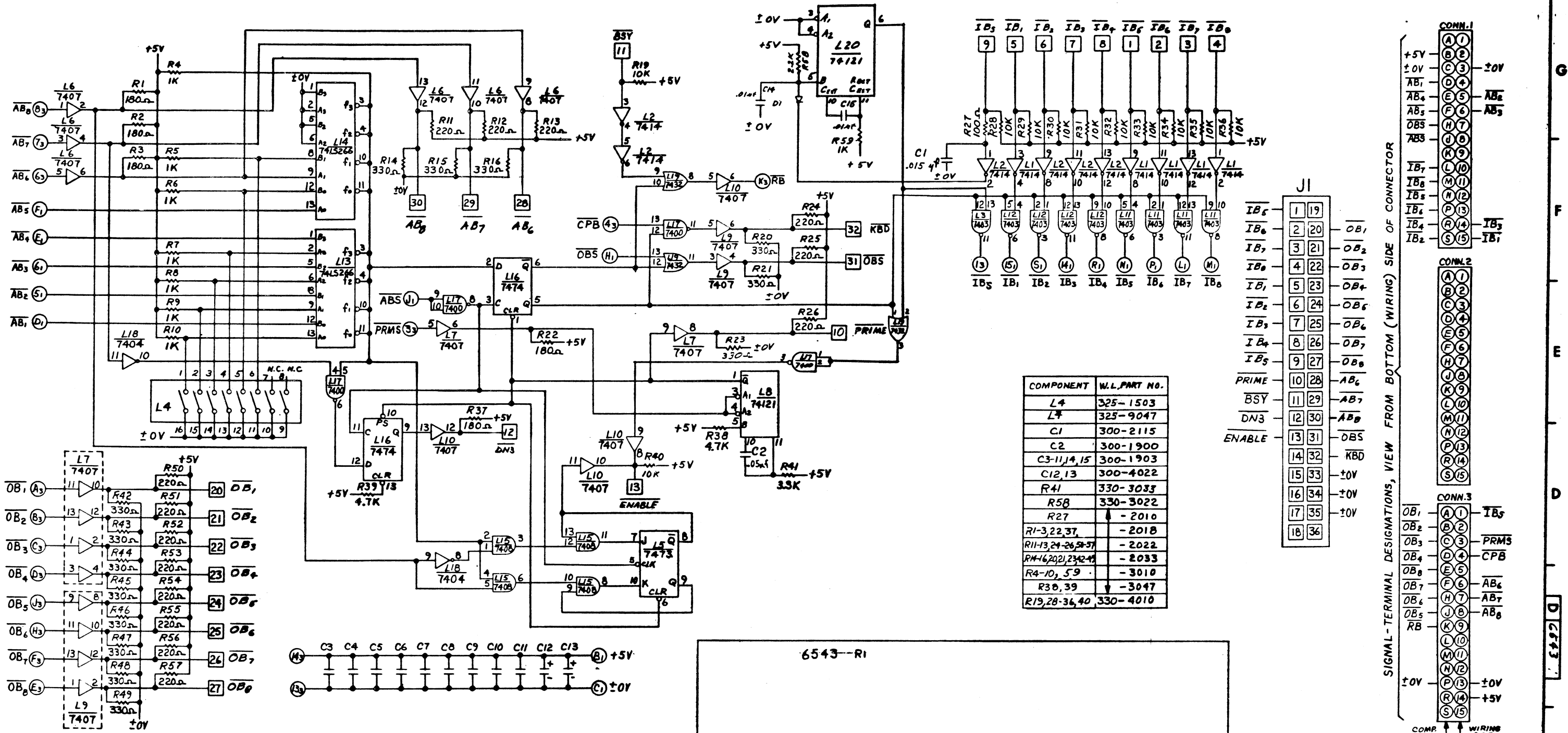


NOTE: SEE 6541-10 FOR MOD. 2214
DO NOT LOAD L7 & RESISTORS
R20, 21, 22, 23, 51, 52, 53, 54, 59, 60, 61, 62.

THIS BOARD IS USED ON THE FOLLOWING MODELS: 2230, 2240, 2242, 2293 AND SHUGART FLOPPY DRIVE.

WANG LABORATORIES INC. TEWKSBURY, MASS.	
MODEL NO. 6541-1	DRAWN: F.S.S. 4-1-74
DATE: 2-23-74	CHECKED: J.E. 4-25-74
SCHEMATIC LOGIBLOC # 6541-1 DISK CONTROL	
REV. 4 OF 5	DWG. NO. D 6541-1

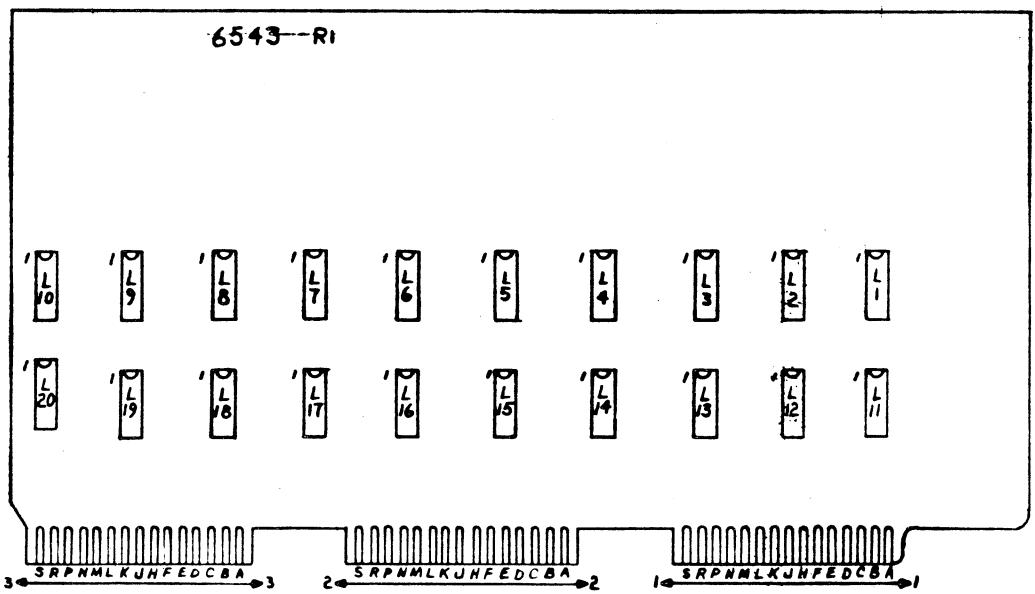
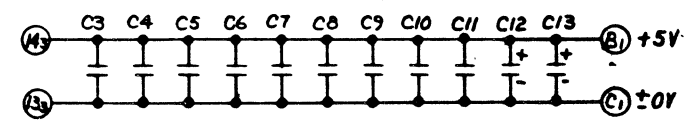
REV.	DATE	BY	CHKD.	APP.
1	7-22-74	F.S.S.	J.E.	
2	7-22-74	F.S.S.	J.E.	



COMPONENT	W.L. PART NO.
L4	325-1503
L7	325-9047
C1	300-2115
C2	300-1900
C3-11,14,15	300-1903
C12,13	300-4022
R41	330-3033
R58	330-3022
R27	- 2010
R1-3,22,37	- 2018
R11-13,24-26,29-31	- 2022
R4-6,20,21,23,32,40	- 2033
R4-10, 59	- 3010
R30,39	- 3047
R19,28-36,40	330-4010

Terminal	Signal	Terminal	Signal
1	IB5	19	OB1
2	IB6	20	OB2
3	IB7	21	OB3
4	IB8	22	OB4
5	IB9	23	OB5
6	IB10	24	OB6
7	IB11	25	OB7
8	IB12	26	OB8
9	IB13	27	OB9
10	PRIME	28	AB6
11	BSY	29	AB7
12	DN3	30	AB8
13	ENABLE	31	OBS
14		32	KBD
15		33	±0V
16		34	±0V
17		35	±0V
18		36	

SIGNAL-TERMINAL DESIGNATIONS, VIEW FROM BOTTOM (WIRING) SIDE OF CONNECTOR



COMPONENT LAYOUT

W.L. PART NO.	LOCATION	TERM. NO. ±0V	TERM. NO. Vcc+5V
376-0139	L1,2	7	14
-0028	L3,11,12	7	14
-0005	L5	11	14
-0056	L6,7,9,10	7	14
-0051	LB 20	7	14
-0148	L13,14	7	14
-0081	L15	7	14
-0006	L16	7	14
-0002	L17	7	14
-0010	L18	7	14
376-0093	L19	7	14

I.C. VOLTAGE

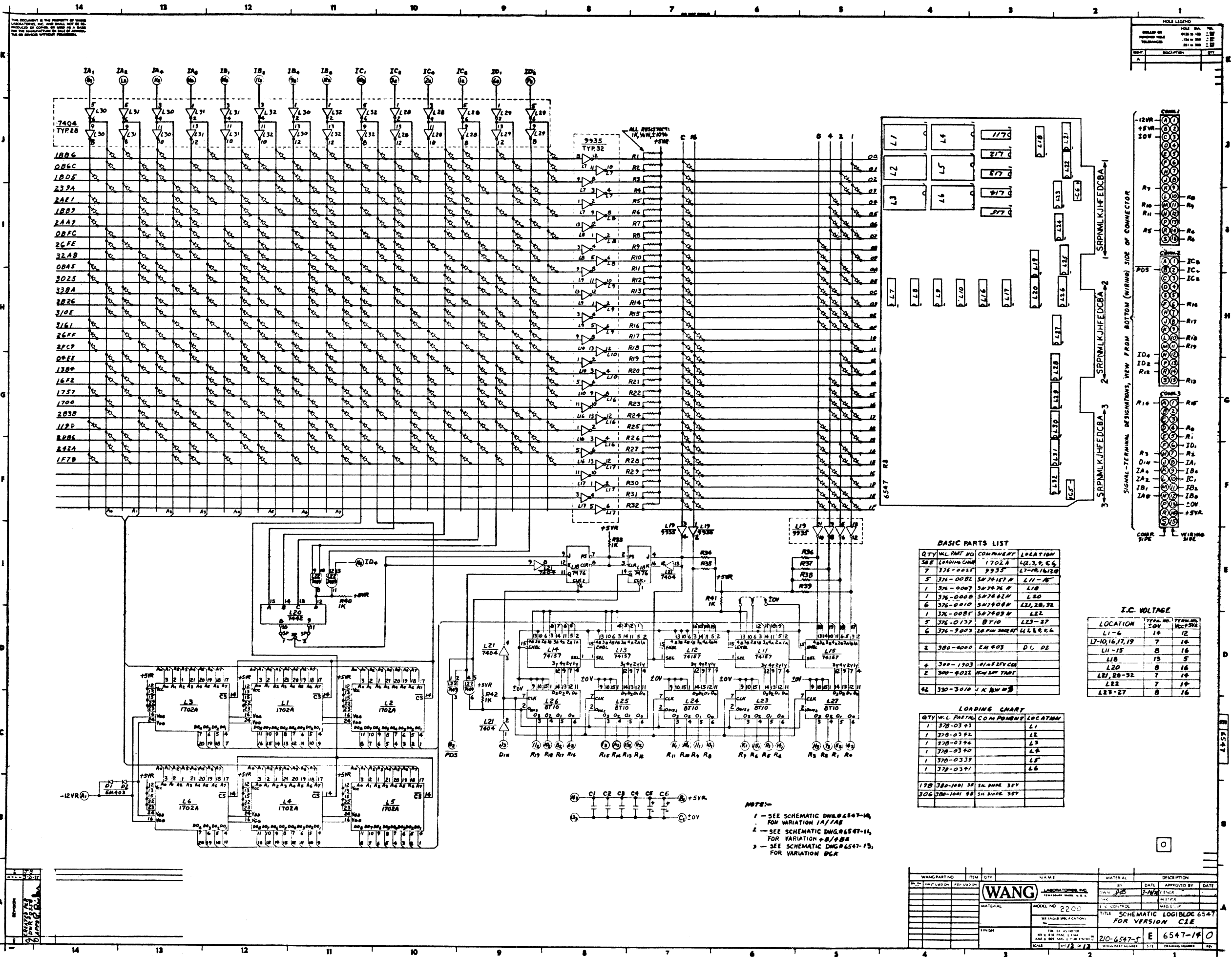
REVISION	DESCRIPTION	DATE
1	CHANGED PER RFA-0916 PLUS ADDENDUM TO RFA-0916 APPD. 1/10/74	1-10-74
2	CHANGED PER DCA-0082 APP. D. 1/10/74	1-10-74
3	REVISED PER RFA-0916 APPD. 1/10/74	1-10-74
4	REVISED PER RFA-0916 APPD. 1/10/74	1-10-74
5	REVISED PER RFA-0916 APPD. 1/10/74	1-10-74
6	REVISED PER RFA-0916 APPD. 1/10/74	1-10-74
7	REVISED PER RFA-0916 APPD. 1/10/74	1-10-74
8	REVISED PER RFA-0916 APPD. 1/10/74	1-10-74
9	REVISED PER RFA-0916 APPD. 1/10/74	1-10-74
10	REVISED PER RFA-0916 APPD. 1/10/74	1-10-74

WANG LABORATORIES INC.
TELECOMMUNICATIONS DIVISION

MODEL NO. 2224 DRAWN BY AK DATE 1/10/74

TITLE SCHEMATIC LOGIBLOC # 6543 DISK MULTIPLEXER CONTROL

SHT 4 OF 5



HOLE LEGEND

SIZE	DESCRIPTION	QTY
1/16"	DRILL	10
1/8"	DRILL	10
3/16"	DRILL	10
1/4"	DRILL	10
5/16"	DRILL	10
3/8"	DRILL	10
1/2"	DRILL	10
5/8"	DRILL	10
3/4"	DRILL	10
7/8"	DRILL	10
1"	DRILL	10

BASIC PARTS LIST

QTY	W.L. PART NO.	COMMENT	LOCATION
38E	LOADING CHART	1702A	L1, 3, 4, 5, 6
7	376-003F	9935	L7-M, 16, 19
5	376-008E	3N79157 N	L11-15
1	376-0007	3N7976 N	L10
1	376-0000	3N7962 N	L20
6	376-0010	3N7908 N	L21, 26, 32
1	376-008F	3N7909 N	L22
5	376-0157	BT10	L23-27
6	376-9003	2N3904	L4, L5, 6, 6, 6
2	380-0000	EM 403	D1, D2
4	380-1903	1N4148V COM	L10
2	380-4022	WALSH TAPT	L21, 26-32
42	380-3010	1K 1/4W 5%	L22-27

I.C. VOLTAGE

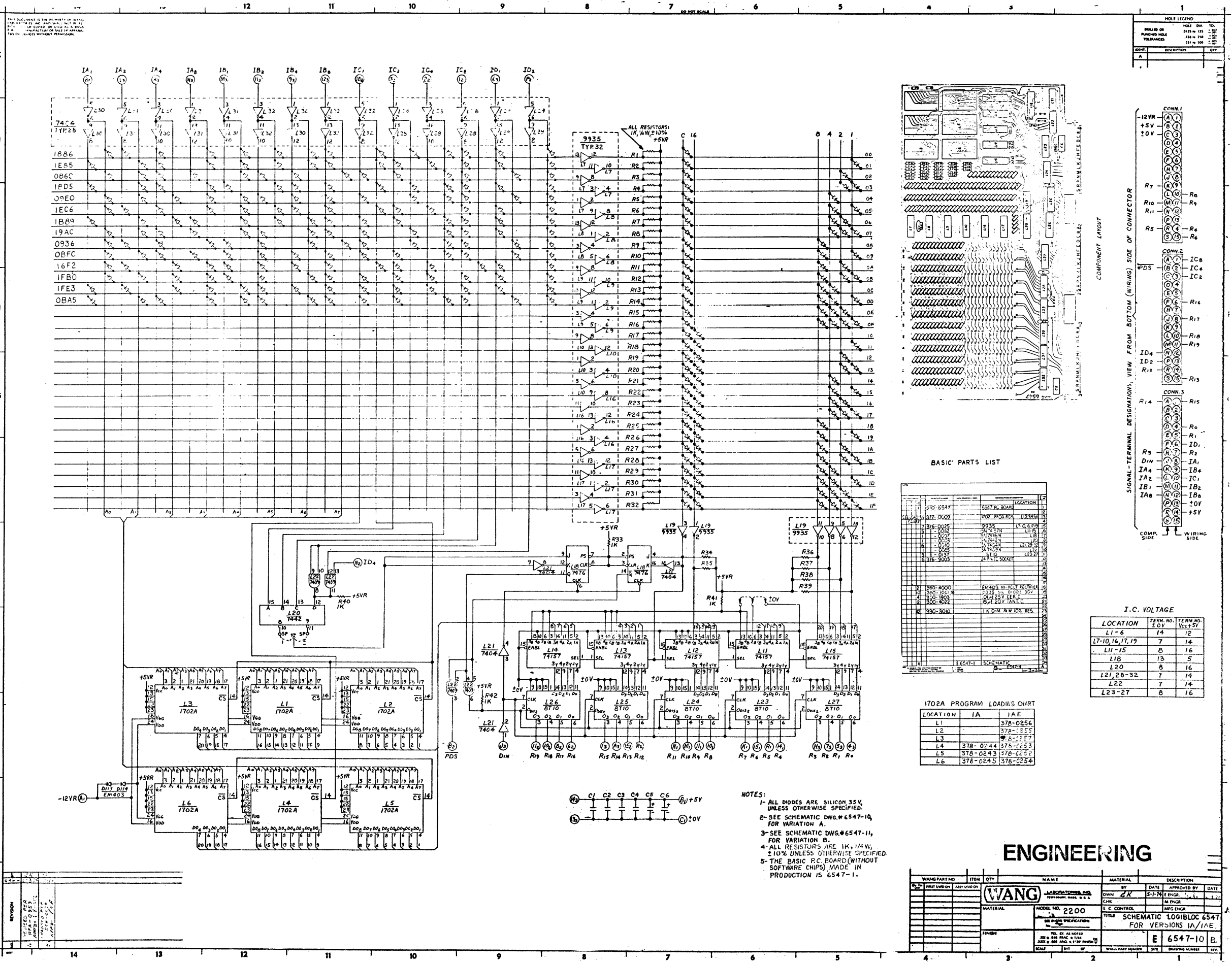
LOCATION	TYP. VOL.	TERMIN.
L1-6	14	12
L7-10, 16, 17, 19	7	16
L11-15	8	16
L10	15	5
L20	6	16
L21, 26-32	7	16
L22	7	16
L23-27	8	16

LOADING CHART

QTY	W.L. PART NO.	COMMENT	LOCATION
1	378-03+3		L1
1	378-03+2		L2
1	378-03+4		L3
1	378-03+0		L4
1	378-0339		L5
1	378-03+1		L6
178	380-1001 30	5K 1/4W 5%	
306	380-1001 40	5K 1/4W 5%	

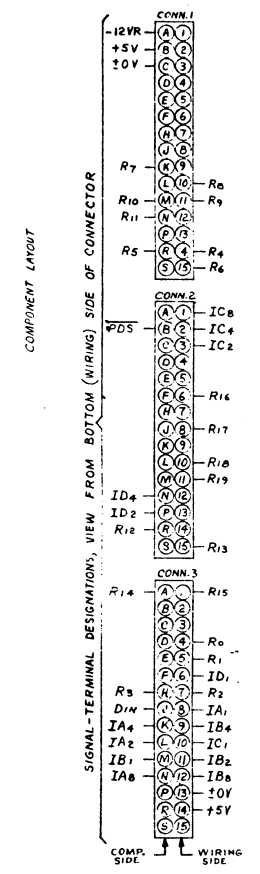
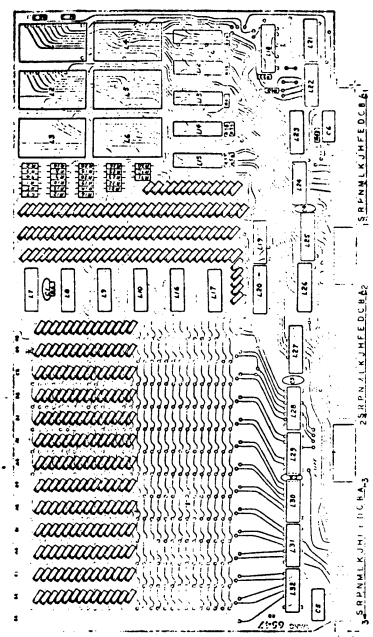
NOTE:-
 1 - SEE SCHEMATIC DWG. 6547-14, FOR VARIATION A/1A8
 2 - SEE SCHEMATIC DWG. 6547-11, FOR VARIATION +B/4B8
 3 - SEE SCHEMATIC DWG. 6547-13, FOR VARIATION 06K

WANG PART NO.	ITEM	QTY	NAME	MATERIAL	DESCRIPTION
2200	SCHEMATIC LOGIC BOARD 6547 FOR VERSION C1E				



HOLE LEGEND

DRILLED OR PUNCHED HOLE	HOLE DIA.	TOL.
1/16" - 1/8"	.015	±.002
1/8" - 1/4"	.010	±.002
1/4" - 3/8"	.008	±.002
3/8" - 1"	.006	±.002



BASIC PARTS LIST

QTY	DESCRIPTION	LOCATION
1	7404	L1-L6
1	74157	L7-L10
1	74158	L11-L14
1	7402	L15-L18
1	7403	L19-L22
1	7405	L23-L26
1	7406	L27-L30
1	7407	L31-L34
1	7408	L35-L38
1	7409	L39-L42
1	7410	L43-L46
1	7411	L47-L50
1	7412	L51-L54
1	7413	L55-L58
1	7414	L59-L62
1	7415	L63-L66
1	7416	L67-L70
1	7417	L71-L74
1	7418	L75-L78
1	7419	L79-L82
1	7420	L83-L86
1	7421	L87-L90
1	7422	L91-L94
1	7423	L95-L98
1	7424	L99-L102
1	7425	L103-L106
1	7426	L107-L110
1	7427	L111-L114
1	7428	L115-L118
1	7429	L119-L122
1	7430	L123-L126
1	7431	L127-L130
1	7432	L131-L134
1	7433	L135-L138
1	7434	L139-L142
1	7435	L143-L146
1	7436	L147-L150
1	7437	L151-L154
1	7438	L155-L158
1	7439	L159-L162
1	7440	L163-L166
1	7441	L167-L170
1	7442	L171-L174
1	7443	L175-L178
1	7444	L179-L182
1	7445	L183-L186
1	7446	L187-L190
1	7447	L191-L194
1	7448	L195-L198
1	7449	L199-L202
1	7450	L203-L206
1	7451	L207-L210
1	7452	L211-L214
1	7453	L215-L218
1	7454	L219-L222
1	7455	L223-L226
1	7456	L227-L230
1	7457	L231-L234
1	7458	L235-L238
1	7459	L239-L242
1	7460	L243-L246
1	7461	L247-L250
1	7462	L251-L254
1	7463	L255-L258
1	7464	L259-L262
1	7465	L263-L266
1	7466	L267-L270
1	7467	L271-L274
1	7468	L275-L278
1	7469	L279-L282
1	7470	L283-L286
1	7471	L287-L290
1	7472	L291-L294
1	7473	L295-L298
1	7474	L299-L302
1	7475	L303-L306
1	7476	L307-L310
1	7477	L311-L314
1	7478	L315-L318
1	7479	L319-L322
1	7480	L323-L326
1	7481	L327-L330
1	7482	L331-L334
1	7483	L335-L338
1	7484	L339-L342
1	7485	L343-L346
1	7486	L347-L350
1	7487	L351-L354
1	7488	L355-L358
1	7489	L359-L362
1	7490	L363-L366
1	7491	L367-L370
1	7492	L371-L374
1	7493	L375-L378
1	7494	L379-L382
1	7495	L383-L386
1	7496	L387-L390
1	7497	L391-L394
1	7498	L395-L398
1	7499	L399-L402
1	7500	L403-L406

I.C. VOLTAGE

LOCATION	TERM. NO.	TERM. NO.
L1-6	20V	14
L7-10, 16, 17, 19	7	14
L11-15	8	16
L18	13	5
L20	8	16
L21, 23-32	7	14
L22	7	14
L23-27	8	16

1702A PROGRAM LOADING CHART

LOCATION	IA	IAE
L1		378-0256
L2		378-2255
L3		378-2257
L4	378-0244	378-2253
L5	378-0243	378-2252
L6	378-0245	378-0254

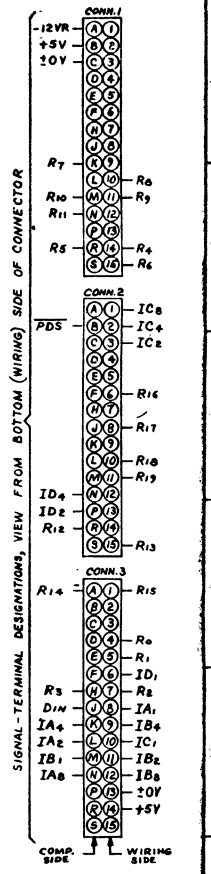
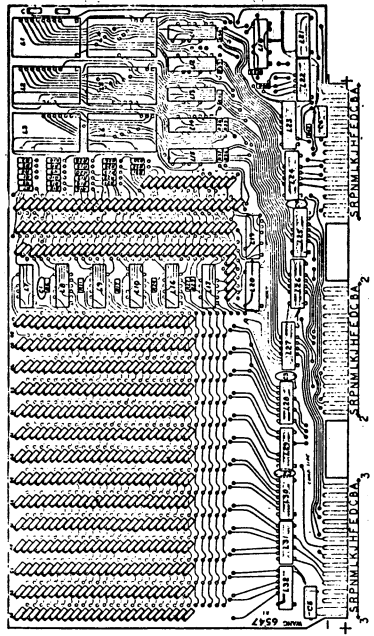
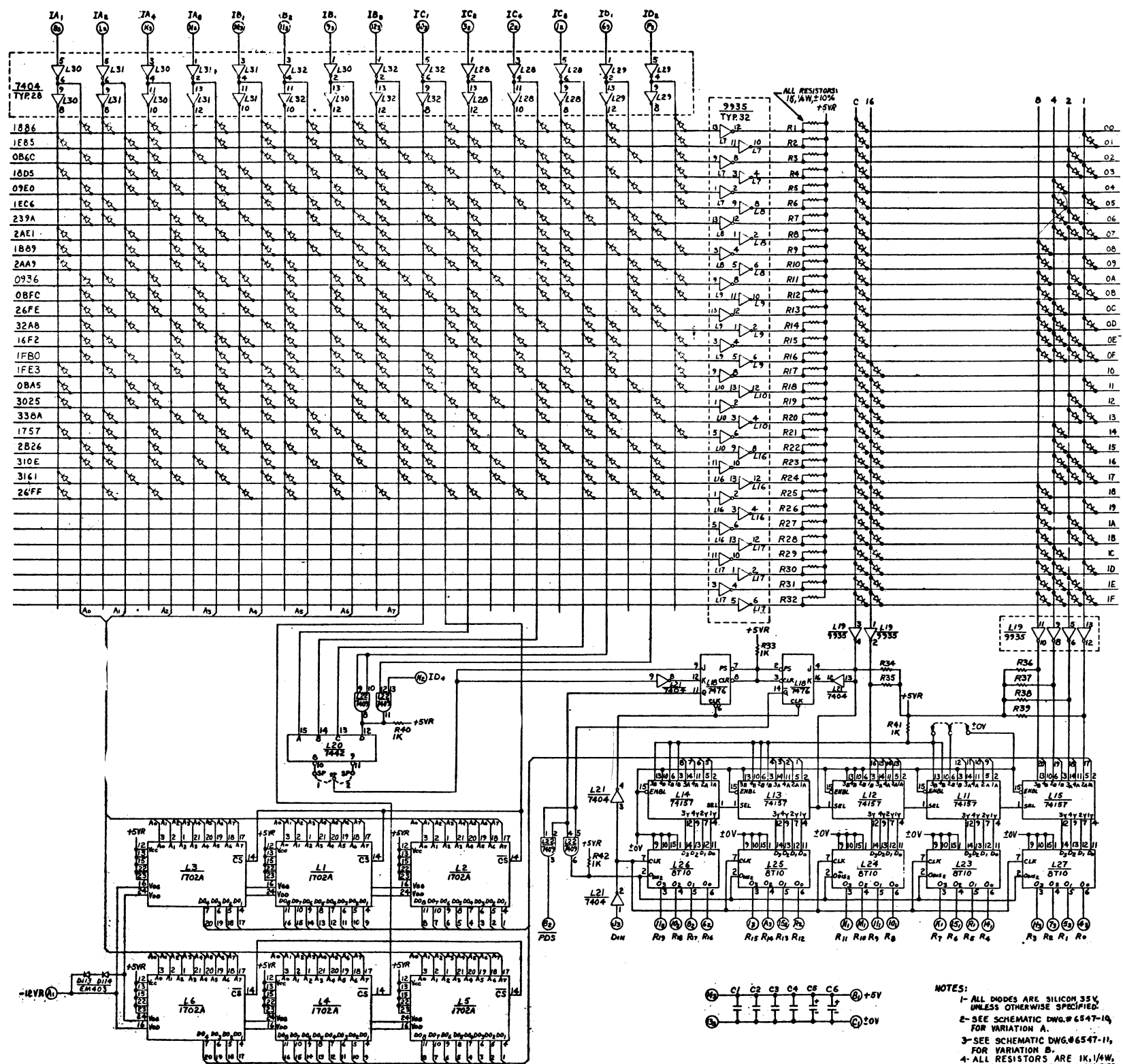
- NOTES:
- 1- ALL DIODES ARE SILICON 35V, UNLESS OTHERWISE SPECIFIED.
 - 2- SEE SCHEMATIC DWG. # 6547-10, FOR VARIATION A.
 - 3- SEE SCHEMATIC DWG. # 6547-11, FOR VARIATION B.
 - 4- ALL RESISTORS ARE 1K, 1/4W, ±10% UNLESS OTHERWISE SPECIFIED.
 - 5- THE BASIC P.C. BOARD (WITHOUT SOFTWARE CHIPS) MADE IN PRODUCTION IS 6547-1.

ENGINEERING

WANG PART NO.	ITEM	QTY	NAME	MATERIAL	DESCRIPTION
378-0256	1	1	IA	378-0256	IA
378-2255	1	1	IAE	378-2255	IAE
378-0244	1	1	IA	378-0244	IA
378-0243	1	1	IAE	378-0243	IAE
378-0245	1	1	IA	378-0245	IA
378-0254	1	1	IAE	378-0254	IAE

STATEMENT OF THE PROPERTY OF WANG
ALL RIGHTS RESERVED. THIS DRAWING IS THE
PROPERTY OF WANG AND SHALL NOT BE REPRODUCED
OR TRANSMITTED IN ANY FORM OR BY ANY MEANS
ELECTRONIC OR MECHANICAL, INCLUDING PHOTOCOPYING,
RECORDING, OR BY ANY INFORMATION STORAGE AND RETRIEVAL
SYSTEM, WITHOUT PERMISSION.

HOLE LEGEND		
DRILL OR PUNCHING SIZE	HOLE DIA.	TYP.
.125	.125	1.00
.1875	.1875	1.00
.250	.250	1.00
QTY	DESCRIPTION	QTY
1	A	1



BASIC PARTS LIST

QTY	DESCRIPTION	LOCATION
1	510-5457	ICAT K BOARD
1	510-5458	ICAT K BOARD
1	510-5459	ICAT K BOARD
1	510-5460	ICAT K BOARD
1	510-5461	ICAT K BOARD
1	510-5462	ICAT K BOARD
1	510-5463	ICAT K BOARD
1	510-5464	ICAT K BOARD
1	510-5465	ICAT K BOARD
1	510-5466	ICAT K BOARD
1	510-5467	ICAT K BOARD
1	510-5468	ICAT K BOARD
1	510-5469	ICAT K BOARD
1	510-5470	ICAT K BOARD
1	510-5471	ICAT K BOARD
1	510-5472	ICAT K BOARD
1	510-5473	ICAT K BOARD
1	510-5474	ICAT K BOARD
1	510-5475	ICAT K BOARD
1	510-5476	ICAT K BOARD
1	510-5477	ICAT K BOARD
1	510-5478	ICAT K BOARD
1	510-5479	ICAT K BOARD
1	510-5480	ICAT K BOARD
1	510-5481	ICAT K BOARD
1	510-5482	ICAT K BOARD
1	510-5483	ICAT K BOARD
1	510-5484	ICAT K BOARD
1	510-5485	ICAT K BOARD
1	510-5486	ICAT K BOARD
1	510-5487	ICAT K BOARD
1	510-5488	ICAT K BOARD
1	510-5489	ICAT K BOARD
1	510-5490	ICAT K BOARD
1	510-5491	ICAT K BOARD
1	510-5492	ICAT K BOARD
1	510-5493	ICAT K BOARD
1	510-5494	ICAT K BOARD
1	510-5495	ICAT K BOARD
1	510-5496	ICAT K BOARD
1	510-5497	ICAT K BOARD
1	510-5498	ICAT K BOARD
1	510-5499	ICAT K BOARD
1	510-5500	ICAT K BOARD

LOCATION	TERM. NO.	TERM. NO.	TERM. NO.
L1-6	14	12	14
L7-10,14,17,19	7	14	14
L11-15	8	16	16
L16	13	5	16
L20	8	16	16
L21,28-32	7	14	14
L22	7	14	14
L23-27	8	16	16

LOCATION	B4	B4E
L1	378-0294	
L2	378-0293	
L3	378-0295	
L4	378-0288	378-0291
L5	378-0287	378-0290
L6	378-0289	378-0292

- NOTES:
- 1- ALL DIODES ARE SILICON 35V UNLESS OTHERWISE SPECIFIED
 - 2- SEE SCHEMATIC DWG. 6547-14 FOR VARIATION A.
 - 3- SEE SCHEMATIC DWG. 6547-11, FOR VARIATION B.
 - 4- ALL RESISTORS ARE 1K, 1/4W, ±10% UNLESS OTHERWISE SPECIFIED.
 - 5 THE BASIC PCB BOARD (WITHOUT SOFTWARE CHIPS) MADE IN PRODUCTION IS 6547-3

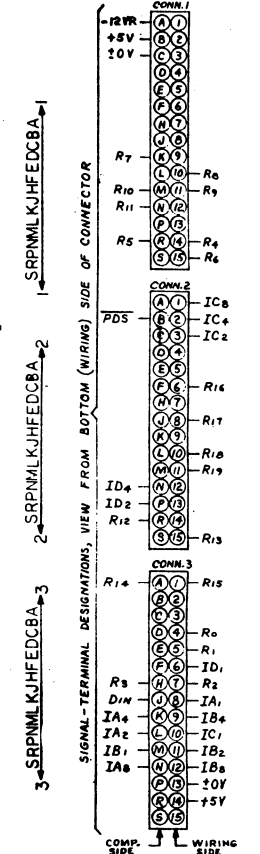
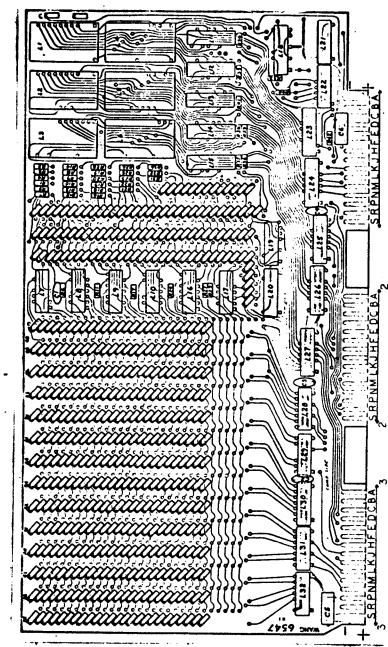
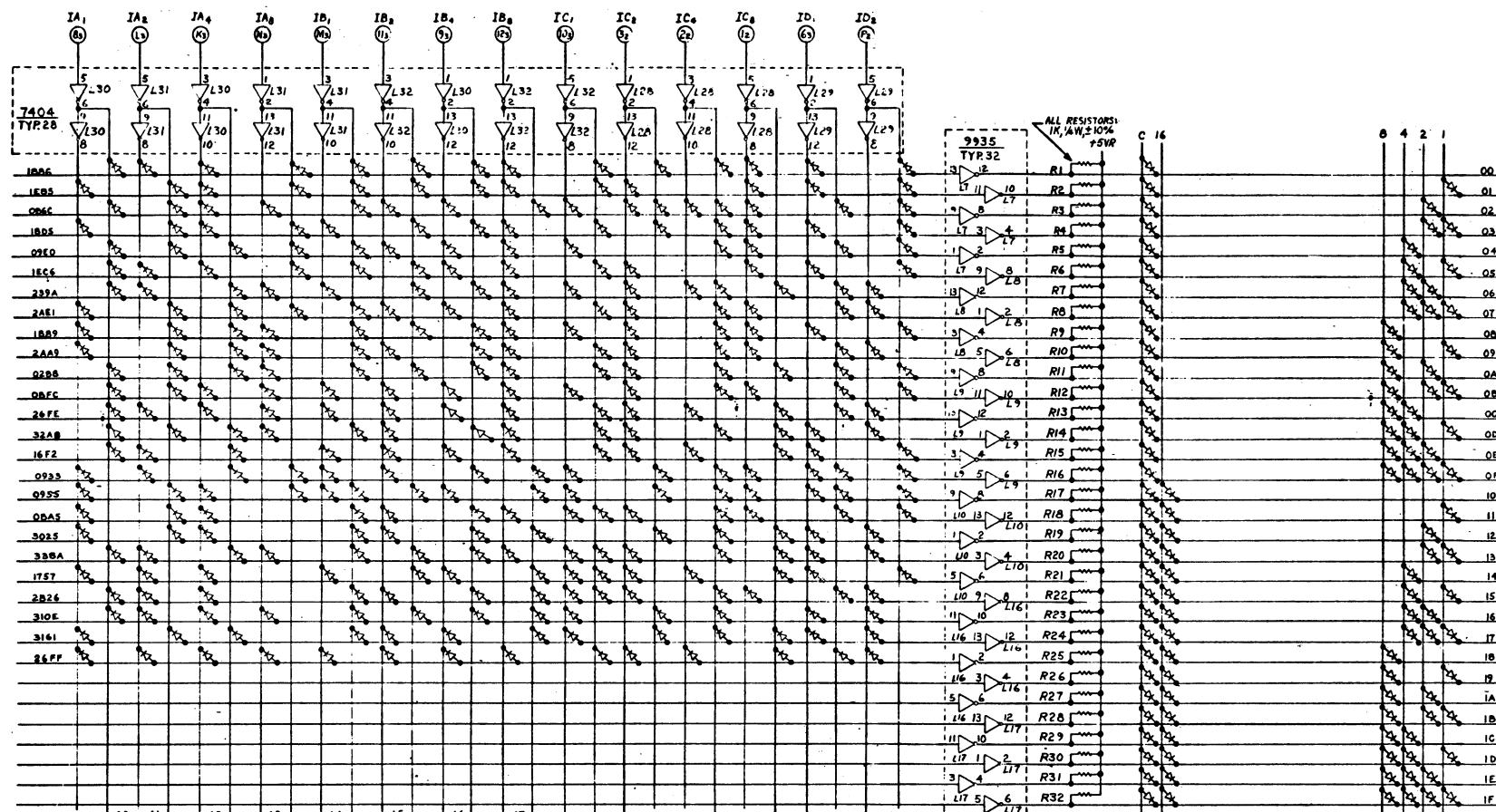
ENGINEERING

WANG PART NO.	ITEM	QTY	NAME	MATERIAL	DESCRIPTION
510-5457	1	1	ICAT K BOARD	WANG	ICAT K BOARD
510-5458	1	1	ICAT K BOARD	WANG	ICAT K BOARD
510-5459	1	1	ICAT K BOARD	WANG	ICAT K BOARD
510-5460	1	1	ICAT K BOARD	WANG	ICAT K BOARD
510-5461	1	1	ICAT K BOARD	WANG	ICAT K BOARD
510-5462	1	1	ICAT K BOARD	WANG	ICAT K BOARD
510-5463	1	1	ICAT K BOARD	WANG	ICAT K BOARD
510-5464	1	1	ICAT K BOARD	WANG	ICAT K BOARD
510-5465	1	1	ICAT K BOARD	WANG	ICAT K BOARD
510-5466	1	1	ICAT K BOARD	WANG	ICAT K BOARD
510-5467	1	1	ICAT K BOARD	WANG	ICAT K BOARD
510-5468	1	1	ICAT K BOARD	WANG	ICAT K BOARD
510-5469	1	1	ICAT K BOARD	WANG	ICAT K BOARD
510-5470	1	1	ICAT K BOARD	WANG	ICAT K BOARD
510-5471	1	1	ICAT K BOARD	WANG	ICAT K BOARD
510-5472	1	1	ICAT K BOARD	WANG	ICAT K BOARD
510-5473	1	1	ICAT K BOARD	WANG	ICAT K BOARD
510-5474	1	1	ICAT K BOARD	WANG	ICAT K BOARD
510-5475	1	1	ICAT K BOARD	WANG	ICAT K BOARD
510-5476	1	1	ICAT K BOARD	WANG	ICAT K BOARD
510-5477	1	1	ICAT K BOARD	WANG	ICAT K BOARD
510-5478	1	1	ICAT K BOARD	WANG	ICAT K BOARD
510-5479	1	1	ICAT K BOARD	WANG	ICAT K BOARD
510-5480	1	1	ICAT K BOARD	WANG	ICAT K BOARD
510-5481	1	1	ICAT K BOARD	WANG	ICAT K BOARD
510-5482	1	1	ICAT K BOARD	WANG	ICAT K BOARD
510-5483	1	1	ICAT K BOARD	WANG	ICAT K BOARD
510-5484	1	1	ICAT K BOARD	WANG	ICAT K BOARD
510-5485	1	1	ICAT K BOARD	WANG	ICAT K BOARD
510-5486	1	1	ICAT K BOARD	WANG	ICAT K BOARD
510-5487	1	1	ICAT K BOARD	WANG	ICAT K BOARD
510-5488	1	1	ICAT K BOARD	WANG	ICAT K BOARD
510-5489	1	1	ICAT K BOARD	WANG	ICAT K BOARD
510-5490	1	1	ICAT K BOARD	WANG	ICAT K BOARD
510-5491	1	1	ICAT K BOARD	WANG	ICAT K BOARD
510-5492	1	1	ICAT K BOARD	WANG	ICAT K BOARD
510-5493	1	1	ICAT K BOARD	WANG	ICAT K BOARD
510-5494	1	1	ICAT K BOARD	WANG	ICAT K BOARD
510-5495	1	1	ICAT K BOARD	WANG	ICAT K BOARD
510-5496	1	1	ICAT K BOARD	WANG	ICAT K BOARD
510-5497	1	1	ICAT K BOARD	WANG	ICAT K BOARD
510-5498	1	1	ICAT K BOARD	WANG	ICAT K BOARD
510-5499	1	1	ICAT K BOARD	WANG	ICAT K BOARD
510-5500	1	1	ICAT K BOARD	WANG	ICAT K BOARD

THIS DOCUMENT IS THE PROPERTY OF WANG LABORATORIES, INC. AND SHALL BE LOANED TO YOU BY THE MANUFACTURER OF THE EQUIPMENT TO WHICH IT IS APPLIED. IT IS TO BE RETURNED TO WANG LABORATORIES, INC. UPON THE COMPLETION OF THE PROJECT FOR WHICH IT WAS LOANED. IT IS NOT TO BE REPRODUCED OR COPIED OR USED AS A BASIS FOR THE MANUFACTURE OF SALE OF ANYTHING OR DEVICE WITHOUT PERMISSION.

HOLE LEGEND

DRILL OR PUNCHED HOLE	HOLE DIA.	TOL.
1/16" DIA.	.125	±.005
1/8" DIA.	.125	±.005
3/16" DIA.	.125	±.005



BASIC PARTS LIST

QTY	ITEM NO.	DESCRIPTION	LOCATION
1	7404	INVERTER	L1-L7
1	9335	NAND GATE	L8-L14
1	1702A	CMOS INVERTER	L15-L21
1	7417	MONOSTABLE MULTIVIBRATOR	L22
1	7418	BISTABLE MULTIVIBRATOR	L23
1	7419	MONOSTABLE MULTIVIBRATOR	L24
1	7420	BISTABLE MULTIVIBRATOR	L25
1	7421	MONOSTABLE MULTIVIBRATOR	L26
1	7422	BISTABLE MULTIVIBRATOR	L27

I.C. VOLTAGE

LOCATION	TERM. NO.	TERM. NO.	TERM. NO.
L1-5	14	12	
L7-10, 16-19	7	14	
L11-15	8	16	
L18	13	5	
L20	8	16	
L21, 26-32	7	14	
L22	7	14	
L23-27	8	16	

I702A PROGRAM LOADING CHART

LOCATION	BSK
L1	378-0300
L2	378-0299
L3	378-0301
L4	378-0297
L5	378-0296
L6	378-0298

- NOTES:
- 1- ALL DIODES ARE SILICON 35V, UNLESS OTHERWISE SPECIFIED.
 - 2- SEE SCHEMATIC DWG. # 6547-19 FOR VARIATION A.
 - 3- SEE SCHEMATIC DWG. # 6547-11, FOR VARIATION B.
 - 4- ALL RESISTORS ARE 1K-1/4 W, 5% UNLESS OTHERWISE SPECIFIED.
 - 5- THE BASIC P.C. BOARD (WITHOUT SOFTWARE CHIPS) MADE IN PRODUCTION IS 6547-4.

ENGINEERING

WANG PART NO.	ITEM	QTY	NAME	MATERIAL	DESCRIPTION
			WANG		
			MODEL NO. 2200		
					TITLE SCHEMATIC LOGIBLOC 6547 FOR VERSION BSK
					E 6547-12 A

6

5

4

DO NOT SCALE

3

2

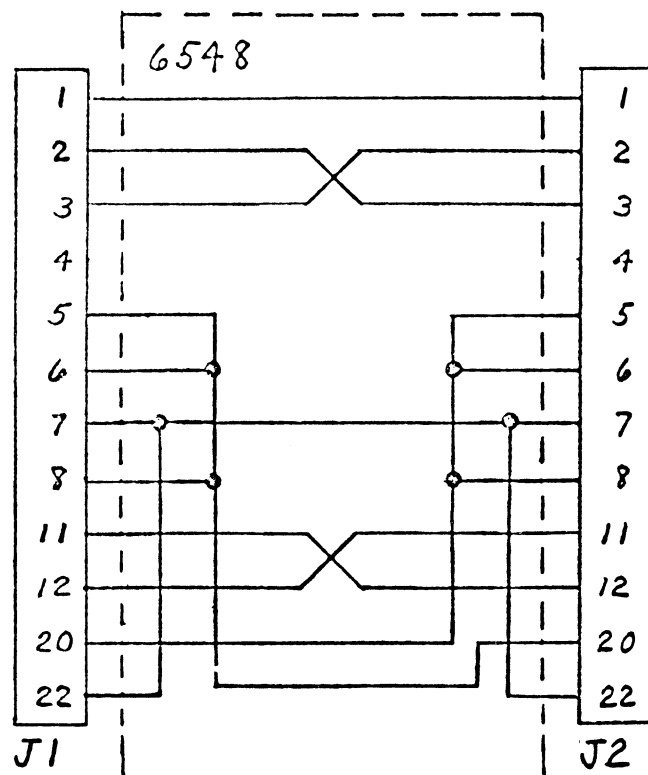
1

HOLE LEGEND

DRILLED OR	HOLE DIA.	TOL.
PUNCHED HOLE	.0135 to .125	+ .003 - .001
TOLERANCES:	.126 to .250	+ .004 - .001
	.251 to .500	+ .005 - .001

IDENT.	DESCRIPTION	QTY.
A		

CHASSIS GND
XMT DATA
RCV DATA
REQ TO SEND
CLEAR TO SEND
DATA SET READY
SIGNAL GND
CARRIER DET
SUP. XMT
SUP. RCV
DATA TERM. READY
RING



WANG LABORATORIES, INC.		PL 6548-4	A
DATE: 4/10/74		SHEET 1 OF 1 REV	
CHK: [Signature]		NULL MODEN JUNCTION	
QTY. PER DASH NO.	KEY	WANG PART NUMBER	WANG DRAWING NUMBER
	-4		
	1	510-6548	6548 PC BOARD
	2	350-1031	DB-25S CH CONN 6000 SERIES
SYM	REVISION DESCRIPTION	DATE	APPROVED
* VENDOR ITEM FOR PROCUREMENT OR PART NUMBER SEE SPECIFICATION CONTROL OR SOURCE CONTROL DRAWING		MODEL 2227 N	
P - PEEK I - INCHES M - METRIC		PL 6548-4	

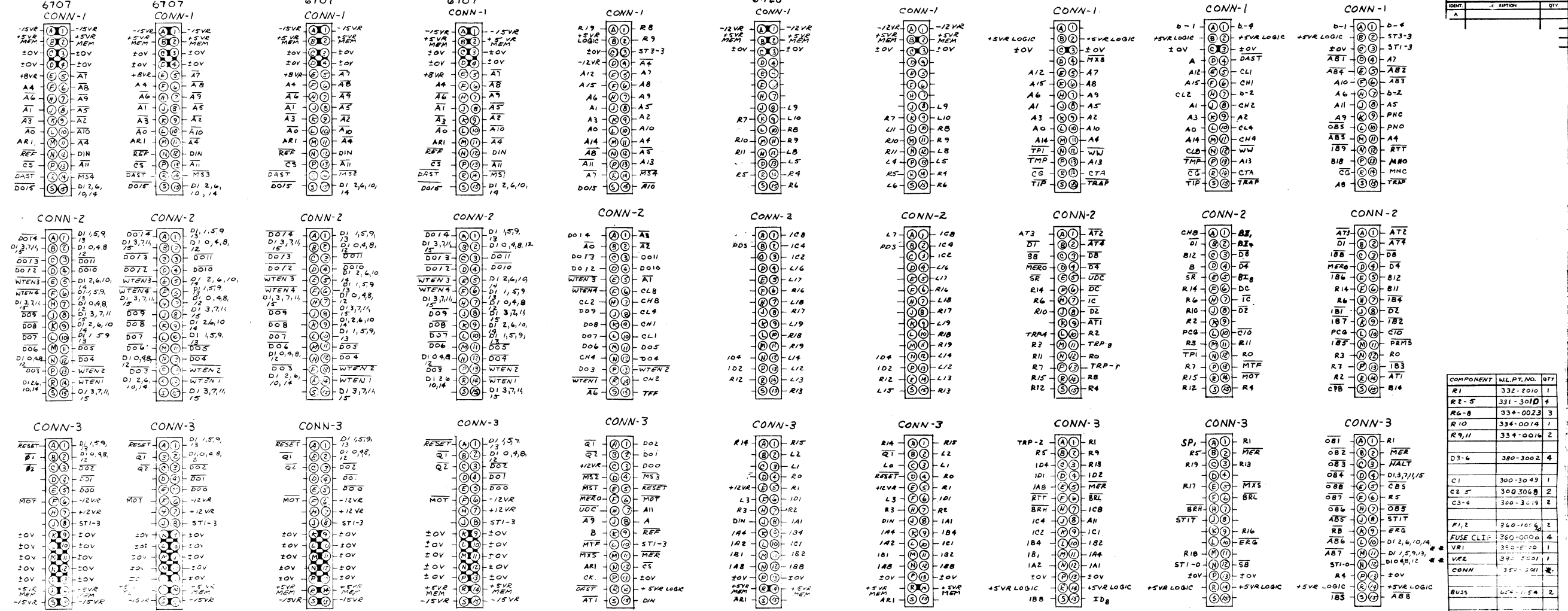
NO.	REVISION	DATE	BY

WANG PART NO.	ITEM	QTY.	NAME	MATERIAL	DESCRIPTION
			WANG LABORATORIES, INC. TEWKSBURY, MASS. U. S. A.		
			MATERIAL	MODEL NO. 2227-N	
				SEE ENGRG SPECIFICATIONS No. _____	TITLE WIRING DIAGRAM NULL MODEN JUNCTION
			FINISH	TOL. EX. AS NOTED .XX ± .010 FRAC. ± 1/64 .XXX ± .005 ANG. ± 1°30' FINISH ✓	
			SCALE	SHT / OF /	WANG PART NUMBER
					SIZE
					DRAWING NUMBER
					REV.

B 6548-1 0

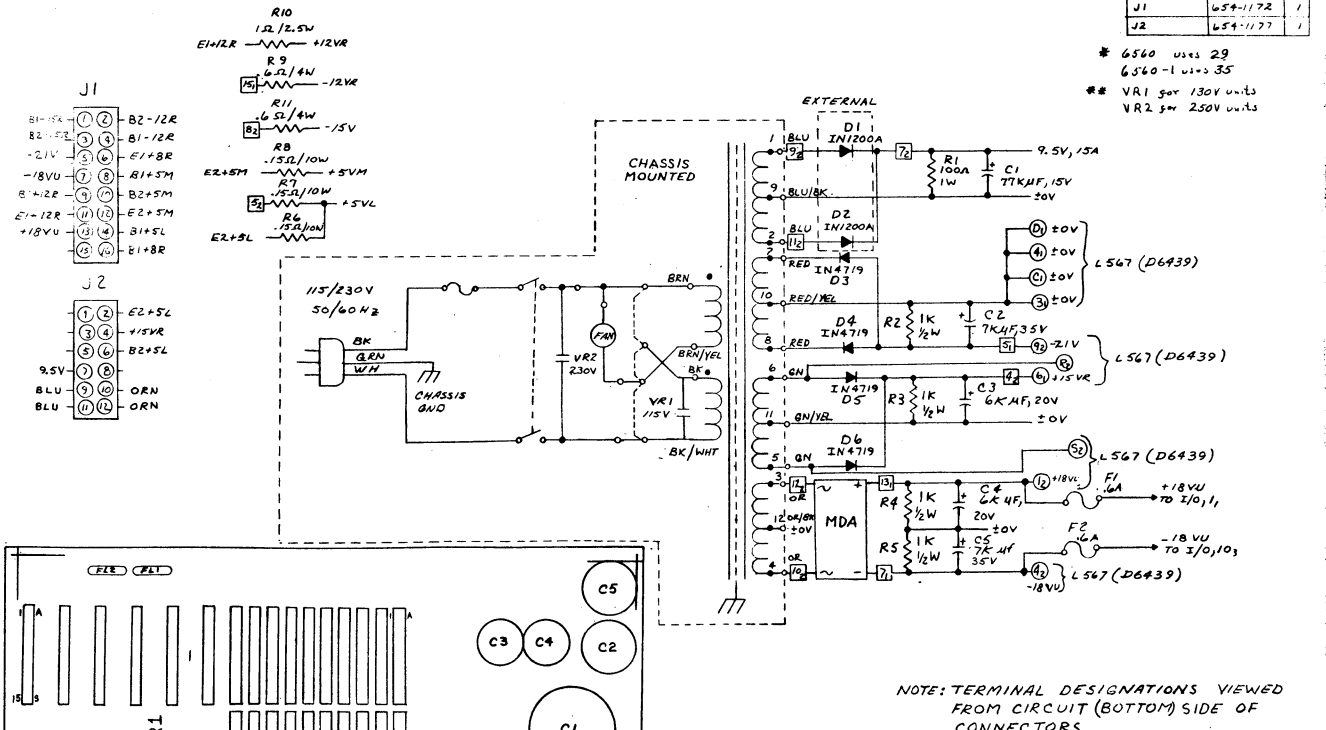
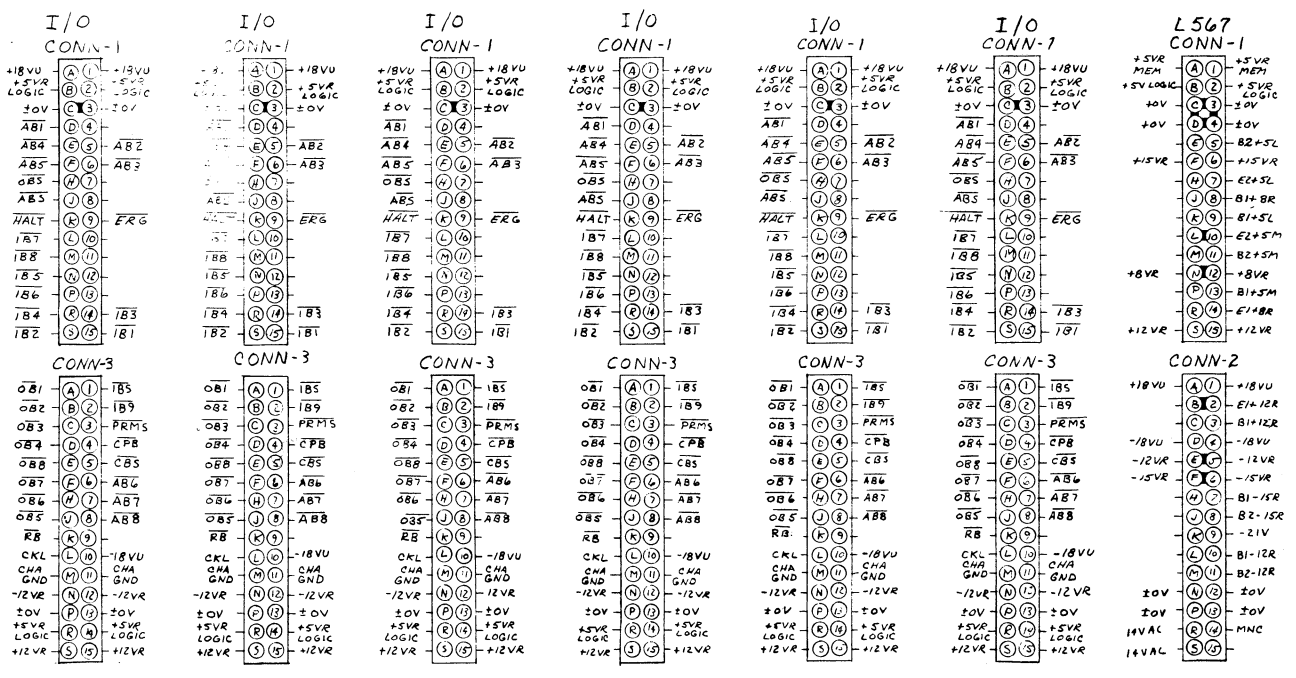
THIS DOCUMENT IS THE PROPERTY OF WANG LABORATORIES, INC. AND SHALL NOT BE REPRODUCED OR COPIED OR USED AS A BASIS FOR THE MANUFACTURE OR SALE OF APPARATUS OR DEVICES WITHOUT PERMISSION.

HOLE LEGEND		HOLE DIA.	TOL.
DRILLED OR PUNCHING HOLE		.125 to .135	±.002
		.135 to .200	±.003
		.200 to .300	±.004
		.300 to .500	±.005
IDENT.	LOCATION	QTY.	
A			

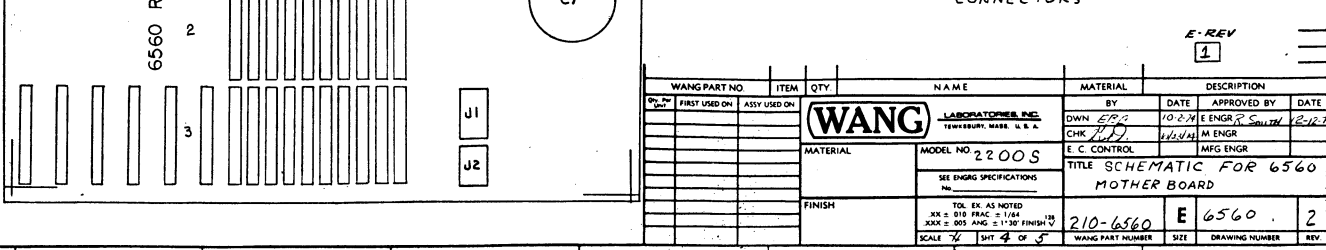


COMPONENT	QTY.	REF. NO.	QTY.
R1	1	332-2010	1
R2-5	4	331-3010	4
R6-8	3	334-0023	3
R10	1	334-0014	1
R9,11	2	334-0016	2
D3-6	4	380-3002	4
C1	1	300-3049	1
C2-5	2	300-3068	2
C3-4	2	300-3019	2
F1,2	2	360-1016	2
FUSE CLIP	4	360-0000	4
VR1	1	380-5010	1
VR2	1	380-5001	1
CONN	2	350-0011	2
BUS5	2	654-1124	2
J1	1	654-1172	1
J2	1	654-1177	1

* 6560 uses 29
 6560-1 uses 35
 VR1 get 130V units
 VR2 get 250V units



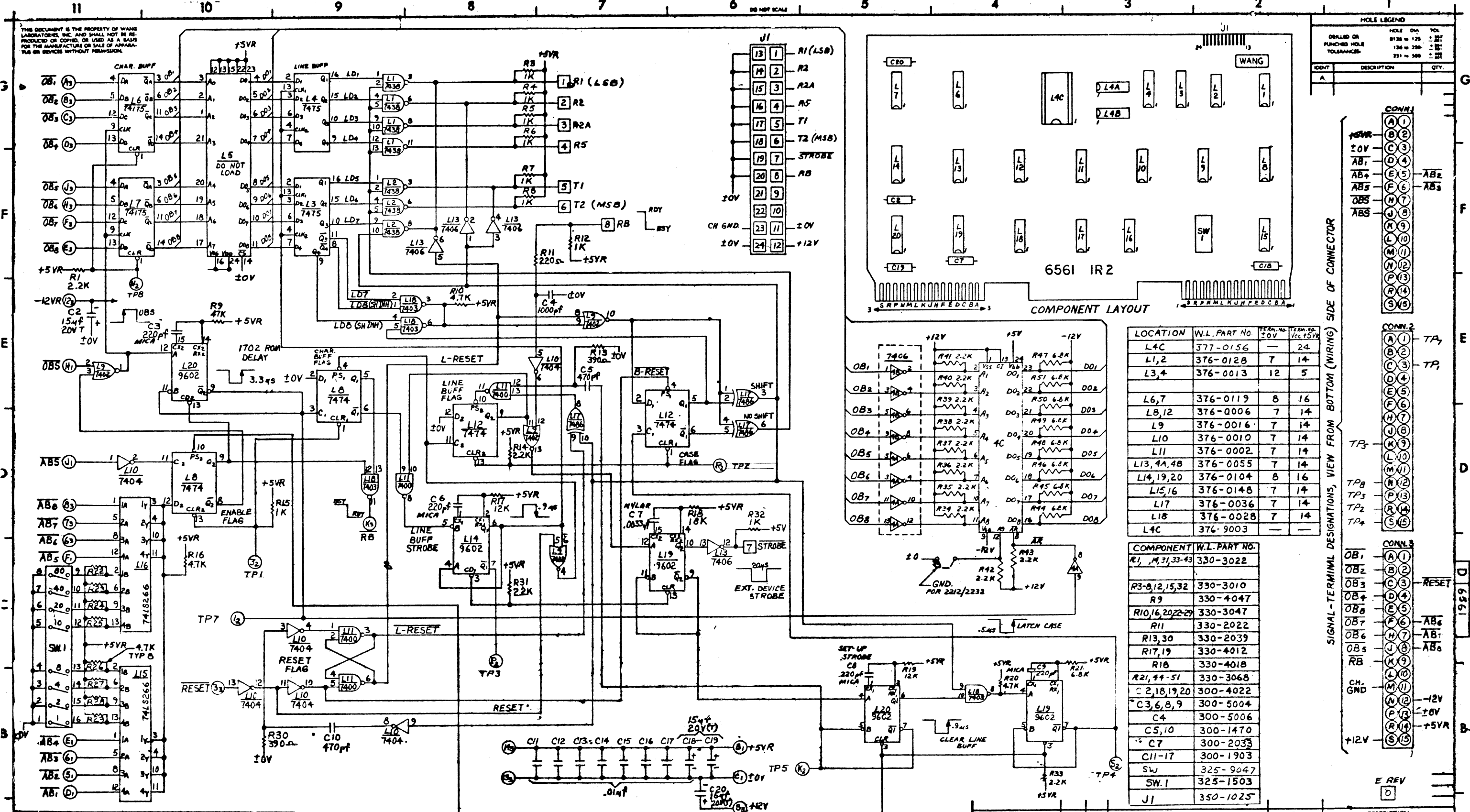
NOTE: TERMINAL DESIGNATIONS VIEWED FROM CIRCUIT (BOTTOM) SIDE OF CONNECTORS



WANG PART NO.	ITEM	QTY.	N.A.M.E.	MATERIAL	DESCRIPTION
	FIRST USED ON				
	ASSY USED ON				
WANG LABORATORIES, INC.					
MODEL NO. 2200S					
TITLE SCHEMATIC FOR 6560 MOTHER BOARD					
FINISH					
SCALE 1/8" = 1"					
DATE 10-2-74					
APPROVED BY E.C. CONTROL					
DATE 11/24/74					
DRAWING NUMBER 210-6560					
REV. 2					

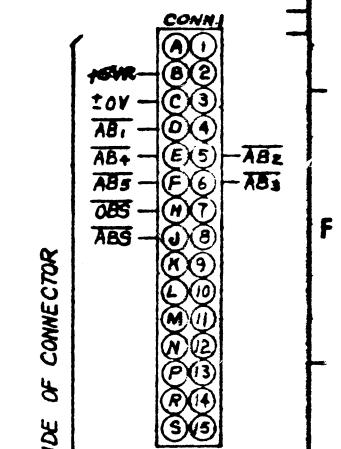
REV.	DESCRIPTION	DATE
1	REVISED PER APPR. 10-2-74	10-2-74
2	REVISED PER APPR. 11-2-74	11-2-74

THIS DOCUMENT IS THE PROPERTY OF WANG LABORATORIES, INC. AND SHALL NOT BE REPRODUCED OR COPIED, OR USED AS A BASIS FOR THE MANUFACTURE OR SALE OF APPARATUS OR DEVICES WITHOUT PERMISSION.



HOLE LEGEND		
DRILLED OR PUNCHED HOLE TOLERANCES:	HOLE DIA.	TOL.
	Ø1/16 to 1/2"	±.001
	1/8 to 3/8"	±.002
	3/4 to 1"	±.003

IDENT.	DESCRIPTION	QTY.
A		



LOCATION	W.L. PART NO.	TERM. NO. 20V	TERM. NO. Vcc±5V
L4C	377-0156	—	24
L1,2	376-0128	7	14
L3,4	376-0013	12	5
L6,7	376-0119	8	16
L8,12	376-0006	7	14
L9	376-0016	7	14
L10	376-0010	7	14
L11	376-0002	7	14
L13,4A,4B	376-0055	7	14
L14,19,20	376-0104	8	16
L15,16	376-0148	7	14
L17	376-0036	7	14
L18	376-0028	7	14
L4C	376-9003	—	—

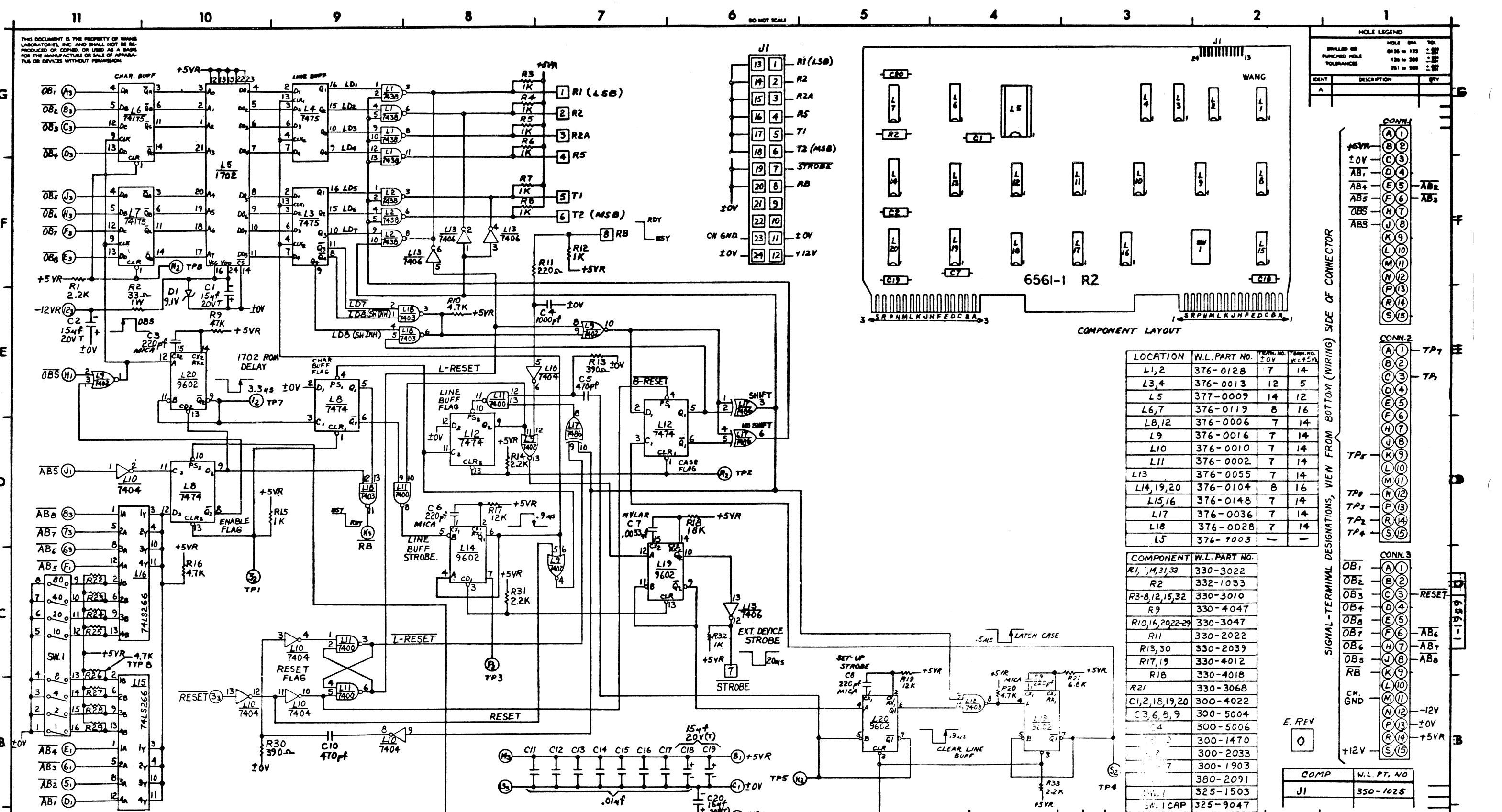
COMPONENT	W.L. PART NO.
R1, M,31,33-43	330-3022
R3-8,12,15,32	330-3010
R9	330-4047
R10,16,20,22-29	330-3047
R11	330-2022
R13,30	330-2039
R17,19	330-4012
R18	330-4018
R21,44-51	330-3068
C2,18,19,20	300-4022
C3,6,8,9	300-5004
C4	300-5006
C5,10	300-1470
C7	300-2033
C11-17	300-1903
SW.1	325-9047
SW.1	325-1503
J1	350-1025

WANG PART NO.	ITEM	QTY.	N.A.M.E.	MATERIAL	DESCRIPTION
2201	FIRST USED ON				
2202	ASSY USED ON				
2212					
2232					

BY	DATE	APPROVED BY	DATE
OWN	10-9-74	E ENGR	11-9-74
CHK		M ENGR	
E C CONTROL		MFG ENGR	

REVISION	DATE	BY	DESCRIPTION
1	10-9-74	W	CHANGED PER DCR-330
2	11-9-74	W	REVISED PER REV. RECD-4021
3	11-9-74	W	APP'D. BY

THIS DOCUMENT IS THE PROPERTY OF WANG LABORATORIES, INC. AND SHALL NOT BE REPRODUCED OR COPIED, OR USED AS A BASIS FOR THE MANUFACTURE OR SALE OF APPARATUS OR DEVICES WITHOUT PERMISSION.



HOLE LEGEND

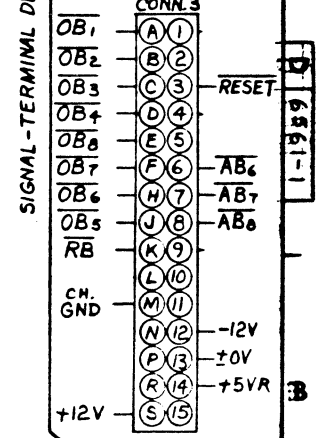
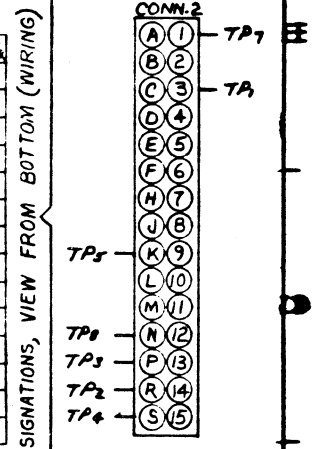
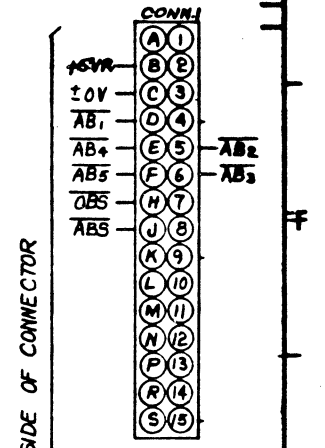
DRILLED OR PUNCHED HOLE TOLERANCE	HOLE DIA	TOL
Ø125 = 125	±.005	
Ø126 = 126	±.005	
Ø127 = 127	±.005	

LOCATION W.L. PART NO. TERM. NO. 20V TERM. NO. VCC+5V

L1,2	376-0128	7	14
L3,4	376-0013	12	5
L5	377-0009	14	12
L6,7	376-0119	8	16
LB,12	376-0006	7	14
L9	376-0016	7	14
L10	376-0010	7	14
L11	376-0002	7	14
L13	376-0055	7	14
L14,19,20	376-0104	8	16
L15,16	376-0148	7	14
L17	376-0036	7	14
L18	376-0028	7	14
L5	376-9003	-	-

COMPONENT W.L. PART NO.

R1,14,31,33	330-3022
R2	332-1033
R3-8,12,15,32	330-3010
R9	330-4047
R10,16,20,22-29	330-3047
R11	330-2022
R13,30	330-2039
R17,19	330-4012
R18	330-4018
R21	330-3068
C1,2,18,19,20	300-4022
C3,6,8,9	300-5004
C4	300-5006
C5	300-1470
C7	300-2033
C8	300-1903
C9	380-2091
SW.1	325-1503
SW.1 CAP	325-9047



E. REV
0

COMP W.L. PT. NO

J1	350-1025
----	----------

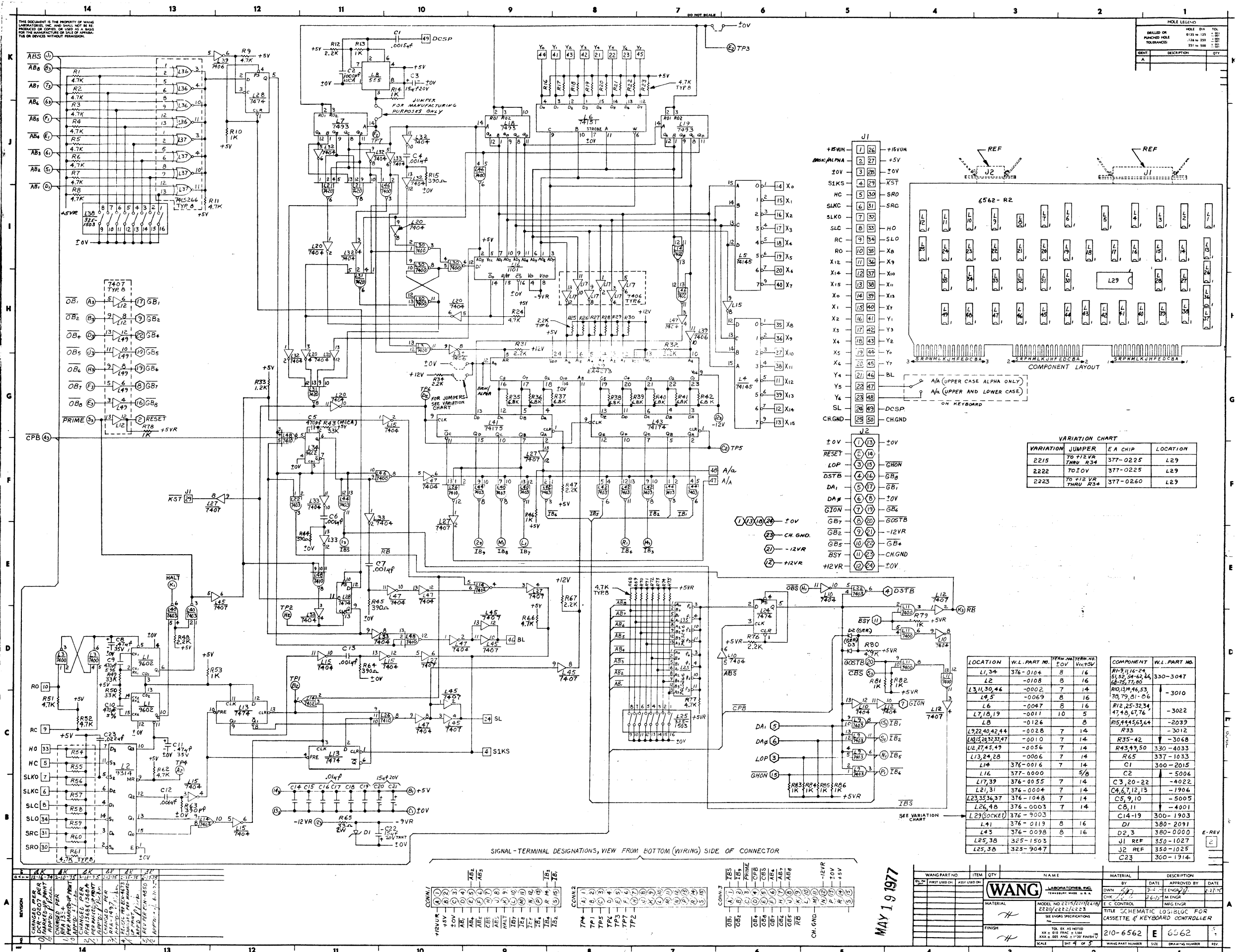
REVISION

REV	DATE	BY	DESCRIPTION
1	3-4-75	SK	CHANGED PER DCA-330
2	3-4-75	SK	REVISED PER RCA-1979
3	3-4-75	SK	REVISED PER ECU-4011
4	3-4-75	SK	REVISED PER APP-D

WANG PART NO	ITEM	QTY	NAME	MATERIAL	DESCRIPTION
210-6561-1	1	1	DOUBLE BUFFERED TYPewriter/PLOTTER		

BY	DATE	APPROVED BY	DATE
OWN	10-9-74	E ENGR	11-4-74
CHK	1-6-75	M ENGR	
E C CONTROL		MFG ENGR	

TITLE	SCALE	SHT	OF	REV
SCHEMATIC LOGIBLOC 6561 DOUBLE BUFFERED TYPewriter/PLOTTER		6	8	3



HOLE LEGEND

HOLE DIA.	TOL.
DRILLED OR PUNCH HOLE	±0.15
TOLERANCES	±0.25
	±0.50

VARIATION CHART

VARIATION	JUMPER	EA CHIP	LOCATION
2215	TO +12V THRU R34	377-0225	L29
2222	TO +10V	377-0225	L29
2223	TO +12V THRU R34	377-0260	L29

LOCATION	W.L. PART NO.	TERM. NO.	TERM. NO.	COMPONENT	W.L. PART NO.
L1, 34	376-0104	8	16	R19, 116, 24	330-3047
L2	-0108	8	16	51, 52, 54, 42, 44, 68, 75, 77, 80	-
L3, 11, 30, 46	-0002	7	14	R10, 13, 46, 53, 75, 79, 81-86	-3010
L4, 5	-0069	8	16	R12, 25, 32, 34, 47, 48, 67, 76	-3022
L6	-0047	8	16	R15, 44, 56, 64	-2039
L7, 18, 19	-0011	10	5	R33	-3012
L8	-0126	8	16	R35-42	-3068
L9, 22, 40, 42, 44	-0028	7	14	R43, 49, 50	330-4033
L10, 15, 20, 33, 47	-0010	7	14	R65	337-1033
L12, 27, 45, 49	-0056	7	14	C1	300-2015
L13, 24, 28	-0006	7	14	C2	-5006
L14	376-0016	7	14	C3, 20-22	-4022
L16	377-0000	5/8		C4, 6, 7, 12, 13	-1906
L17, 39	376-0055	7	14	C5, 9, 10	-5005
L21, 31	376-0004	7	14	C8, 11	-4001
L23, 35, 36, 37	376-1048	7	14	C14-19	300-1903
L26, 48	376-0003	7	14	D1	380-2091
L29 (SOCKET)	376-9003			D2, 3	380-0000
L41	376-0119	8	16	J1 REF	350-1027
L43	376-0098	8	16	J2 REF	350-1025
L85, 38	325-1503			C23	300-1914
L25, 36	325-9047				

WANG LABORATORIES, INC.

MODEL NO. 210-6562

TITLE: SCHEMATIC LOG-LOGIC FOR CASSETTE & KEYBOARD CONTROLLER

DATE: 2-27-76

SCALE: 1/8" = 1"

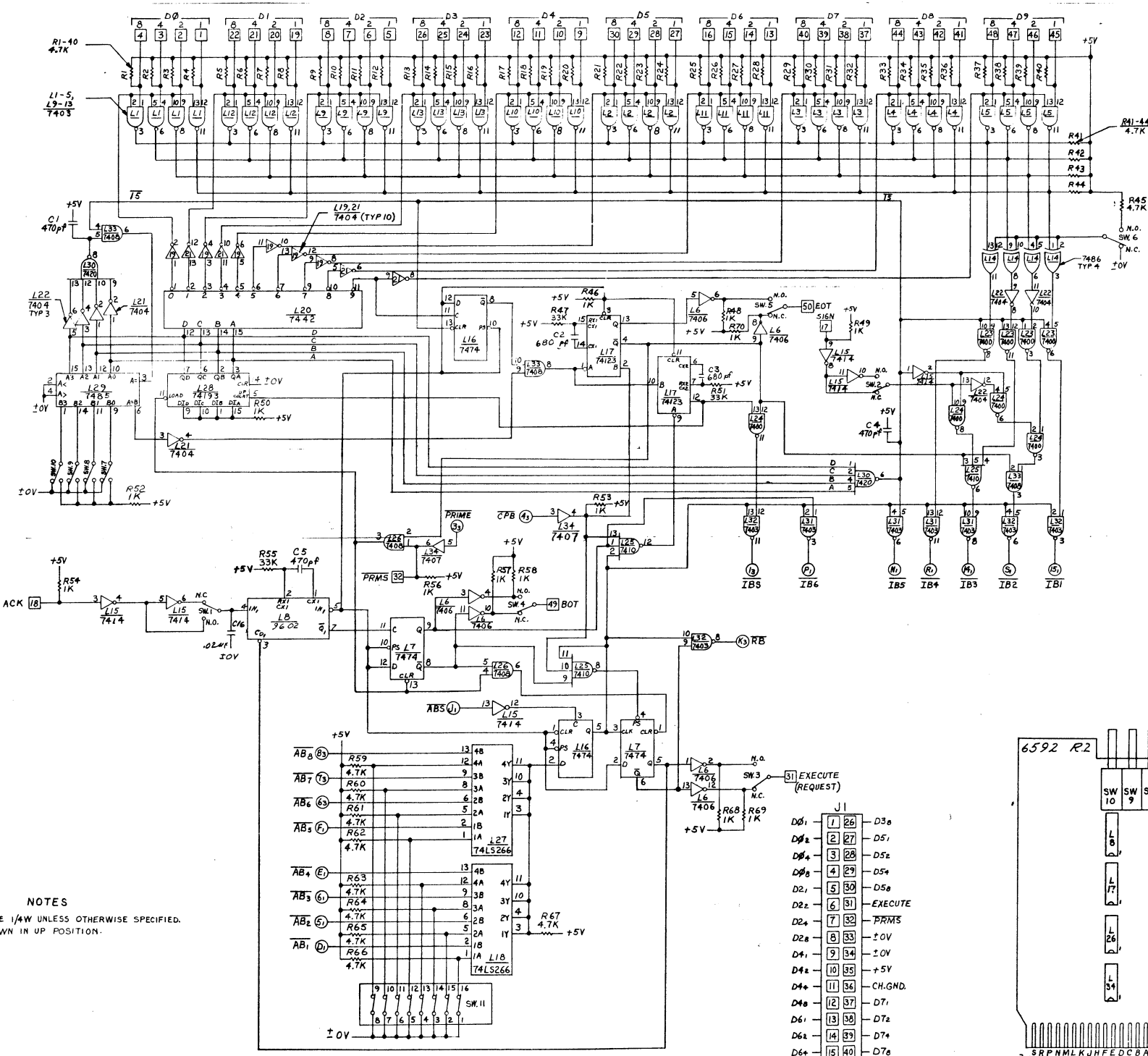
DATE: MAY 19 1977

REVISION

NO.	DATE	DESCRIPTION
1	12-16-74	CHANGED PER RFR
2	1-14-75	CHANGED PER RFR
3	2-12-75	CHANGED PER RFR
4	3-12-75	CHANGED PER RFR
5	3-23-75	CHANGED PER RFR
6	3-27-75	CHANGED PER RFR
7	3-27-75	CHANGED PER RFR
8	3-27-75	CHANGED PER RFR
9	3-27-75	CHANGED PER RFR
10	3-27-75	CHANGED PER RFR
11	3-27-75	CHANGED PER RFR
12	3-27-75	CHANGED PER RFR
13	3-27-75	CHANGED PER RFR
14	3-27-75	CHANGED PER RFR

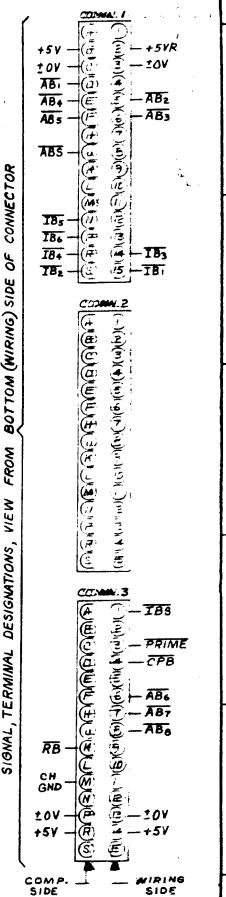
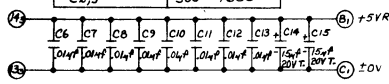
THIS DOCUMENT IS THE PROPERTY OF WANG LABORATORIES, INC. AND SHALL NOT BE REPRODUCED OR TRANSMITTED IN ANY FORM OR BY ANY MEANS, ELECTRONIC OR MECHANICAL, INCLUDING PHOTOCOPYING, RECORDING, OR BY ANY INFORMATION STORAGE AND RETRIEVAL SYSTEM, WITHOUT PERMISSION IN WRITING FROM WANG LABORATORIES, INC.

REV	DESCRIPTION	DATE
1	INITIAL DESIGN	11-20-74
2	REVISED PER	12-20-74
3	REVISED PER	12-20-74

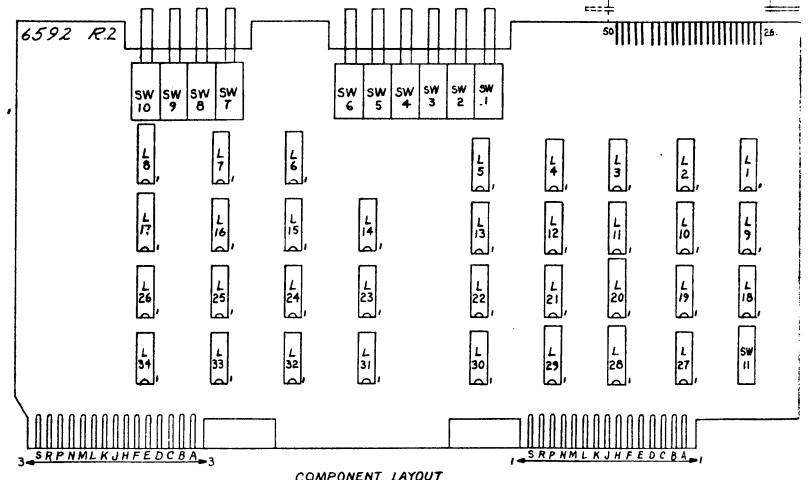


LOCATION	W.L. PART NO.	TERM. NO.	TERM. NO.
L1-5, 9-13, 31, 32	376-0028	7	14
L6	-0055	7	14
L7, 16	-0006	7	14
L17	-0080	8	16
L14	-0036	7	14
L19, 21, 22	-0010	7	14
L18, 27	-0148	7	14
L20	-0008	8	16
L23, 24	-0002	7	14
L25	-0003	7	14
L26, 33	-0081	7	14
L28	-0053	8	16
L29	-0087	8	16
L30	-0004	7	14
L34	376-0056	7	14
L8	376-0104	8	16
L15	376-0133	7	14

COMPONENT	W.L. PART NO.
C16	300-1904
R1-40	330-3047
R41, 45, 59-67	330-3010
R46, 48-50, 52-54, 56-58, 68-70	330-4033
R47, 51, 55	330-1470
C1, 4, 5	300-1470
C6-13	300-1903
C14, 15	300-4022
SW1-6	325-2225
SW7-10	325-2222M
SW11	325-1503
SW11 CAP	325-9047
J1	350-1027
C2, 3	300-1680



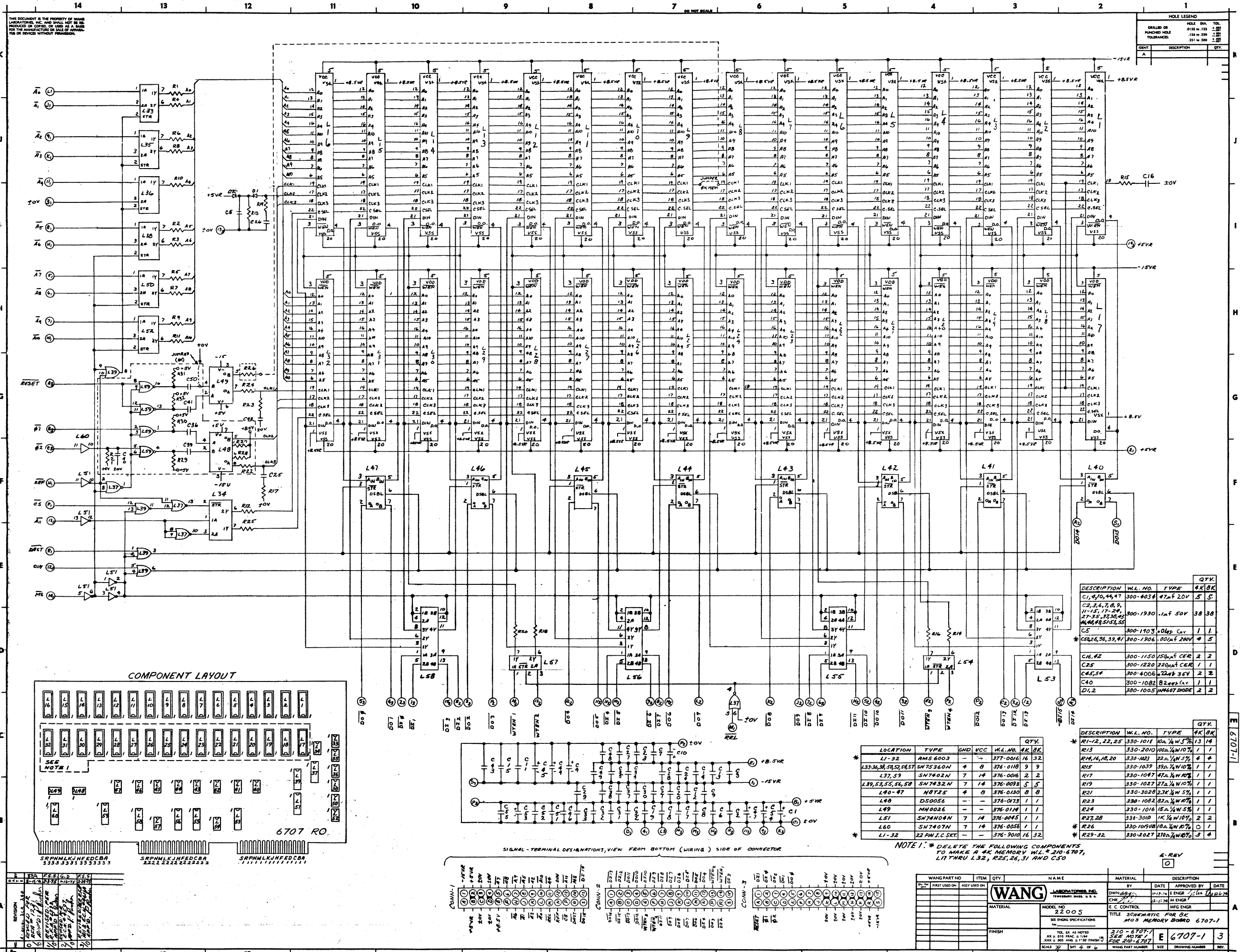
NOTES
 1. ALL RESISTORS ARE 1/4W UNLESS OTHERWISE SPECIFIED.
 2. ALL SWITCHES SHOWN IN UP POSITION.



WANG PART NO.	ITEM	QTY	NAME	MATERIAL	DESCRIPTION
2252A	WANG PART NO.	1	2252A	WANG PART NO.	2252A
TITLE SCHEMATIC LAYOUT BOARD 6592 PARALLEL INPUT DATE 12-20-74 BY [Signature] CHECKED [Signature] ELEC REV 3					

MAY 19 1977

REV	DESCRIPTION	DATE
1	INITIAL DESIGN	11-20-74
2	REVISED PER	12-20-74
3	REVISED PER	12-20-74



HOLE LEGEND

HOLE DIA.	TOL.
DRILLED OR PUNCHED HOLES	±0.005
31 ± 0.005	±0.005
33 ± 0.005	±0.005

DESCRIPTION	W.L. NO.	TYPE	QTY.
C1, 4, 7, 10, 14, 17	300-4034	47µF 20V	5
C2, 3, 6, 7, 8, 9, 11-13, 17, 24, 27, 33, 35, 38, 41, 44, 45, 48, 49, 51, 52, 55	300-1930	1µF 50V	38
C5	300-1903	0.01µF CRY	1
*C58, 26, 36, 39, 41	300-1906	0.001µF 200V	4
C16, 42	300-1150	150µF CER	2
C25	300-1220	220µF CER	1
C45, 54	300-4006	22µF 35V	2
C40	300-1082	82µF CRY	1
D1, 2	300-1005	1N4007 DIODE	2

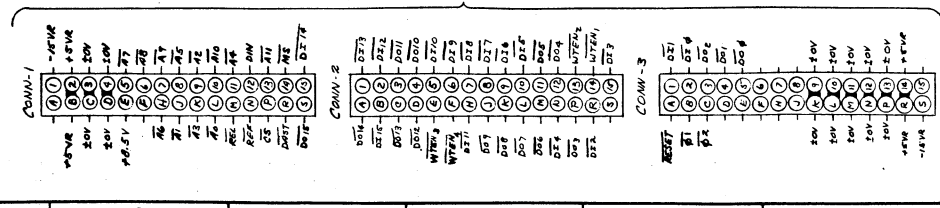
LOCATION	TYPE	GND	VCC	W.L. NO.	QTY.
L1-32	AMS 6003	-	-	377-0016	16
L33, 34, 38, 39, 52, 55, 57	SN75360N	4	8	376-0118	9
L37, 59	SN7402N	7	14	376-0016	2
L39, 53, 55, 56, 58	SN7432N	7	14	376-0093	5
L40-47	NOTES	4	8	376-0130	8
L48	DS0056	-	-	376-0173	1
L49	MN0026	-	-	376-0114	1
L51	SN7404N	7	14	376-0045	1
L60	SN7407N	7	14	376-0056	1
L1-32	22 PIN I.C. SKT.	-	-	376-2010	16

NOTE 1: * DELETE THE FOLLOWING COMPONENTS TO MAKE A 4K MEMORY W.L. # 210-6707, L11 THRU L32, R25, 26, 31 AND C50.

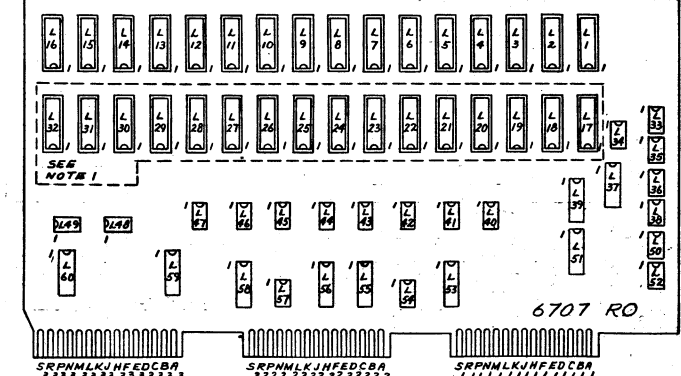
REVISION

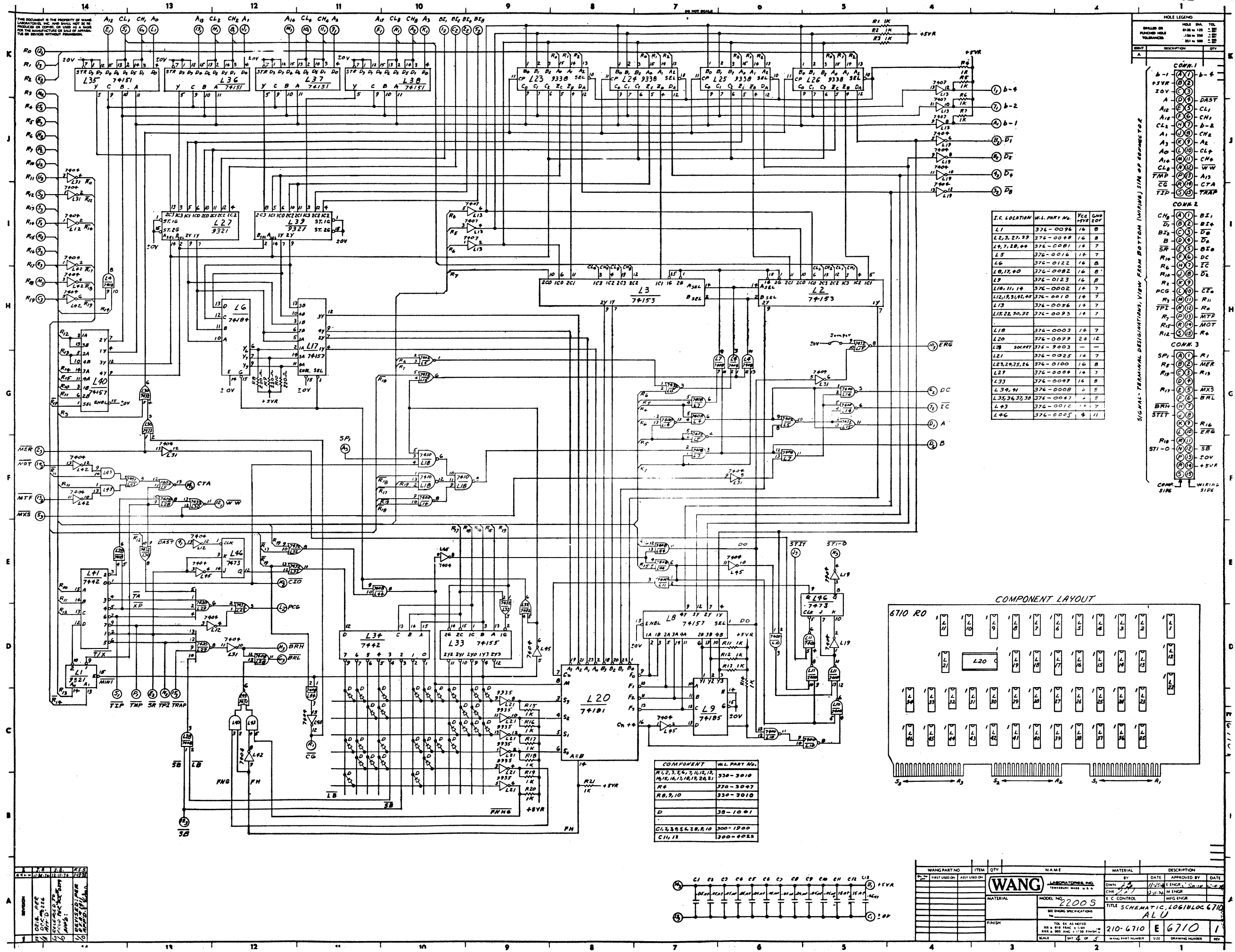
NO.	DATE	BY	DESCRIPTION
1	11-15-74	WANG	INITIAL DESIGN
2	12-10-74	WANG	REVISED PER MFG COMMENTS
3	1-10-75	WANG	REVISED PER MFG COMMENTS
4	2-10-75	WANG	REVISED PER MFG COMMENTS
5	3-10-75	WANG	REVISED PER MFG COMMENTS

WANG PART NO.	ITEM	QTY.	NAME	MATERIAL	DESCRIPTION
2200S					TITLE SCHEMATIC FOR 8K MOS MEMORY BOARD 6707-1
<p>210-6707-1 SEE NOTE 1 FOR 4K MEMORY BOARD 6707-1 FOR 210-6707</p>					
<p>SCALE: 1/8" = 1"</p>					



COMPONENT LAYOUT





HOLE LEGEND

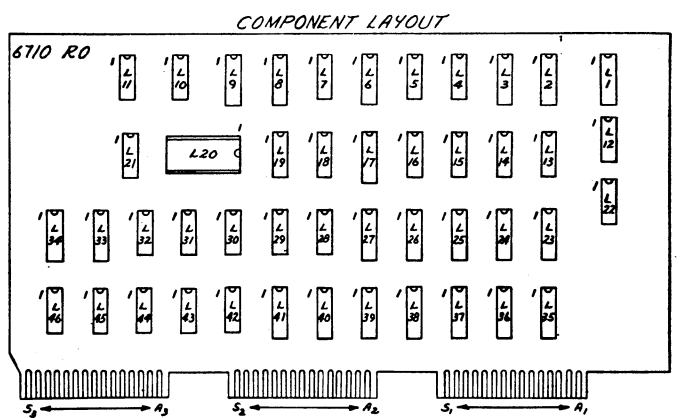
HOLE DIA.	TOL.
0.125 to 0.1875	±0.005
0.1875 to 0.250	±0.005
0.250 to 0.3125	±0.005
0.3125 to 0.375	±0.005

REV.	DESCRIPTION	DATE
1		

SIGNAL TERMINAL DESIGNATIONS, VIEW FROM BOTTOM (INTRINSIC SIDE OF CONNECTOR)

CONN. 1	CONN. 2	CONN. 3
b-1	CH ₆	SP ₁
b-2	D ₁	SP ₂
b-3	A	SP ₃
b-4	A ₁₂	SP ₄
b-5	A ₁₅	SP ₅
b-6	CL ₁	SP ₆
b-7	CH ₁	SP ₇
b-8	b-2	SP ₈
b-9	A ₁	SP ₉
b-10	CH ₂	SP ₁₀
b-11	A ₂	SP ₁₁
b-12	A ₃	SP ₁₂
b-13	CL ₂	SP ₁₃
b-14	CH ₃	SP ₁₄
b-15	A ₄	SP ₁₅
b-16	CL ₃	SP ₁₆
b-17	CH ₄	SP ₁₇
b-18	A ₅	SP ₁₈
b-19	CL ₄	SP ₁₉
b-20	CH ₅	SP ₂₀
b-21	A ₆	SP ₂₁
b-22	CL ₅	SP ₂₂
b-23	CH ₇	SP ₂₃
b-24	A ₇	SP ₂₄
b-25	CL ₆	SP ₂₅
b-26	CH ₈	SP ₂₆
b-27	A ₈	SP ₂₇
b-28	CL ₇	SP ₂₈
b-29	CH ₉	SP ₂₉
b-30	A ₉	SP ₃₀
b-31	CL ₈	SP ₃₁
b-32	CH ₁₀	SP ₃₂
b-33	A ₁₀	SP ₃₃
b-34	CL ₉	SP ₃₄
b-35	CH ₁₁	SP ₃₅
b-36	A ₁₁	SP ₃₆
b-37	CL ₁₀	SP ₃₇
b-38	CH ₁₂	SP ₃₈
b-39	A ₁₂	SP ₃₉
b-40	CL ₁₁	SP ₄₀
b-41	CH ₁₃	SP ₄₁
b-42	A ₁₃	SP ₄₂
b-43	CL ₁₂	SP ₄₃
b-44	CH ₁₄	SP ₄₄
b-45	A ₁₄	SP ₄₅
b-46	CL ₁₃	SP ₄₆
b-47	CH ₁₅	SP ₄₇
b-48	A ₁₅	SP ₄₈
b-49	CL ₁₄	SP ₄₉
b-50	CH ₁₆	SP ₅₀
b-51	A ₁₆	SP ₅₁
b-52	CL ₁₅	SP ₅₂
b-53	CH ₁₇	SP ₅₃
b-54	A ₁₇	SP ₅₄
b-55	CL ₁₆	SP ₅₅
b-56	CH ₁₈	SP ₅₆
b-57	A ₁₈	SP ₅₇
b-58	CL ₁₇	SP ₅₈
b-59	CH ₁₉	SP ₅₉
b-60	A ₁₉	SP ₆₀
b-61	CL ₁₈	SP ₆₁
b-62	CH ₂₀	SP ₆₂
b-63	A ₂₀	SP ₆₃
b-64	CL ₁₉	SP ₆₄
b-65	CH ₂₁	SP ₆₅
b-66	A ₂₁	SP ₆₆
b-67	CL ₂₀	SP ₆₇
b-68	CH ₂₂	SP ₆₈
b-69	A ₂₂	SP ₆₉
b-70	CL ₂₁	SP ₇₀
b-71	CH ₂₃	SP ₇₁
b-72	A ₂₃	SP ₇₂
b-73	CL ₂₂	SP ₇₃
b-74	CH ₂₄	SP ₇₄
b-75	A ₂₄	SP ₇₅
b-76	CL ₂₃	SP ₇₆
b-77	CH ₂₅	SP ₇₇
b-78	A ₂₅	SP ₇₈
b-79	CL ₂₄	SP ₇₉
b-80	CH ₂₆	SP ₈₀
b-81	A ₂₆	SP ₈₁
b-82	CL ₂₅	SP ₈₂
b-83	CH ₂₇	SP ₈₃
b-84	A ₂₇	SP ₈₄
b-85	CL ₂₆	SP ₈₅
b-86	CH ₂₈	SP ₈₆
b-87	A ₂₈	SP ₈₇
b-88	CL ₂₇	SP ₈₈
b-89	CH ₂₉	SP ₈₉
b-90	A ₂₉	SP ₉₀
b-91	CL ₂₈	SP ₉₁
b-92	CH ₃₀	SP ₉₂
b-93	A ₃₀	SP ₉₃
b-94	CL ₂₉	SP ₉₄
b-95	CH ₃₁	SP ₉₅
b-96	A ₃₁	SP ₉₆
b-97	CL ₃₀	SP ₉₇
b-98	CH ₃₂	SP ₉₈
b-99	A ₃₂	SP ₉₉
b-100	CL ₃₁	SP ₁₀₀

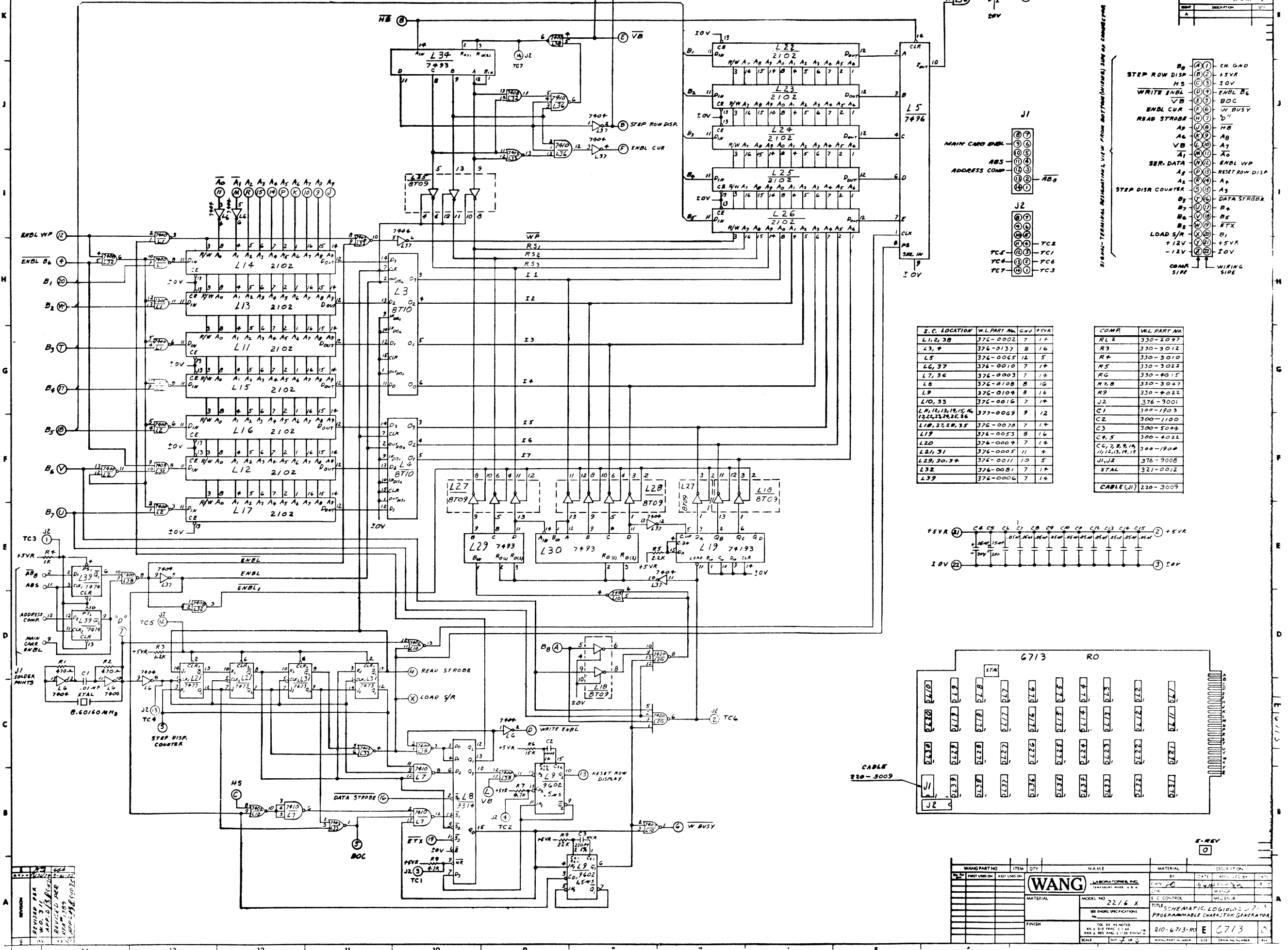
I.C. LOCATION	M.L. PART NO.	PCG	COMP	WANG	REV.
L1	376-0096	16	B		
L2,3,27,29	376-0048	16	B		
L4,7,28,44	376-0081	14	7		
L5	376-0016	14	7		
L6	376-0122	16	B		
L8,17,40	376-0082	16	B		
L9	376-0123	16	B		
L10,11,14	376-0002	14	7		
L12,13,14,15,16,17	376-0010	14	7		
L13	376-0096	14	7		
L15,22,30,32	376-0093	14	7		
L18	376-0003	14	7		
L20	376-0099	24	12		
L28	SOCKET	376-9003	-		
L21	376-0025	14	7		
L23,24,25,26	376-0100	16	B		
L29	376-0004	14	7		
L33	376-0049	16	B		
L34,41	376-0008	2	E		
L35,36,37,38	376-0047	2	E		
L43	376-0012	14	7		
L46	376-0005	4	11		



COMPONENT	M.L. PART NO.
R1,2,3,5,6,7,10,12,13,15,16,17,18,26,31	330-3010
R4	370-3047
R8,9,10	330-3010
D	38-1041
CL,2,3,5,6,7,8,10	300-1900
CH,12	300-4025

WANG PART NO.	ITEM	QTY	NAME	MATERIAL	DESCRIPTION
	FIRST USED ON				
	LAST USED ON				
			WANG LABORATORIES, INC.		
			MODEL NO. 22005		
			FINISH		
			SCALE		
			DATE		
			APPROVED BY		
			DATE		
			DESCRIPTION		
			DATE		
			BY		
			DATE		
			DESCRIPTION		
			DATE		
			BY		
			DATE		
			DESCRIPTION		
			DATE		
			BY		
			DATE		
			DESCRIPTION		
			DATE		
			BY		
			DATE		
			DESCRIPTION		
			DATE		
			BY		
			DATE		
			DESCRIPTION		
			DATE		
			BY		
			DATE		
			DESCRIPTION		
			DATE		
			BY		
			DATE		
			DESCRIPTION		
			DATE		
			BY		
			DATE		
			DESCRIPTION		
			DATE		
			BY		
			DATE		
			DESCRIPTION		
			DATE		
			BY		
			DATE		
			DESCRIPTION		
			DATE		
			BY		
			DATE		
			DESCRIPTION		
			DATE		
			BY		
			DATE		
			DESCRIPTION		
			DATE		
			BY		
			DATE		
			DESCRIPTION		
			DATE		
			BY		
			DATE		
			DESCRIPTION		
			DATE		
			BY		
			DATE		
			DESCRIPTION		
			DATE		
			BY		
			DATE		
			DESCRIPTION		
			DATE		
			BY		
			DATE		
			DESCRIPTION		
			DATE		
			BY		
			DATE		
			DESCRIPTION		
			DATE		
			BY		
			DATE		
			DESCRIPTION		
			DATE		
			BY		
			DATE		
			DESCRIPTION		
			DATE		
			BY		
			DATE		
			DESCRIPTION		
			DATE		
			BY		
			DATE		
			DESCRIPTION		
			DATE		
			BY		
			DATE		
			DESCRIPTION		
			DATE		
			BY		
			DATE		
			DESCRIPTION		
			DATE		
			BY		
			DATE		
			DESCRIPTION		
			DATE		
			BY		
			DATE		
			DESCRIPTION		
			DATE		
			BY		
			DATE		
			DESCRIPTION		
			DATE		
			BY		
			DATE		
			DESCRIPTION		
			DATE		
			BY		
			DATE		
			DESCRIPTION		
			DATE		
			BY		
			DATE		
			DESCRIPTION		
			DATE		
			BY		
			DATE		
			DESCRIPTION		
			DATE		
			BY		
			DATE		
			DESCRIPTION		
			DATE		
			BY		
			DATE		
			DESCRIPTION		
			DATE		
			BY		
			DATE		
			DESCRIPTION		
			DATE		
			BY		
			DATE		
			DESCRIPTION		
			DATE		
			BY		
			DATE		
			DESCRIPTION		
			DATE		
			BY		

THIS DOCUMENT IS THE PROPERTY OF WANG LABORATORIES, INC. AND SHALL NOT BE REPRODUCED OR COPIED IN ANY MANNER WITHOUT THE WRITTEN PERMISSION OF WANG LABORATORIES, INC.

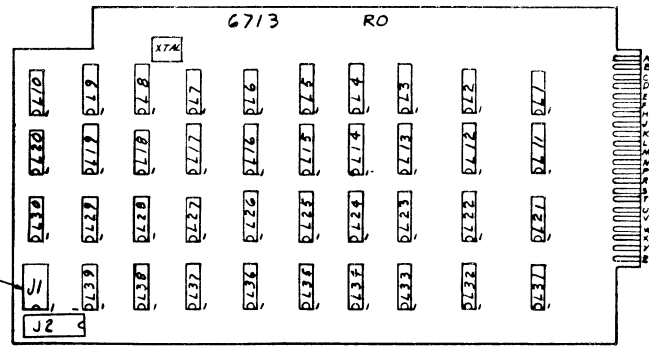
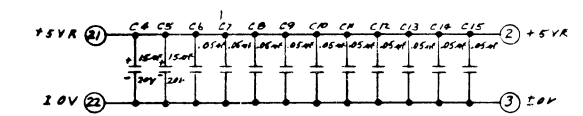


SIGNAL-TERMINAL IDENTIFICATION VIEW FROM BOTTOM (WIRING SIDE OF COMPONENT)

STEP	DESCRIPTION	WIRING SIDE
B0	CM. GND	(1)
STEP ROW DISP	+5V	(2)
HS	IOV	(3)
WRITE ENBL	ENBL B6	(4)
VB	BOC	(5)
ENBL CUR	W BUSY	(6)
READ STROBE	Y	(7)
AP	HS	(8)
A6	AB	(9)
VB	A7	(10)
A1	A8	(11)
SER. DATA	ENBL WP	(12)
A2	RESET ROW DISP	(13)
A3	A9	(14)
STEP DISR COUNTER	A9	(15)
B3	DATA STROBE	(16)
B7	B+	(17)
B6	B-	(18)
B2	FTX	(19)
LOAD S/R	B1	(20)
+12V	+5V	(21)
-12V	IOV	(22)
COMA	WIRING SIDE	

I.C. LOCATION	W.L. PART NO.	CND	+5V
L1,2,3B	376-0002	7	1+
L3, P	376-0137	8	16
L5	376-0063	12	5
L6, 37	376-0010	7	1+
L7, 36	376-0003	7	1+
L8	376-0108	8	16
L9	376-0104	8	16
L10, 33	376-0016	7	1+
L11, 12, 13, 14, 15, 16, 17, 18, 19, 20, 21, 22, 23, 24, 25, 26	377-0069	9	12
L18, 27, 28, 35	376-0078	7	1+
L19	376-0053	8	16
L20	376-0004	7	1+
L21, 31	376-0005	11	+
L29, 30, 34	376-0011	10	5
L32	376-0081	7	1+
L39	376-0006	7	1+

COMP.	W.L. PART NO.
RL2	330-2047
R3	330-3012
R4	330-3010
R5	330-3022
RG	330-4015
R7, B	330-3047
R9	330-4022
J2	376-9001
C1	300-1903
C2	300-1100
C3	300-5044
C4, 5	300-4022
C6, 7, 8, 9, 10, 11, 12, 13, 14, 15	300-1904
J1, J2	376-9008
XTAL	321-0012

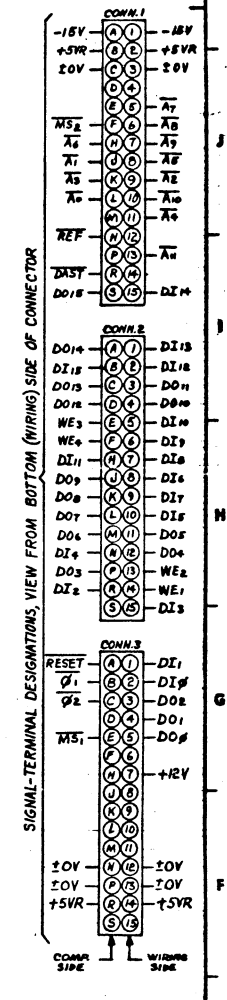
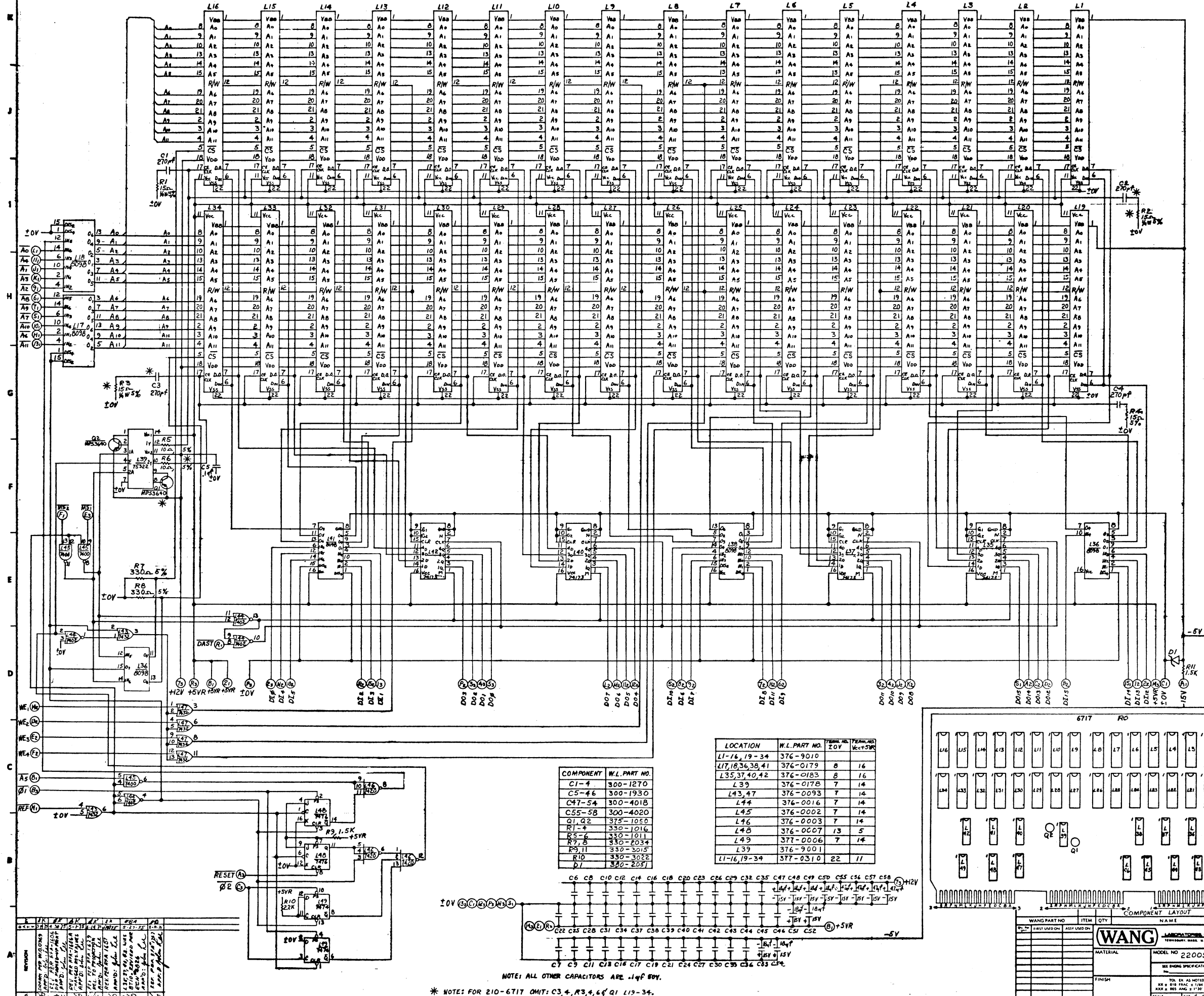


REV.	DATE	DESCRIPTION
1		REVISED FOR...
2		REVISED FOR...
3		REVISED FOR...
4		REVISED FOR...

WANG PART NO.	ITEM	QTY	NAME	MATERIAL	DESCRIPTION
22/6 X					
WANG LABORATORIES, INC.					
MODEL NO. 22/6 X					
TITLE: SCHEMATIC, LOGIC LOGIC 22/6 X					
PART NO. 210-6713-RO					
SCALE: 1/8" = 1"					

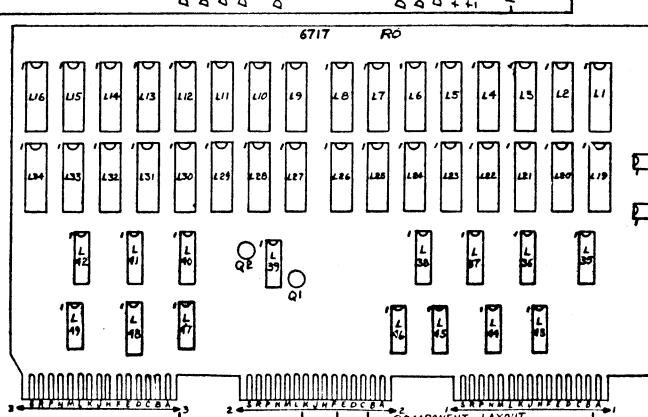
THIS DOCUMENT IS THE PROPERTY OF WANG LABORATORIES, INC. AND SHALL NOT BE REPRODUCED OR TRANSMITTED IN ANY FORM OR BY ANY MEANS, ELECTRONIC OR MECHANICAL, INCLUDING PHOTOCOPYING, RECORDING, OR BY ANY INFORMATION STORAGE AND RETRIEVAL SYSTEM, WITHOUT PERMISSION IN WRITING FROM WANG LABORATORIES, INC.

NO.	DATE	BY
1	11/15/71	W. J. W.
2	11/15/71	W. J. W.
3	11/15/71	W. J. W.



LOCATION	W.L. PART NO.	QTY	REMARKS
L1-16, 19-34	376-9010	8	16
L17, 18, 36, 38, 41	376-0179	8	16
L35, 37, 40, 42	376-0183	8	16
L39	376-0178	7	14
L43, 47	376-0093	7	14
L44	376-0016	7	14
L45	376-0002	7	14
L46	376-0003	7	14
L48	376-0007	13	5
L49	377-0006	7	14
L39	376-9001		
L1-16, 19-34	577-0310	22	11

COMPONENT	W.L. PART NO.
C1-4	300-1270
C5-46	300-1930
C47-54	300-4018
C55-58	300-4020
Q1, Q2	375-1050
R1-4	330-1016
R5-6	330-1011
R7, 8	330-2034
R9, 11	330-2015
R10	330-3022
D1	380-2081

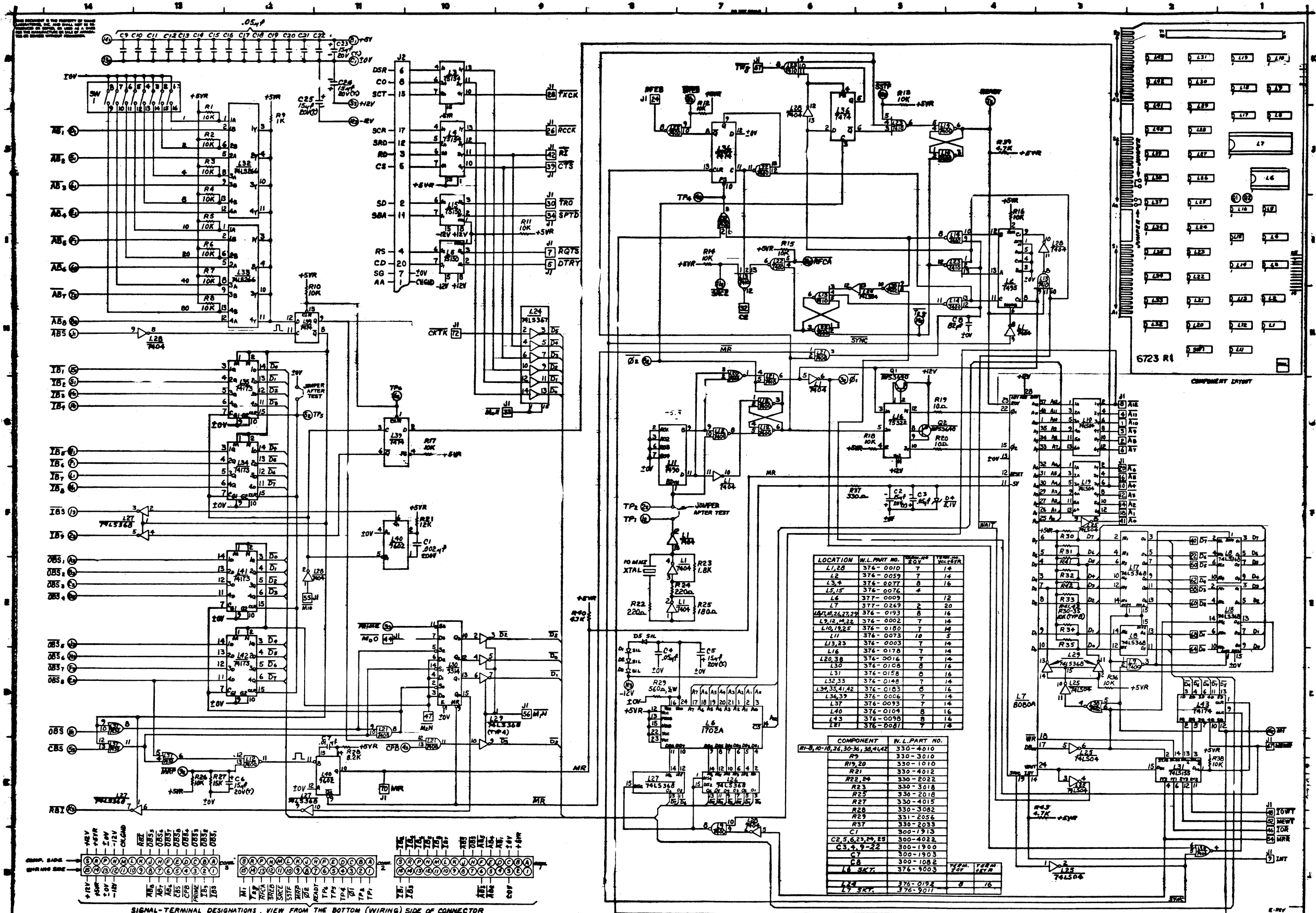


WANG PART NO.	ITEM	QTY	NAME	MATERIAL	DESCRIPTION
6717	RO				

DATE	APPROVED BY	DATE
11/15/71	W. J. W.	11/15/71

MODEL NO.	TITLE	SCALE	WANG PART NUMBER	DRAWING NUMBER	REV.
2200S	SCHEMATIC LOGIBLOC 16K X 8BIT MEMORY BOARD	210-6717-1	E	6717	3

NOTE: ALL OTHER CAPACITORS ARE .1uF 50V.
 * NOTE: FOR 210-6717 OMIT: C3, 4, R3, 4, 6, Q1, L19-34.



SIGNAL-TERMINAL DESIGNATIONS, VIEW FROM THE BOTTOM (WIRING) SIDE OF CONNECTOR

TERMINAL	DESIGNATION	TERMINAL	DESIGNATION
1	DSR	17	SCA
2	CO	18	SAD
3	SCT	19	RD
4	CS	20	CS
5	SD	21	SD
6	SBA	22	SBA
7	RS	23	RS
8	CD	24	CD
9	SG	25	SG
10	AA	26	AA
11	AB1	27	AB1
12	AB2	28	AB2
13	AB3	29	AB3
14	AB4	30	AB4
15	AB5	31	AB5
16	AB6	32	AB6
17	AB7	33	AB7
18	AB8	34	AB8
19	AB9	35	AB9
20	AB10	36	AB10
21	AB11	37	AB11
22	AB12	38	AB12
23	AB13	39	AB13
24	AB14	40	AB14
25	AB15	41	AB15
26	AB16	42	AB16
27	AB17	43	AB17
28	AB18	44	AB18
29	AB19	45	AB19
30	AB20	46	AB20
31	AB21	47	AB21
32	AB22	48	AB22
33	AB23	49	AB23
34	AB24	50	AB24
35	AB25	51	AB25
36	AB26	52	AB26
37	AB27	53	AB27
38	AB28	54	AB28
39	AB29	55	AB29
40	AB30	56	AB30
41	AB31	57	AB31
42	AB32	58	AB32
43	AB33	59	AB33
44	AB34	60	AB34
45	AB35	61	AB35
46	AB36	62	AB36
47	AB37	63	AB37
48	AB38	64	AB38
49	AB39	65	AB39
50	AB40	66	AB40
51	AB41	67	AB41
52	AB42	68	AB42
53	AB43	69	AB43
54	AB44	70	AB44
55	AB45	71	AB45
56	AB46	72	AB46
57	AB47	73	AB47
58	AB48	74	AB48
59	AB49	75	AB49
60	AB50	76	AB50

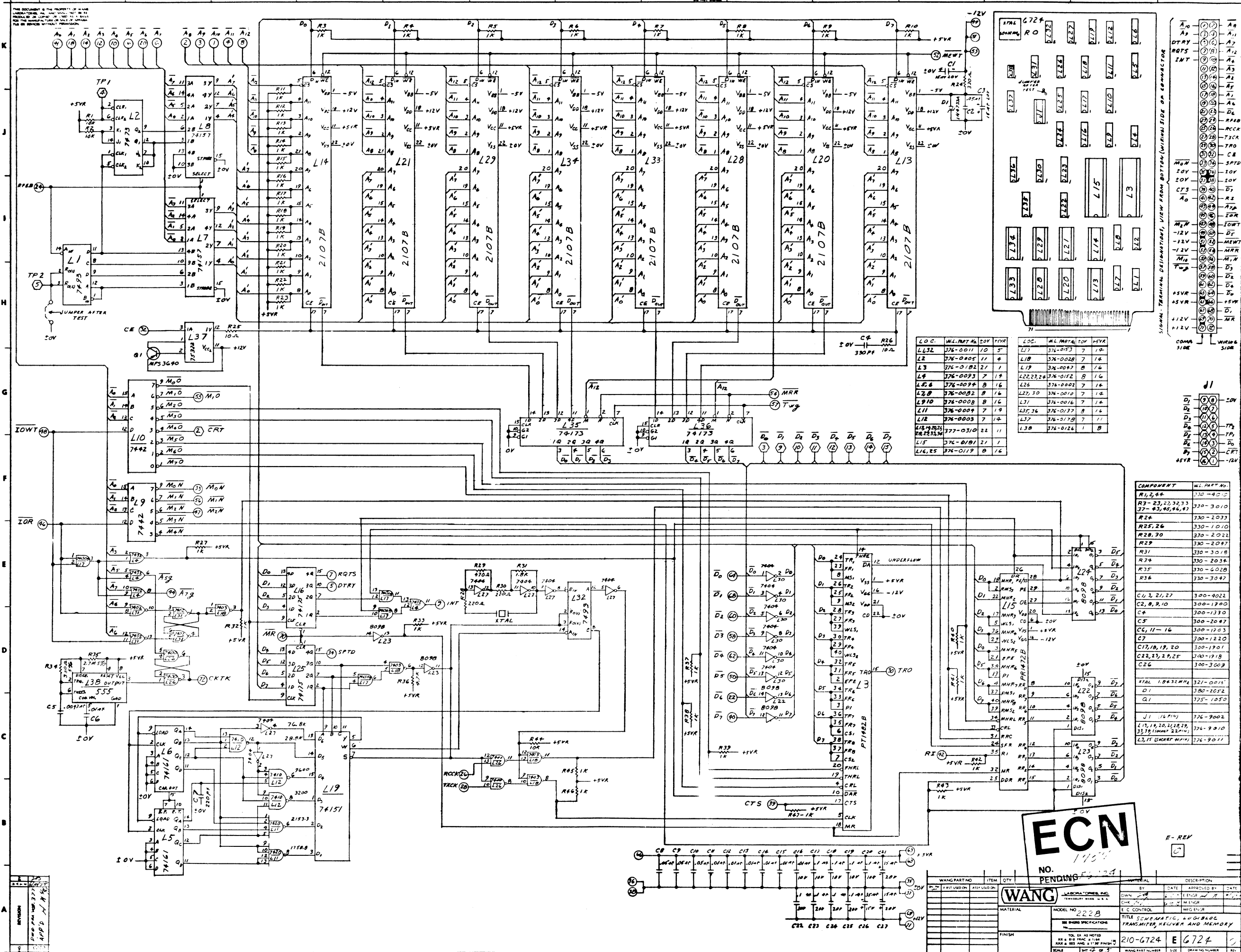
WANG PART NO. QTY. NAME

WANG PART NO.	QTY.	NAME
210-6723	1	SCHEMATIC LOGIBLOC
6723	1	SYNC, CPU & INTERFACE CARD

DATE APPROVED BY DATE

DATE	APPROVED BY	DATE
6-27-71	ENG 2/7	9/76
6-27-71	ENGR 2/7	9/76

SCALE: 1/8" = 1"



LOC.	W.L. PART NO.	QTY	SYMBOL
L12	376-0011	10	5
L2	376-0005	11	4
L3	376-0102	21	1
L4	376-0093	7	14
L5	376-0094	8	16
L6	376-0092	8	16
L7	376-0008	8	16
L8	376-0009	7	14
L9	376-0003	7	14
L10	376-0119	8	16
L11	376-0101	21	1
L12	376-0126	1	8

COMPONENT	W.L. PART NO.
R1,2,4,5	330-40-0
R3-23,24,32,33	330-3010
R27-43,45,46,47	330-3010
R26	330-2033
R25,26	330-1010
R28,30	330-2022
R29	330-2047
R31	330-3018
R34	330-2038
R35	330-6028
R36	330-3047
C1,3,21,27	300-4022
C2,8,9,10	300-1900
C4	300-1330
C5	300-2047
C6,11-16	300-1903
C7	300-1220
C17,18,19,20	300-1901
C22,23,24,25	300-1918
C26	300-3003
XTAL	1.8432MHz 321-0015
D1	380-1052
Q1	375-1050
J1 (16 PIN)	376-9002
L1,13,14,20,21,22,23,24,25,26,27,28,29	376-9010
L3,15 (SMART 4PIN)	376-9011

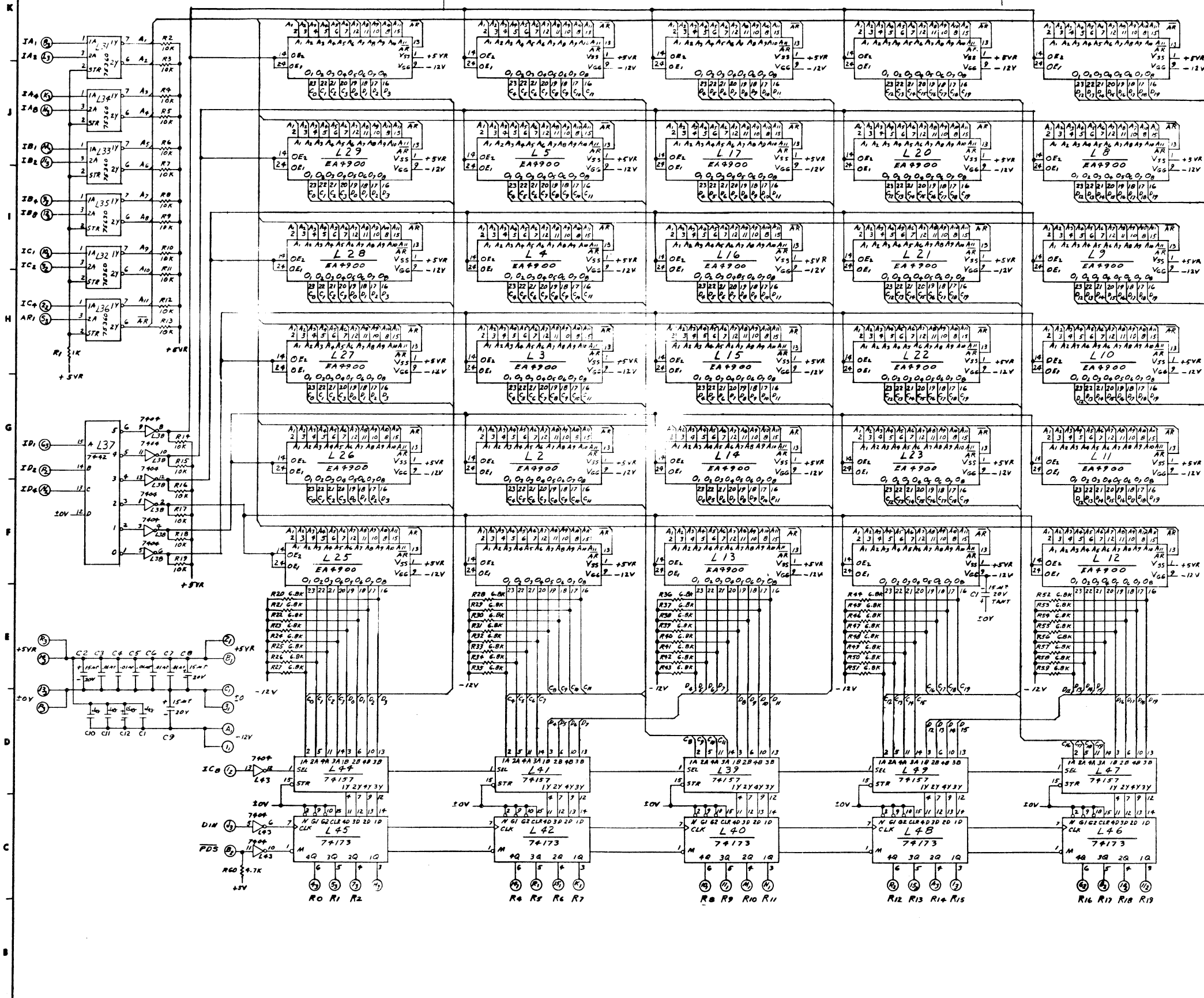
ECN
NO. 1154
PENDING

WANG PART NO.	ITEM	QTY	DESCRIPTION
2228

BY	DATE	APPROVED BY	DATE
...

REVISION	DATE	DESCRIPTION
...

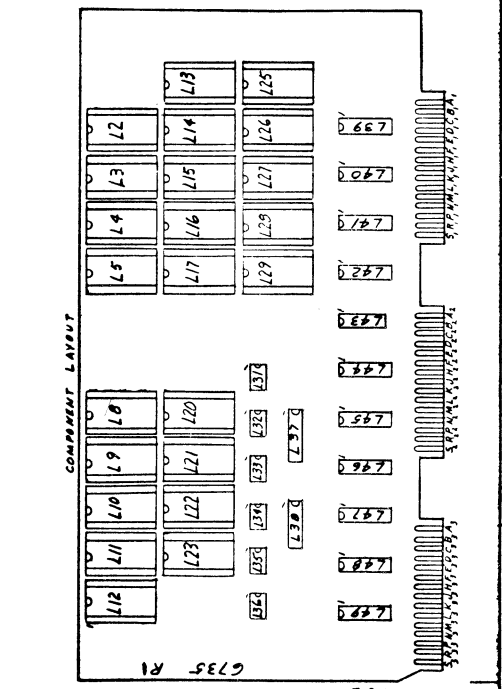
THIS DOCUMENT IS THE PROPERTY OF WANG LABORATORIES, INC. AND SHALL NOT BE REPRODUCED OR COPIED FOR ANY OTHER PURPOSE WITHOUT THE WRITTEN PERMISSION OF WANG LABORATORIES, INC.



LOCATION	W.L. PART NO.	QTY	REV.
L1 THRU 30	SEE CHART	-	-
L31, L32, L33, L34	376-0118	4	A
L37	376-0008	8	A
L38, 43	376-0010	7	A
L39, 44, 45, 46	376-0001	7	A
L40, 41, 42, 47, 48	376-0137	2	A

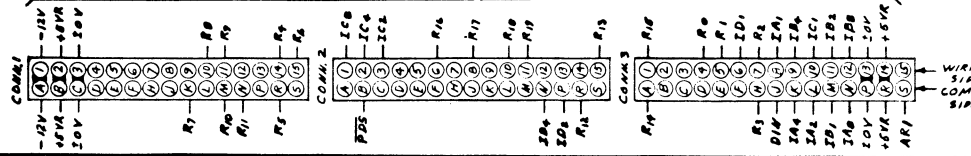
COMPONENT	W.L. PART NO.
R1	330-3010
R2 THRU 19	330-4010
R20 THRU 59	330-3068
R60	330-3067
C1, 2, 8, 9	300-4022
C3, 4, 5, 6, 7	300-1703
SOCKET PRE-LOCATED CHART	376-9003

LOC.	22005
L1	
L2	377-0240
L3	377-0235
L4	
L5	
L6	
L7	
L8	
L9	
L10	377-0231
L11	377-0234
L12	377-0241
L13	377-0212
L14	377-0237
L15	377-0232
L16	
L17	
L18	
L19	
L20	
L21	
L22	377-0239
L23	377-0233
L24	
L25	377-0243
L26	377-0238
L27	377-0233
L28	
L29	
L30	



REV.	DATE	BY	DESCRIPTION
1	1/27/67	WANG	SCHEMATIC LOGIC
2	2/1/67	WANG	SCHEMATIC LOGIC
3	2/1/67	WANG	SCHEMATIC LOGIC
4	2/1/67	WANG	SCHEMATIC LOGIC
5	2/1/67	WANG	SCHEMATIC LOGIC
6	2/1/67	WANG	SCHEMATIC LOGIC
7	2/1/67	WANG	SCHEMATIC LOGIC
8	2/1/67	WANG	SCHEMATIC LOGIC
9	2/1/67	WANG	SCHEMATIC LOGIC
10	2/1/67	WANG	SCHEMATIC LOGIC
11	2/1/67	WANG	SCHEMATIC LOGIC
12	2/1/67	WANG	SCHEMATIC LOGIC
13	2/1/67	WANG	SCHEMATIC LOGIC
14	2/1/67	WANG	SCHEMATIC LOGIC

SIGNAL-TERMINAL DESIGNATIONS, VIEW FROM BOTTOM (WIRING) SIDE OF CONNECTOR



WANG PART NO.	ITEM	QTY	NAME	MATERIAL	DESCRIPTION
74157	1	1	74157	IC	74157
74173	1	1	74173	IC	74173
74174	1	1	74174	IC	74174
74175	1	1	74175	IC	74175
74176	1	1	74176	IC	74176
74177	1	1	74177	IC	74177
74178	1	1	74178	IC	74178
74179	1	1	74179	IC	74179
74180	1	1	74180	IC	74180
74181	1	1	74181	IC	74181
74182	1	1	74182	IC	74182
74183	1	1	74183	IC	74183
74184	1	1	74184	IC	74184
74185	1	1	74185	IC	74185
74186	1	1	74186	IC	74186
74187	1	1	74187	IC	74187
74188	1	1	74188	IC	74188
74189	1	1	74189	IC	74189
74190	1	1	74190	IC	74190
74191	1	1	74191	IC	74191
74192	1	1	74192	IC	74192
74193	1	1	74193	IC	74193
74194	1	1	74194	IC	74194
74195	1	1	74195	IC	74195
74196	1	1	74196	IC	74196
74197	1	1	74197	IC	74197
74198	1	1	74198	IC	74198
74199	1	1	74199	IC	74199
74200	1	1	74200	IC	74200
74201	1	1	74201	IC	74201
74202	1	1	74202	IC	74202
74203	1	1	74203	IC	74203
74204	1	1	74204	IC	74204
74205	1	1	74205	IC	74205
74206	1	1	74206	IC	74206
74207	1	1	74207	IC	74207
74208	1	1	74208	IC	74208
74209	1	1	74209	IC	74209
74210	1	1	74210	IC	74210
74211	1	1	74211	IC	74211
74212	1	1	74212	IC	74212
74213	1	1	74213	IC	74213
74214	1	1	74214	IC	74214
74215	1	1	74215	IC	74215
74216	1	1	74216	IC	74216
74217	1	1	74217	IC	74217
74218	1	1	74218	IC	74218
74219	1	1	74219	IC	74219
74220	1	1	74220	IC	74220
74221	1	1	74221	IC	74221
74222	1	1	74222	IC	74222
74223	1	1	74223	IC	74223
74224	1	1	74224	IC	74224
74225	1	1	74225	IC	74225
74226	1	1	74226	IC	74226
74227	1	1	74227	IC	74227
74228	1	1	74228	IC	74228
74229	1	1	74229	IC	74229
74230	1	1	74230	IC	74230
74231	1	1	74231	IC	74231
74232	1	1	74232	IC	74232
74233	1	1	74233	IC	74233
74234	1	1	74234	IC	74234
74235	1	1	74235	IC	74235
74236	1	1	74236	IC	74236
74237	1	1	74237	IC	74237
74238	1	1	74238	IC	74238
74239	1	1	74239	IC	74239
74240	1	1	74240	IC	74240
74241	1	1	74241	IC	74241
74242	1	1	74242	IC	74242
74243	1	1	74243	IC	74243
74244	1	1	74244	IC	74244
74245	1	1	74245	IC	74245
74246	1	1	74246	IC	74246
74247	1	1	74247	IC	74247
74248	1	1	74248	IC	74248
74249	1	1	74249	IC	74249
74250	1	1	74250	IC	74250
74251	1	1	74251	IC	74251
74252	1	1	74252	IC	74252
74253	1	1	74253	IC	74253
74254	1	1	74254	IC	74254
74255	1	1	74255	IC	74255
74256	1	1	74256	IC	74256
74257	1	1	74257	IC	74257
74258	1	1	74258	IC	74258
74259	1	1	74259	IC	74259
74260	1	1	74260	IC	74260
74261	1	1	74261	IC	74261
74262	1	1	74262	IC	74262
74263	1	1	74263	IC	74263
74264	1	1	74264	IC	74264
74265	1	1	74265	IC	74265
74266	1	1	74266	IC	74266
74267	1	1	74267	IC	74267
74268	1	1	74268	IC	74268
74269	1	1	74269	IC	74269
74270	1	1	74270	IC	74270
74271	1	1	74271	IC	74271
74272	1	1	74272	IC	74272
74273	1	1	74273	IC	74273
74274	1	1	74274	IC	74274
74275	1	1	74275	IC	74275
74276	1	1	74276	IC	74276
74277	1	1	74277	IC	74277
74278	1	1	74278	IC	74278
74279	1	1	74279	IC	74279
74280	1	1	74280	IC	74280
74281	1	1	74281	IC	74281
74282	1	1	74282	IC	74282
74283	1	1	74283	IC	74283
74284	1	1	74284	IC	74284
74285	1	1	74285	IC	74285
74286	1	1	74286	IC	74286
74287	1	1	74287	IC	74287
74288	1	1	74288	IC	74288
74289	1	1	74289	IC	74289
74290	1	1	74290	IC	74290
74291	1	1	74291	IC	74291
74292	1	1	74292	IC	74292
74293	1	1	74293	IC	74293
74294	1	1	74294	IC	74294
74295	1	1	74295	IC	74295
74296	1	1	74296	IC	74296
74297	1	1	74297	IC	74297
74298	1	1	74298	IC	74298
74299	1	1	74299	IC	74299
74300	1	1	74300	IC	74300
74301	1	1	74301	IC	74301
74302	1	1	74302	IC	74302
74303	1	1	74303	IC	74303
74304	1	1	74304	IC	74304
74305	1	1	74305	IC	74305
74306	1	1	74306	IC	74306
74307	1	1	74307	IC	74307
74308	1	1	74308	IC	74308
74309	1	1	74309	IC	74309
74310	1	1	74310	IC	74310
74311	1	1	74311	IC	74311
74312	1	1	74312	IC	74312
74313	1	1	74313	IC	74313
74314	1	1	74314	IC	74314
74315	1	1	74315	IC	74315
74316	1	1	74316	IC	74316
74317	1	1	74317	IC	74317
74318	1	1	74318	IC	74318
74319	1	1	74319	IC	74319
74320	1	1	74320	IC	74320
74321	1	1	74321	IC	74321
74322	1	1	74322	IC	74322

THIS DOCUMENT IS THE PROPERTY OF WANG LABORATORIES, INC. AND SHALL NOT BE REPRODUCED OR TRANSMITTED IN ANY FORM OR BY ANY MEANS, ELECTRONIC OR MECHANICAL, INCLUDING PHOTOCOPYING, RECORDING, OR BY ANY INFORMATION STORAGE AND RETRIEVAL SYSTEM. THIS DOCUMENT IS LOANED TO YOU BY WANG LABORATORIES, INC. AND IS NOT TO BE DISTRIBUTED OUTSIDE YOUR ORGANIZATION.

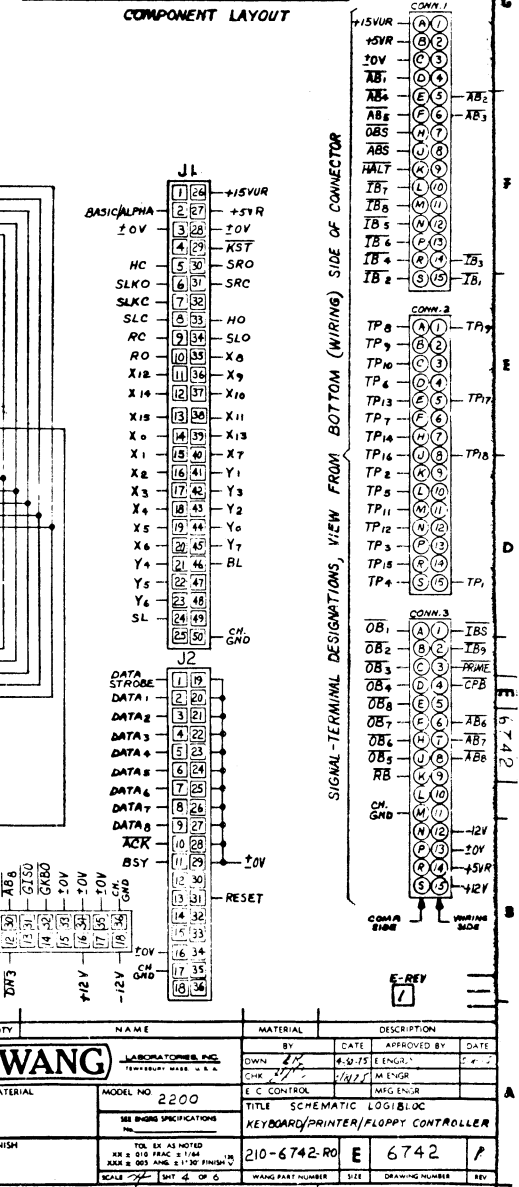
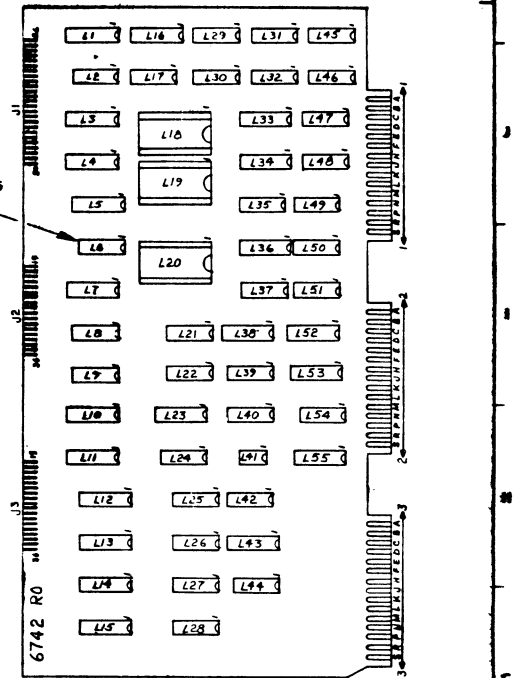
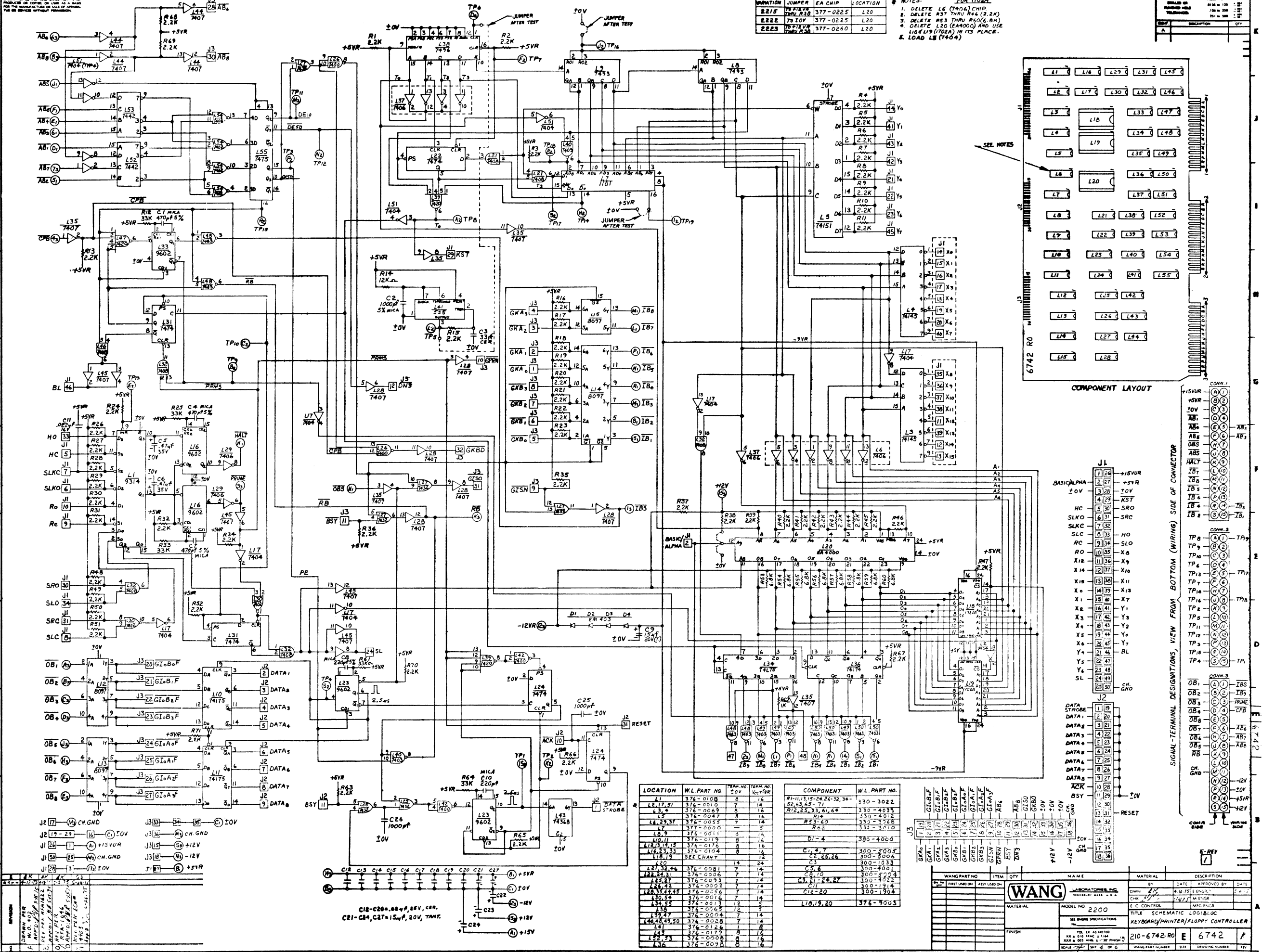
VARIATION CHART

DESCRIPTION	JUMPER	EA CHIP	LOCATION
2215	TP10	377-0225	L20
2222	TP10	377-0225	L20
2223	TP10	377-0260	L20

NOTES:
 FOR 1702A
 1. DELETE L6 (7406) CHIP.
 2. DELETE R37 THRU R46 (2.2K).
 3. DELETE R53 THRU R50 (6.0K).
 4. DELETE L20 (E4400) AND USE L16 & L19 (702A) IN ITS PLACE.
 5. LOAD L8 (7404).

HOLE LEGEND

DRILL DIA.	HOLE DIA.	DEPTH
0.075	0.075	0.031
0.125	0.125	0.031
0.1875	0.1875	0.031
0.250	0.250	0.031



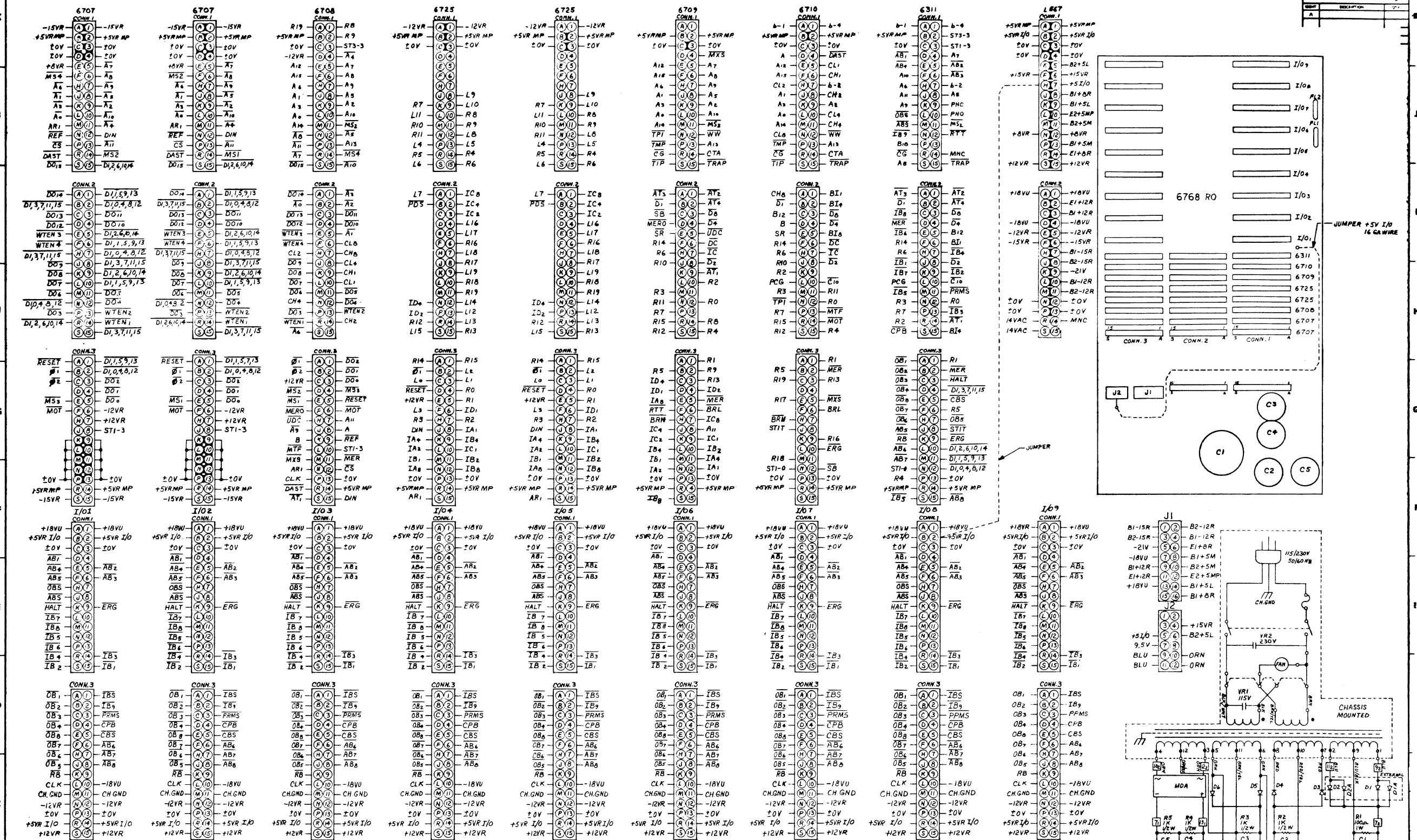
LOCATION	W.L. PART NO.	TERM. NO.	TERM. NO.	COMPONENT	W.L. PART NO.
L1	376-0108	7	14	R1-11,13,15,24,24,32,34	330-3022
L2,17,31	376-0010	7	16	52,63,65-71	300-3004
L3,4	376-0069	8	16	R12,25,33,61,64	330-4035
L5	376-0047	8	16	R14	330-4012
L6,29,37	376-0055	7	14	R53-60	330-3368
L7	377-0000	5	5	R62	330-3010
L8,9	376-0011	5	16	D1-4	380-4000
L10,11	376-0019	8	16	C1,4,7	300-4005
L12,13,14,19	376-0176	8	16	C3,22,26	300-1033
L16,23,33	376-0104	8	16	C5,10	300-4004
L18,19	SEE CHART	24	24	C9,21-24,27	300-4022
L20				C10-20	300-1904
L21,32,36	376-0081	7	14	R53-60	330-3368
L22,34,31	376-0006	7	14	C2,10	300-4004
L25,27	376-0093	7	14	C9,21-24,27	300-4022
L26,28	376-0023	7	14	C10-20	300-1904
L28,29,44,43	376-0056	7	14	C16-20	300-1904
L30,54	376-0016	7	14		
L31,55	376-0013	12	5		
L32	376-0065	12	5		
L33,47	376-0004	7	14		
L34,45,50	376-0028	7	14		
L41	376-0126	7	14		
L43	376-0179	8	16		
L45,53	376-0008	8	16		
L46	376-0018	8	16		

WANG PART NO.	ITEM	QTY	NAME	MATERIAL	DESCRIPTION	DATE	APPROVED BY	DATE
	FIRST USE ON							
	ASSY USE ON							
MATERIAL		MODEL NO. 2200		E/C CONTROL				
FINISH		SEE SPECIFICATIONS		TITLE SCHEMATIC LOGIC LOC				
		210-6742-RO		E 6742				
		WANG PART NUMBER		SEE DRAWING NUMBER				

CONNECTIONS

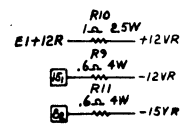
CONNECTION	TERMINAL	VOLTAGE
J2 [17-29]	[16]	20V
J1 [24]	[1]	+5V
J1 [24]	[11]	CH. GND
J1 [24]	[12]	CH. GND
J1 [24]	[13]	CH. GND
J1 [24]	[14]	CH. GND
J1 [24]	[15]	CH. GND
J1 [24]	[16]	CH. GND
J1 [24]	[17]	CH. GND
J1 [24]	[18]	CH. GND
J1 [24]	[19]	CH. GND
J1 [24]	[20]	CH. GND
J1 [24]	[21]	CH. GND
J1 [24]	[22]	CH. GND
J1 [24]	[23]	CH. GND
J1 [24]	[24]	CH. GND
J1 [24]	[25]	CH. GND
J1 [24]	[26]	CH. GND
J1 [24]	[27]	CH. GND
J1 [24]	[28]	CH. GND
J1 [24]	[29]	CH. GND
J1 [24]	[30]	CH. GND
J1 [24]	[31]	CH. GND
J1 [24]	[32]	CH. GND
J1 [24]	[33]	CH. GND
J1 [24]	[34]	CH. GND
J1 [24]	[35]	CH. GND
J1 [24]	[36]	CH. GND
J1 [24]	[37]	CH. GND
J1 [24]	[38]	CH. GND
J1 [24]	[39]	CH. GND
J1 [24]	[40]	CH. GND
J1 [24]	[41]	CH. GND
J1 [24]	[42]	CH. GND
J1 [24]	[43]	CH. GND
J1 [24]	[44]	CH. GND
J1 [24]	[45]	CH. GND
J1 [24]	[46]	CH. GND
J1 [24]	[47]	CH. GND
J1 [24]	[48]	CH. GND
J1 [24]	[49]	CH. GND
J1 [24]	[50]	CH. GND
J1 [24]	[51]	CH. GND
J1 [24]	[52]	CH. GND
J1 [24]	[53]	CH. GND
J1 [24]	[54]	CH. GND
J1 [24]	[55]	CH. GND
J1 [24]	[56]	CH. GND
J1 [24]	[57]	CH. GND
J1 [24]	[58]	CH. GND
J1 [24]	[59]	CH. GND
J1 [24]	[60]	CH. GND
J1 [24]	[61]	CH. GND
J1 [24]	[62]	CH. GND
J1 [24]	[63]	CH. GND
J1 [24]	[64]	CH. GND
J1 [24]	[65]	CH. GND
J1 [24]	[66]	CH. GND
J1 [24]	[67]	CH. GND
J1 [24]	[68]	CH. GND
J1 [24]	[69]	CH. GND
J1 [24]	[70]	CH. GND
J1 [24]	[71]	CH. GND
J1 [24]	[72]	CH. GND
J1 [24]	[73]	CH. GND
J1 [24]	[74]	CH. GND
J1 [24]	[75]	CH. GND
J1 [24]	[76]	CH. GND
J1 [24]	[77]	CH. GND
J1 [24]	[78]	CH. GND
J1 [24]	[79]	CH. GND
J1 [24]	[80]	CH. GND
J1 [24]	[81]	CH. GND
J1 [24]	[82]	CH. GND
J1 [24]	[83]	CH. GND
J1 [24]	[84]	CH. GND
J1 [24]	[85]	CH. GND
J1 [24]	[86]	CH. GND
J1 [24]	[87]	CH. GND
J1 [24]	[88]	CH. GND
J1 [24]	[89]	CH. GND
J1 [24]	[90]	CH. GND
J1 [24]	[91]	CH. GND
J1 [24]	[92]	CH. GND
J1 [24]	[93]	CH. GND
J1 [24]	[94]	CH. GND
J1 [24]	[95]	CH. GND
J1 [24]	[96]	CH. GND
J1 [24]	[97]	CH. GND
J1 [24]	[98]	CH. GND
J1 [24]	[99]	CH. GND
J1 [24]	[100]	CH. GND

THIS DRAWING IS THE PROPERTY OF WANG LABORATORIES, INC. AND SHALL NOT BE REPRODUCED OR TRANSMITTED IN ANY FORM OR BY ANY MEANS WITHOUT PERMISSION.

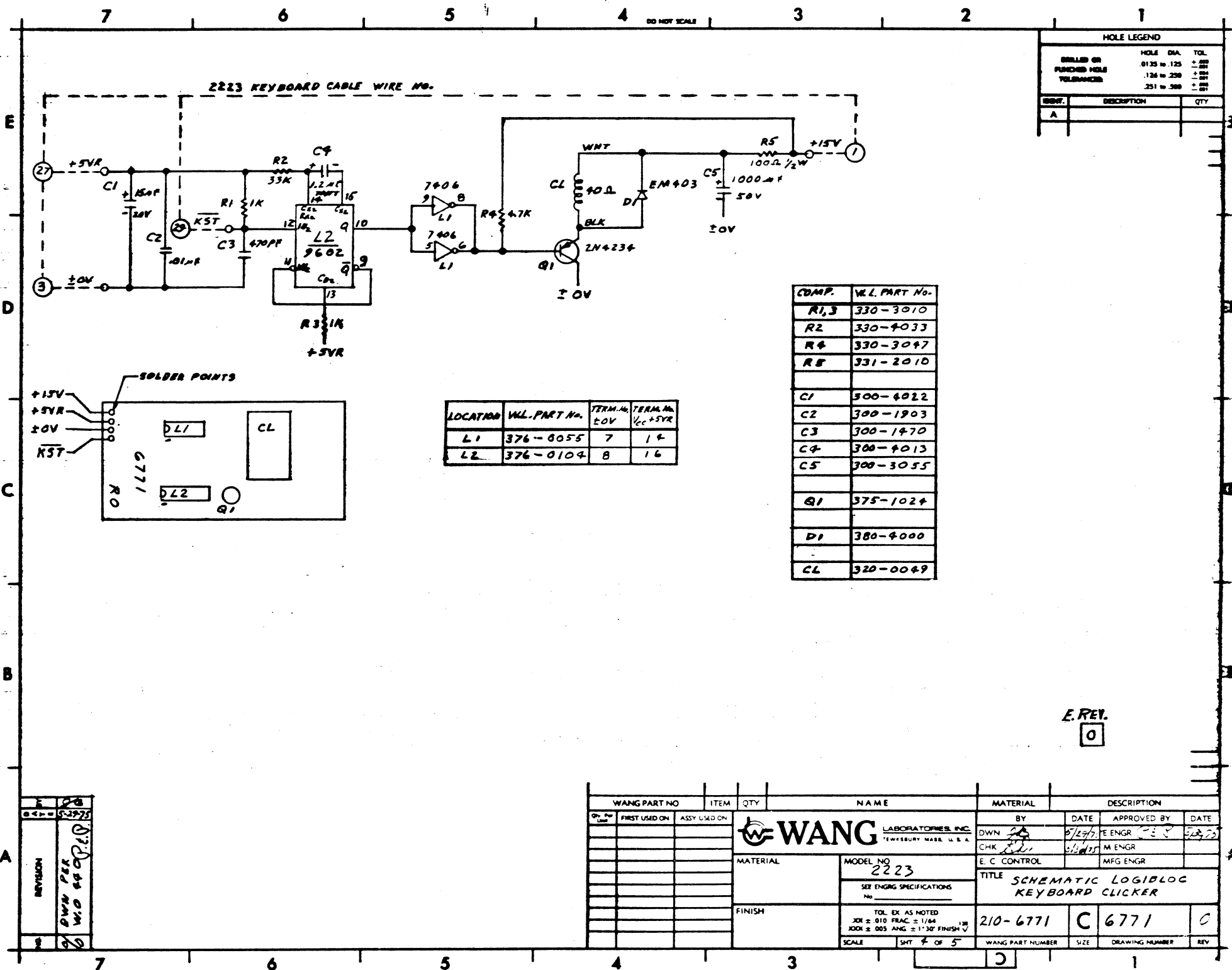


NOTE: FOR POWER SUPPLY REGULATOR SEE DWG. DG439
 FOR HEAT SINK ASSEMBLY SEE DWG. CG627-B
 FOR INTERCONNECTION DIAGRAM SEE DWG. DG800-13

COMPONENT	W.L. PART NO.
R1	332-2010
R2,3,4,5	331-3010
R9,11	334-0016
R10	334-0014
D1,D2,D3,D4,D5	380-3000
D3,4,5,6	380-3002
C1	300-3050
C2,5	300-3068
C3,4	300-3019
F1,2	360-1006
BASE CLIP	360-0006
VR1	380-5000
VR2	380-5001
BUSS	654-1154
J1	654-1177
J2	654-1172
CONN	350-0011



WANG PART NO.	ITEM	QTY	N.A.M.E.	MATERIAL	DESCRIPTION	DATE	APPROVED BY	DATE
WCS	WCS		WCS		WCS MOTHERBOARD			
210-6768	E	6768	0					



HOLE LEGEND		
BILLED OR	HOLE DIA.	TOL.
PUNCHED HOLE	.0125 to .125	±.005
TOLERANCES	.126 to .250	±.005
	.251 to .500	±.010

IDENT.	DESCRIPTION	QTY
A		

COMP.	W.L. PART No.
R1,3	330-3010
R2	330-4033
R4	330-3047
R5	331-3010
C1	300-4022
C2	300-1903
C3	300-1470
C4	300-4013
C5	300-3055
Q1	375-1024
D1	380-4000
CL	320-0049

LOCATION	W.L. PART No.	TERM. No. ±0V	TERM. No. 1/2 ±5V
L1	376-8055	7	14
L2	376-0104	8	16

E. REV.
0

REV.	DATE	BY	DESCRIPTION
1	5/29/71	DWN	REV. PER W.C. 440 R.L.P.

WANG PART NO.	ITEM	QTY	NAME	MATERIAL	DESCRIPTION
	FIRST USED ON				
	ASSY USED ON				

TEMPERLEY MASS. U.S.A.

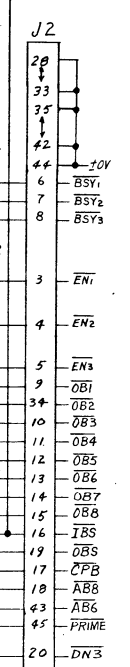
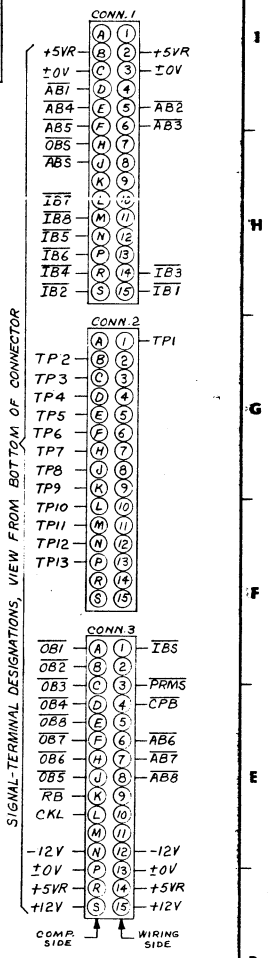
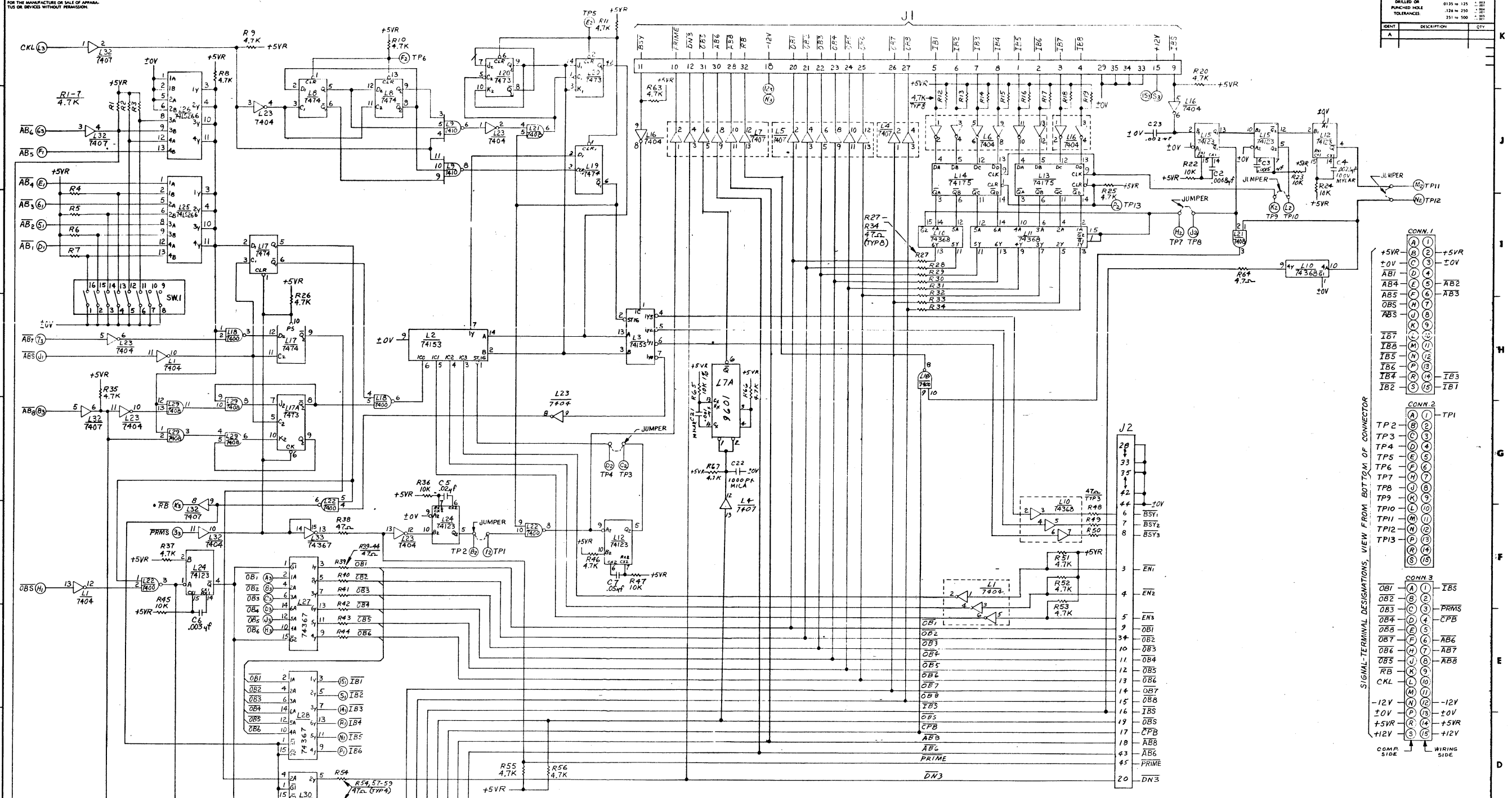
BY	DATE	APPROVED BY	DATE
DWN	5/29/71	E ENGR	5/29/71
CHK	5/29/71	M ENGR	
E. C. CONTROL		MFG ENGR	

MATERIAL	MODEL NO.	TITLE
	2223	SCHEMATIC LOGIBLOC KEYBOARD CLICKER
SEE ENGR SPECIFICATIONS		
FINISH	TOL. EX. AS NOTED	
	XDR ± 010 FRAC ± 1/64	
	XDR ± 005 ANG ± 1° 30' FINISH	
SCALE	SHT # OF 5	

210-6771	C	6771	0
WANG PART NUMBER	SIZE	DRAWING NUMBER	REV

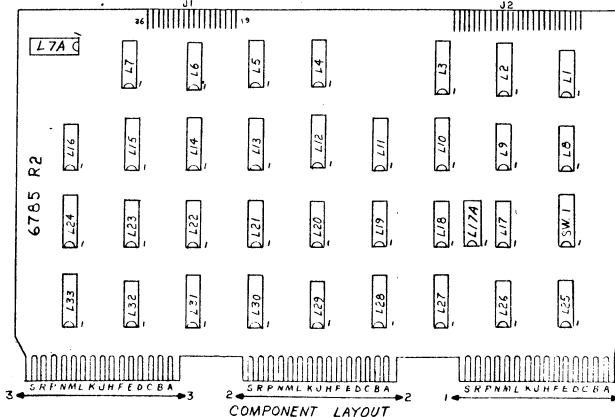
THIS DOCUMENT IS THE PROPERTY OF WANG LABORATORIES, INC. AND SHALL NOT BE REPRODUCED OR COPIED, OR USED AS A BASIS FOR THE MANUFACTURE OR SALE OF APPARATUS OR DEVICES WITHOUT PERMISSION.

HOLE LEGEND		
DRILLED OR PUNCHED HOLE	HOLE DIA.	TOL.
DRILLED HOLE	0.135 to 0.155	±0.005
PUNCHED HOLE	0.135 to 0.155	±0.005
TOLERANCES	0.155 to 0.200	±0.005
	0.200 to 0.250	±0.005
	0.250 to 0.300	±0.005



COMPONENT	W.L. PART NO.
R6,67	330-3047
R22-24,36,45,47	330-4010
R27-39,38-44,48-50, 54,57-62,64	330-1047
C 8-17	300-1903
C2	300-2068
C3	300-2015
C4	300-2022
C5	300-1904
C6	300-1905
C7	300-1900
C19,20	300-4022
C21	300-2010
C23	300-1913
R65	333-0017
SW.1	325-1503
SW.CAP	325-9047
C22	300-5006
J1	350-1038
J2	350-1027

LOCATION	W.L. PART NO.	TERM. NO. ±0V	TERM. NO. Vcc+5V
L1,6,16,23	376-0010	7	14
L2	376-0048	8	16
L3	376-0049	8	16
L4,5,7,32	376-0056	7	14
L9,17,19	376-0006	7	14
L9	376-0003	7	14
L10,11	376-0179	8	16
L12,15,24	376-0080	8	16
L13,14	376-0119	8	16
L18,22	376-0002	7	14
L17,20	376-0005	11	4
L21,29	376-0081	7	14
L25,26	376-0148	7	14
L27,28,30,31,33	376-0176	8	16
L7A	376-0086	7	14



REV.	DATE	BY	DESCRIPTION
1	10/11/68	JAN	INITIAL DESIGN
2	10/11/68	JAN	REVISED FOR MANUFACTURE
3	10/11/68	JAN	REVISED FOR MANUFACTURE
4	10/11/68	JAN	REVISED FOR MANUFACTURE
5	10/11/68	JAN	REVISED FOR MANUFACTURE
6	10/11/68	JAN	REVISED FOR MANUFACTURE
7	10/11/68	JAN	REVISED FOR MANUFACTURE
8	10/11/68	JAN	REVISED FOR MANUFACTURE
9	10/11/68	JAN	REVISED FOR MANUFACTURE
10	10/11/68	JAN	REVISED FOR MANUFACTURE
11	10/11/68	JAN	REVISED FOR MANUFACTURE
12	10/11/68	JAN	REVISED FOR MANUFACTURE
13	10/11/68	JAN	REVISED FOR MANUFACTURE
14	10/11/68	JAN	REVISED FOR MANUFACTURE

WANG PART NO.	ITEM	QTY	NAME	MATERIAL	DESCRIPTION
210-6785	1	1	SCHEMATIC LOGIC BLOCK		
210-6785	1	1	DAISY CHAIN MULTIPLEXER		

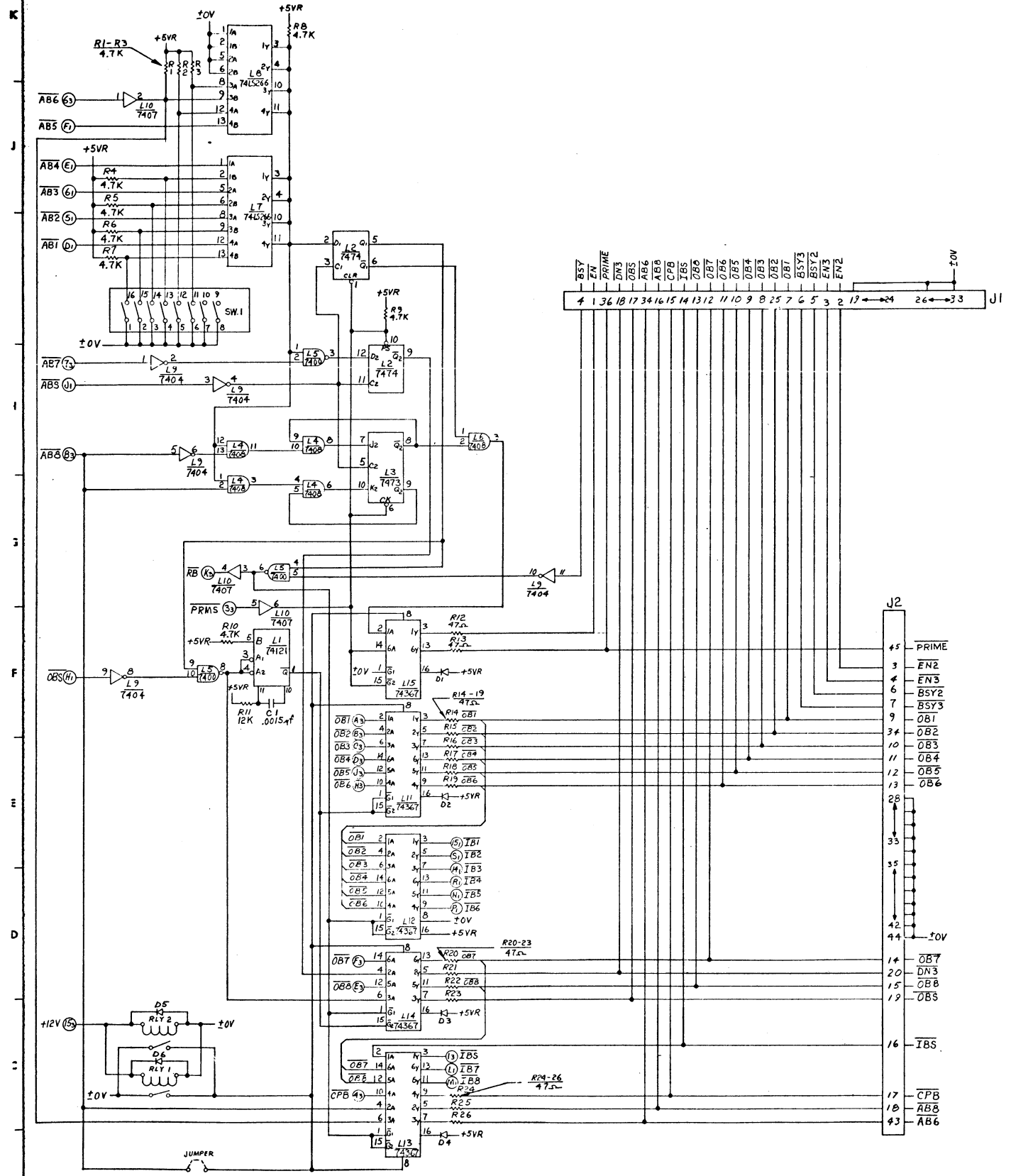
WANG LABORATORIES, INC. MODEL NO. 2230 MxA

TITLE: SCHEMATIC LOGIC BLOCK DAISY CHAIN MULTIPLEXER

210-6785 E 6785

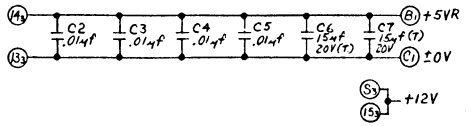
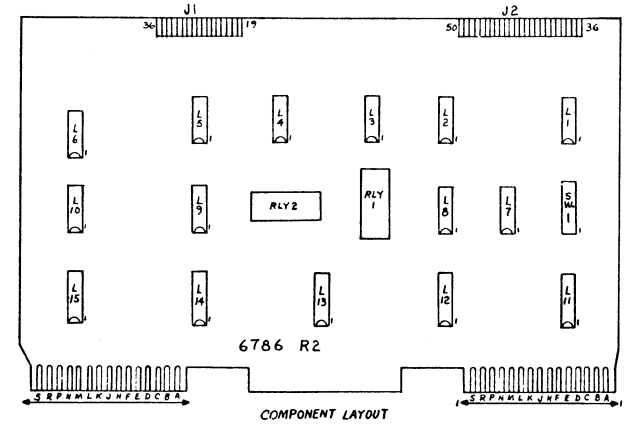
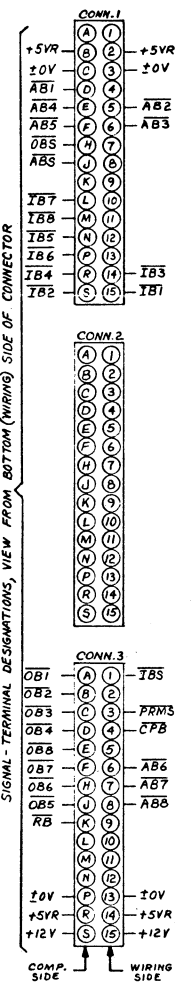
THIS DOCUMENT IS THE PROPERTY OF WANG LABORATORIES, INC. AND SHALL NOT BE REPRODUCED OR COPIED OR USED AS A BASIS FOR THE MANUFACTURE OR SALE OF ANYTHING OR DEVICE WITHOUT PERMISSION.

HOLE LEGEND		
DRILLED OR PUNCHED HOLE TOLERANCE	HOLE DIA.	TOL.
Ø	Ø.125 ± .005	± .005
Ø	Ø.1875 ± .005	± .005
Ø	Ø.250 ± .005	± .005



LOCATION	W.L. PART NO.	TERM. NO. 50V	TERM. NO. 15V
L1	376-0051	7	14
L2	376-0006	7	14
L3	376-0005	11	4
L4,6	376-0081	7	14
L5	376-0002	7	14
L7,8	376-0148	7	14
L9	376-0010	7	14
L10	376-0056	7	14
L11-15	376-0176		

COMPONENT	W.L. PART NO.
SW 1	325-1503
SW1 CAP	325-9047
J2	350-1027
J1	350-1038
R1-10	330-3047
R11	330-4012
R12-26	330-1047
C1	300-1907
C2-5	300-1903
C6,7	300-4022
D1-4	380-0000
D5,6	380-1001
RLY 1,2	320-0047

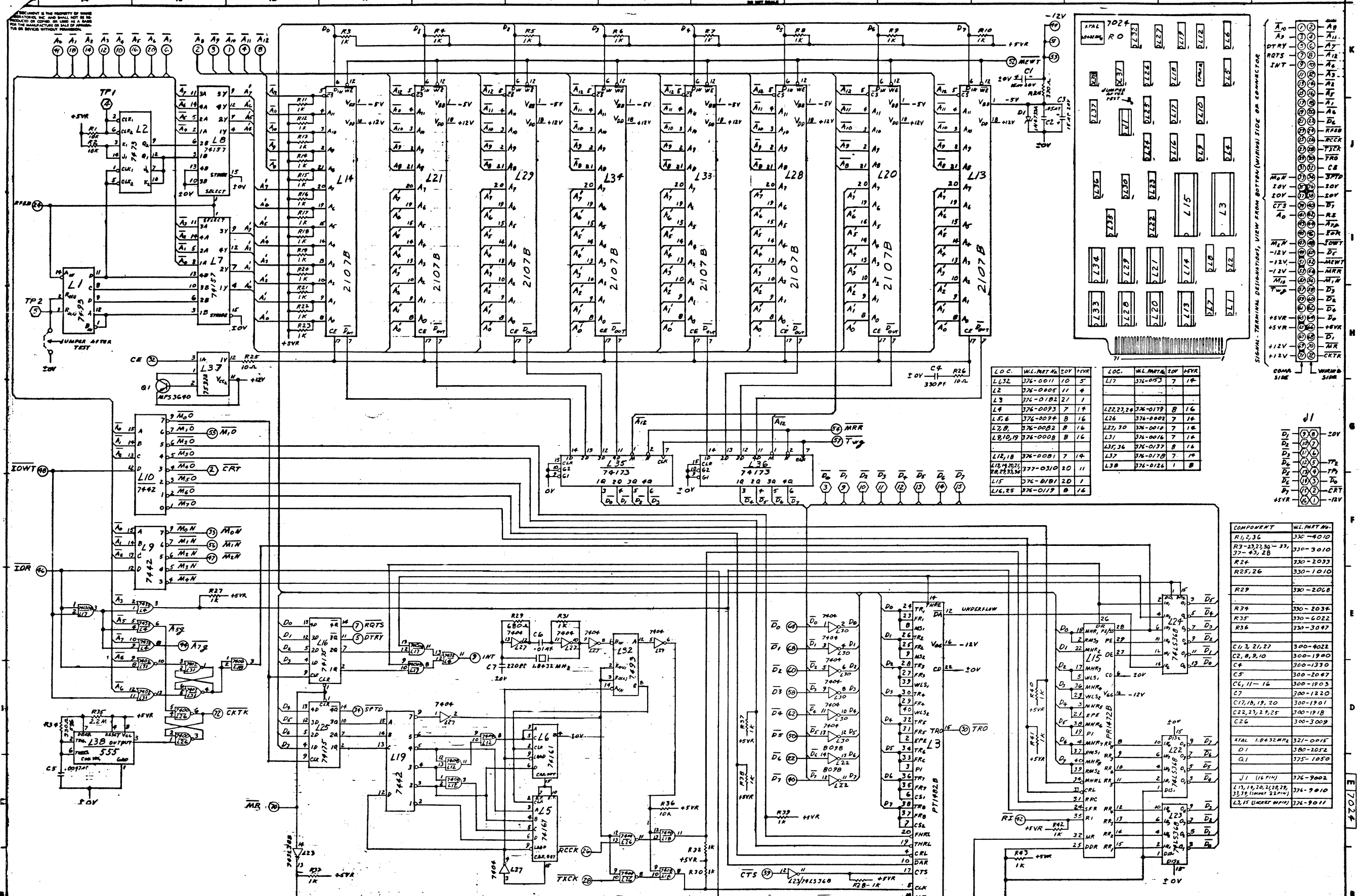


REV.	DATE	BY	DESCRIPTION
1	10-1-68	WJ	INITIAL DESIGN
2	10-1-68	WJ	REVISED PER COMMENTS
3	10-1-68	WJ	REVISED PER COMMENTS
4	10-1-68	WJ	REVISED PER COMMENTS
5	10-1-68	WJ	REVISED PER COMMENTS
6	10-1-68	WJ	REVISED PER COMMENTS

WANG PART NO.	ITEM	QTY.	NAME	MATERIAL	DISPOSITION
210-6786	E	2	SCHEMATIC LOGIBLOC MULTIPLEXER SLAVE CONTROL CARD		

DATE	BY	DATE	APPROVED BY	DATE
10-1-68	WJ	10-1-68	WJ	10-1-68

WANG LABORATORIES, INC.
 MODEL NO. 2230 MxB
 TITLE: SCHEMATIC LOGIBLOC MULTIPLEXER SLAVE CONTROL CARD
 210-6786 E 6786 2
 WANG PART NUMBER: 210-6786 E 6786 2



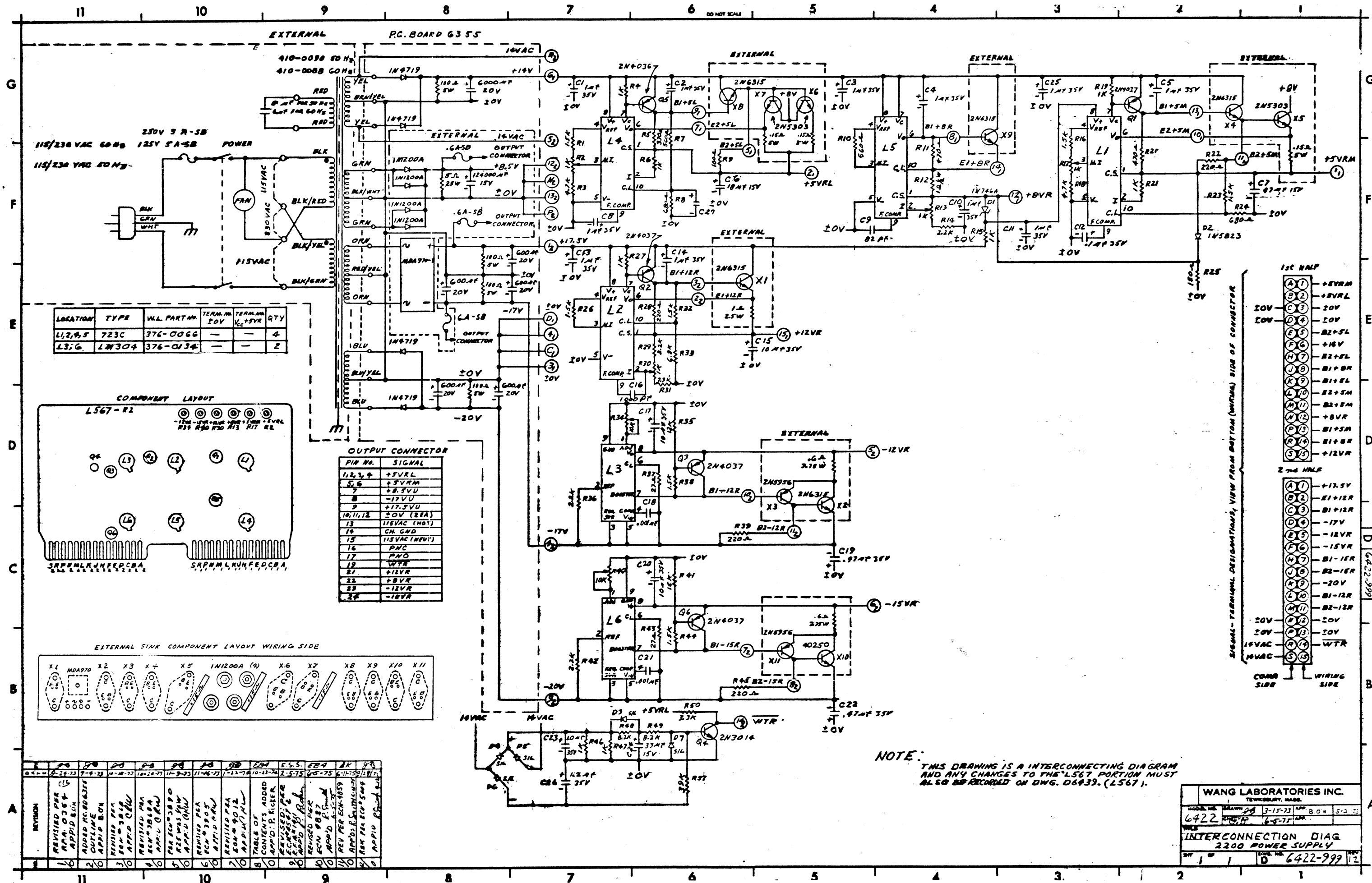
THIS DOCUMENT IS THE PROPERTY OF WANG COMMUNICATIONS, INC. AND SHALL NOT BE REPRODUCED OR COMPILED IN ANY MANNER WITHOUT THE WRITTEN PERMISSION OF WANG COMMUNICATIONS, INC.

LOC.	WL PART NO.	QTY	FRY
L132	376-0011	70	5
L2	376-0005	11	4
L3	376-0182	21	1
L4	376-0093	7	14
L5,6	376-0094	8	16
L7,8	376-0082	8	16
L8,10,19	376-0008	8	16
L12,18	376-0081	7	14
L13,14,20,21,22,23,24	377-0310	20	11
L15	376-0179	20	1
L16,25	376-0179	8	16

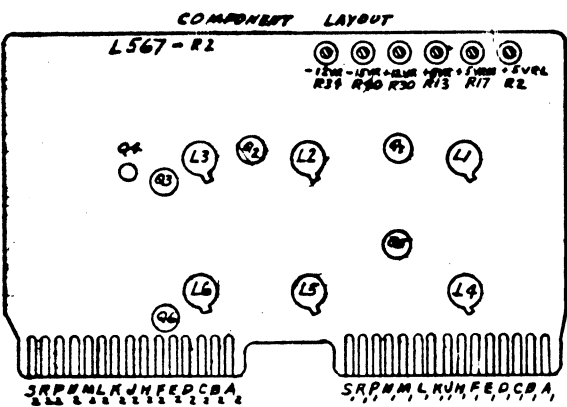
COMPONENT	WL PART NO.
R1,2,3,6	330-4010
R3-23,25,26-28,31-43,28	330-3010
R24	330-2033
R25,26	330-1010
R29	330-2008
R34	330-2034
R35	330-6022
R36	330-3047
C1,2,21,27	300-4022
C2,8,9,10	300-1940
C4	300-1330
C5	300-2047
C6,11-14	300-1903
C7	300-1220
C7,18,19,20	300-1901
C22,23,24,25	300-1918
C26	300-3009
ITAL 1.0632MR	321-0015
D1	380-2052
Q1	375-1050
J1 (1/6 PIN)	376-9002
L13,14,20,21,22,23,24,25,26,27,28,29,30,31,32,33,34,35,36,37,38,39,40,41,42,43	376-9010
L3,15 (CHECK W/PIN)	376-9011

WANG PART NO.	ITEM	QTY	NAME	MATERIAL	DESCRIPTION
222B					

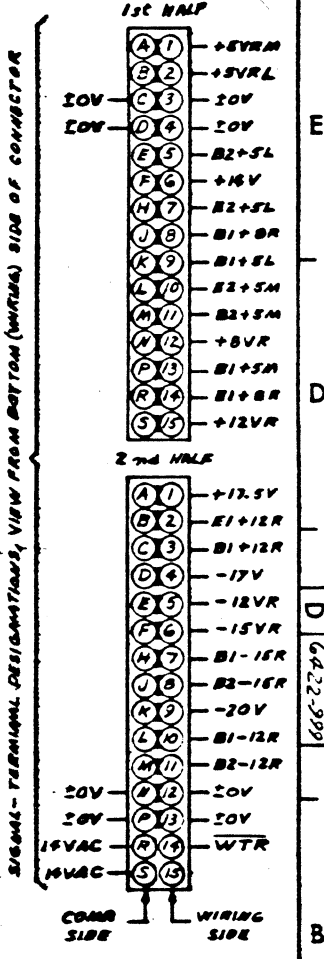
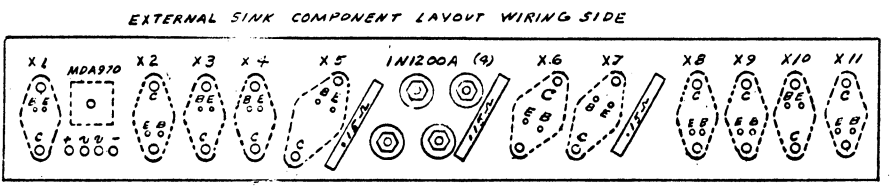
REV	DATE	BY	DESCRIPTION
1			



LOCATION	TYPE	VAL. PART NO.	TERM. NO.	TERM. VAL.	QTY
L1,2,4,5	723C	376-0066	-	1/2 +5VRL	4
L3,6	LM304	376-CJ34	-	-	2



PIN NO.	SIGNAL
1,2,3,4	+5VRL
5,6	+5VRLM
7	+8.5VU
8	-17VU
9	+17.5VU
10,11,12	20V (2EA)
13	115VAC (HOT)
16	CH. GND
15	115VAC (NEUT)
16	PNC
17	PND
19	WTR
21	+12VR
22	+8VR
23	-12VR
24	-15VR

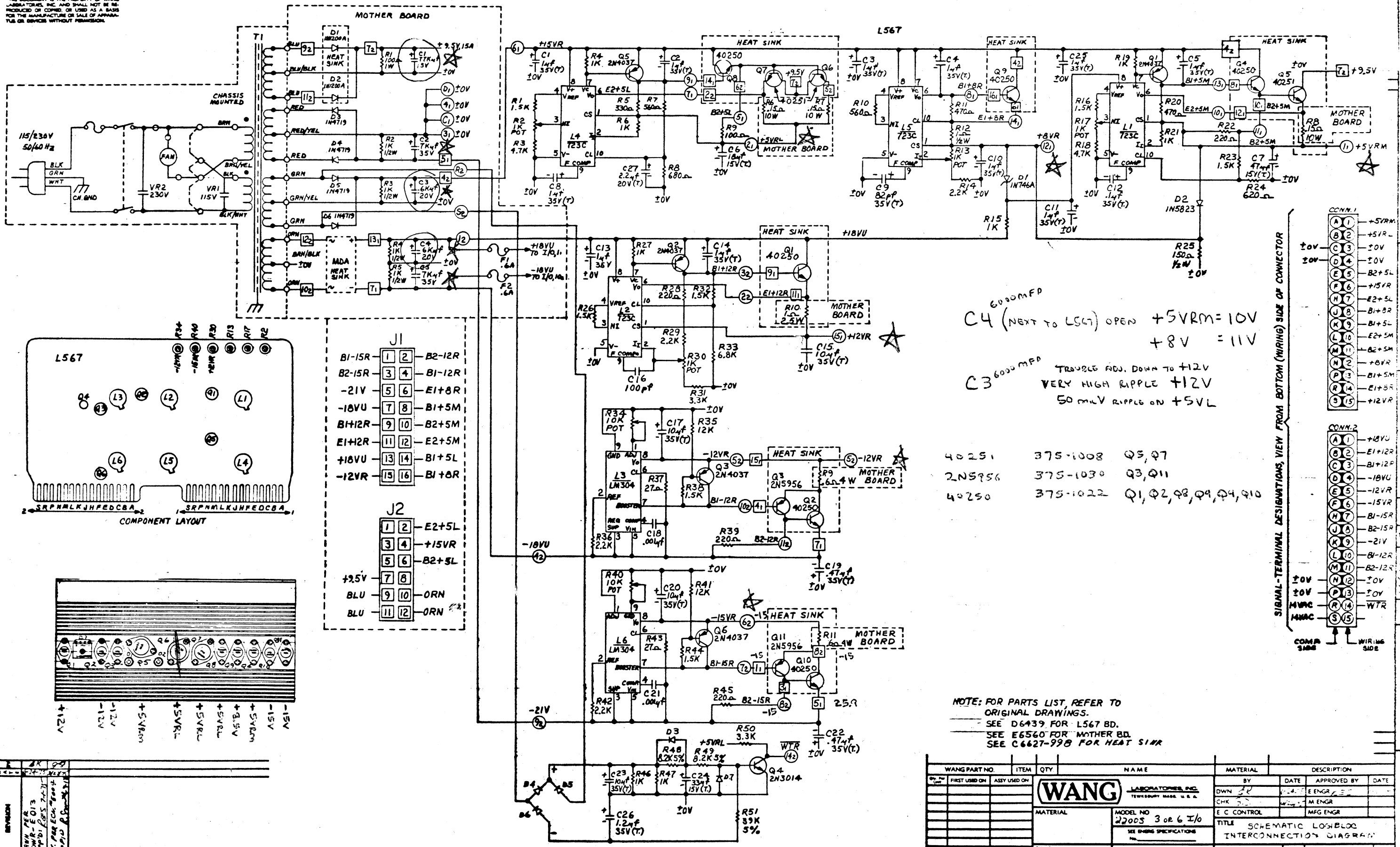


NOTE: THIS DRAWING IS AN INTERCONNECTING DIAGRAM AND ANY CHANGES TO THE L567 PORTION MUST ALSO BE RECORDED ON DWG. D6439. (L567).

REVISION	DATE	BY	CHKD	DESCRIPTION
1	10-24-73	REVISED PER APP'D 0364
2	11-9-73	ADDED R1000
3	12-12-73	ADDED R1000
4	1-16-74	REVISED PER APP'D 0364
5	2-13-74	REVISED PER APP'D 0364
6	3-13-74	REVISED PER APP'D 0364
7	4-13-74	REVISED PER APP'D 0364
8	5-13-74	REVISED PER APP'D 0364
9	6-13-74	REVISED PER APP'D 0364
10	7-13-74	REVISED PER APP'D 0364
11	8-13-74	REVISED PER APP'D 0364
12	9-13-74	REVISED PER APP'D 0364

WANG LABORATORIES INC.
 INTERCONNECTION DIAG
 2200 POWER SUPPLY
 DWG. NO. 6422-999

THIS DOCUMENT IS THE PROPERTY OF WANG LABORATORIES, INC. AND SHALL NOT BE REPRODUCED OR COPIED, OR USED AS A BASIS FOR THE MANUFACTURE OR SALE OF APPARATUS OR DEVICES WITHOUT PERMISSION.



C4 (NEXT TO L567) OPEN +5VRM = 10V
 +8V = 11V
 C3 6000 MFD TRIMBLE ADJ. DOWN TO +12V
 VERY HIGH RIPPLE +12V
 50 mV RIPPLE ON +5VL

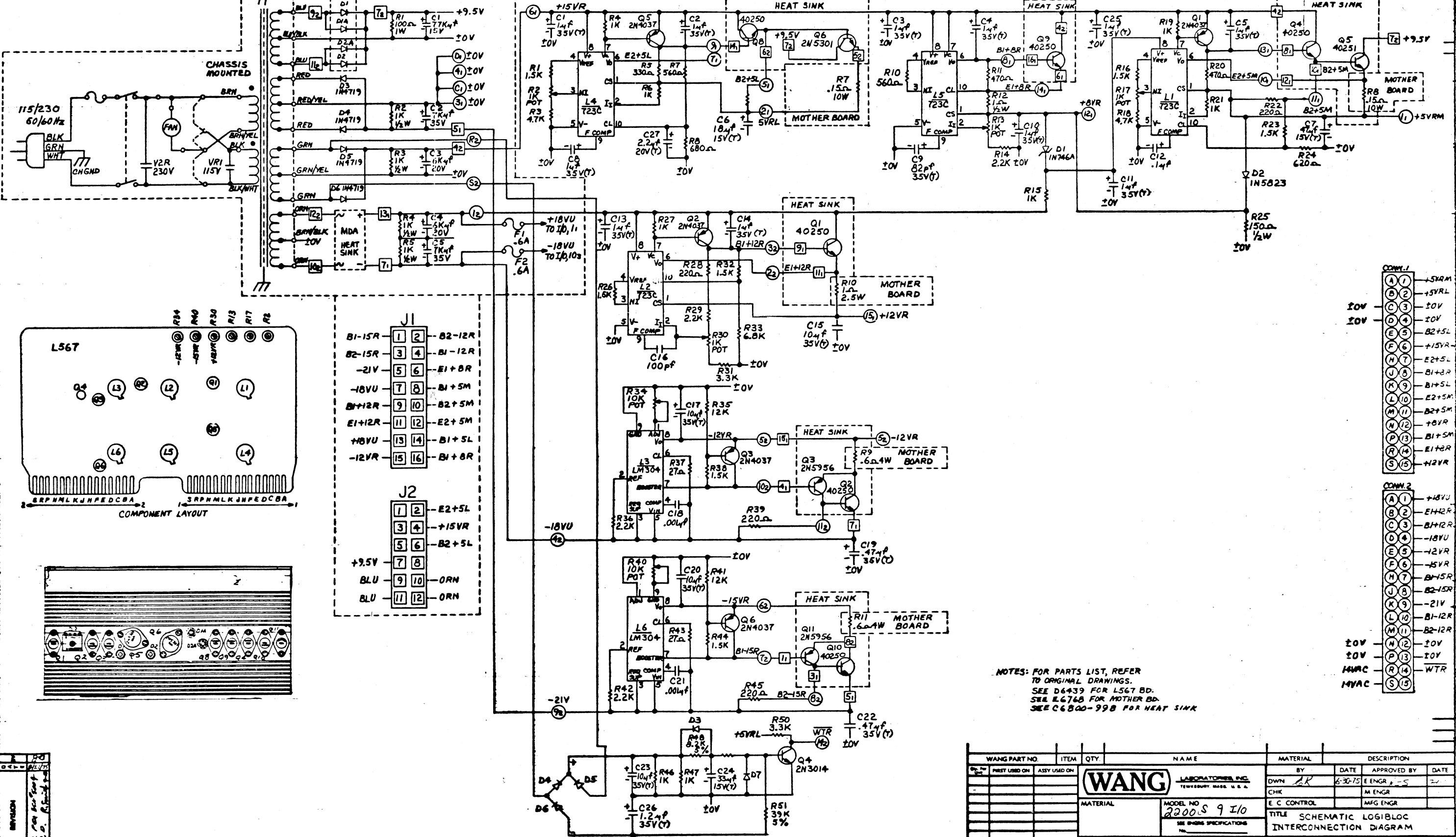
40251 375-1008 Q5, Q7
 2N5956 375-1030 Q3, Q11
 40250 375-1022 Q1, Q2, Q8, Q9, Q10

NOTE: FOR PARTS LIST, REFER TO ORIGINAL DRAWINGS.
 SEE D6439 FOR L567 BD.
 SEE E6560 FOR MOTHER BD.
 SEE C6627-99B FOR HEAT SINK

WANG PART NO.	ITEM	QTY	NAME	MATERIAL	DESCRIPTION		
BY	FIRST USED ON	ASSY USED ON	WANG LABORATORIES, INC. TELEPHONE MADE U.S.A.	BY	DATE	APPROVED BY	DATE
CHK				OWN		ENGR	
				CHK		M ENGR	
						E C CONTROL	MFG ENGR
						TITLE SCHEMATIC LOGIC BLOCK INTERCONNECTION DIAGRAM	
						TOL. EX. AS NOTED	
						X0 ± 0.10 PRAC ± 1/64	
						X00 ± 0.05 ANG ± 1°-30° FINISH	
						SCALE 1/4" = 1"	REV
						WANG PART NUMBER	SIZE
						D 6627-999	1

REVISION	DATE	BY	DESCRIPTION
1	APR 1965	WJL	REV. PER E.C. 7-1-65
2	MAY 1965	WJL	REV. PER E.C. 7-1-65
3	MAY 1965	WJL	REV. PER E.C. 7-1-65

THIS DOCUMENT IS THE PROPERTY OF WANG LABORATORIES, INC. AND SHALL NOT BE REPRODUCED OR COPIED, OR USED AS A BASIS FOR THE MANUFACTURE OR SALE OF APPARATUS OR DEVICES WITHOUT PERMISSION.



NOTES: FOR PARTS LIST, REFER TO ORIGINAL DRAWINGS.
 SEE D6439 FOR L567 BD.
 SEE E6768 FOR MOTHER BD.
 SEE C6800-998 FOR HEAT SINK

WANG PART NO.	ITEM	QTY.	NAME	MATERIAL	DESCRIPTION
PREST USED ON	ASSY USED ON		WANG	BY	DATE
			LABORATORIES, INC.	DWN	6-30-75
			TEMPERARY BANG, U.S.A.	CHK	E ENGR
			MODEL NO	E C CONTROL	MFG ENGR
			2200S 9 I/O	TITLE	SCHEMATIC LOGIBLOC
			SEE ENGINE SPECIFICATIONS		INTERCONNECTION DIAGRAM
			FINISH		
			TOL. EX. AS NOTED		
			JXX ± 0.10 PRAC ± 1/64		
			XXX ± 0.05 AMS ± 1-30 FINISH		
			SCALE	SHT	OF
				WANG PART NUMBER	SIZE
				D	6800-997
				DRAWING NUMBER	REV

7

0

3

4

DO NOT SCALE

3

2

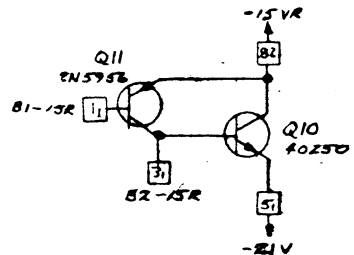
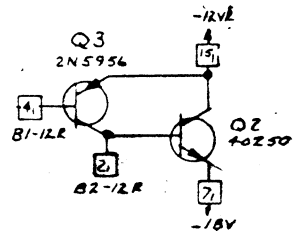
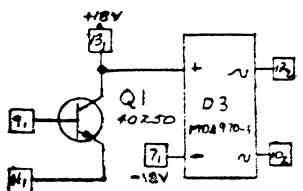
1

HOLE LEGEND

FINISH OR TOLERANCE	HOLE DIA	TOL
DRILL OR PUNCHED HOLE	Ø.25 - .125	±.002
	.126 - .250	±.003
	.251 - .500	±.005

IDENT	DESCRIPTION	QTY
A		

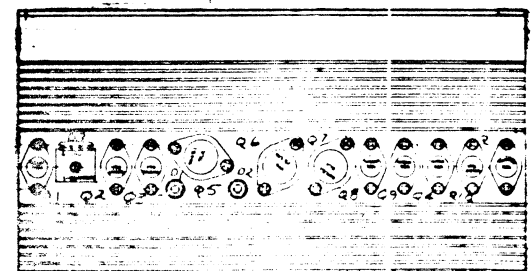
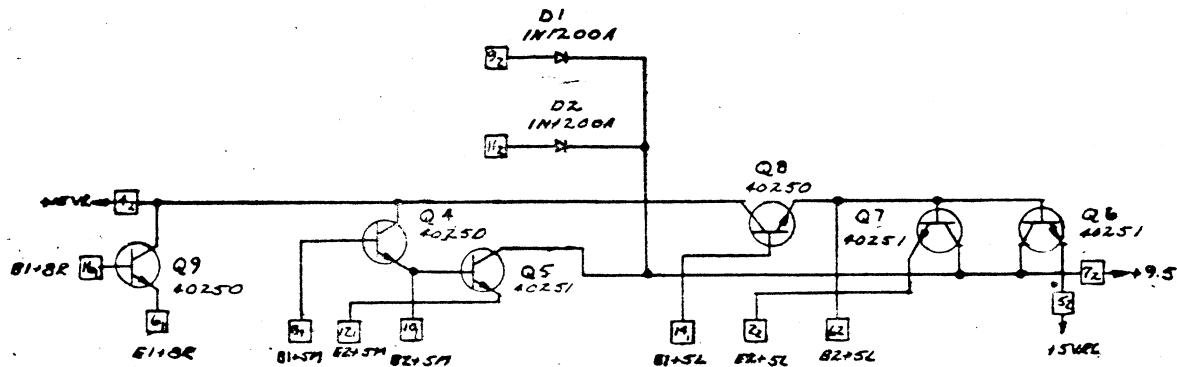
B1+12R
E1+2R



NOTES:

1. SEE DWG. D6627-4 FOR MECHANICAL ASSEMBLY
2. SEE PL. 6627-4 FOR MECH. AND ELECT. PARTS REQUIRED
3. SEE DWG. R6560-(6/10) 66439 FOR POWER SUPPLY REGULATOR.
4. FOR INTERCONNECTION SEE D6627-999

COMPONENT	QTY. NO.
Q1, 2, 9, 8, 9, 10	375-1022
Q3, 11	375-1030
Q5, 6, 7	375-1008
D1, 2	380-3000
D3	380-4003



REVISION	DATE	BY	DESCRIPTION
1	REV PER REV-4882	APP'D BY [Signature]	
2	REV PER REV-4882	APP'D BY [Signature]	

WANG PART NO	ITEM	QTY	NAME	MATERIAL	DESCRIPTION
270-0256			WANG LABORATORIES, INC. TEMSBURY MASS U.S.A.		
			MODEL NO 2200S 3 OR 6 I/O		
			SEE ENGRG SPECIFICATIONS		
			TOL EX AS NOTED XX = .010 FRAC ± 1.64 XXX = .005 ANG ± 1.30° FINISH		
			SCALE 7/8		
			SHT 1 OF 1		
			270-0256	C	6627-978
			WANG PART NUMBER	SIZE	DRAWING NUMBER
					REV

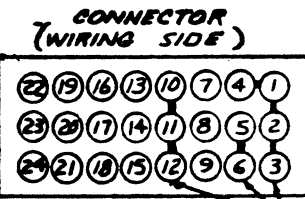
THIS DOCUMENT IS THE PROPERTY OF WANG LABORATORIES, INC. AND SHALL NOT BE REPRODUCED OR COPIED, OR USED AS A BASIS FOR THE MANUFACTURE OR SALE OF APPARATUS OR DEVICES WITHOUT PERMISSION.

NOTES:

- 1) ASSEMBLE SHELL OF ITEM 1 AND ASSEMBLE ITEM 3 BEFORE SOLDERING WIRES IN PLACE.
- 2) JUMP PINS 1, 2, 3, & 4 USING 1 PASS ITEM 12
- 3) JUMP PINS 5 AND 6 USING 1 PASS ITEM 12
- 4) JUMP PINS 10, 11, & 12 USING 1 PASS ITEM 12
- 5) WIRE CONNECTOR PER CHART.
- 6) SLEEVE ITEM 14 WITH ITEM 10 ADD TO HARNESS PRIOR TO TY RAPPING.
- 7) STRIP WIRES BACK 1/4 INCH AND TIN 1/8 INCH ALL WIRES EXCEPT AS NOTED.
- 8) CRIMP ITEM 13 TO GRN/YEL WIRE 2 PLACES WERE SHOWN ON SHEET 2.

HOLE LEGEND		
DRILLED OR PUNCHED HOLE	HOLE DIA.	TOL.
	.0125 to .125	+ .001
	.126 to .250	+ .001
	.251 to .500	+ .001

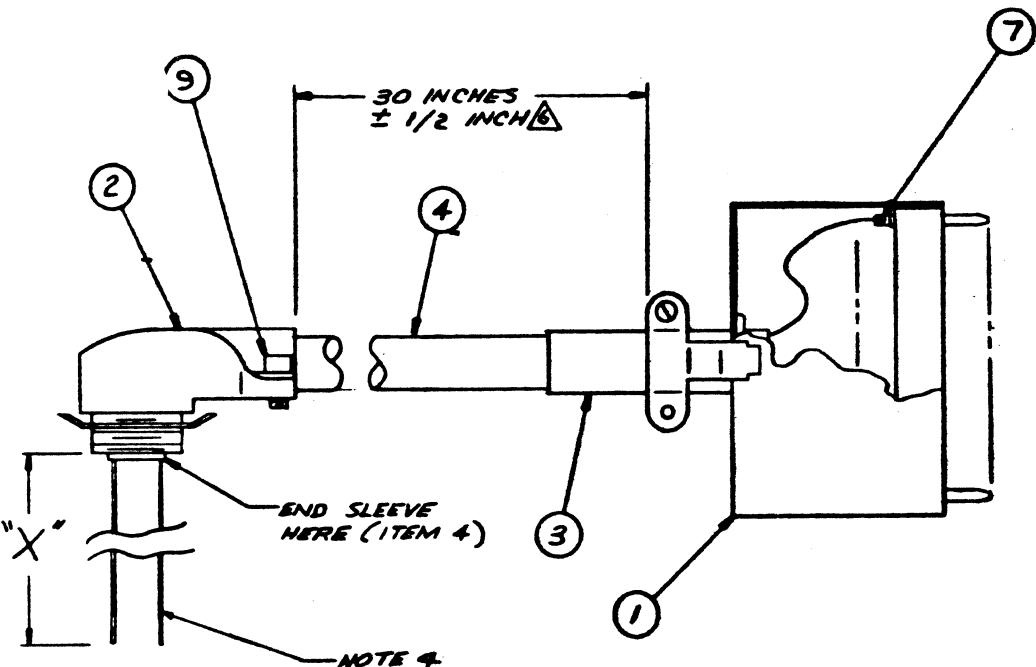
IDNT.	DESCRIPTION	QTY.
A		



12 SEE NOTE 3

CONN. PIN NO.	GAUGE	COLOR	LENGTH DIM. "X"	P.C. 6322 PIN NO.	SIGNAL NAME	WANG LABS PART NO.
1	16	RED	11 1/2"	1	+5VRL	600-7002
2	16	RED	12"	2	+5VRL	600-7002
3	16	RED	12 1/4"	3	+5VRL	600-7002
4				4		
5				5		
6	16	ORN	8"	6	+5VRM	600-7003
7	18	WHT/YEL	13"	7	+8.5VU	600-0094
8	18	WHT/VIO	13 3/4"	8	-17 VU	600-0097
9	18	WHT/BRN	13 3/4"	9	+17.5VU	600-0091
10	16	BLK	8 1/2"	10	±0V	600-7000
11	16	BLK	9 1/2"	12	±0V	600-7000
12	16	BLK	10 1/4"	18	±0V	600-7000
* 13	18	WHT/BLK	15 1/2"	13	115VAC	600-0090
* 14	18	GRN/YEL	23"	15	CHG. GND	600-0054
* 15	18	WHT	16 3/4"	14	AC NEUT.	600-0009
16	24	WHT/GRN	18 3/4"	9, (6311)	PNC	600-2095
17	24	WHT/YEL	18 3/4"	10, (6311)	PNO	600-2094
18						
19	24	WHT/ORN	18 3/4"	14, (6311)	WTR	600-2093
20						
21	18	BLU	7"	21	+12VR	600-0006
22	18	BRN	7"	22	+8VR	600-0001
23	18	WHT/BLU	7"	23	-12VR	600-0096
24	18	GRY	7 1/2"	24	-15VR	600-0008

* WIRES #13 AND #15 (115 VAC AND AC NEUT.) ARE TO BE TWISTED PAIR AND SLEEVED WITH ITEM 10.



WANG PART NO.	ITEM	QTY.	NAME	MATERIAL	DESCRIPTION
420-1005	14	1	FAN CORD		18 INCHES LONG
654-9050	13	2	RING TONGUE TERM		#6 RED BURNDY
600-9018	12	.75'	BUSS WIRE		#18 GA TINNED
605-1004	11	9	CABLE TIE		TY-RAP
605-0012	10	2.5'	TUBING # 4		
650-4125	9	2	SCR, SOC-CAP # B-32 X 3/8		BLACK OXIDE FINISH
	8				
660-0200	7	AIR	SOLDER		60-40 ALLOY
	6				
	5				
605-0104	4	2875	SLEEVE (1/2" TUBING)		BLACK (34 1/2 INCHES)
350-4105	3	1	# 5 BUSHING (CANNON)		1B220-10
654-1237	2	1	90° CONNECTOR (STRAIN RELIEF)		
350-2055	1	1	CONNECTOR (CINCH-JONES)		P-324-CCT

REV.	DATE	BY	REASON
1	8-24-72	CB	REVISED PER RFA 4-0-74 APP'D B.O.H.
2	9-18-73	CB	REV. PER. RFA 0392 LET 9-18-73
3	10-17-73	CB	REV. PER. ECH 3261
4	11-23-73	CB	APP'D D.L. 11-23-73
5	2-13-74	CB	REV. PER. RFA 0713 JRB 2-13-74
6	4-22-74	CB	REVISED PER RFA. NR 0873 JRB 4-18-74
7	7-1-74	CB	REV. PER. ECH 4165 5/14/74

WANG LABORATORIES, INC. NEWBURY MASS. U.S.A.

MODEL NO 2200

SEE ENGR SPECIFICATIONS No. ES-1001

TOL. EX. AS NOTED
XX ± 010 FRAC. ± 1/64
XXX ± 005 ANG. ± 1° 30' FINISH V

SCALE: NONE SHIT 1 OF 2

BY	DATE	APPROVED BY	DATE
DWN F.E. SOUSA	23 MAR 74	E ENGR R. W. /	4/10/74
CHK		M ENGR	
E C CONTROL		MFG ENGR Z.L.	10/17/74

TITLE: CPU POWER CABLE

220-0100 C 6422-125 6

WANG PART NUMBER SIZE DRAWING NUMBER REV

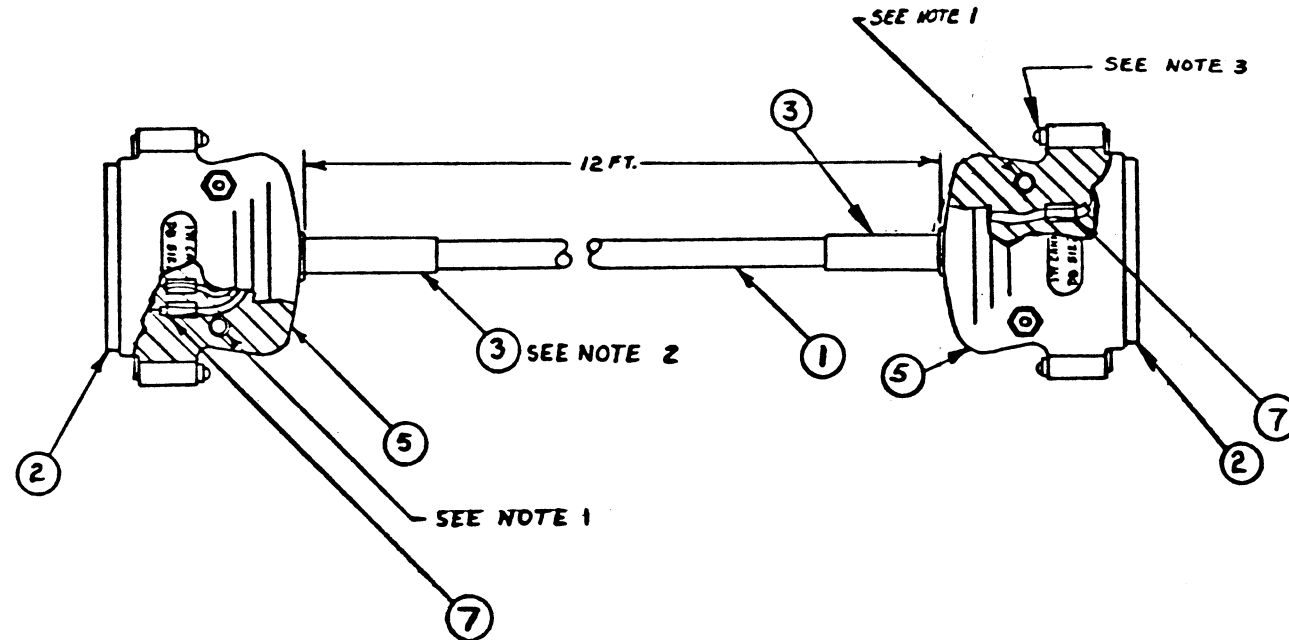
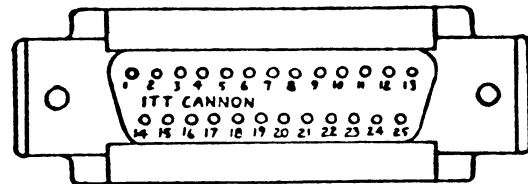
THIS DOCUMENT IS THE PROPERTY OF WANG LABORATORIES, INC. AND SHALL NOT BE REPRODUCED OR COPIED OR USED AS A BASIS FOR THE MANUFACTURE OR SALE OF APPARATUS OR DEVICES WITHOUT PERMISSION.

DO NOT SCALE

NOTES:

1. STRIP OUTER INSULATION $1\frac{1}{4}$ " STRIP & TIN ALL WIRES $\frac{3}{16}$ "
2. ASSEMBLE ITEM 3 TO ITEM 1 BEFORE WIRING
3. HARDWARE SUPPLIED WITH ITEM 5.

HOLE LEGEND		
DRILLED OR PUNCHED HOLE TOLERANCES:	HOLE DIA.	TOL.
	.0125 to .125	$\pm .001$
	.126 to .250	$\pm .002$
	.251 to .500	$\pm .003$
IDENT.	DESCRIPTION	QTY.
A		



CANNON CONN. PIN NO.	WIRE NO.	CANNON CONN. PIN NO.	SIGNAL NAMES
1	1	1	(AA) PROTECTIVE GND
2	2	2	(BA) TRANSMITTED DATA
3	3	3	(BB) RECEIVED DATA
4	4	4	(CA) REQUEST TO SEND
5	5	5	(CB) CLEAR TO SEND
6	6	6	(CC) DATA SET READY
7	7	7	(AB) SIGNAL GND.
8	8	8	(CF) CARRIER DETECTOR
9	9	9	
10	10	10	
11	11	11	(SA) SUPERVISORY TRANS
12	12	12	(SB) SUPERVISORY REC.
13			
14			
15			
16			
17			
18			
19			
20	13	20	(CD) DATA TERMINAL READY
21			
22	14	22	(CE) RING INDICATOR
23			
24			
25			

WANG PART NO	ITEM	QTY.	NAME	MATERIAL	DESCRIPTION
605-0002	7	AR	SLEEVE		#15 3/8"
660-0202	6	AR	SOLDER		63/37 ALLOY
350-4215	5	2	CONN. SHELL		CANNON #DB 51226-1
350-4103	3	2	BUSHING #3		CANNON # 18220-6
350-1030	2	2	CONN. 25 PIN		ITT CANNON DB 25 P
420-0001	1	AR	CABLE		15 CONDUCTOR AWG 26

BY	DATE	APPROVED BY	DATE
DWN BK	12-10-73	E ENGR	12-11-73
CHK		M ENGR	
		E C CONTROL	
		MFG ENGR	

REV	DATE	BY	DESCRIPTION
1	2-13-74	JRB	REV PER PROTR
2	4-17-79	JRB	REVISED PER RFA. NO. 0876

FINISH	MODEL NO	TITLE	WANG PART NUMBER	SIZE	DRAWING NUMBER	REV
—	2200 T.C.	MODEM CABLE FOR BELL 100 & 200 SERIES MODEMS OR EQUIVALENT	220-0113	C	6482-5	2

REV	DATE	BY	DESCRIPTION
1	2-13-74	JRB	REV PER PROTR
2	4-17-79	JRB	REVISED PER RFA. NO. 0876

