

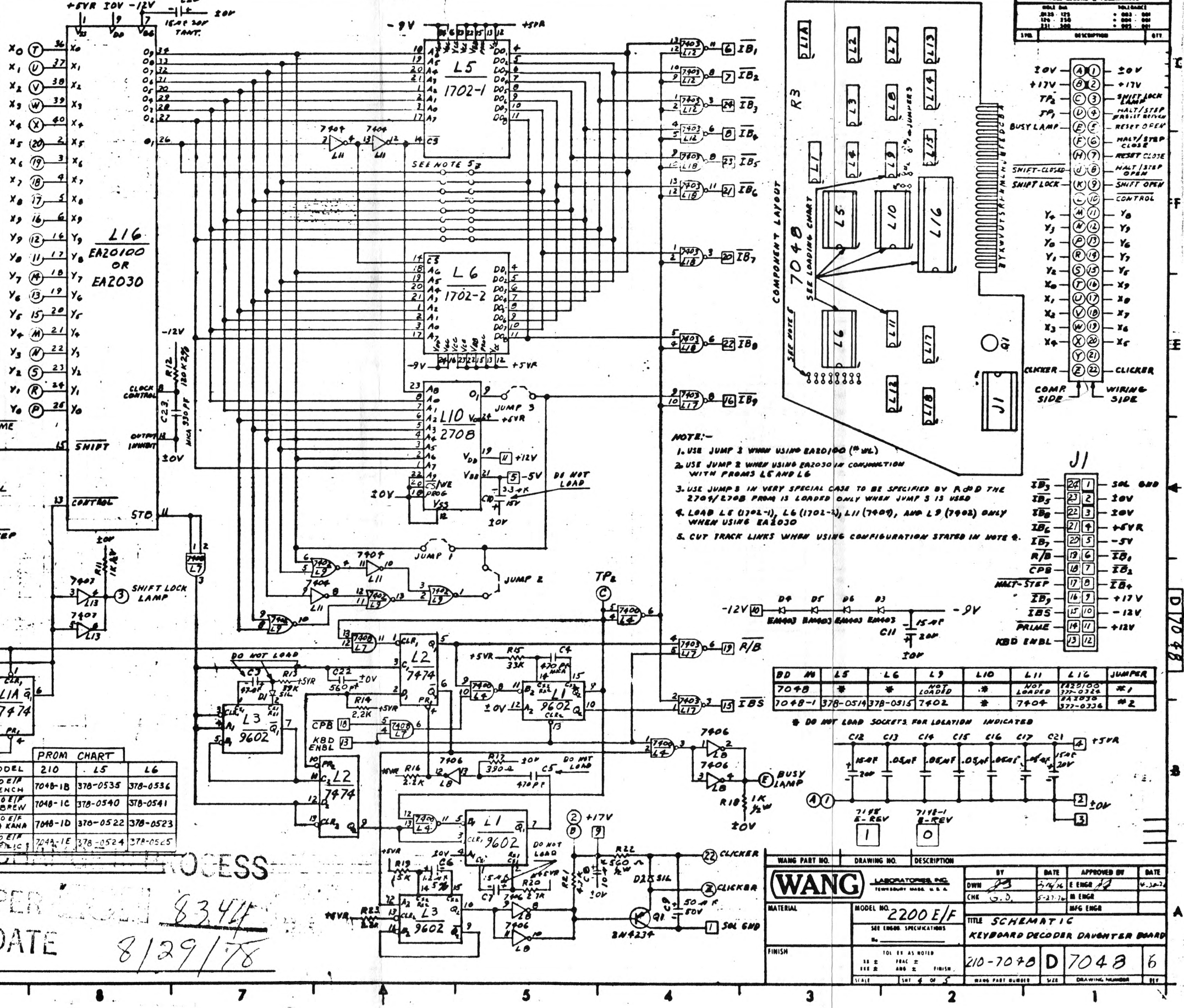
THE INFORMATION CONTAINED IN THIS DRAWING IS THE PROPERTY OF WANG LABORATORIES, INC. AND IS CONFIDENTIAL AND PROPRIETARY TO WANG LABORATORIES, INC. IT MAY NOT BE COPIED, REPRODUCED OR USED IN WHOLE OR IN PART FOR ANY REASON.

ALL DIMENSIONS IN PARENTHESES TOLERANCES TO BE EQUIVALENT TO SUCH DIMENSIONS.

LOCATION	W.L. PART NO.	PIN NO. SOV	PIN NO. +5VR
L1, 1A	376-0106	8	16
L2, 1A	376-0086	7	14
L3, 15	376-0002	7	14
L5, 6	SEE LOADING CHART		
L7	376-0081	7	14
L8	376-0055	7	14
L9	SEE LOADING CHART	7	14
L10	SEE LOADING CHART	12	24
L11	SEE LOADING CHART	7	14
L12, 17, 18	376-0028	7	14
L13	376-0056	7	14
L16	SEE LOADING CHART	9	1

IC TYPE	LOCATION	SPARE
7407	L13	1

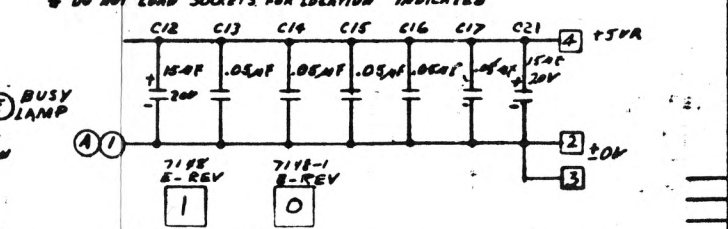
COMPONENT	W.L. PART NO.
R1-4, 2, 19, 16, 23-26	370-3082
R6, 8, 15	370-8039
R10, 17	370-2039
R11, 18	370-3078
R19	370-3045
R12	373-0048
R13	370-4039
R20	370-4027
R21	370-3047
R22	371-2056
C1, 2, 4, 5, 18	300-5005
C3	300-4020
C6	300-4026
C7, 11, 12, 20, 21	300-4022
C8	300-4032
C9	300-3010
C10	370-4016
C13, 14, 15, 16, 17	300-7900
C23	300-5009
C19	300-1330
D1, 2	380-1001
D4, 5, 6, 3	380-4000
C22	300-1560
Q1	375-1024
J4, 5, 6	376-9003
L16	376-9011
J1	376-9016



NOTE:-
 1. USE JUMP 3 WHEN USING EA20100 (W.L.)
 2. USE JUMP 2 WHEN USING EA2030 IN CONJUNCTION WITH PROMS L5 AND L6
 3. USE JUMPS IN VERY SPECIAL CASE TO BE SPECIFIED BY R.O.D THE 2708/2708 PROM IS LOADED ONLY WHEN JUMP 3 IS USED
 4. LOAD L5 (1702-1), L6 (1702-2), L11 (7409), AND L9 (7402) ONLY WHEN USING EA2030
 5. CUT TRACK LINKS WHEN USING CONFIGURATION STATED IN NOTE 4.

MODEL	210	L5	L6
2200 E/F FRENCH	7048-1B	378-0535	378-0536
2200 E/F HEBREW	7048-1C	378-0540	378-0541
2200 E/F KATA KANA	7048-1D	378-0522	378-0523
2200 E/F CYRILLIC	7048-1E	378-0524	378-0525

BD NO.	L5	L6	L9	L10	L11	L16	JUMPER
7048	*	*	NOID	*	NOT LOADED	EA20100	*1
7048-1	378-0514	378-0515	7402	*	7404	EA2030	*2



WANG PART NO.	DRAWING NO.	DESCRIPTION	BY	DATE	APPROVED BY	DATE
			DWH	5-14-78	E ENGR	4-30-78
			CMK	5-27-78	M ENGR	
					MFG ENGR	

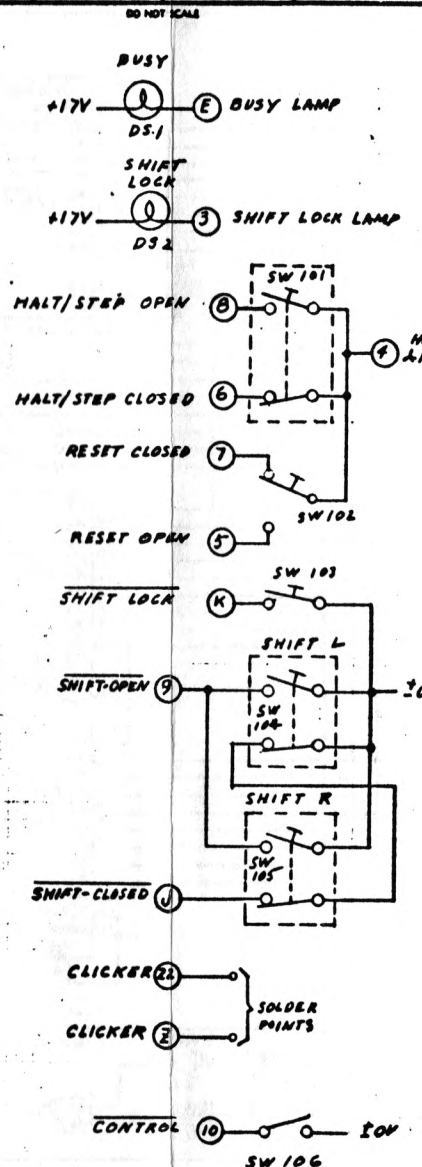
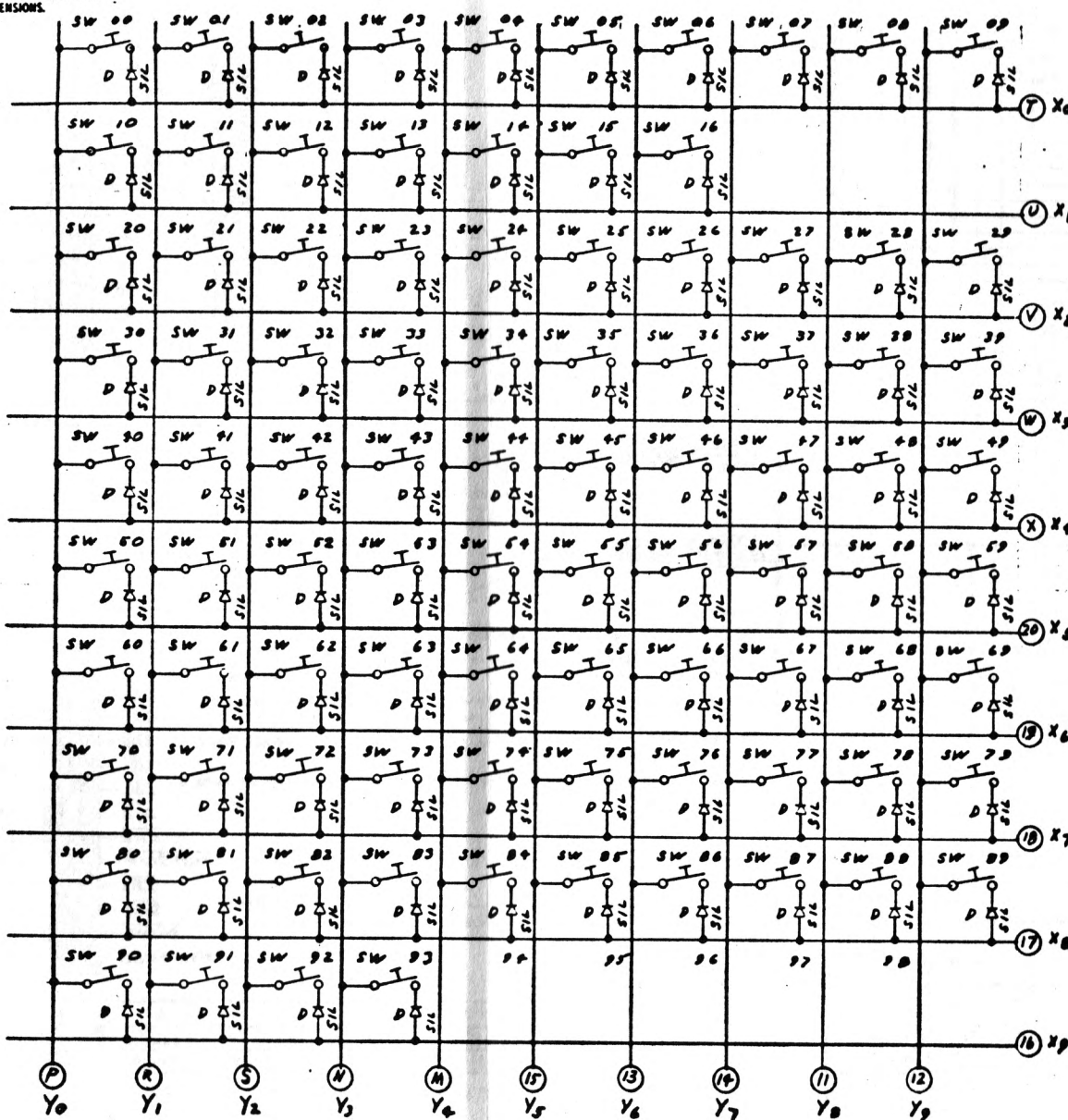
MODEL NO.	TITLE
2200 E/F	SCHEMATIC
	KEYBOARD DECODER DAUGHTER BOARD

FINISH	SCALE	SHEET #	TOTAL SHEETS	WANG PART NUMBER	SIZE	DRAWING NUMBER	REV
		1	6	210-7048	D	7048	6

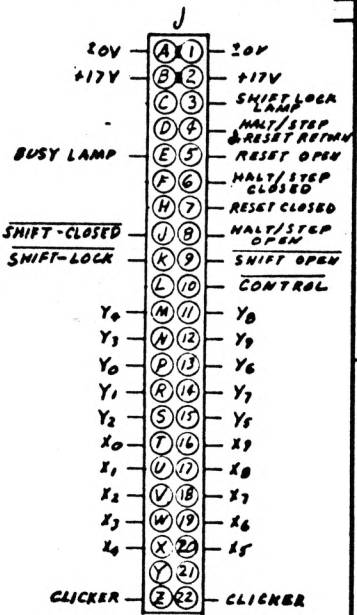
PROCESS
 PER 8344
 DATE 8/29/78

THE INFORMATION CONTAINED IN THIS DRAWING IS THE PROPERTY OF WANG LABORATORIES, INC. AND IS CONFIDENTIAL AND PROPRIETARY TO WANG LABORATORIES, INC. IT MAY NOT BE COPIED, REPRODUCED OR USED IN WHOLE OR IN PART FOR ANY REASON.

MILLIMETERS IN PARENTHESES. TOLERANCES TO BE EQUIVALENT TO INCH DIMENSIONS.



HOLE LEGEND & TOLERANCES		
HOLE DIA	TOLERANCE	
016 - 210	± .001 - .001	
121 - 210	± .001 - .001	
131 - 210	± .001 - .001	
S/A	DESCRIPTION	QTY



COMPONENT	W.L. PART No.
SW 00 - 16	325-2413
SW 20 - 93, 103	325-2405
SW 104, 109, 105	325-2407
SW 102	325-0026
SW 106	325-0020
D (514)	780-1001
DS 1, 2	370-0004
J (4-PIN)	850-0022

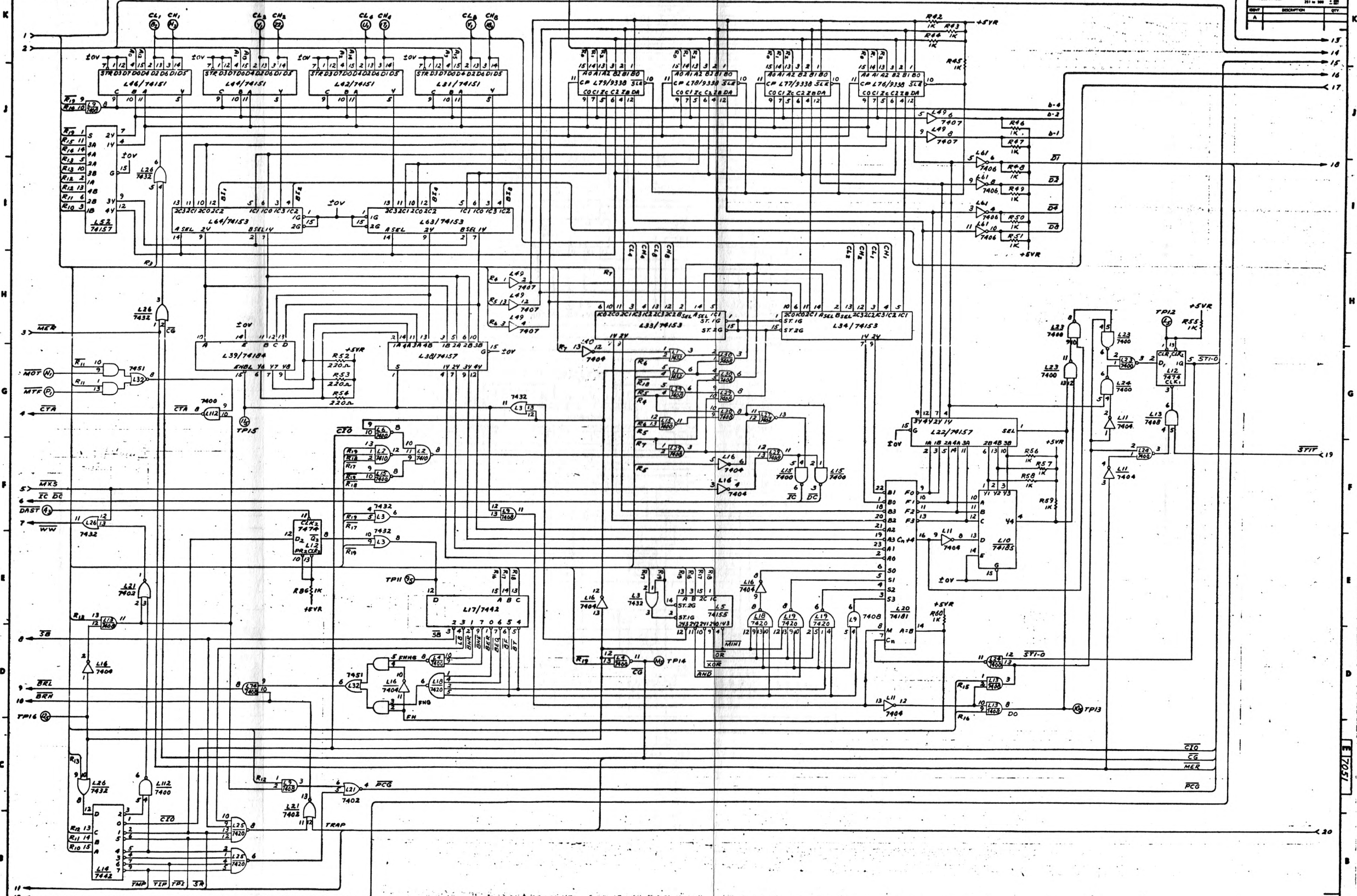
NO.	DATE	BY	DESCRIPTION
1	5-8-76
2	7-17-76

QTY	ITEM	WANG PART NO.	DRAWING NO.	DESCRIPTION
	NEXT ASSY.			

		BY DWR G.D. CHK G.D.	DATE 7-2-76 7-16-76	APPROVED BY E ENGR J... M ENGR	DATE 7-16-76
MATERIAL FINISH		MODEL NO. 2200 E/F SEE ENGR SPECIFICATIONS	TITLE SCHEMATIC KEYBOARD		
TO BE AS NOTED XX ± FRAC ± XXX ± ANG ± FINISH		220-7049 D 7049		2	

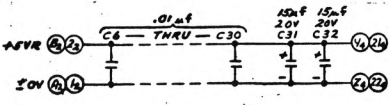
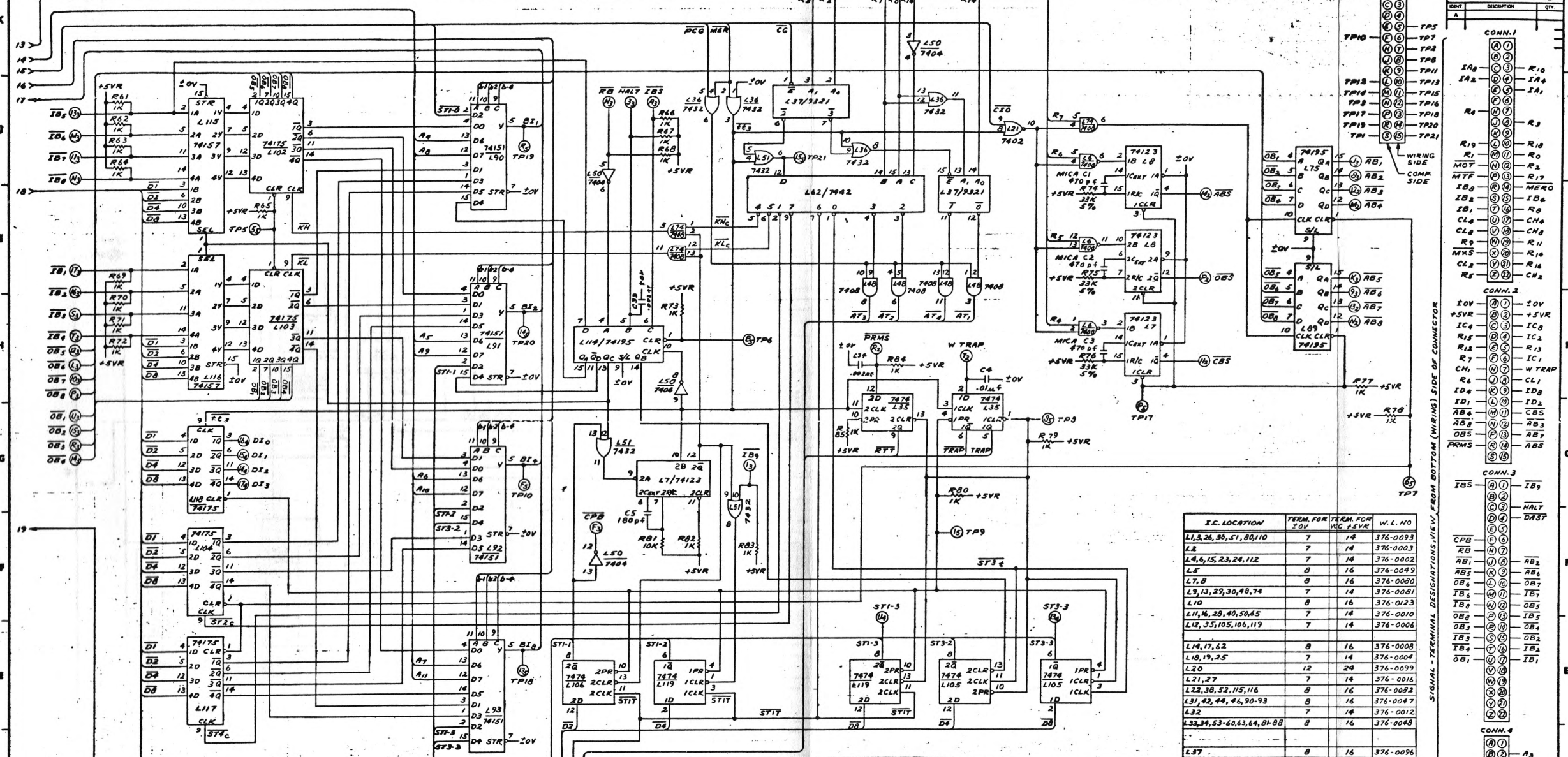
THIS DOCUMENT IS THE PROPERTY OF WANG LABORATORIES, INC. AND SHALL NOT BE REPRODUCED OR COPIED, IN WHOLE OR IN PART, FOR THE MANUFACTURE OF ANY APPARATUS OR DEVICE WITHOUT PERMISSION.

HOLE LEGEND		
DRILL	HOLE DIA.	PTH.
BURIED HOLE	#10 - 1/16	5.00
PLATED HOLE	#10 - 1/16	2.00
PLATED HOLE	#10 - 1/16	2.00

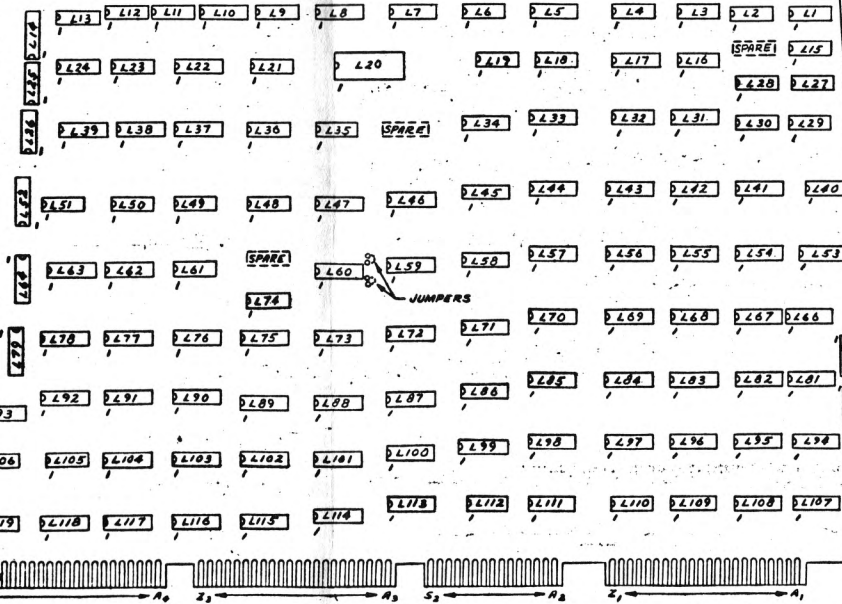


WANG PART NO.	ITEM	QTY	NAME	MATERIAL	DESCRIPTION																
2200E/F																					
<table border="1"> <thead> <tr> <th>BY</th> <th>DATE</th> <th>APPROVED BY</th> <th>DATE</th> </tr> </thead> <tbody> <tr> <td>OWN F.S.S.</td> <td>2/2/70</td> <td>E ENGR</td> <td></td> </tr> <tr> <td>CHK</td> <td></td> <td>M ENGR</td> <td></td> </tr> <tr> <td>E.C. CONTROL</td> <td></td> <td>MFG ENGR</td> <td></td> </tr> </tbody> </table>						BY	DATE	APPROVED BY	DATE	OWN F.S.S.	2/2/70	E ENGR		CHK		M ENGR		E.C. CONTROL		MFG ENGR	
BY	DATE	APPROVED BY	DATE																		
OWN F.S.S.	2/2/70	E ENGR																			
CHK		M ENGR																			
E.C. CONTROL		MFG ENGR																			
<table border="1"> <thead> <tr> <th>NO. ENGINE SPECIFICATIONS</th> <th>TITLE</th> </tr> </thead> <tbody> <tr> <td></td> <td>C.P.U.</td> </tr> </tbody> </table>						NO. ENGINE SPECIFICATIONS	TITLE		C.P.U.												
NO. ENGINE SPECIFICATIONS	TITLE																				
	C.P.U.																				
<table border="1"> <thead> <tr> <th>TOL. EX. AS NOTED</th> <th>SCALE</th> <th>DATE</th> <th>WANG PART NUMBER</th> <th>REV.</th> </tr> </thead> <tbody> <tr> <td>1/16 & 3/32 DIA. & 1/16 & 3/32 PITCH</td> <td>210-7051</td> <td>E 7051</td> <td>210-7051</td> <td>8</td> </tr> </tbody> </table>						TOL. EX. AS NOTED	SCALE	DATE	WANG PART NUMBER	REV.	1/16 & 3/32 DIA. & 1/16 & 3/32 PITCH	210-7051	E 7051	210-7051	8						
TOL. EX. AS NOTED	SCALE	DATE	WANG PART NUMBER	REV.																	
1/16 & 3/32 DIA. & 1/16 & 3/32 PITCH	210-7051	E 7051	210-7051	8																	

THIS DOCUMENT IS THE PROPERTY OF WANG LABORATORIES INC. IT IS TO BE REPRODUCED OR COPIED IN WHOLE OR IN PART WITHOUT PERMISSION.



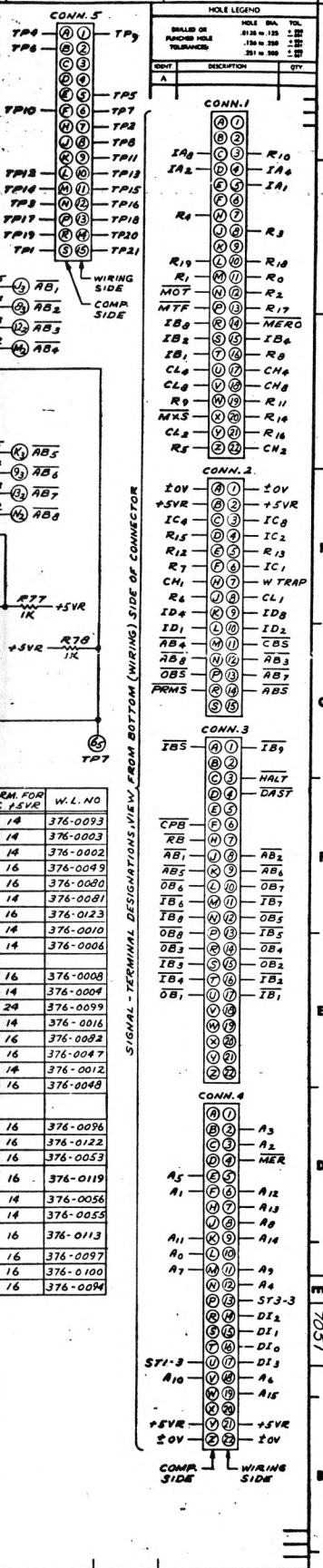
COMPONENT	W.L. NO.	BOARD NO.
R1-M, 22-37	330-2047	L80
R17-R21, 55-73, 77-80, 82-85, 86	330-3010	208-7051 376-7003
R22-54	330-2022	210-7051 376-0099
R27-76	330-4034	
R81	330-4010	
R87	370-209	
C33, 34	300-1713	
C36	300-5005	
C46-30	300-1903	
C5	300-1150	
C31, 32	300-4022	
L20	370-7003	
C35	300-7005	

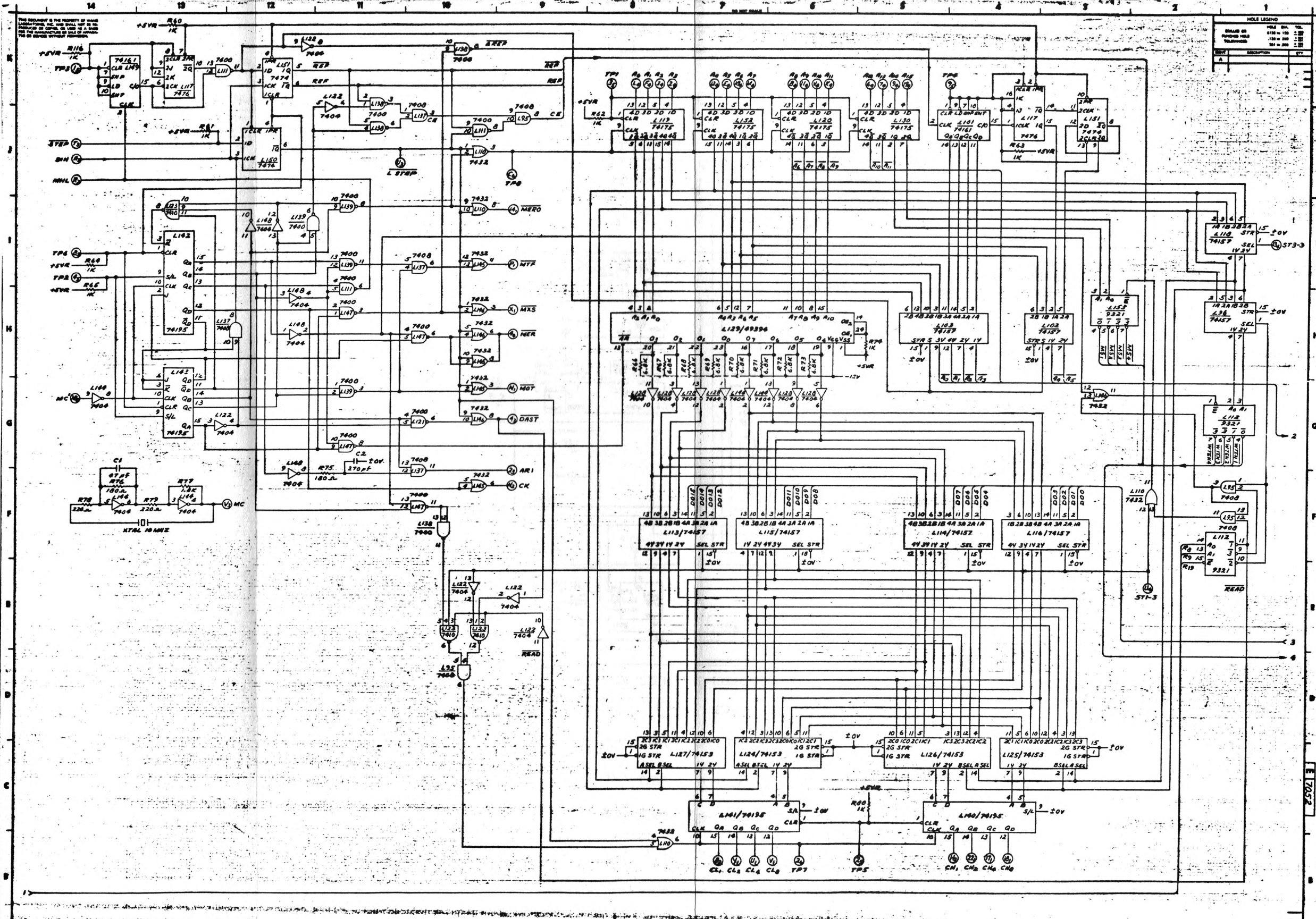


I.C. LOCATION	TERM. FOR 20V	TERM. FOR W.C. +5V	W.L. NO.
L1, 2, 26, 28, 31, 80, 110	7	14	376-0093
L2	7	14	376-0003
L4, 6, 15, 23, 24, 112	7	14	376-0002
L5	8	16	376-0049
L7, 8	8	16	376-0080
L9, 13, 29, 30, 48, 74	7	14	376-0081
L10	8	16	376-0123
L11, 16, 28, 40, 50, 55	7	14	376-0010
L12, 35, 105, 106, 119	7	14	376-0006
L14, 17, 62	8	16	376-0008
L18, 19, 25	7	14	376-0004
L20	12	24	376-0099
L21, 27	7	14	376-0016
L22, 38, 52, 115, 116	8	16	376-0082
L31, 42, 44, 46, 90-93	8	16	376-0047
L32	7	14	376-0012
L33, 34, 53-60, 63, 64, 81-88	8	16	376-0048
L37	8	16	376-0096
L39	8	16	376-0122
L41, 43, 59, 71, 73, 108	8	16	376-0053
L43, 45, 47, 94, 96, 98, 100, 102, 103, 104, 117, 118	8	16	376-0119
L49	7	14	376-0056
L61	7	14	376-0055
L66, 68, 70, 72, 95, 97, 99, 101	8	16	376-0113
L75, 89, 114	8	16	376-0097
L76-79	8	16	376-0100
L107, 109, 114, 113	8	16	376-0094

I.C. TYPE	LOCATION	SPARES
7432	L1	2
	L51	1
	L90	2
	L110	1
7410	L2	1
7400	L24	1
	L11	2
	L20	2
	L50	2
7408	L30	1
7402	L27	3
7407	L49	1
7406	L61	1
7474	L106	1

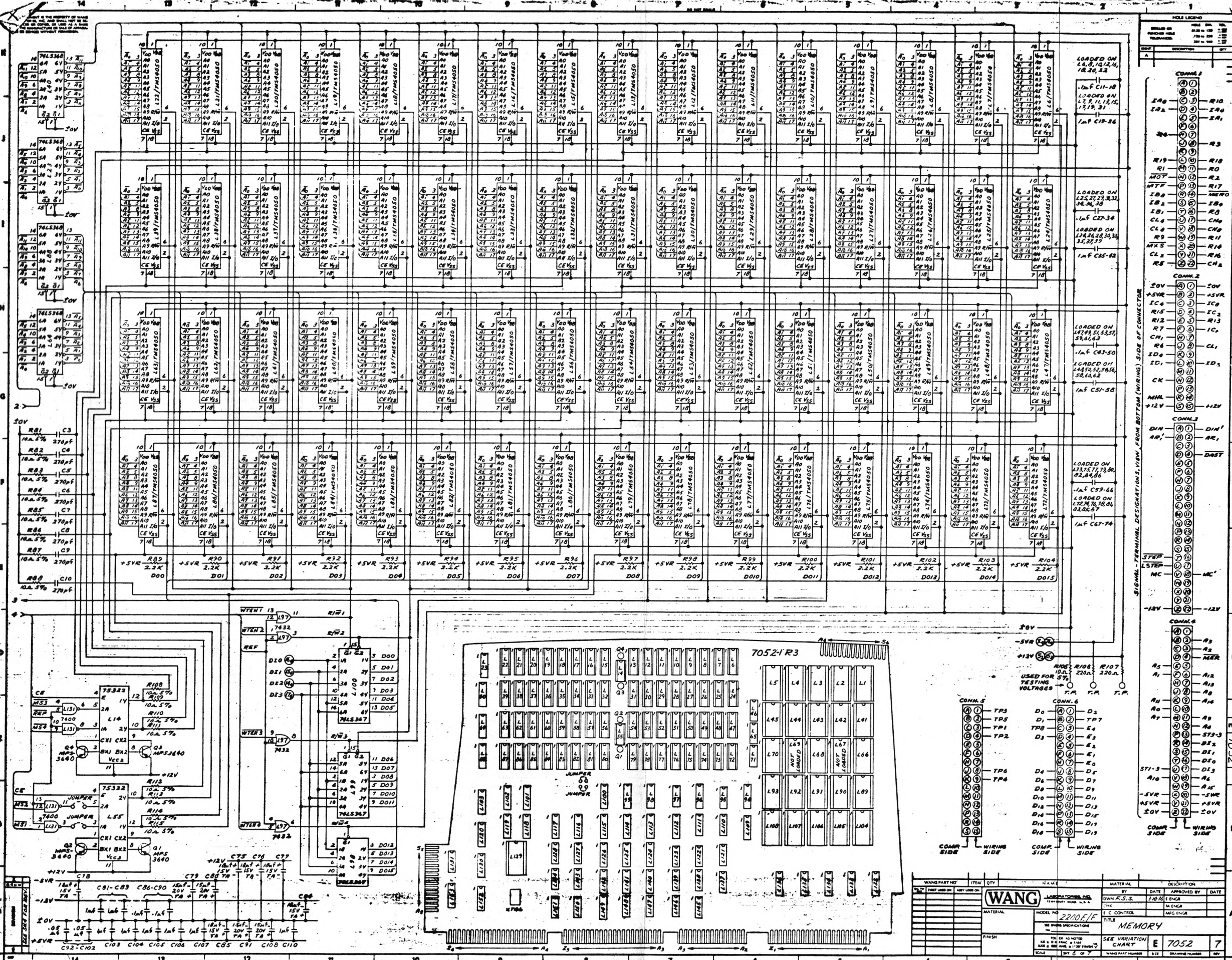
WANG PART NO.	ITEM	QTY	N.M.E.	MATERIAL	DESCRIPTION
WANG PART NO.	ITEM	QTY	N.M.E.	MATERIAL	DESCRIPTION
MODEL NO. 2200E/F TITLE: C.P.U. WANG PART NUMBER: 210-7051 E DRAWING NUMBER: 7051 SCALE: 1:1					



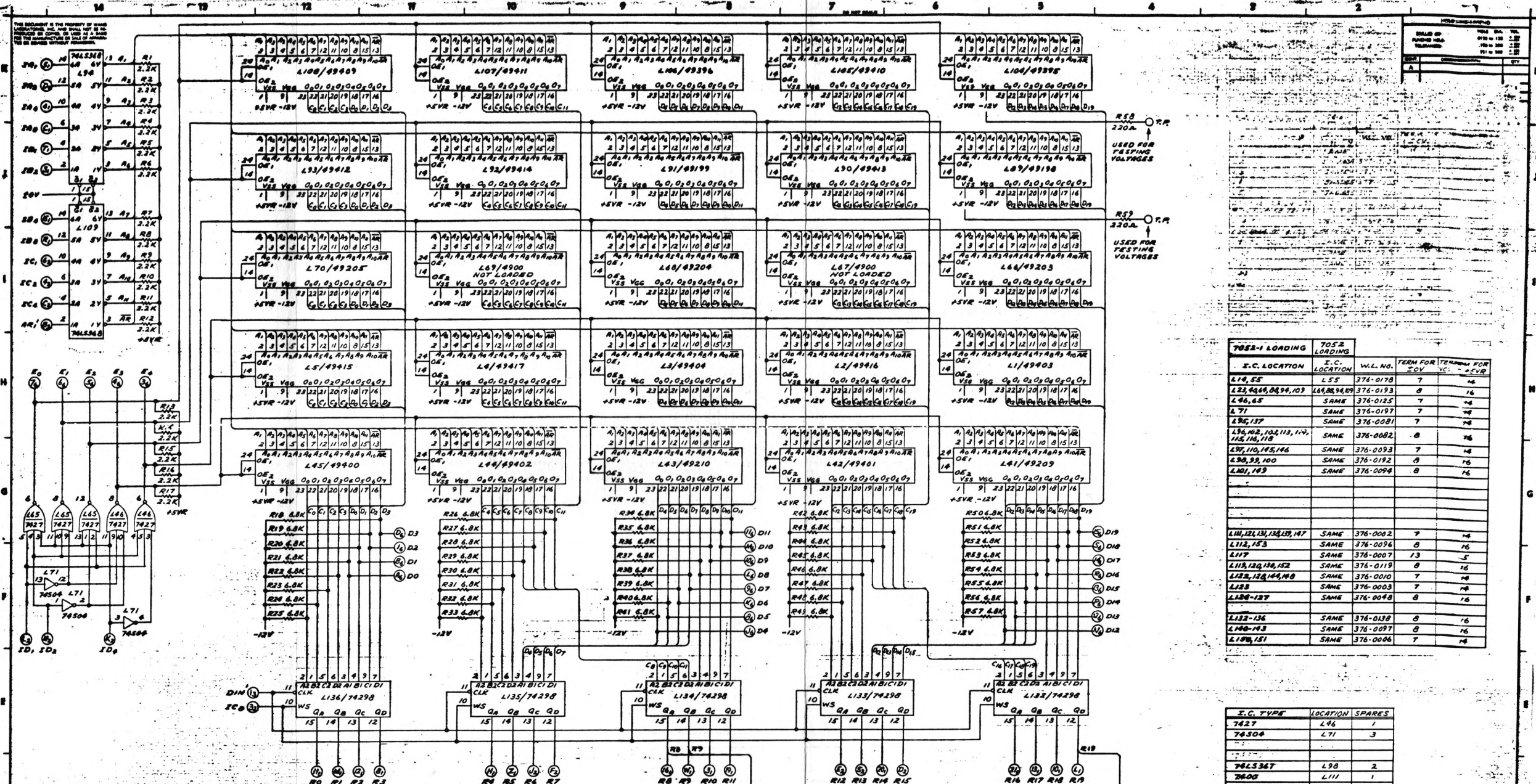


HOLE LEGEND			
SIZE	NO.	DIAM.	LOC.
1/16"	10	0.0625"	1-10
1/8"	10	0.125"	1-10
3/16"	10	0.1875"	1-10
1/4"	10	0.25"	1-10

ITEM	QTY	NAME	MATERIAL	DESCRIPTION
1	1	7400	7400	NAND GATE
2	1	7404	7404	INVERTER
3	1	7410	7410	3-INPUT NAND GATE
4	1	7412	7412	NAND GATE WITH ACTIVE-LOW INPUTS
5	1	7415	7415	NAND GATE WITH ACTIVE-LOW INPUTS
6	1	7418	7418	NAND GATE WITH ACTIVE-LOW INPUTS
7	1	7420	7420	4-INPUT NAND GATE
8	1	7422	7422	NAND GATE WITH ACTIVE-LOW INPUTS
9	1	7424	7424	MONOSTABLE MULTIVIBRATOR
10	1	7425	7425	MONOSTABLE MULTIVIBRATOR
11	1	7426	7426	MONOSTABLE MULTIVIBRATOR
12	1	7427	7427	MONOSTABLE MULTIVIBRATOR
13	1	7428	7428	MONOSTABLE MULTIVIBRATOR
14	1	7429	7429	MONOSTABLE MULTIVIBRATOR
15	1	7430	7430	MONOSTABLE MULTIVIBRATOR
16	1	7432	7432	NAND GATE WITH ACTIVE-LOW INPUTS
17	1	7433	7433	NAND GATE WITH ACTIVE-LOW INPUTS
18	1	7434	7434	MONOSTABLE MULTIVIBRATOR
19	1	7435	7435	MONOSTABLE MULTIVIBRATOR
20	1	7436	7436	MONOSTABLE MULTIVIBRATOR
21	1	7437	7437	MONOSTABLE MULTIVIBRATOR
22	1	7438	7438	MONOSTABLE MULTIVIBRATOR
23	1	7439	7439	MONOSTABLE MULTIVIBRATOR
24	1	7440	7440	MONOSTABLE MULTIVIBRATOR
25	1	7441	7441	MONOSTABLE MULTIVIBRATOR
26	1	7442	7442	MONOSTABLE MULTIVIBRATOR
27	1	7443	7443	MONOSTABLE MULTIVIBRATOR
28	1	7444	7444	MONOSTABLE MULTIVIBRATOR
29	1	7445	7445	MONOSTABLE MULTIVIBRATOR
30	1	7446	7446	MONOSTABLE MULTIVIBRATOR
31	1	7447	7447	MONOSTABLE MULTIVIBRATOR
32	1	7448	7448	MONOSTABLE MULTIVIBRATOR
33	1	7449	7449	MONOSTABLE MULTIVIBRATOR
34	1	7450	7450	NAND GATE WITH ACTIVE-LOW INPUTS
35	1	7451	7451	NAND GATE WITH ACTIVE-LOW INPUTS
36	1	7452	7452	NAND GATE WITH ACTIVE-LOW INPUTS
37	1	7453	7453	NAND GATE WITH ACTIVE-LOW INPUTS
38	1	7454	7454	NAND GATE WITH ACTIVE-LOW INPUTS
39	1	7455	7455	NAND GATE WITH ACTIVE-LOW INPUTS
40	1	7456	7456	NAND GATE WITH ACTIVE-LOW INPUTS
41	1	7457	7457	NAND GATE WITH ACTIVE-LOW INPUTS
42	1	7458	7458	NAND GATE WITH ACTIVE-LOW INPUTS
43	1	7459	7459	NAND GATE WITH ACTIVE-LOW INPUTS
44	1	7460	7460	NAND GATE WITH ACTIVE-LOW INPUTS
45	1	7461	7461	NAND GATE WITH ACTIVE-LOW INPUTS
46	1	7462	7462	NAND GATE WITH ACTIVE-LOW INPUTS
47	1	7463	7463	NAND GATE WITH ACTIVE-LOW INPUTS
48	1	7464	7464	NAND GATE WITH ACTIVE-LOW INPUTS
49	1	7465	7465	NAND GATE WITH ACTIVE-LOW INPUTS
50	1	7466	7466	NAND GATE WITH ACTIVE-LOW INPUTS
51	1	7467	7467	NAND GATE WITH ACTIVE-LOW INPUTS
52	1	7468	7468	NAND GATE WITH ACTIVE-LOW INPUTS
53	1	7469	7469	NAND GATE WITH ACTIVE-LOW INPUTS
54	1	7470	7470	NAND GATE WITH ACTIVE-LOW INPUTS
55	1	7471	7471	NAND GATE WITH ACTIVE-LOW INPUTS
56	1	7472	7472	NAND GATE WITH ACTIVE-LOW INPUTS
57	1	7473	7473	NAND GATE WITH ACTIVE-LOW INPUTS
58	1	7474	7474	NAND GATE WITH ACTIVE-LOW INPUTS
59	1	7475	7475	NAND GATE WITH ACTIVE-LOW INPUTS
60	1	7476	7476	NAND GATE WITH ACTIVE-LOW INPUTS
61	1	7477	7477	NAND GATE WITH ACTIVE-LOW INPUTS
62	1	7478	7478	NAND GATE WITH ACTIVE-LOW INPUTS
63	1	7479	7479	NAND GATE WITH ACTIVE-LOW INPUTS
64	1	7480	7480	NAND GATE WITH ACTIVE-LOW INPUTS
65	1	7481	7481	NAND GATE WITH ACTIVE-LOW INPUTS
66	1	7482	7482	NAND GATE WITH ACTIVE-LOW INPUTS
67	1	7483	7483	NAND GATE WITH ACTIVE-LOW INPUTS
68	1	7484	7484	NAND GATE WITH ACTIVE-LOW INPUTS
69	1	7485	7485	NAND GATE WITH ACTIVE-LOW INPUTS
70	1	7486	7486	NAND GATE WITH ACTIVE-LOW INPUTS
71	1	7487	7487	NAND GATE WITH ACTIVE-LOW INPUTS
72	1	7488	7488	NAND GATE WITH ACTIVE-LOW INPUTS
73	1	7489	7489	NAND GATE WITH ACTIVE-LOW INPUTS
74	1	7490	7490	NAND GATE WITH ACTIVE-LOW INPUTS
75	1	7491	7491	NAND GATE WITH ACTIVE-LOW INPUTS
76	1	7492	7492	NAND GATE WITH ACTIVE-LOW INPUTS
77	1	7493	7493	NAND GATE WITH ACTIVE-LOW INPUTS
78	1	7494	7494	NAND GATE WITH ACTIVE-LOW INPUTS
79	1	7495	7495	NAND GATE WITH ACTIVE-LOW INPUTS
80	1	7496	7496	NAND GATE WITH ACTIVE-LOW INPUTS
81	1	7497	7497	NAND GATE WITH ACTIVE-LOW INPUTS
82	1	7498	7498	NAND GATE WITH ACTIVE-LOW INPUTS
83	1	7499	7499	NAND GATE WITH ACTIVE-LOW INPUTS
84	1	7500	7500	NAND GATE WITH ACTIVE-LOW INPUTS



WANG PART NO.	ITEM	QTY	MATERIAL	DESCRIPTION	DATE	APPROVED BY	DATE
7052-R3	IC	1	7052-R3	7052-R3	10/1/54	E. J. S. S.	3/10/54
	RES	1	10A 5%	RESISTOR			
	CAP	1	100PF	CAPACITOR			
	TRF	1	7400	INVERTER			
	TRF	1	74LS347	DECODER			
	TRF	1	75332	MEMORY			
	TRF	1	7400	INVERTER			
	TRF	1	74LS347	DECODER			
	TRF	1	75332	MEMORY			
	TRF	1	7400	INVERTER			
	TRF	1	74LS347	DECODER			
	TRF	1	75332	MEMORY			
	TRF	1	7400	INVERTER			
	TRF	1	74LS347	DECODER			
	TRF	1	75332	MEMORY			
	TRF	1	7400	INVERTER			
	TRF	1	74LS347	DECODER			
	TRF	1	75332	MEMORY			



7052-1 LOADING		7052 LOADING	
I.C. LOCATION	I.C. LOCATION	W.L. NO.	TERM FOR
L14, 55	L55	376-0178	7
L22, 49, 49A, 103	L66, 94, 94A	376-0193	7
L46, 45	SAME	376-0125	7
L71	SAME	376-0197	7
L86, 127	SAME	376-0197	7
L96, 102, 102A, 113, 114, 115, 116, 117	SAME	376-0081	7
L97, 110, 105, 106	SAME	376-0093	7
L98, 99, 100	SAME	376-0192	7
L101, 103	SAME	376-0094	7
L111, 121, 131, 132, 137	SAME	376-0002	7
L112, 153	SAME	376-0076	7
L117	SAME	376-0007	13
L119, 120, 136, 152	SAME	376-0119	7
L122, 123, 144, 148	SAME	376-0010	7
L123	SAME	376-0003	7
L128-129	SAME	376-0048	7
L132-136	SAME	376-0138	7
L140-143	SAME	376-0097	7
L148, 151	SAME	376-0006	7

I.C. TYPE	LOCATION	SPARES
7427	L46	1
74504	L71	3
745367	L98	2
74600	L111	1
74600	L121	3
9221	L153	1
7404	L144	1
7404	L148	1
7476	L150	1

VARIATION CHART

I.C. LOCATION	210-7052-2A	210-7052-4A	210-7052-6A	210-7052-8A
209-7052	209-7052	210-7052-1	209-7052-1	
L72-87	377-0314	377-0314	377-0314	377-0314
L47-54, 56-63		377-0314	377-0314	377-0314
L29-39		377-0314	377-0314	377-0314
L8-13, 15-22			377-0314	

209-7052 7052 LOADING

COMPONENT	W.L. NO.
R1-17, 89-104	330-3022
R18-27, 64-73	330-3048
R28-37, 74, 104, 107	330-2022
R40-65, 74, 80, 116	330-3010
R75-76	330-2018
R77	330-3018
R85-88, 105, 112-115	330-1011
C1	300-1047
C2, 7-10	300-1270
C43-50, 57-64, 84-90, 109	300-1930
C71-80, 87-94, 91-93, 103-107, 110	300-1931
C77, 78, 84, 91	300-4018
C79, 80, 85, 108	300-4022
C82, 103	300-1900
L46, 55 SOCKET	376-9001
L132-136 SOCKET	376-9002
Q1, 2	375-1030
XTAL	321-0008
I.C. SOCKET (18 PIN)	376-9014
I.C. SOCKET (24 PIN)	376-9003

209-7052-1 7052-1 LOADING

COMPONENT	W.L. NO.
R1-17, 89-104	330-3022
R18-27, 64-73	330-3048
R28, 59, 70, 79, 106, 107	330-2022
R40-65, 74, 80, 116	330-3010
R75, 76	330-2018
R77	330-3018
R81-88, 105, 108-115	330-1011
C1	300-1047
C2-10	300-1270
C41-48, 47-54, 57-64, 84-90, 109	300-1930
C49-56, 55-62, 51-58, 67-74, 91-93, 103-107, 110	300-1931
C75-78, 84, 91	300-4018
C79, 80, 108, 85	300-4022
C92-103	300-1900
L46, 55 SOCKET	376-9001
L132-136 SOCKET	376-9002
Q1-4	375-1030
XTAL	321-0008
I.C. SOCKET (18 PIN)	376-9014
I.C. SOCKET (24 PIN)	376-9003

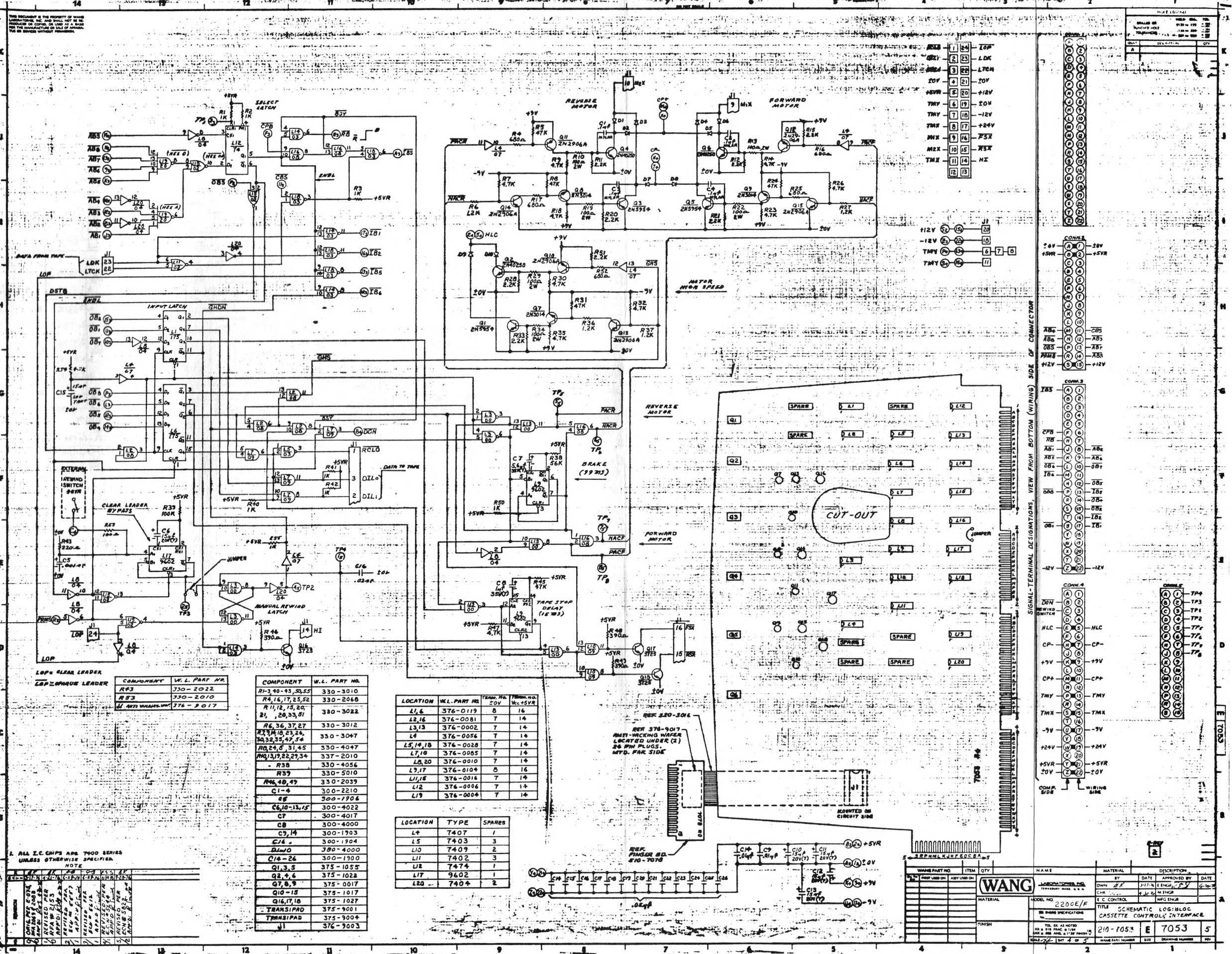
7052 4-REV [] 7052-1 4-REV []

WANG PART NO.	ITEM	QTY	NAME	MATERIAL	DESCRIPTION

WANG LABORATORIES, INC. MODEL NO. 2200E/F TITLE: MEMORY

DATE: 3/25/61 BY: J.S.S. APPROVED: [Signature]

SCALE: 1/8" = 1" SHEET 4 OF 7



THIS DOCUMENT IS THE PROPERTY OF WANG LABORATORIES, INC. AND SHALL NOT BE REPRODUCED OR COME OR USED AS A BASIS FOR THE MANUFACTURE OF ANY EQUIPMENT WITHOUT PERMISSION.

COMPONENT	W.L. PART NO.
R#3	330-2022
R#3	330-2010
R#3	376-2017

COMPONENT	W.L. PART NO.
R1-3, 40, 43, 50, 55	330-3010
R4, 16, 17, 25, 52	330-2068
R11, 12, 15, 20, 21, 28, 33, 51	330-3022
R6, 36, 37, 27	330-3012
R3, 9, 10, 23, 26, 30, 32, 35, 47, 54	330-3047
R0, 24, 5, 31, 45	330-4047
R#3, 13, 22, 23, 34	337-2010
R38	330-4056
R39	330-5010
R#6, 48, 49	330-2039
C1-4	300-2210
C8	300-1706
C6, 10-13, 15	300-4022
C7	300-4017
C8	300-4000
C9, 14	300-1903
C16	300-1904
D1, 10	380-4000
Q18-26	300-1900
Q1, 3-5	375-1055
Q2, 6-8	375-1028
Q7, 9, 9	375-0017
Q10-15	375-1017
Q16, 17, 18	375-1027
TRANS/PAD	375-9001
TRANS/PAD	375-9004
TRANS/PAD	376-9003

LOCATION	W.L. PART NO.	TRNS. NO.	TRNS. W.L. PART NO.
L1, 6	376-0119	8	16
L2, 16	376-0081	7	14
L3, 13	376-0002	7	14
L4	376-0056	7	14
L5, 14, 18	376-0028	7	14
L7, 10	376-0085	7	14
L8, 20	376-0100	7	14
L9, 17	376-0104	8	16
L11, 15	376-0016	7	14
L12	376-0096	7	14
L19	376-0004	7	14

LOCATION	TYPE	SPARES
L4	7407	1
L5	7403	3
L10	7409	2
L11	7402	3
L12	7474	1
L17	9602	1
L20	7404	2

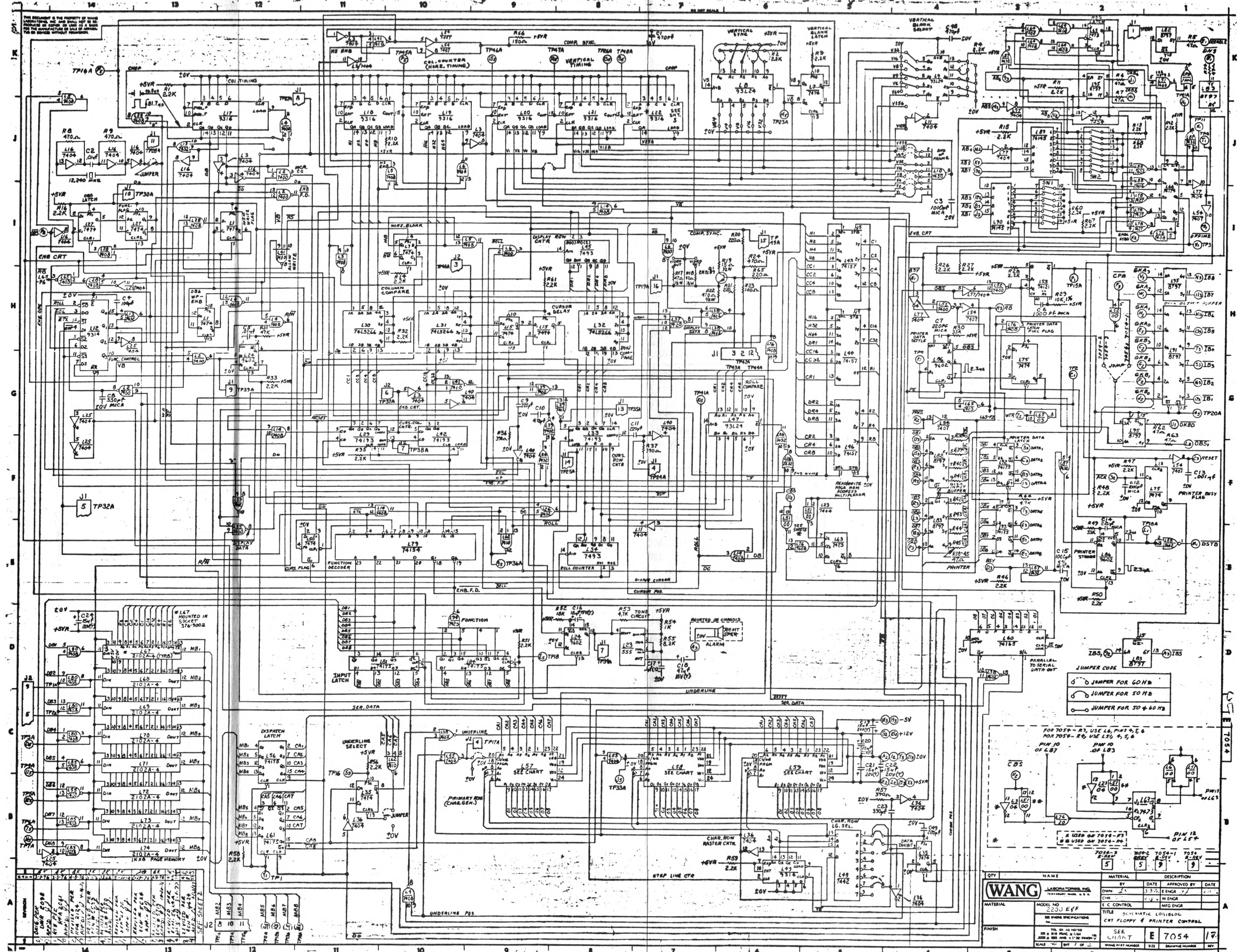
ALL S.C. CHIPS ARE 7000 SERIES UNLESS OTHERWISE SPECIFIED.

REV.	DATE	BY	DESCRIPTION
1			
2			
3			
4			
5			
6			
7			
8			
9			
10			
11			
12			
13			
14			

REV.	DATE	BY	DESCRIPTION
1			
2			
3			
4			
5			
6			
7			
8			
9			
10			
11			
12			

REV.	DATE	BY	DESCRIPTION
1			
2			
3			
4			
5			
6			
7			
8			
9			
10			
11			
12			

REV.	DATE	BY	DESCRIPTION
1			
2			
3			
4			
5			
6			
7			
8			
9			
10			
11			
12			



WANG		NAME	MATERIAL	DATE	DESCRIPTION
MODEL NO. 2200 EFF		LABORATORY	BY	DATE	APPROVED BY DATE
SERIAL NO. 1000		CHG	BY	DATE	APPROVED BY DATE
TITLE		SCHEMATIC CONTROL			
SCALE		1:1			
DRAWN BY		E 7054			
CHECKED BY		E 7054			
APPROVED BY		E 7054			

THIS DOCUMENT IS THE PROPERTY OF WANG LABORATORIES, INC. AND SHALL NOT BE REPRODUCED OR COPIED IN ANY MANNER FOR THE MANUFACTURE OF PARTS OR THE REPAIR OF EQUIPMENT WITHOUT PERMISSION.

REV.	DESCRIPTION	DATE
1	INITIAL	
2	REVISED	
3	REVISED	
4	REVISED	
5	REVISED	

COMPONENT	W.L. PART NO.
R54	330-3010
R89, 24	330-2047
R10, 16, 24-25, 32, 35, 37, 40, 45, 50, 52, 54, 61, 66, 67, 56	330-3082
R2, 13, 20-19, 22, 43	330-1047
R29	333-0017
R17, 18	331-1047
R21	331-2047
R20, 21, 65	330-2022
R23	330-2010
R36, 37, 57	330-2039
R53, 64	330-3047
R19	331-1015
R52	330-4018
R30, 49	330-4033
R55	330-3082
R31	330-4047
R66	330-2015
C1, 10, 98	300-1470
C2, 5, 25-47	300-1903
C4	300-1100
C9, 11, 49	300-1220
C3, 6, 12, 15	300-5006
C13	300-1906
C7, 14	300-5004
C16	300-4018
C17	300-4002
C18	300-4020
C19-22, 24	300-4022
C8	300-5007
C23	300-1390
SW. 1, 2	325-1503
SW. CAP. 1, 2	325-9047
XTAL	321-0019
J1, 2	376-9002T
Q1	375-1021
L57-59	376-9003
B.N.C. COMM.	350-2064

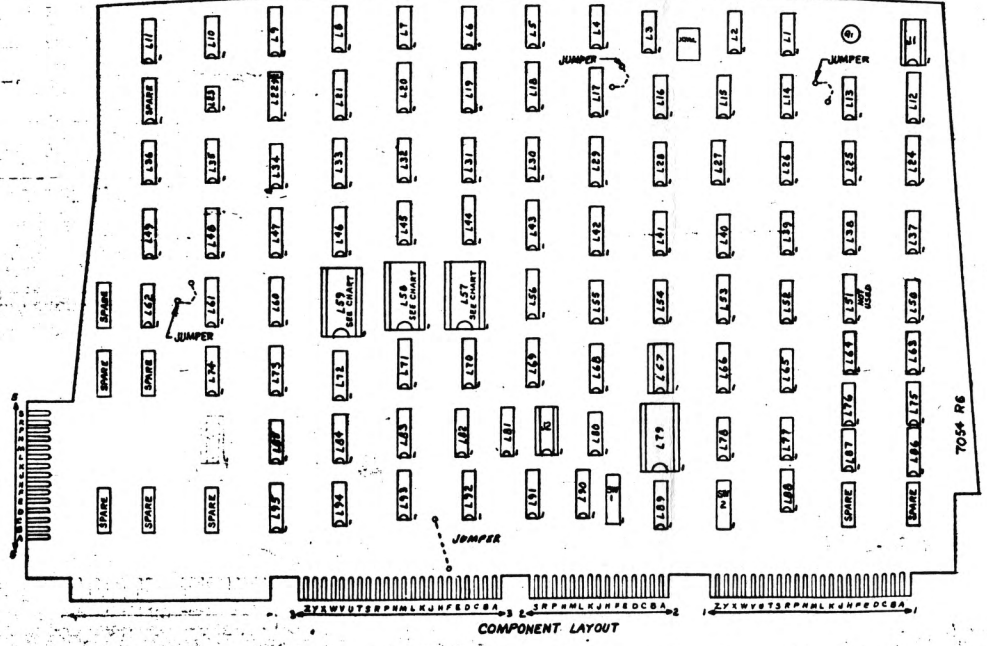
LOCATION	W.L. PART NO.	TERM. NO. 20V	TERM. NO. W+SVR
L1, 7, 15, 27, 35, 50, 51	376-0006	7	14
L2, 8, 6, 51, 52, 55	376-0002	7	14
L3, 11, 16, 25, 34, 40, 71	376-0010	7	14
L5, 13, 28, 49, 76, 80, 85	376-0081	7	14
L89, 97	376-0120	8	16
L10	376-0031	7	14
L12	376-0108	8	16
L13, 26, 87	376-0093	7	14
L17-21, 49	376-0094	8	16
L23	376-0124	1	8
L24, 86	376-0104	8	16
L27, 33, 42	376-0053	8	16
L30, 31, 32	376-0148	7	14
L34, 45	376-0011	10	5
L38, 39, 88	376-0016	7	14
L37, 94	376-0004	7	14
L43, 44, 46	376-0082	8	16
L48	376-0008	8	16
L67	376-9002	7	14
L63	376-0051	7	14
L54	376-0056	7	14
L56, 61, 60, 92, 93	376-0119	8	16
L57, 58, 59	SEE CHART (SH.A)	12	24
L60	376-0105	8	16
L41, 62	376-0003	7	14
L63	376-0005	11	4
L65	376-0028	7	14
L66	376-0098	8	16
L67-74	377-0069	9	10
L79	376-0090	12	24
L82, 83, 91, 95	376-0189	8	16
L78	376-0125	7	14
L89, 90	376-0069	8	16
L220(SEE CHART)	376-0094	8	16

NOTE 1: L22 LOADED ON TOS4-1 ONLY

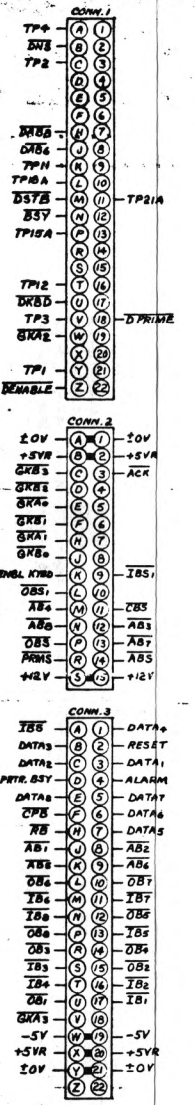
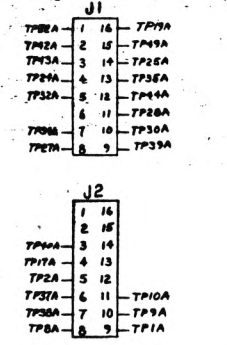
I.C. TYPE	LOCATION	SPARES
7404	L3	1
7404	L25	1
7400	L6	1
7404	L71	4
7432	L13	2
7406	L36	2
7420	L37	1
7400	L52	2
7409	L51	1
7403	L63	1
7405	L85	1
7432	L87	1
7404	L40	3
7474	L50	1
7410	L62	1
7420	L94	1

JUMPER VARIATION CHART
7054-1 7054-2 7054-3 7054-4 60M8 60M8 60M8 60M8
L10-1 V138 V256 V128 V256 L10-2 V64 L10-2 V64 L10-2 V64 L10-2 V64 L10-3 V8 L10-11 V8 L10-11 V8 L10-11 V8 L10-5 V4 L10-4 V4 V4 L10-4 V4 L10-6 V2 V1 V1 V2 V1 L9-3 V32 V32 V32 V32 L9-4 V16 V16 V16 V16 L9-5 HIGH HIGH HIGH HIGH L9-12 10V HIGH 10V HIGH L8-9 HIGH 10V HIGH 10V L8-10 10V HIGH 10V HIGH L8-13 HIGH 10V HIGH 10V L49-3 L48-6 L48-7 L48-6 L48-7 R3, 6 LOAD LOAD LOAD LOAD R36-95 97A 97A 97A 97A R62, 63 RESISTORS RESISTORS

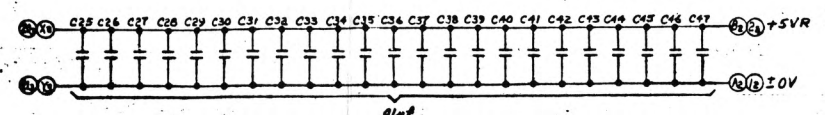
MODEL	PC BOARD	L57	L58	L59
200-7054-1B DATA KANA	200-7054-1B	376-2044	NOT LOADED	NOT LOADED
200-7054-2B DATA KANA	200-7054-2B	376-2044	NOT LOADED	NOT LOADED
200-7054-1C CYRILIC	200-7054-1C	377-0323	NOT LOADED	NOT LOADED
200-7054-2A	200-7054-2A	377-0323	NOT LOADED	NOT LOADED
200-7054-3A	200-7054-3A	377-0323	NOT LOADED	NOT LOADED
200-7054-3B	200-7054-3B	376-2044		



COMPONENT LAYOUT



SIGNAL-TERMINAL DESIGNATIONS, VIEW FROM BOTTOM (WIRING) SIDE OF CONNECTOR



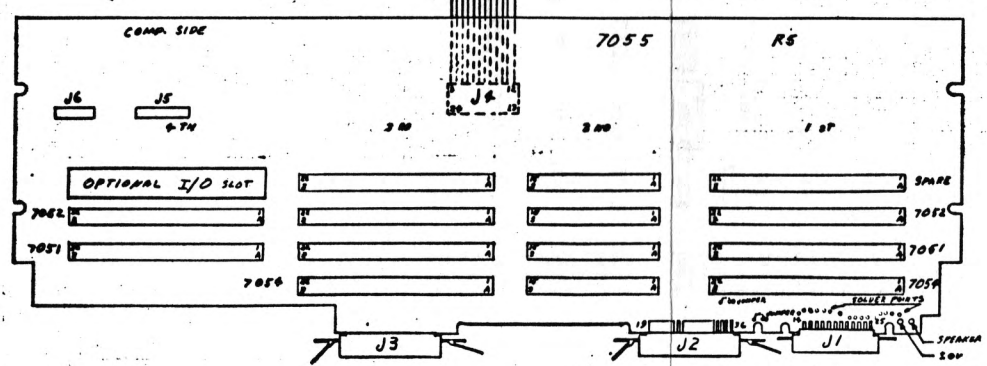
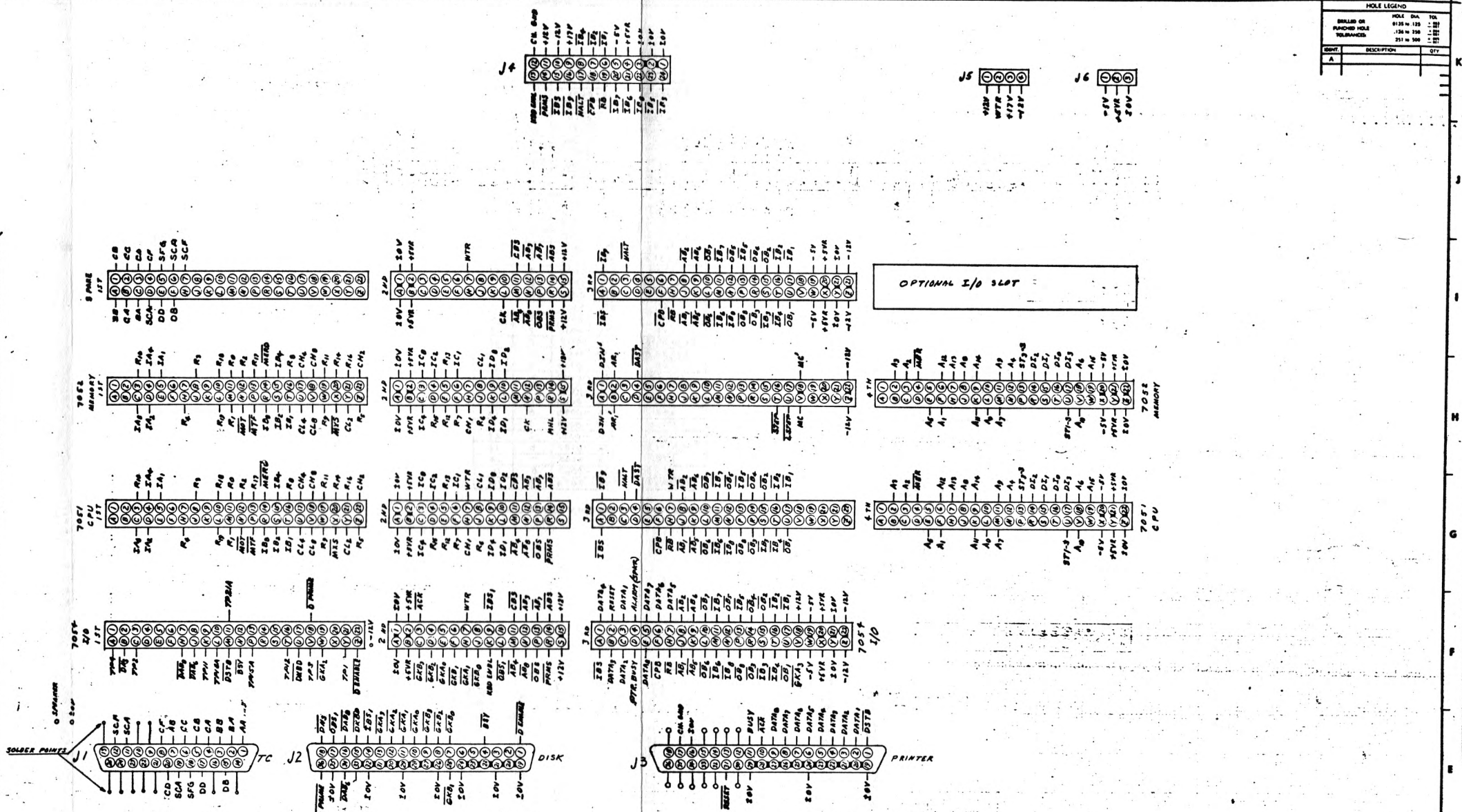
WANG PART NO.	ITEM	QTY	NAME	MATERIAL	DESCRIPTION
200-7054-1B	PC BOARD	1	DATA KANA		
<p>WANG LABORATORIES, INC.</p> <p>MODEL NO. 200-7054-1B</p> <p>TITLE: CRT FLOPPY & PRINTER CONTROL</p> <p>DATE: 1/7</p> <p>BY: E</p>					

REV.	DESCRIPTION	DATE
1	INITIAL	
2	REVISED	
3	REVISED	
4	REVISED	
5	REVISED	

THIS DOCUMENT IS THE PROPERTY OF WANG LABORATORIES, INC. AND SHALL NOT BE REPRODUCED OR COPIED IN ANY MANNER WITHOUT THE WRITTEN PERMISSION OF WANG LABORATORIES, INC.

HOLE LEGEND		
DRILL DIA.	1/16" ± .001	1/16"
PUNCH HOLE	1/16" ± .001	1/16"
TOLERANCES	± .001	± .001
QTY	DESCRIPTION	QTY
A		

SIGNAL - TERMINAL DESIGNATION, VIEW FROM BOTTOM USING LINE OF CONNECTION



COMPONENT	W.L. PART NO.
J1 (85 PIN CPU)	350-1031
J2,3 (36 PIN CPU)	350-1030
J4 (36 PIN CPU)	350-1030
J5 (36 PIN CPU)	350-1030
J6 (36 PIN CPU)	350-1030
7051 (36 PIN CPU)	350-1031
7052 (36 PIN CPU)	350-1031
7053 (36 PIN CPU)	350-1031
7054 (36 PIN CPU)	350-1031

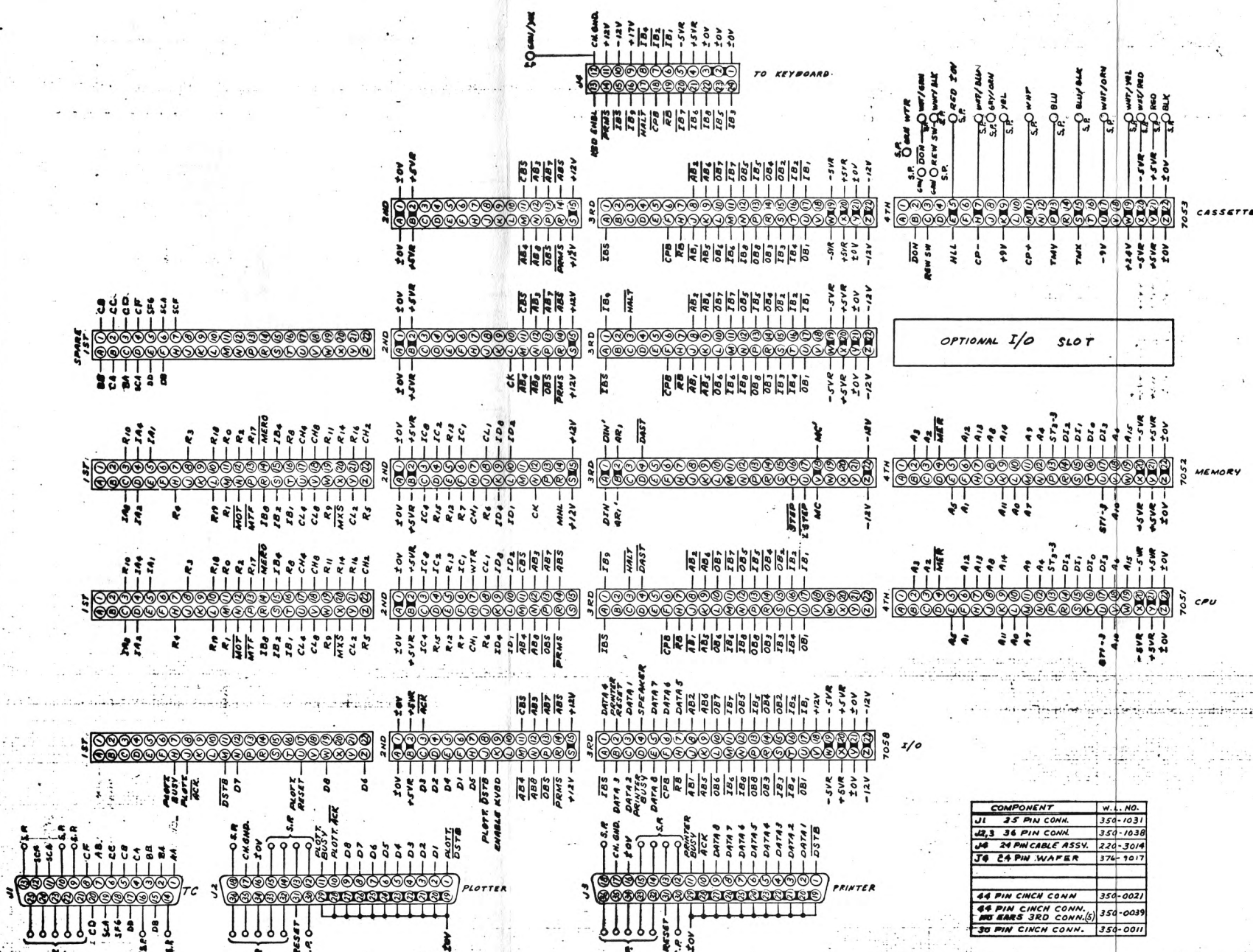
REV.	DATE	BY	DESCRIPTION
1	11/15/68	WJ	INITIAL DESIGN
2	11/15/68	WJ	REVISED PER WANG SPEC
3	11/15/68	WJ	REVISED PER WANG SPEC
4	11/15/68	WJ	REVISED PER WANG SPEC
5	11/15/68	WJ	REVISED PER WANG SPEC
6	11/15/68	WJ	REVISED PER WANG SPEC
7	11/15/68	WJ	REVISED PER WANG SPEC
8	11/15/68	WJ	REVISED PER WANG SPEC
9	11/15/68	WJ	REVISED PER WANG SPEC
10	11/15/68	WJ	REVISED PER WANG SPEC

WANG PART NO.	ITEM	QTY	NAME	MATERIAL	DESCRIPTION	DATE
210-7055	E	4	MOTHER BOARD			11/15/68

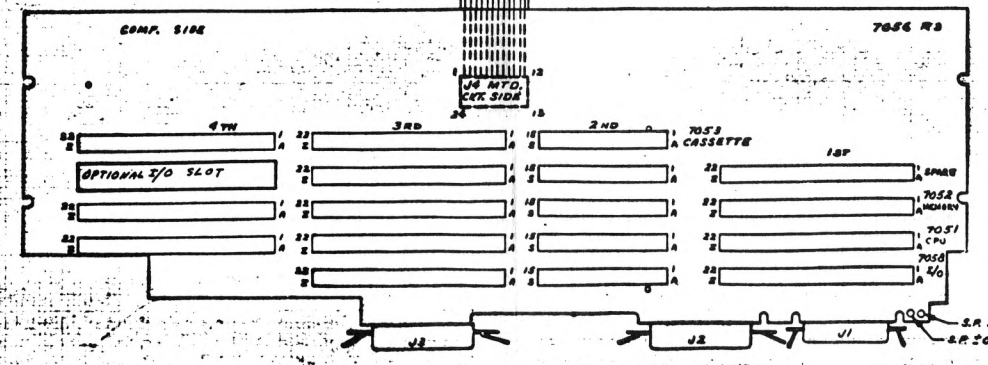
THIS DOCUMENT IS THE PROPERTY OF WANG LABORATORIES, INC. AND SHALL NOT BE REPRODUCED OR COPIED OR USED AS A BASIS FOR THE MANUFACTURE OF ANY EQUIPMENT OR SERVICE WITHOUT PERMISSION.

HOLE LEGEND			
SIZE	DESCRIPTION	QTY	
Ø.015	Ø.015 DIA.	121	
Ø.025	Ø.025 DIA.	121	
Ø.031	Ø.031 DIA.	121	
Ø.047	Ø.047 DIA.	121	

SIGNAL - TERMINAL DESIGNATIONS, VIEW FROM BOTTOM (WIRING) SIDE OF CONNECTOR



COMPONENT	W. L. NO.
J1 25 PIN CONN.	354-1031
J2 36 PIN CONN.	354-1038
J6 24 PIN CABLE ASSY.	220-3014
J8 24 PIN WAFER	374-1017
44 PIN CINCH CONN.	354-0021
44 PIN CINCH CONN.	354-0039
80 PINS 3RD CONN. (S)	354-0011
30 PIN CINCH CONN.	354-0011



REV.	DATE	DESCRIPTION
1	1/1/76	REVISED FOR 2000E
2	2/1/76	REVISED FOR 2000E
3	3/1/76	REVISED FOR 2000E
4	4/1/76	REVISED FOR 2000E
5	5/1/76	REVISED FOR 2000E
6	6/1/76	REVISED FOR 2000E
7	7/1/76	REVISED FOR 2000E
8	8/1/76	REVISED FOR 2000E
9	9/1/76	REVISED FOR 2000E
10	10/1/76	REVISED FOR 2000E
11	11/1/76	REVISED FOR 2000E
12	12/1/76	REVISED FOR 2000E
13	1/1/77	REVISED FOR 2000E
14	2/1/77	REVISED FOR 2000E

WANG PART NO.	ITEM	QTY	NAME	MATERIAL	DESCRIPTION
2200E	MOTHER BOARD	1			

THE INFORMATION CONTAINED IN THIS DRAWING IS THE PROPERTY OF WANG LABORATORIES, INC. AND IS CONFIDENTIAL AND PROPRIETARY TO WANG LABORATORIES, INC. IT MAY NOT BE COPIED, REPRODUCED OR USED IN WHOLE OR IN PART FOR ANY REASON.

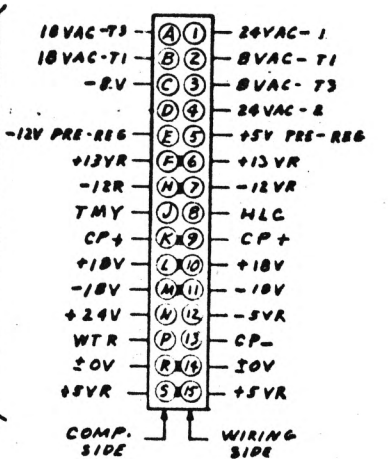
MILLIMETERS IN PARENTHESES. TOLERANCES TO BE EQUIVALENT TO SUCH DIMENSIONS.

DO NOT SCALE

HOLE LEGEND & TOLERANCES

HOLE DIA	TOLERANCE	
025 - .125	+ .002 - .001	
.125 - .375	+ .001 - .001	
.375 - .625	+ .001 - .001	
SYM	DESCRIPTION	QTY

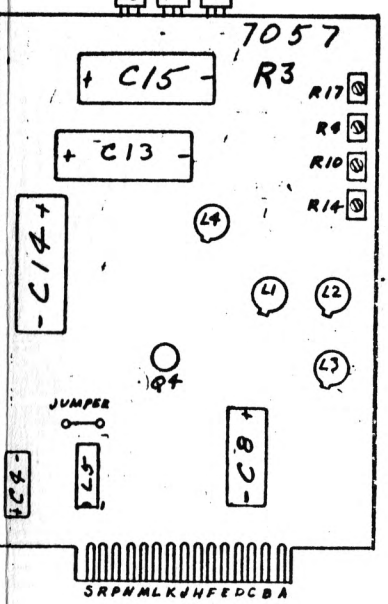
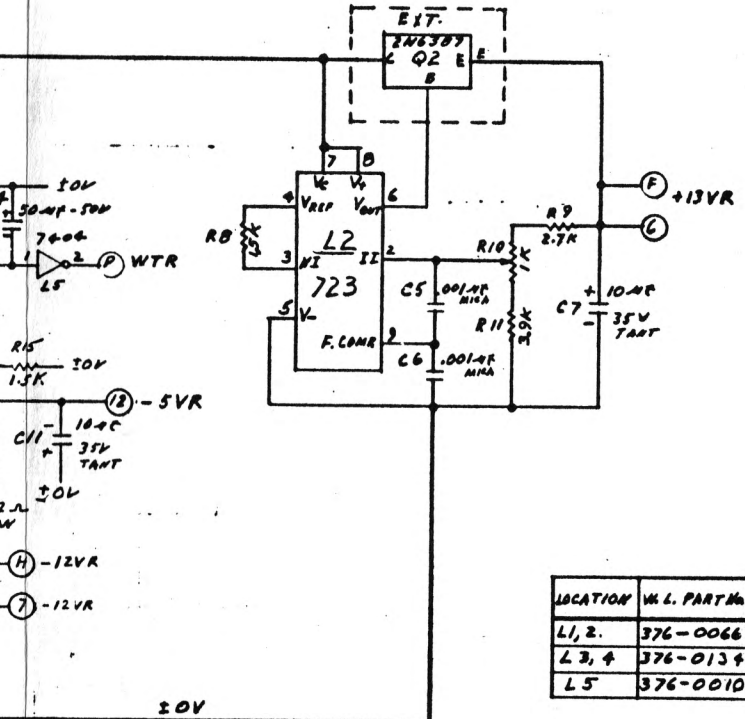
SIGNAL TERMINAL DESIGNATIONS, VIEW FROM BOTTOM (WIRING SIDE OF CONNECTOR)



LOCATION	W.L. PART No.	PIN No. 50V	PIN No. +5V
L1, 2	376-0066	5	
L3, 4	376-0134	9	
L5	376-0010	7	14

I.C. TYPE	LOCATION	SPARE
7404	L5	5

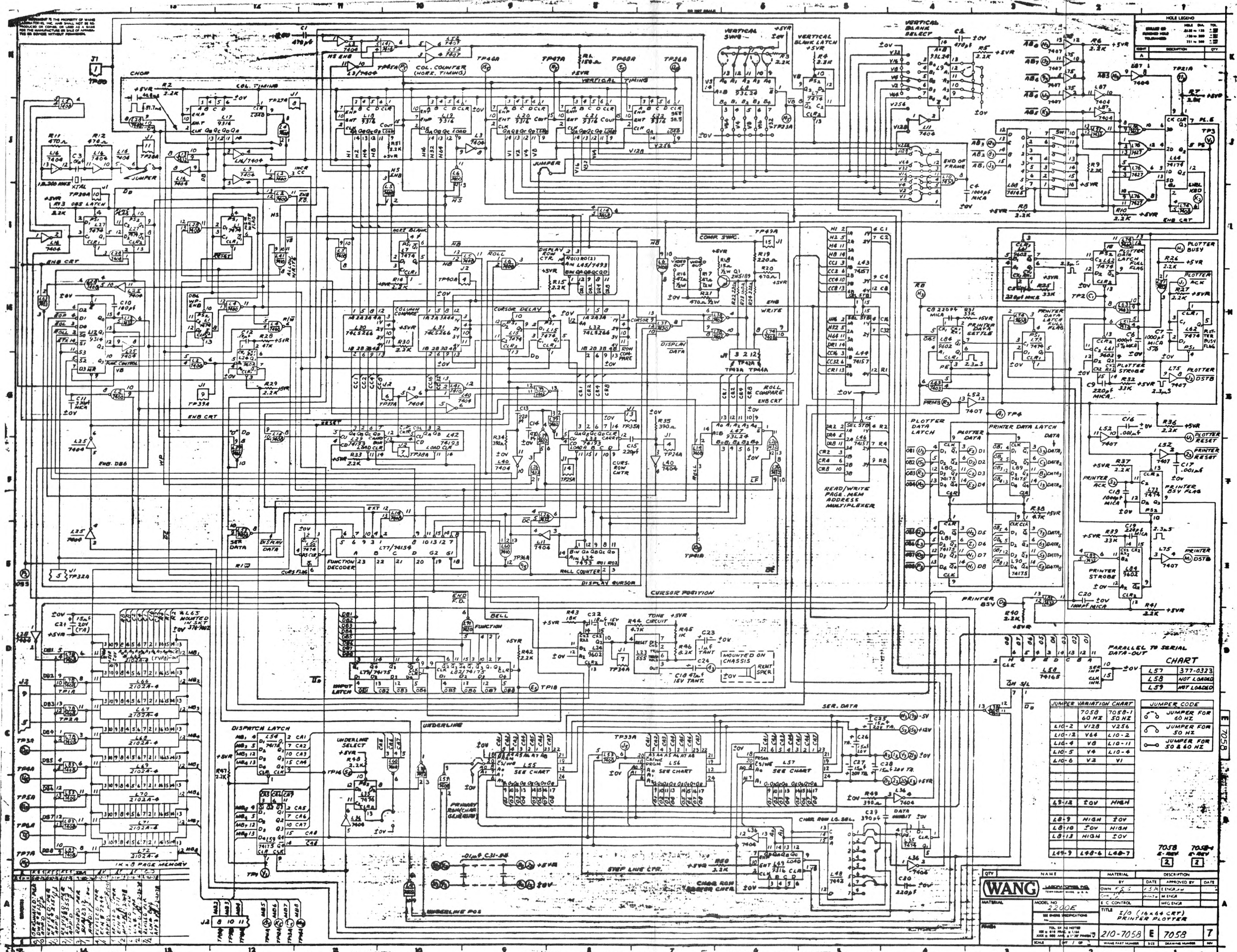
COMPONENT	W.L. PART No.
R1, 2, 6	330-3022
R3	330-2068
R7, 10	336-1074
R5, 8, R15	330-3015
R7	330-3033
R17, R14	336-1022
R9	330-3027
R11	330-3039
R13, 25	330-1027
R18	333-0088
R19	332-1022
R20, 21	330-4010
R22, 23, 24	337-1033
R12, 16	333-0093
C1, 2	300-3072
C3	300-4018
C4	300-3010
C5, 6, 9, 10	300-5006
C7, 11, 12	300-4032
C8	300-3043
C13, 14	300-3053
C15	300-3055
D1, 2, 3, 4	380-3004
D5, -10	380-4000
Q4	375-1024
Q4 PAD	375-9001



E-REV
3

REV	DATE	BY	APP'D	DESCRIPTION
1	1-18-76	DWR	ACD	REV. PER DWR
2	1-18-76	WAS	ACD	REV. PER WAS
3	1-18-76	WAS	ACD	REV. PER WAS
4	1-18-76	WAS	ACD	REV. PER WAS
5	1-18-76	WAS	ACD	REV. PER WAS
6	1-18-76	WAS	ACD	REV. PER WAS
7	1-18-76	WAS	ACD	REV. PER WAS
8	1-18-76	WAS	ACD	REV. PER WAS
9	1-18-76	WAS	ACD	REV. PER WAS
10	1-18-76	WAS	ACD	REV. PER WAS
11	1-18-76	WAS	ACD	REV. PER WAS
12	1-18-76	WAS	ACD	REV. PER WAS
13	1-18-76	WAS	ACD	REV. PER WAS

QTY	ITEM	WANG PART NO.	DRAWING NO.	DESCRIPTION



HOLE LEGEND

DRILL DIA.	DRILL DIA.	DRILL DIA.
0.0625	0.125	0.1875
0.09375	0.1875	0.25
0.125	0.25	0.3125
0.15625	0.3125	0.375
0.1875	0.375	0.4375
0.21875	0.4375	0.5
0.25	0.5	0.5625
0.28125	0.5625	0.625
0.3125	0.625	0.6875
0.34375	0.6875	0.75
0.375	0.75	0.8125
0.40625	0.8125	0.875
0.4375	0.875	0.9375
0.46875	0.9375	1.0

PRINTING DATA LATCH

DATA	DATA	DATA	DATA
0	1	2	3
4	5	6	7
8	9	10	11
12	13	14	15

PLANNER DATA LATCH

DATA	DATA	DATA	DATA
0	1	2	3
4	5	6	7
8	9	10	11
12	13	14	15

PLANNER DATA LATCH

DATA	DATA	DATA	DATA
0	1	2	3
4	5	6	7
8	9	10	11
12	13	14	15

PARALLEL TO SERIAL DATA-OUT CHART

CLK	DATA	DATA	DATA	DATA
0	1	2	3	4
5	6	7	8	9
10	11	12	13	14
15	16	17	18	19
20	21	22	23	24

JUMPER VARIATION CHART

JUMPER	VARIATION	JUMPER	VARIATION
L10-1	60 HZ	L10-2	50 HZ
L10-3	60 HZ	L10-4	50 HZ
L10-5	60 HZ	L10-6	50 HZ
L10-7	60 HZ	L10-8	50 HZ
L10-9	60 HZ	L10-10	50 HZ

JUMPER CODE

JUMPER	CODE	JUMPER	CODE
L10-1	0	L10-2	1
L10-3	2	L10-4	3
L10-5	4	L10-6	5
L10-7	6	L10-8	7
L10-9	8	L10-10	9

WANG

QTY	NAME	MATERIAL	DESCRIPTION
1	7058	7058-1	JUMPER FOR 60 HZ
1	7058	7058-2	JUMPER FOR 50 HZ
1	7058	7058-3	JUMPER FOR 60 HZ
1	7058	7058-4	JUMPER FOR 50 HZ
1	7058	7058-5	JUMPER FOR 60 HZ
1	7058	7058-6	JUMPER FOR 50 HZ
1	7058	7058-7	JUMPER FOR 60 HZ
1	7058	7058-8	JUMPER FOR 50 HZ
1	7058	7058-9	JUMPER FOR 60 HZ
1	7058	7058-10	JUMPER FOR 50 HZ

THIS DRAWING IS THE PROPERTY OF WANG LABORATORIES, INC. AND SHALL NOT BE REPRODUCED OR COPIED IN ANY MANNER FOR THE MANUFACTURE OR SALE OF ANYTHING WITHOUT WRITTEN PERMISSION.

HOLE LEGEND

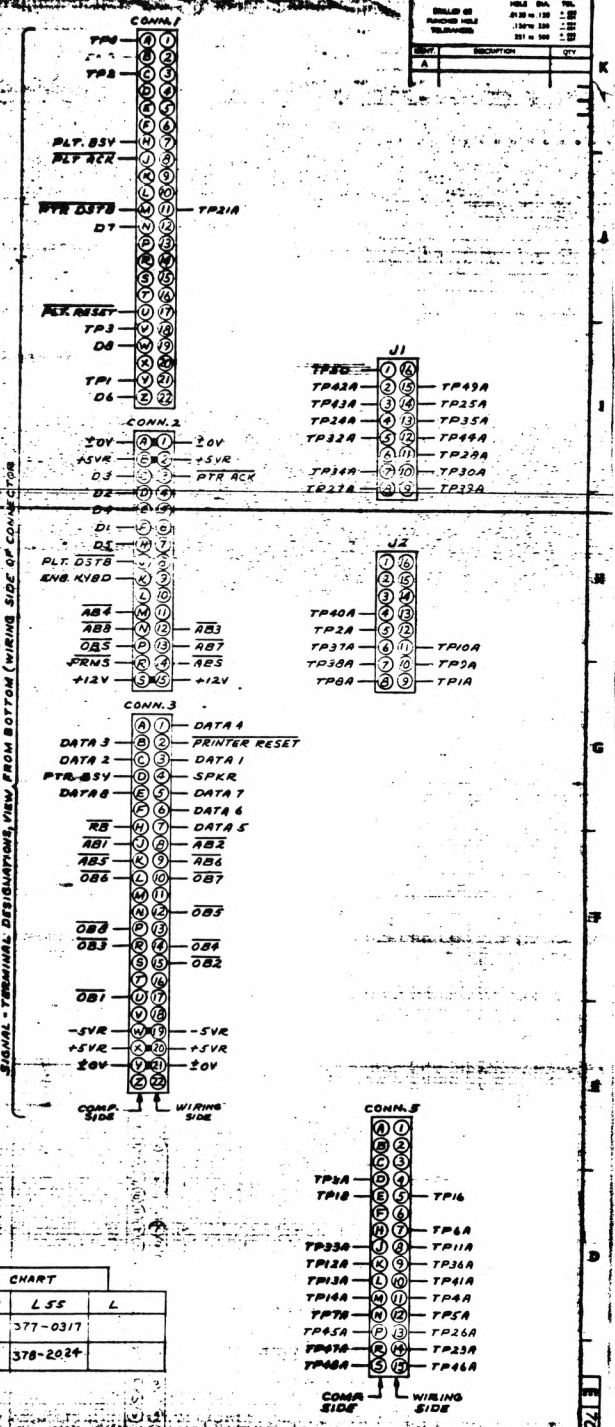
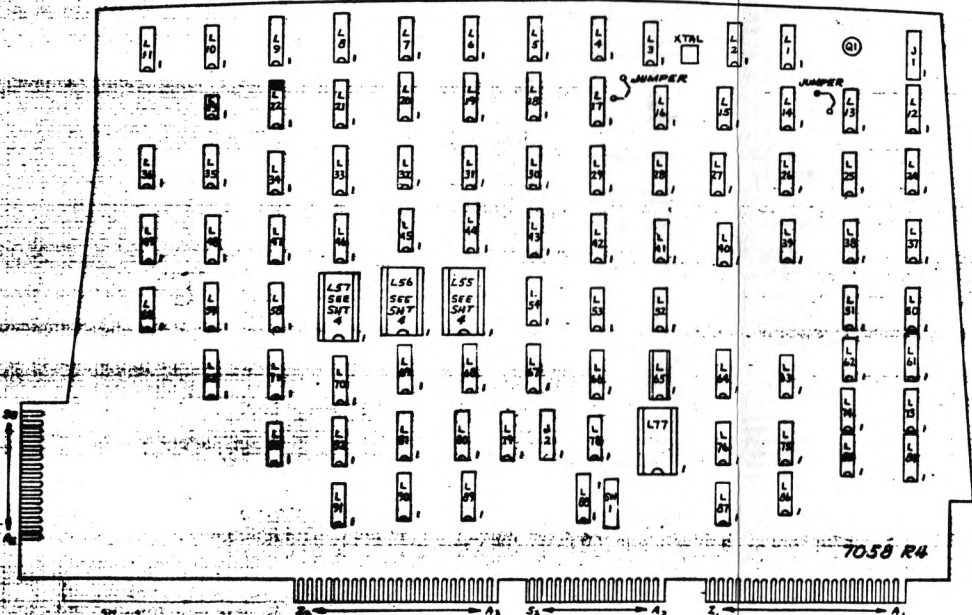
SIZE	TYPE	NO.
Ø.015	Ø.015	1
Ø.020	Ø.020	1
Ø.030	Ø.030	1
Ø.040	Ø.040	1
Ø.050	Ø.050	1

COMPONENT	W.L. NO.
R1	330-2015
R2-10,15,16,21	330-3022
R3,10,12,16,17,18,19,20,21,22,23,24,25,26,27,28,29,30,31,32,33,34,35,36,37,38,39,40,41,42,43,44,45,46	330-2047
R16,17	331-1047
R18	331-1015
R19,22,24	330-2022
R21	331-2047
R23	330-2018
R23,24,29	330-4033
R28	330-4047
R24,35,49	330-2039
R24,54	330-3047
R43	330-4018
R45	330-3010
R46	330-3082
C1,2,14	300-1470
C3,7,31-53	300-1903
C4,6,7,15,20	300-5016
C5,9,19	300-5004
C10	300-1124
C11	300-5047
C13,15,20	300-1220
C16,17	300-1906
C21,25-28	300-4022
C22	300-4018
C23	300-4002
C24	300-4020
C29	300-1390
SW1	325-1503
SW1 CAP	325-3047
XTAL	321-0019
Q1	375-1021
L55-57, 77 SKT	376-9003
L66 SKT	376-9002
J4,2	376-9004
B.R.C. CONN	350-2064 REF

P.C. TYPE	LOCATION	QTY
7474	L50	1
7400	L6	7
	L8	4
	L11	1
	L36	2
	L40	3
	L47	1
7408	L83	1
	L13	2
	L51	1
	L65	2
7420	L37	1
	L91	1
7402	L86	3
7410	L60	1
7403	L63	1
7407	L52	1

P.C. LOCATION	W.L. NO.	TERM. FOR	TERM. FOR
		2 SV	VCC +5V
L13,15,27,35,36,45,53	376-0006	7	16
L2,4,8,33	376-0002	7	16
L3,11,16,25,31,40,87	376-0010	7	16
L5,14,29,34,38,83	376-0087	7	16
L8,9,47	376-0120	8	16
L10	376-0037	7	16
L12	376-0108	8	16
L13,26,51,85	376-0093	7	16
L17,21,49	376-0094	8	16
L22	376-0094	8	16
L23	376-0124	1	8
L24,61,84	376-0104	8	16
L29,33,42	376-0053	8	16
L30-32	376-0148	7	16
L34,45	376-0011	10	5
L37,57	376-0024	7	14
L39,33,56	376-0016	7	14
L41,55	376-0020	7	12
L43,44,46	376-0082	8	16
L49	376-0008	8	16
L52,75	376-0056	7	14
L54,55,79,80-82,89,90	376-0119	8	16
L55-57	SEE CHART	12	24
L58	376-0105	8	16
L63	376-0028	7	16
L64	376-0098	8	16
L65-72	377-0069	9	10
L76	376-0125	7	14
L77	376-0090	12	24
L88	376-0069	8	16

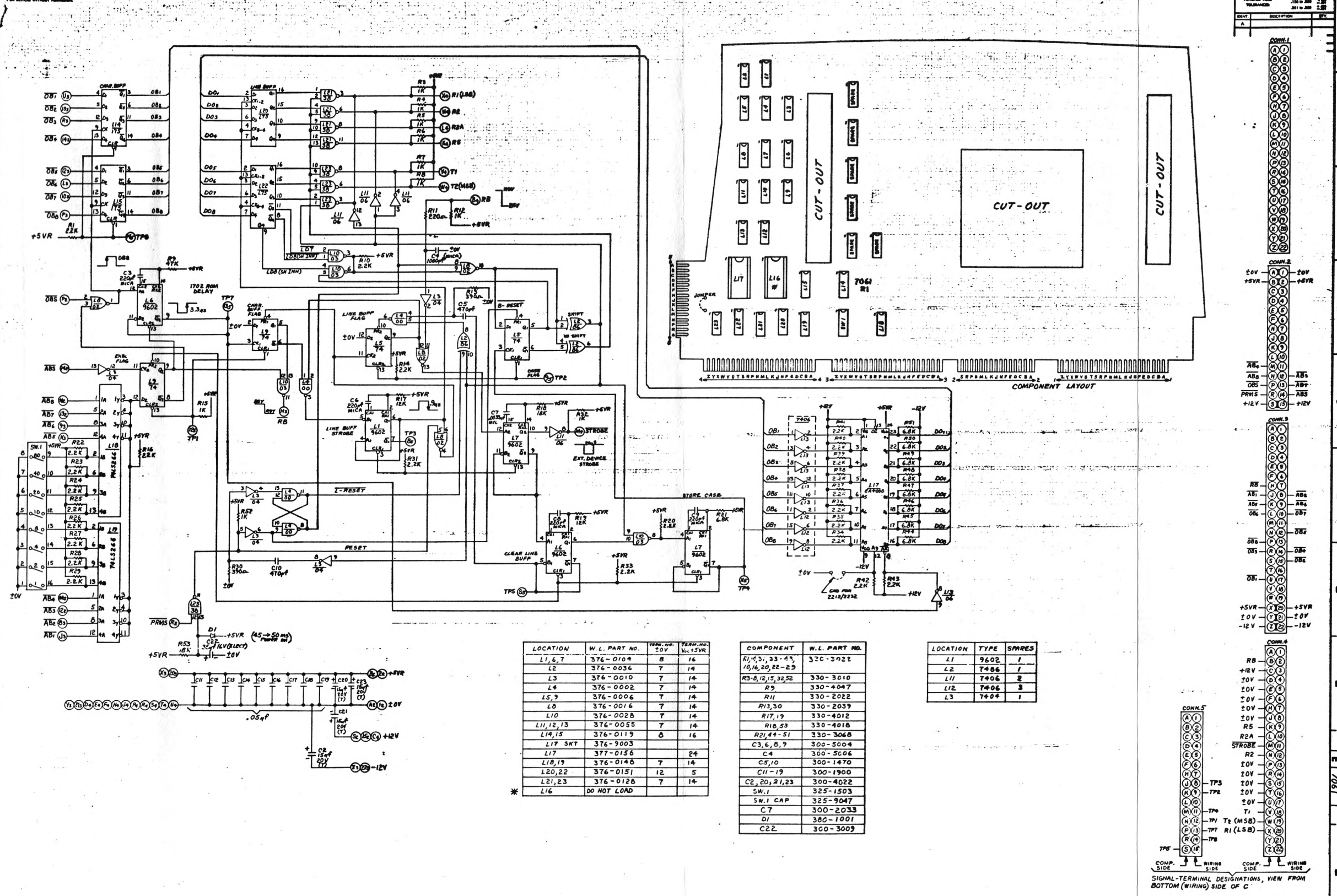
NOTE: L23 LOADED ON 7058-1 ONLY.



VARIATION CHART

MODEL	P.C. BOARD	L55	L
210-7055-1B	210-7055-1	377-0317	
KATA KANA	210-7055-1	377-0317	
210-7055-1B	210-7055-1	377-0317	
GENERAL	210-7055-1	378-2024	

WANG PART NO.	ITEM	QTY	NAME	MATERIAL	DESCRIPTION
210-7058	PC BOARD	1	WANG LABORATORIES, INC.	PC BOARD	PC BOARD
<p>WANG LABORATORIES, INC. MODEL NO. 2100E</p> <p>TITLE: I/O (16 x 64 CRT) PRINTER PLOTTER</p> <p>210-7058 E 7058 7</p>					



HOLE LEGEND

DRILL DIA.	REAMER DIA.	DEPTH
0.0625	0.0625	0.0312
0.125	0.125	0.0625
0.1875	0.1875	0.0937
0.25	0.25	0.125

LOCATION	W.L. PART NO.	QTY	TERM. NO.	TERM. NO.
L1, 5, 7	376-0104	8	16	16
L2	376-0036	7	14	14
L3	376-0010	7	14	14
L4	376-0002	7	14	14
L5, 9	376-0004	7	14	14
L8	376-0016	7	14	14
L10	376-0028	7	14	14
L11, 12, 13	376-0055	7	14	14
L14, 15	376-0119	8	16	16
L17 SKT	376-9003			
L17	377-0156		24	24
L18, 19	376-0148	7	14	14
L20, 22	376-0151	12	5	5
L21, 23	376-0128	7	14	14
L16	DO NOT LOAD			

COMPONENT	W.L. PART NO.
R1, 4, 5, 33-43	320-3022
10, 16, 20, 22-23	
R3-8, 12, 15, 32, 52	330-3010
R9	330-4047
R11	330-2022
R13, 30	330-2039
R17, 19	330-4012
R18, 53	330-4018
R21, 44-51	330-3068
R10	300-5004
C4	300-5006
C5, 10	300-1470
C11-19	300-1900
C2, 20, 21, 23	300-4022
SW.1	325-1503
SW.1 CAP	325-9047
C7	300-2033
D1	380-1001
C22	300-3009

LOCATION	TYPE	SPRES
L1	9602	1
L2	7406	1
L11	7406	2
L12	7406	3
L3	7404	1

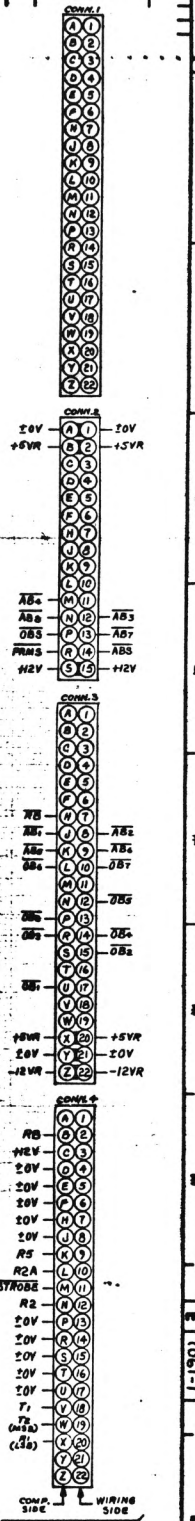
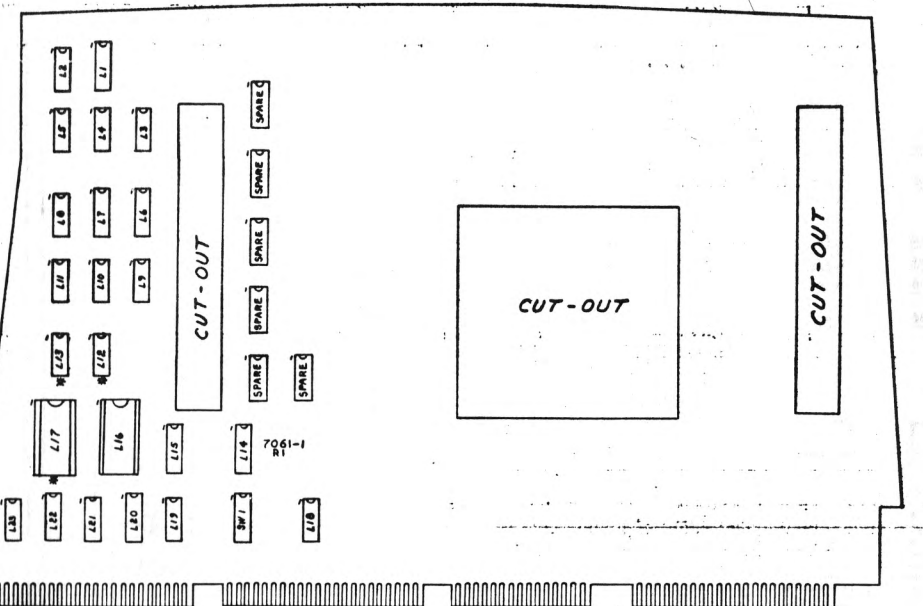
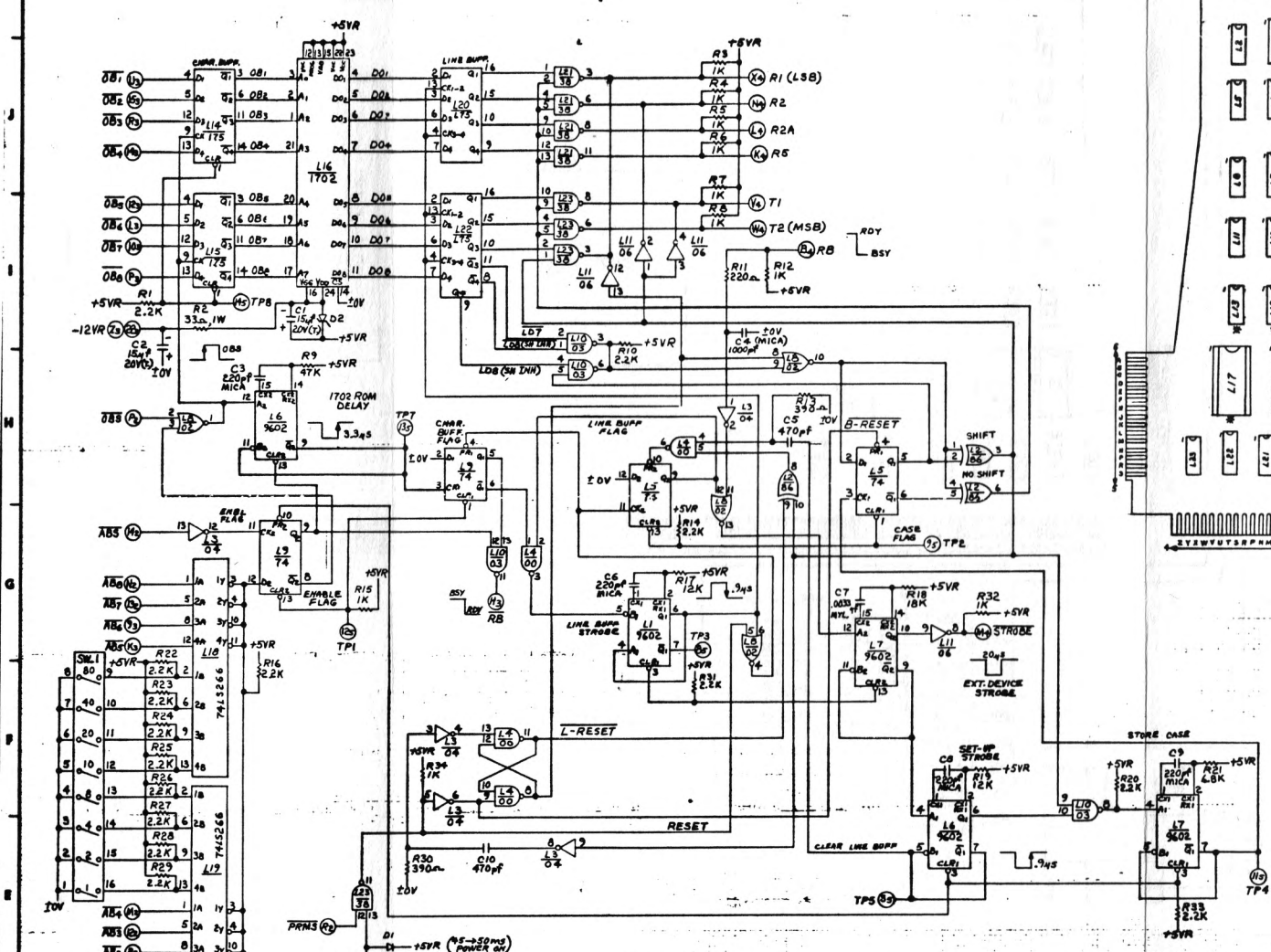
1. ALL I.C. CHIPS ARE 7400 SERIES UNLESS OTHERWISE NOTED. NOTES

REV	DATE	BY	DESCRIPTION
1	5-16-67	ENG	INITIAL DESIGN
2	5-16-67	ENG	REVISED FOR MANUFACTURE
3	5-16-67	ENG	REVISED FOR MANUFACTURE
4	5-16-67	ENG	REVISED FOR MANUFACTURE

WANG PART NO.	ITEM	QTY	NAME	MATERIAL	DESCRIPTION
210-7061	1	1	SCHEMATIC LOGIC BLOC		
<p>WANG</p> <p>MODEL NO. 2200E/F</p> <p>TITLE SCHEMATIC LOGIC BLOC</p> <p>DOUBLE BUFFERED TYPewriter PLOTTER OUTPUT</p> <p>210-7061 E 7061 1</p>					

THIS DOCUMENT IS THE PROPERTY OF WANG LABORATORIES, INC. AND SHALL NOT BE REPRODUCED OR COPIED IN ANY MANNER FOR THE MANUFACTURE OF ANY EQUIPMENT OR SERVICE WITHOUT PERMISSION.

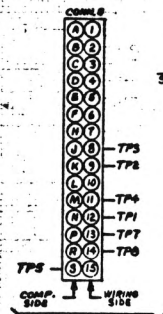
REV.	REVISION	QTY.
A		



LOCATION	W. L. PART NO.	PER. NO.	YMR. NO.
L1, 6, 7	376-0104	8	16
L2	376-0036	7	14
L3	376-0010	7	14
L4	376-0002	7	14
L5, 9	376-0006	7	14
L6	376-0016	7	14
L10	376-0028	7	14
L11	376-0055	7	14
L14, 15	376-0119	8	16
L16 AKT	376-9003		
L18, 19	376-0148	7	14
L20, 22	376-0151	12	5
L21, 23	376-0128	7	14
L16	377-0009		12
L12, 13, 17	NOT LOADED		

COMPONENT	W. L. PART NO.
R1, 11, 12, 13, 33	330-3022
R2	332-1033
R3-8, 12, 15, 32, 34	330-3010
R9	330-4047
R11	330-2022
R13, 30	330-2039
R17, 19	330-4012
R18, 35	330-4018
R21	330-3066
SW. 1	325-1503
SW. 1 CAP	325-9047
D2	380-2091
C1, 2, 20, 21, 23	300-4022
C3, 6, 8, 9	300-5004
C4	300-5006
C5, 10	300-1470
C11-19	300-1900
C7	300-2033
C22	300-3009
D1	380-1601

LOCATION	TYPE	SPARES
L1	9602	1
L2	7406	1
L11	7406	2
L3	7404	1



REV.	DESCRIPTION	DATE
1	ORIGINAL	
2	REVISED PER WANG SPEC	
3	REVISED PER WANG SPEC	
4	REVISED PER WANG SPEC	

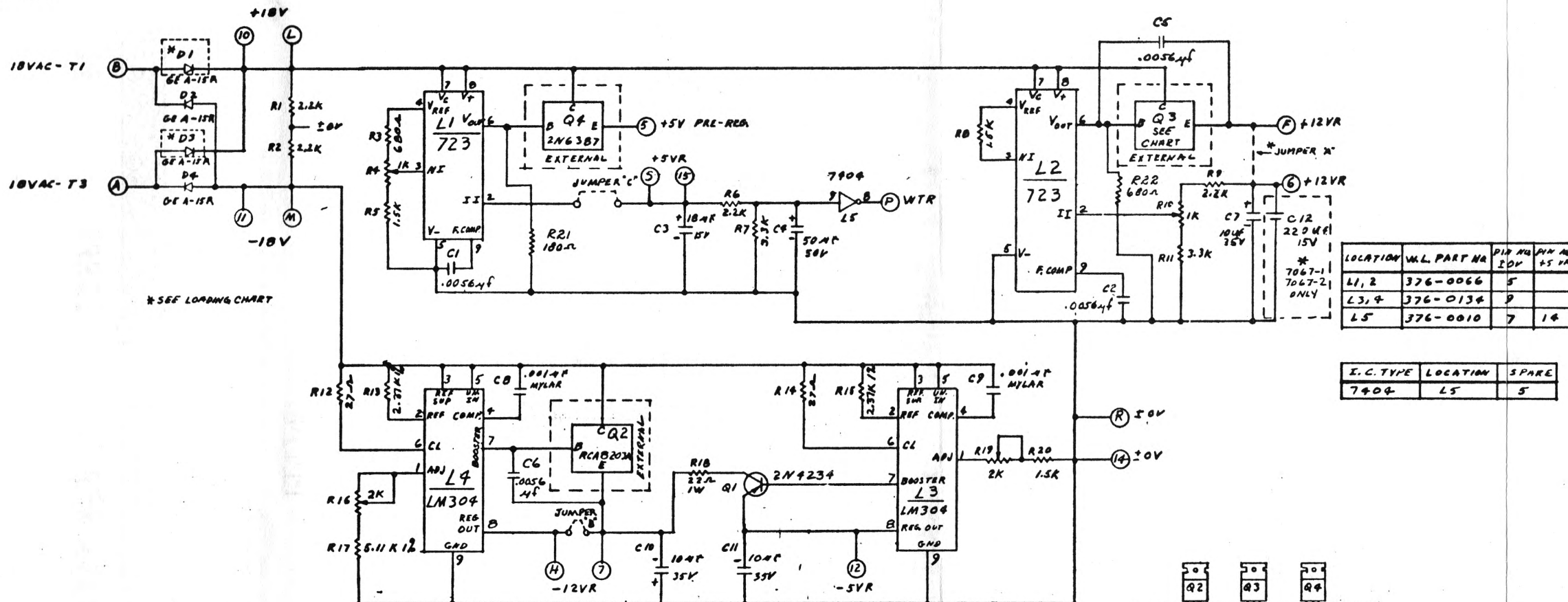
WANG PART NO.	ITEM	QTY.	NAME	MATERIAL	DESCRIPTION
210-7061	E	1	SCHEMATIC LOGIC DOUBLE BUFFERED TYPEWRITER/ PLOTTER OUTPUT		

THE INFORMATION CONTAINED IN THIS DRAWING IS THE PROPERTY OF WANG LABORATORIES, INC. AND IS CONFIDENTIAL AND PROPRIETARY TO WANG LABORATORIES, INC. IT MAY NOT BE COPIED, REPRODUCED OR USED IN WHOLE OR IN PART FOR ANY REASON.

MILLIMETERS IN PARENTHESES. TOLERANCES TO BE EQUIVALENT TO GIVEN DIMENSIONS.

DO NOT SCALE

HOLE LEGEND & TOLERANCES		
HOLE DIA	TOLERANCE	
0125 - 125	+ .003 - .004	
125 - 250	+ .004 - .005	
251 - 500	+ .005 - .007	
STD	DESCRIPTION	QTY
A		



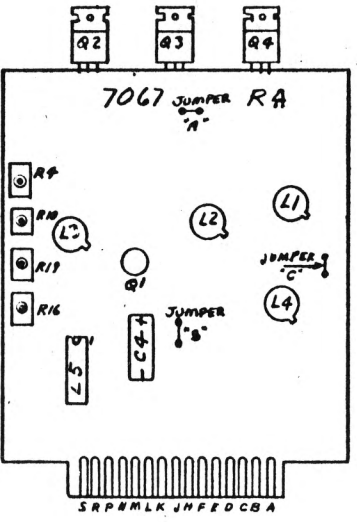
*SEE LOADING CHART

LOCATION	WL PART NO	PIN NO	AVX NO	AVX PK
L1, 2	376-0066	5		
L3, 4	376-0134	9		
L5	376-0010	7	14	

I.C. TYPE	LOCATION	SPARE
7404	L5	5

LOADING CHART	
210-7067	DO NOT LOAD C12, LOAD 375-1052 ON Q2
210-7067-1	DO NOT LOAD D1, D2 & JUMPER 'A'. CHG. C3 TO A 300-4020-47UF, CHG. C7 TO A 300-4045-220UF, UNCL. 375-1052 ON Q2
210-7067-2	LOADING SAME AS 7067, BUT REMOVE JUMPER 'B'. LOAD 375-1052 ON Q1

COMPONENT	WL PART NO.
R1, 2, 9	330-3022
R3, 22	330-2068
R4, 10,	336-1014
R5, 8, 20	330-3015
R7, 11	330-3033
R16, 19	334-1022
R13, 15	333-0093
R12, 14	330-1027
R17	333-0088
R18	332-1022
R21	330-2313
C1, 2, 5, 6	300-1935
C3	300-1918
C4	300-10
C8, 9	300-2010
C7, 10, 11	300-4332
C12	300-4045
D1, 2, 3, 4	380-3008
Q1	375-1024
Q2	375-1053
Q3, 4	375-1052
Q1 PAD	375-9001



7067 7067-1 7067-2
E-REV E-REV E-REV
6 6 5

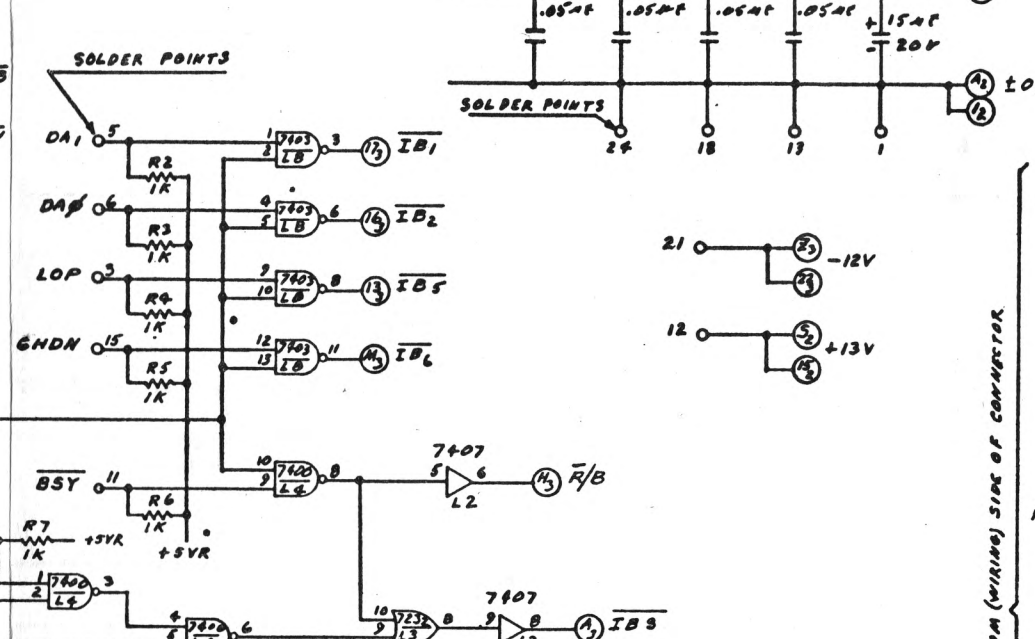
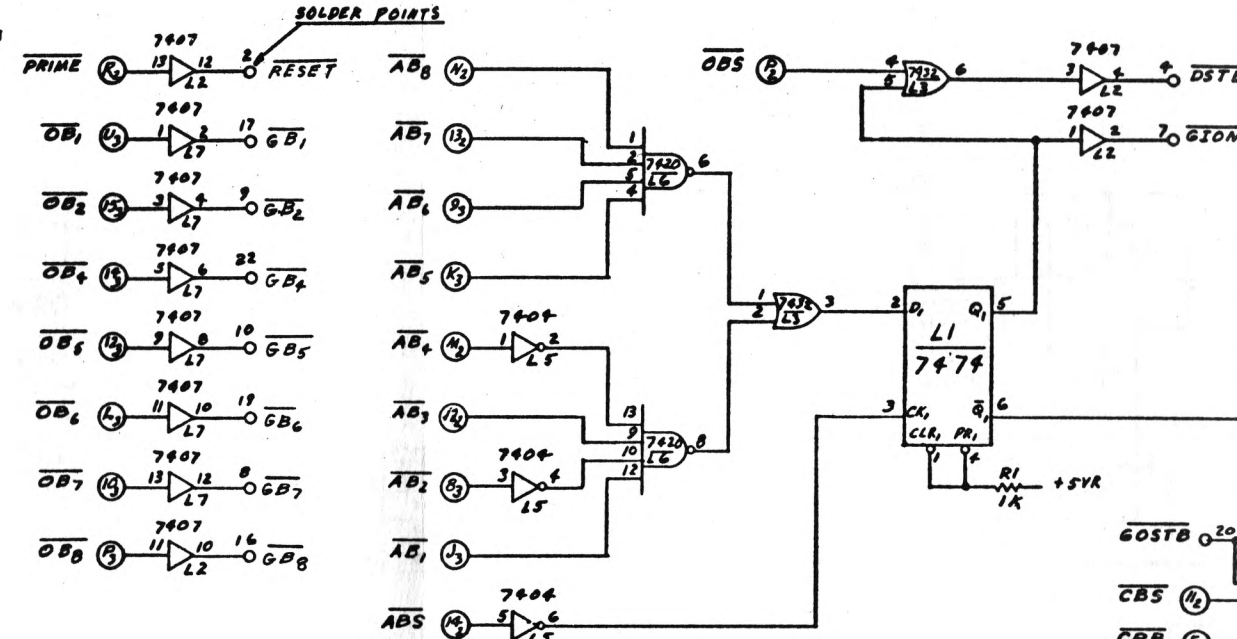
REV	BY	DATE	DESCRIPTION	QTY	ITEM	WANG PART NO.	DRAWING NO.	DESCRIPTION
1	WLD	10-12-76	REVISED PER APP'D WLD					
2	WLD	10-13-76	REVISED PER APP'D WLD					
3	WLD	10-13-76	REVISED PER APP'D WLD					
4	WLD	10-13-76	REVISED PER APP'D WLD					
5	WLD	10-13-76	REVISED PER APP'D WLD					
6	WLD	10-13-76	REVISED PER APP'D WLD					
7	WLD	10-13-76	REVISED PER APP'D WLD					
8	WLD	10-13-76	REVISED PER APP'D WLD					
9	WLD	10-13-76	REVISED PER APP'D WLD					
10	WLD	10-13-76	REVISED PER APP'D WLD					
11	WLD	10-13-76	REVISED PER APP'D WLD					

BY	DATE	APPROVED BY	DATE
DWN	10/13/76	E ENGR	10/13/76
CHK	G.D.	M ENGR	
		MFG ENGR	
TITLE SCHEMATIC POWER SUPPLY REGULATOR			
SEE CHART			
D 7067 11			

THE INFORMATION CONTAINED IN THIS DRAWING IS THE PROPERTY OF WANG LABORATORIES, INC. AND IS CONFIDENTIAL AND PROPRIETARY TO WANG LABORATORIES, INC. IT MAY NOT BE COPIED, REPRODUCED OR USED IN WHOLE OR IN PART FOR ANY REASON.

MILLIMETERS IN PARENTHESIS. TOLERANCES TO BE EQUIVALENT TO INCH DIMENSIONS.

G
F
E
C
B
A

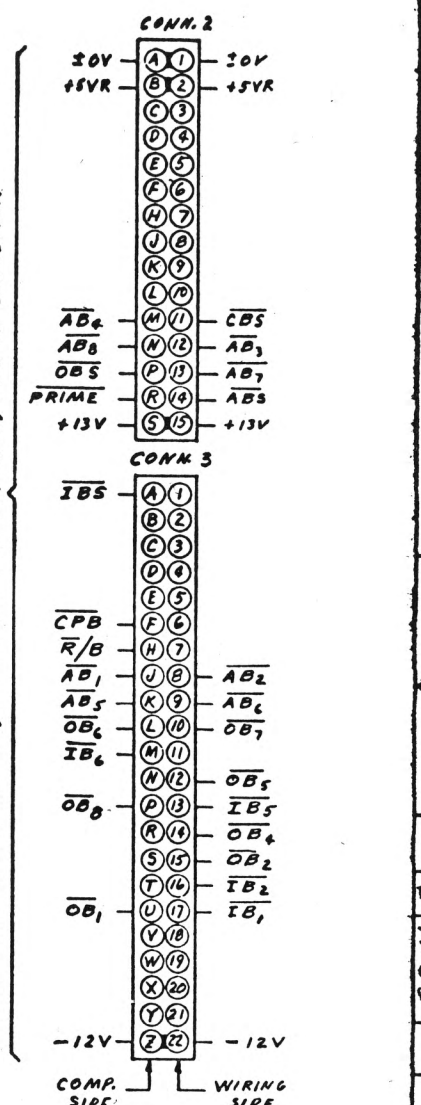
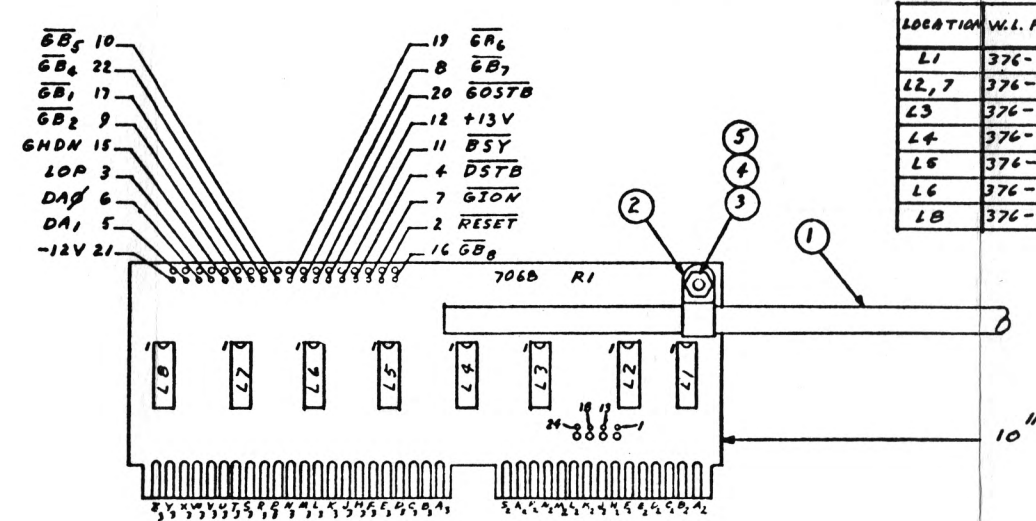


HOLE LEGEND & TOLERANCES		
HOLE DIA.	TOLERANCE	
.035 - .125	+ .002 - .001	
.125 - .250	+ .001 - .001	
.251 - .500	+ .001 - .001	
SYM.	DESCRIPTION	QTY.
A		

LOCATION	W.L. PART No.	PIN No.	PIN No.
		10P	+5VR
L1	376-0006	7	14
L2, 7	376-0056	7	14
L3	376-0093	7	14
L4	376-0002	7	14
L5	376-0010	7	14
L6	376-0004	7	14
L8	376-0028	7	14

I.C. TYPE	LOCATION	SPARE
7400	L4	1
7404	L5	3
7432	L3	1
7474	L1	1

COMPONENT	W.L. PART No.
R1-7	330-3010
C1-4	300-1900
C5	300-9022



E-REV
0

JULY 1 1976

REV.	DATE	BY	APP'D.
1	5-7-76	WLB	WLB
2	5-7-76	WLB	WLB

NO.	REVISION	DATE	BY	APP'D.
1	ORG. PEA	5-7-76	WLB	WLB
2	DWR F119	5-7-76	WLB	WLB
3	APP'D. (W)			
4	REVISED PER			
5	PLAS 2077P			
6	M 2077A			
7	APP'D. (W)			

QTY.	ITEM	WANG PART NO.	DRAWING NO.	DESCRIPTION
1	5	652-3000		#6-32 HEX NUT
1	4	653-300		#6 FLAT WASHER
1	3	650-3120		6-32 x 3/8" SEMS
1	2	659-1252		CABLE CLAMP 1/4"
1	1	220-0142	66482-P2	TESTER CABLE ASSEMBLY

BY	DATE	APPROVED BY	DATE
DWN	7/76	E ENGR	
CHK		M ENGR	
		MFG ENGR	

MATERIAL	MODEL NO.	TITLE
	TESTER	T.B. CASSETTE INTERFACE

FINISH	SCALE	SIZE	DRAWING NUMBER	REV.
	1:1	D	7068	1

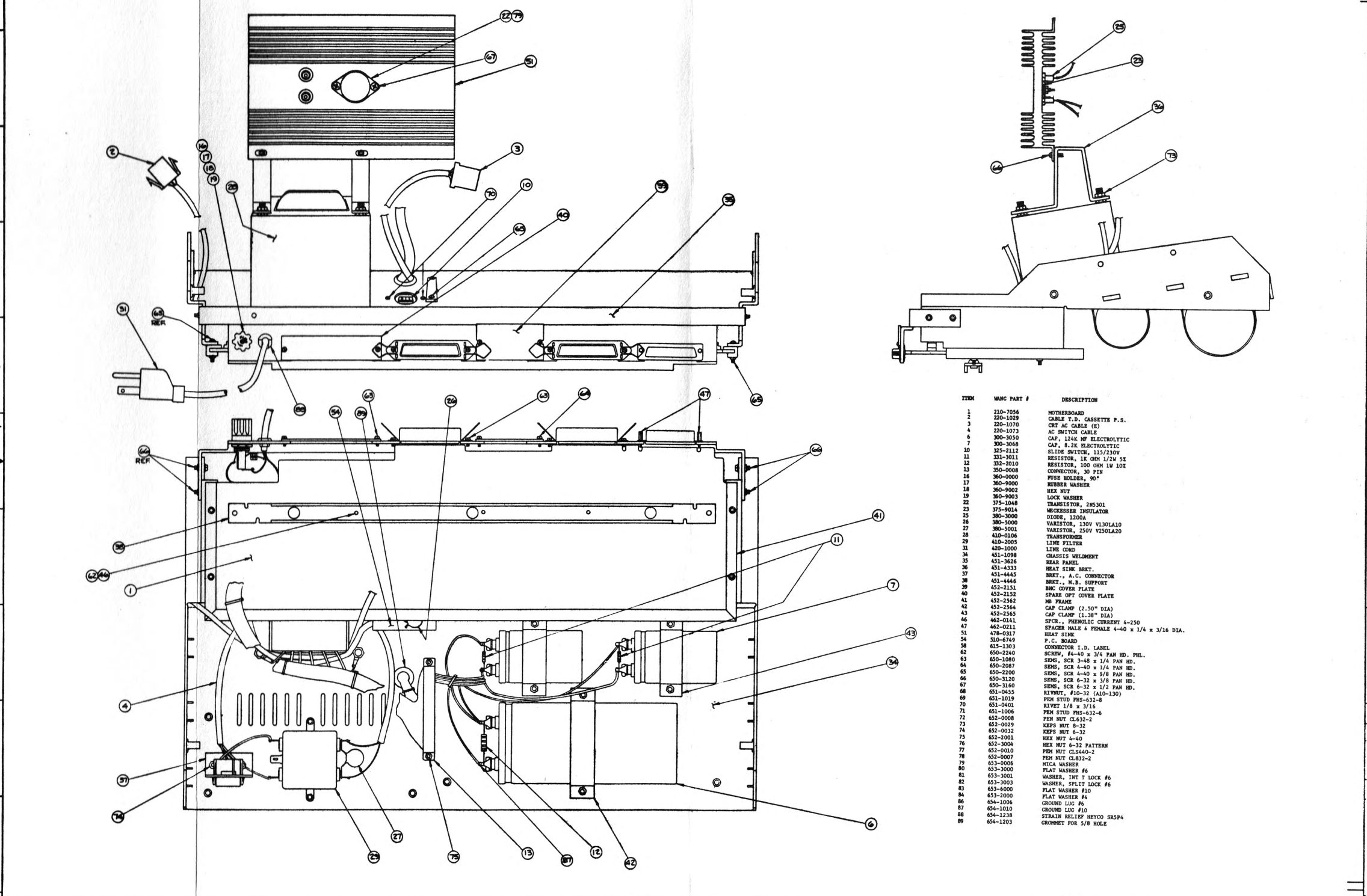
APPENDIX D
ASSEMBLY DRAWINGS

	DRAWING #	TITLE	
Page 96	E6829-10	2200E Chassis Assembly	
	97	E6829-11	2200F Chassis Assembly
	98	D6621-56	2220 Base Sub Assembly
	99	D6621-52	2220 Bezel Assembly
	100	C6060-203	Rewind Switch
	101	B6482-35	Cable, switch, and lamp
	102	B6482-37	Cable, CRT
	103	B6482-39	Cable, Tape drive cassette pwr supply
	104	B6482-86	Cable, CRT board
	105	B6482-87	CRT AC cable assembly
	106	B6482-88	AC Switch cable
	107	B6482-89	9" CRT AC cable assembly
	108	B6482-90	AC Switch cable assembly
	109	C6482-91	PS/MB Cable assembly
	110	C6482-94	AC Switch cable assembly
	111	B6482-95	Power cord assembly
	112	B6482-96	Wire and lug assembly
	113	C6482-79	24 Pin flat cable assembly

14 13 12 11 10 9 8 7 6 5 4 3 2 1

THE INFORMATION CONTAINED IN THIS DRAWING IS THE PROPERTY OF WANG LABORATORIES, INC. AND IS CONFIDENTIAL AND PROPRIETARY TO WANG LABORATORIES, INC. IT IS NOT TO BE COPIED, REPRODUCED OR USED IN WHOLE OR IN PART FOR ANY REASON.
DIMENSIONS IN PARENTHESES TAKE PRECEDENCE TO BE EQUIVALENT TO EACH DIMENSION.

HOLE LEGEND & TOLERANCES	
SIZE	TOLERANCE
1/16"	+ .0015"
1/8"	+ .0020"
3/16"	+ .0030"
1/4"	+ .0040"
5/16"	+ .0050"
3/8"	+ .0060"
1/2"	+ .0075"
5/8"	+ .0090"
3/4"	+ .0100"
1"	+ .0120"
1 1/4"	+ .0150"
1 1/2"	+ .0175"
2"	+ .0225"
2 1/2"	+ .0275"
3"	+ .0325"
3 1/2"	+ .0375"
4"	+ .0425"
4 1/2"	+ .0475"
5"	+ .0525"
5 1/2"	+ .0575"
6"	+ .0625"
6 1/2"	+ .0675"
7"	+ .0725"
7 1/2"	+ .0775"
8"	+ .0825"
8 1/2"	+ .0875"
9"	+ .0925"
9 1/2"	+ .0975"
10"	+ .1025"
10 1/2"	+ .1075"
11"	+ .1125"
11 1/2"	+ .1175"
12"	+ .1225"
12 1/2"	+ .1275"
13"	+ .1325"
13 1/2"	+ .1375"
14"	+ .1425"



ITEM	WANG PART #	DESCRIPTION
1	210-7056	MOTHERBOARD
2	220-1029	CABLE T.D. CASSETTE P.S.
3	220-1070	INT AC CABLE (2)
4	220-1073	AC SWITCH CABLE
6	300-3050	CAP. 2.4K HP ELECTROLYTIC
7	300-3068	CAP. 5.1K HP ELECTROLYTIC
10	335-2112	SLIDE SWITCH, 115/230V
11	331-3011	RESISTOR, 1K OHM 1/2W 5%
12	332-2010	RESISTOR, 100 OHM 1/4W 5%
13	350-0008	CONNECTOR, 30 PIN
14	360-0000	POSS HOLDER, 90°
17	360-9000	RUBBER WASHER
18	360-9002	HEX NUT
19	360-9003	LOCK WASHER
22	375-1048	TRANSISTOR, 2N301
23	375-9014	WICKESSEER INSULATOR
25	380-3000	DIODE, 1200A
26	380-5000	VARIATOR, 130V V120LA10
27	380-5001	VARIATOR, 250V V250LA20
28	410-0106	TRANSFORMER
29	410-2003	LINE FILTER
31	420-1000	LINE CORD
34	451-1098	CRACKS WELDMENT
35	451-3626	REAR PANEL
36	451-4433	HEAT SINK BRKT.
37	451-4445	BRKT., A.C. CONNECTOR
38	451-4446	BRKT., M.B. SUPPORT
39	452-2151	MIC COVER PLATE
40	452-2152	SPARE OPT COVER PLATE
41	452-2562	MB FRAME
42	452-2564	CAP CLAMP (2.50" DIA)
43	452-2565	CAP CLAMP (1.30" DIA)
44	462-0141	SECR., PHENOLIC CURRENT 4-250
47	462-0111	SPACER MALE & FEMALE 4-40 x 1/4 x 3/16 DIA.
51	478-0317	HEAT SINK
54	510-6749	P.C. BOARD
58	615-1303	CONNECTOR T.D. LABEL
62	650-2240	SCREWS, #4-40 x 1/4 PAN HD. PHIL.
63	650-1080	SEMS, SCR 3-48 x 1/4 PAN HD.
64	650-2087	SEMS, SCR 4-40 x 1/4 PAN HD.
65	650-2100	SEMS, SCR 4-40 x 3/8 PAN HD.
66	650-3120	SEMS, SCR 6-32 x 3/8 PAN HD.
67	650-3160	SEMS, SCR 6-32 x 1/2 PAN HD.
68	651-0455	RIVNUT, #10-32 (A10-130)
69	651-1019	PEN STUD PHS-632-8
70	651-0401	RIVET 1/8" x 3/16
71	651-1006	PEN STUD PHS-632-6
72	652-0008	PEN NUT CL632-2
73	652-0019	KEPS NUT 6-32
74	652-0032	KEPS NUT 6-32
75	652-2001	HEX NUT 4-40
76	652-3006	HEX NUT 6-32 PATTERN
77	652-0010	PEN NUT CL5440-2
78	652-0007	PEN NUT CL632-2
79	653-0008	WICA WASHER
80	653-3000	PLAT WASHER #6
81	653-3001	WASHER, INT T LOCK #6
82	653-3003	WASHER, SPIT LOCK #6
83	653-4000	PLAT WASHER #10
84	653-2000	FLAT WASHER #4
86	654-1006	GROUND LUG #6
87	654-1010	GROUND LUG #10
88	654-2218	STRAIN RELIEF WYCO SR5P4
89	654-1203	CRIBNET FOR 3/8 HOLE

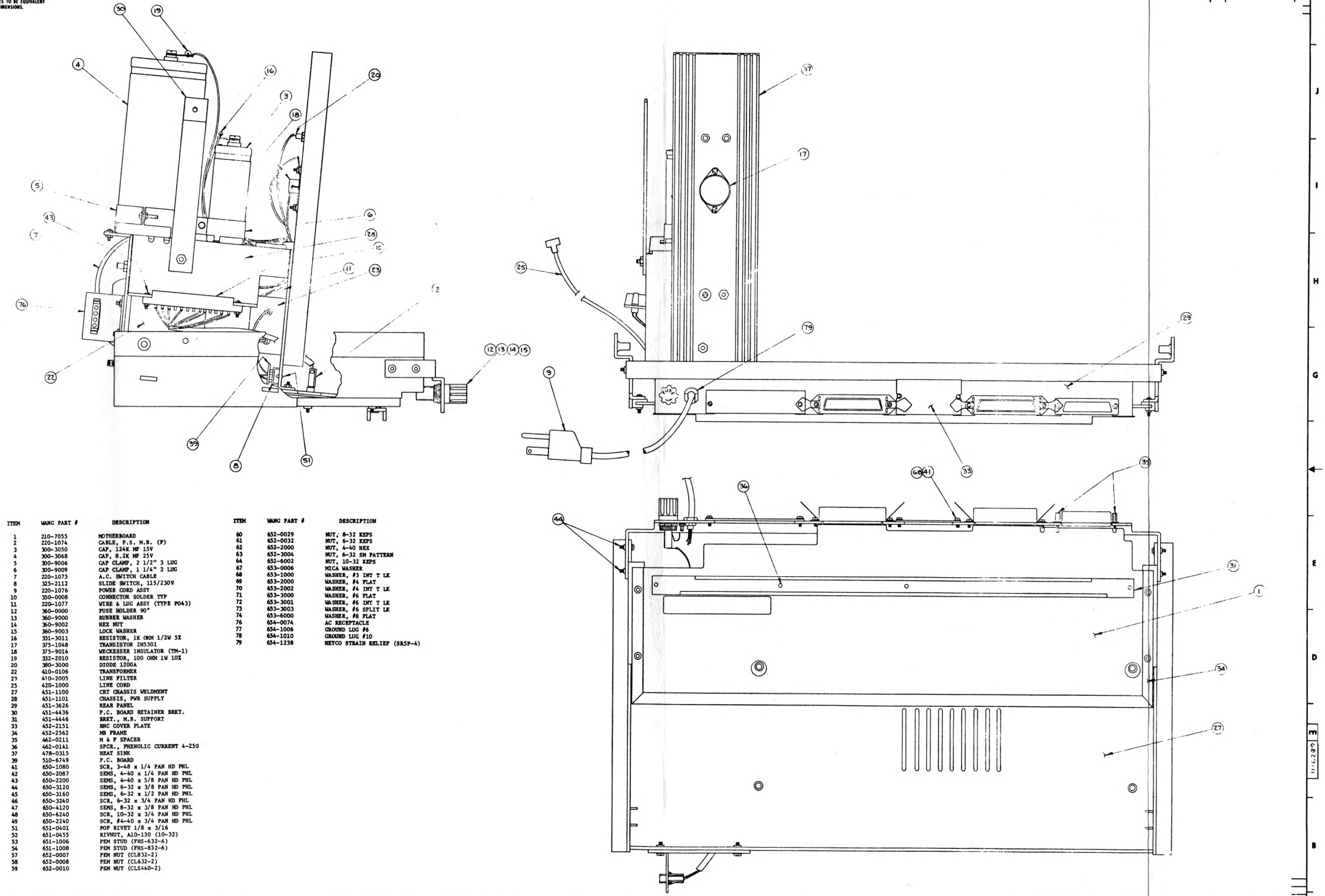
QTY	ITEM	WANG PART NO	DRAWING NO	DESCRIPTION	BY	DATE	APPROVED BY	DATE
	HEAT ASS'Y							
				WANG LABORATORIES, INC. TEMPERLEY WARE U.S.A.	OWN ENG	CHL	ENG	
				MODEL NO. 2200E	QTY/1	MIS ENGR		
				SIX TAPING SPECIFICATIONS W. 5-10001			CHASSIS ASS'Y	
				FINISH ZIN. PL. AS NOTED ALL DIMENSIONS UNLESS OTHERWISE SPECIFIED ALL DIMENSIONS ARE IN INCHES DECIMAL FRACTIONS TO 1/16"		270-0320	E	12/17/70
				DRG. TITLE SCALE 1:1 (SEE DRAWING)	WANG PART NUMBER	QTY	DRAWING NUMBER	REV

14 13 12 11 10 9 8 7 6 5 4 3 2 1

THE INFORMATION CONTAINED IN THIS DRAWING IS THE PROPERTY OF WANG LABORATORIES, INC. AND IS CONFIDENTIAL AND PROPRIETARY TO WANG LABORATORIES, INC. IT MAY NOT BE COPIED, REPRODUCED OR USED IN WHOLE OR IN PART FOR ANY REASON.

DIMENSIONS IN PARENTHESES TOLERANCES TO BE EQUIVALENT TO SUCH DIMENSIONS.

WANG LEGEND & TOLERANCES		
SYMBOL	DESCRIPTION	UNIT
∅	DIA.	INCH
∅	DIA.	MILLIMETER
∅	DIA.	MILLIMETER
∅	DIA.	MILLIMETER



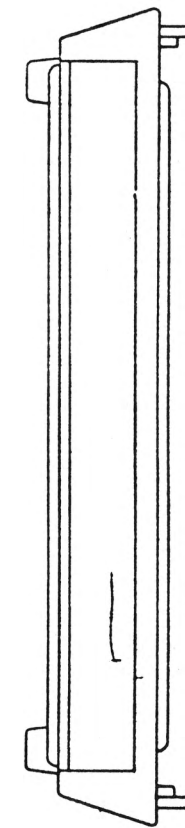
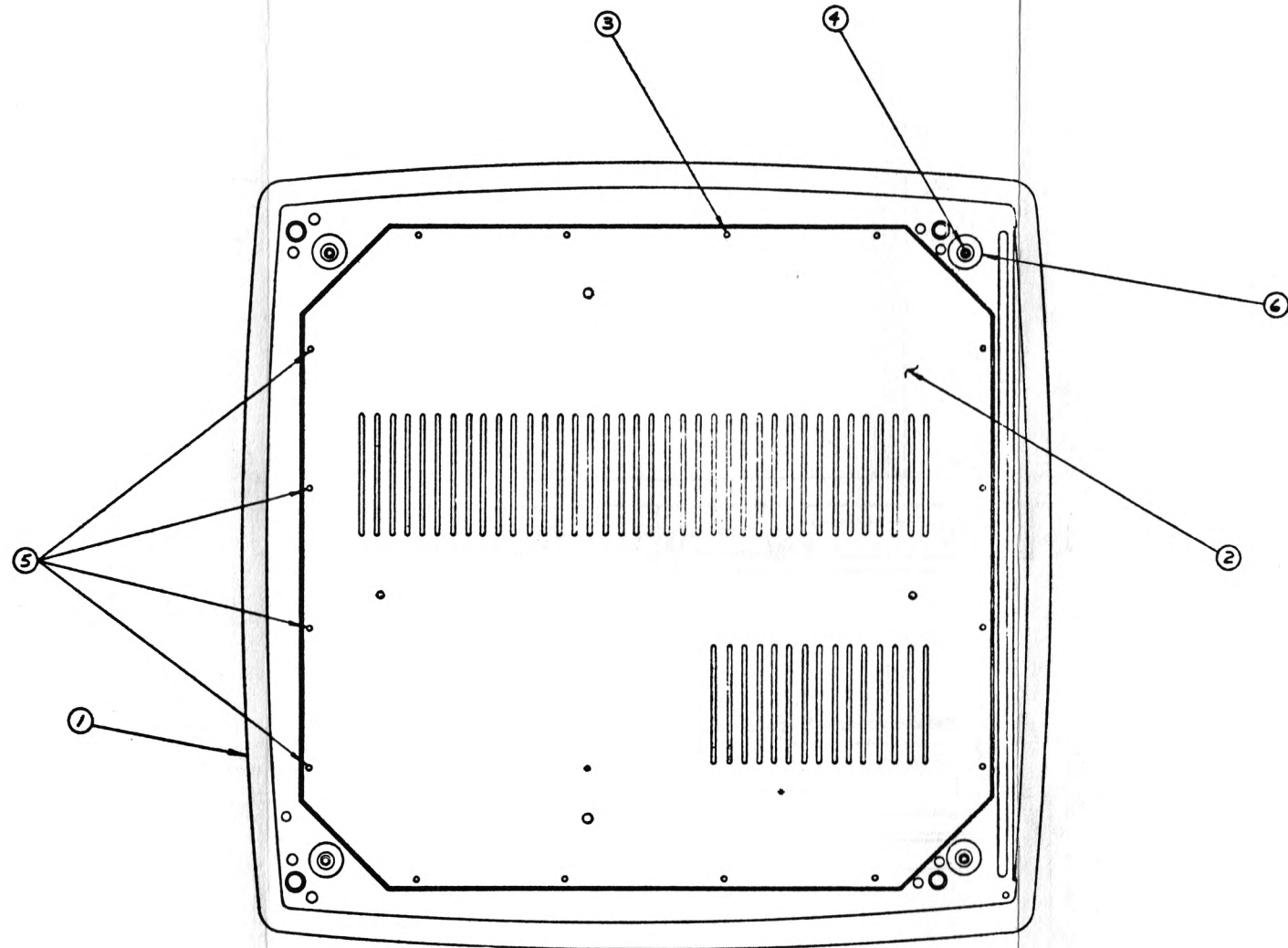
ITEM	WANG PART #	DESCRIPTION	ITEM	WANG PART #	DESCRIPTION
1	210-7055	MOTHERBOARD	60	652-0029	NUT, 8-32 KEPS
2	220-1074	CABLE, P.S. M.B. (P)	61	652-0032	NUT, 6-32 KEPS
3	300-3050	CAP, 124K MF 15V	62	652-2000	NUT, 4-40 HEX
4	300-3068	CAP, 8.2K MF 25V	63	652-3004	NUT, 6-32 SH PATTERN
5	300-9006	CAP CLAMP, 2 1/2" x 3 LG	64	652-6002	NUT, 10-32 KEPS
6	300-9009	CAP CLAMP, 1 1/4" x 2 LG	67	653-0006	MEGA WASHER
7	220-1075	A.C. SWITCH CABLE	68	653-1000	WASHER, #3 INT T LK
8	325-2112	SLIDE SWITCH, 115/230V	69	653-2000	WASHER, #4 PLAT
9	220-1076	POWER CORD ASSY	70	653-2000	WASHER, #4 INT T LK
10	350-0008	CONNECTOR SOLDER TYP	71	653-3000	WASHER, #6 PLAT
11	220-1077	WIRE & LUG ASSY (TYPE P043)	72	653-3001	WASHER, #6 INT T LK
12	360-0000	FUSE HOLDER 90°	73	653-3003	WASHER, #6 SPLIT LK
13	360-9000	RUBBER WASHER	74	653-6000	WASHER, #6 PLAT
14	360-9002	HEX NUT	76	654-0074	AC RECEPTACLE
15	360-9003	LOCK WASHER	77	654-1006	GROUND LUG #6
16	331-3011	RESISTOR, 1K OHM 1/2W 5%	78	654-1010	GROUND LUG #10
17	375-1048	TRANSISTOR 2N5301	79	654-1238	NETCO STRAIN RELIEF (885P-4)
18	375-9014	WECKESSER INSULATOR (TM-1)			
19	332-2010	RESISTOR, 100 OHM 1W 10%			
20	380-3000	DYODE 120A			
22	410-0106	TRANSFORMER			
23	410-2005	LINE FILTER			
25	420-1000	LINE CORD			
27	451-1100	CRT CHASSIS WELDMENT			
28	451-1101	CHASSIS, PWR SUPPLY			
29	451-3626	REAR PANEL			
30	451-4436	P.C. BOARD RETAINER BRKT.			
31	451-4446	BRKT., M.B. SUPPORT			
33	452-2151	MG COVER PLATE			
34	451-2562	MG FRAME			
35	462-0211	H & F SPACER			
36	462-0141	SPCR., PHENOLIC CURRENT 4-250			
37	478-0315	HEAT SINK			
39	510-6749	P.C. BOARD			
41	650-1080	SCR, 3-48 x 1/4 PAN HD PHL			
42	650-1087	SEMS, 4-40 x 1/4 PAN HD PHL			
43	650-2200	SEMS, 4-40 x 5/8 PAN HD PHL			
44	650-3120	SEMS, 6-32 x 3/8 PAN HD PHL			
45	650-3160	SEMS, 6-32 x 1/2 PAN HD PHL			
46	650-3240	SCR, 6-32 x 3/4 PAN HD PHL			
47	650-4120	SEMS, 8-32 x 3/8 PAN HD PHL			
48	650-6240	SCR, 10-32 x 3/4 PAN HD PHL			
49	650-2240	SCR, 4-40 x 3/4 PAN HD PHL			
51	651-0401	POP RIVET 1/8 x 3/16			
52	651-0455	RIVNUT, A10-130 (10-32)			
53	651-1006	PEM STUD (FHS-632-6)			
54	651-1008	PEM STUD (FHS-832-6)			
57	652-0007	PEM NUT (CL832-2)			
58	652-0008	PEM NUT (CL832-2)			
59	652-0010	PEM NUT (CL8440-2)			

QTY	ITEM	WANG PART NO	DRAWING NO	DESCRIPTION	BY	DATE	APPROVED BY	DATE
	NEXT ASSY							
				TITLE: CHASSIS ASSY MODEL NO: 22CDF DATE: 11-11-66 DRAWN BY: J. E. HARRIS CHECKED BY: J. E. HARRIS APPROVED BY: J. E. HARRIS DATE: 11-11-66				
				WANG PART NUMBER: E J 229-11 DRAWING NUMBER: 1				

THIS DOCUMENT IS THE PROPERTY OF WANG LABORATORIES, INC. AND SHALL NOT BE REPRODUCED OR COPIED, OR USED AS A BASIS FOR THE MANUFACTURE OR SALE OF APPARATUS OR DEVICES WITHOUT PERMISSION.

HOLE LEGEND		
DRAWING OR FINISHED HOLE TOLERANCES	HOLE DIA.	TOL.
	0.125 to 1.25	± .015
	1.26 to 2.50	± .020
	2.51 to 5.00	± .030

REV.	DESCRIPTION	QTY
A		



ITEM	WANG PART #	DESCRIPTION
1	449-0095	2220 BASE
2	451-2111	BOTTOM COVER 2220
3	651-0400	RIVET, AVDEL 11250412 1/8 x 3/8 LG.
4	651-0402	RIVET, AVDEL 11210615 3/16 x 7/16 LG.
5	651-0436	RIVET, AVDEL 1/8 x 3/8 100° 0-SINK
6	655-0205	BUMPER, WHITE #2096 SW

SEE PL 6621-56

WANG PART NO.	ITEM	QTY	NAME	MATERIAL	DESCRIPTION		
1	TOTAL						
			WANG LABORATORIES, INC. TEMBURY, MASS. U. S. A.	BY	DATE	APPROVED BY	DATE
				DAN JAC	6/11/75	E ENGR	
			MATERIAL	MODEL NO.	E C CONTROL	M ENGR	
				6621	MFG ENGR		
			FINISH	SEE ENGR SPECIFICATIONS No. 55-1001	TITLE 2220 BASE SUB-ASSY		
				TOL. EX. AS NOTED XXX ± 0.10 FRAC. ± 1/64 XXX ± 0.05 ANG. ± 1°30' FINISH ✓	275-1010	D	6621-56
			SCALE 1:2	SHT 1 OF 1	WANG PART NUMBER	SIZE	DRAWING NUMBER
							REV

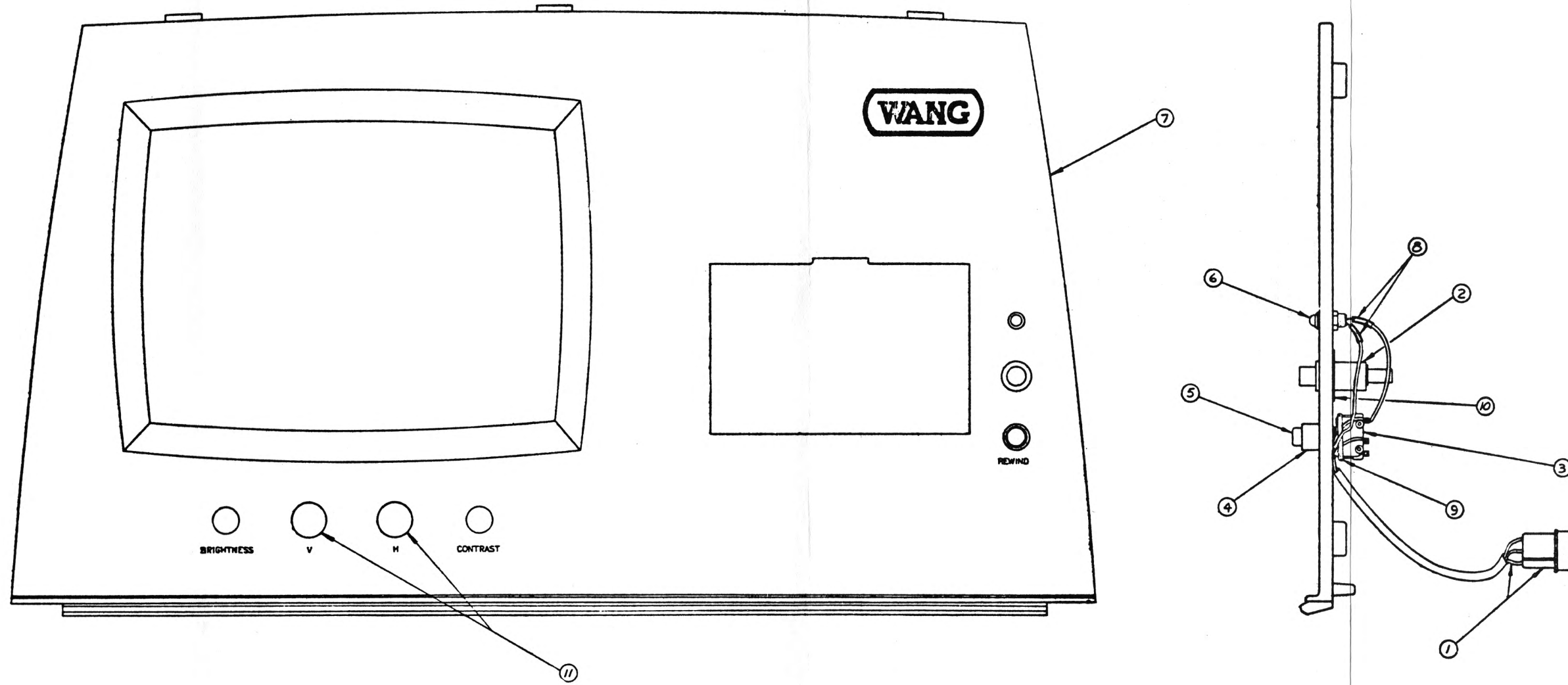
THIS DOCUMENT IS THE PROPERTY OF WANG LABORATORIES, INC. AND SHALL NOT BE REPRODUCED OR COPIED, OR USED AS A BASIS FOR THE MANUFACTURE OR SALE OF APPARATUS OR DEVICES WITHOUT PERMISSION.

DO NOT SCALE

HOLE LEGEND			
DRILLED OR PUNCHED HOLE TOLERANCES	HOLE DIA	DIA	TOL
	0.125 to 1.25	± .005	± .005
	1.26 to 2.00	± .005	± .005
	2.01 to 5.00	± .005	± .005

IDENT	DESCRIPTION	QTY
A		

ITEM	WANG PART #	DESCRIPTION
1	220-1025	CABLE, SW. & LAMP (2200)
2	279-0078	TD DOOR RELEASE ASSY.
3	279-0300	MICRO SWITCH, ASSY.
4	325-9032	BUTTON, GUARD NAT, ALUM
5	325-9035	BUTTON, PUSH BLACK ALCO C-12
6	370-0039	LAMP, REPLACEABLE ASSY. WHITE HFK-5
7	449-0093	BEZEL, 2220 9" CRT
8	605-0002	TUBING, #15 CLEAR
9	605-1004	CABLE TYE, PAN-TY PLTIM-M
10	651-0503	CLIP, TINNEMAN C501-017-27
11	655-0009	PLUG, BUTTON BLACK SS 51388 P5001

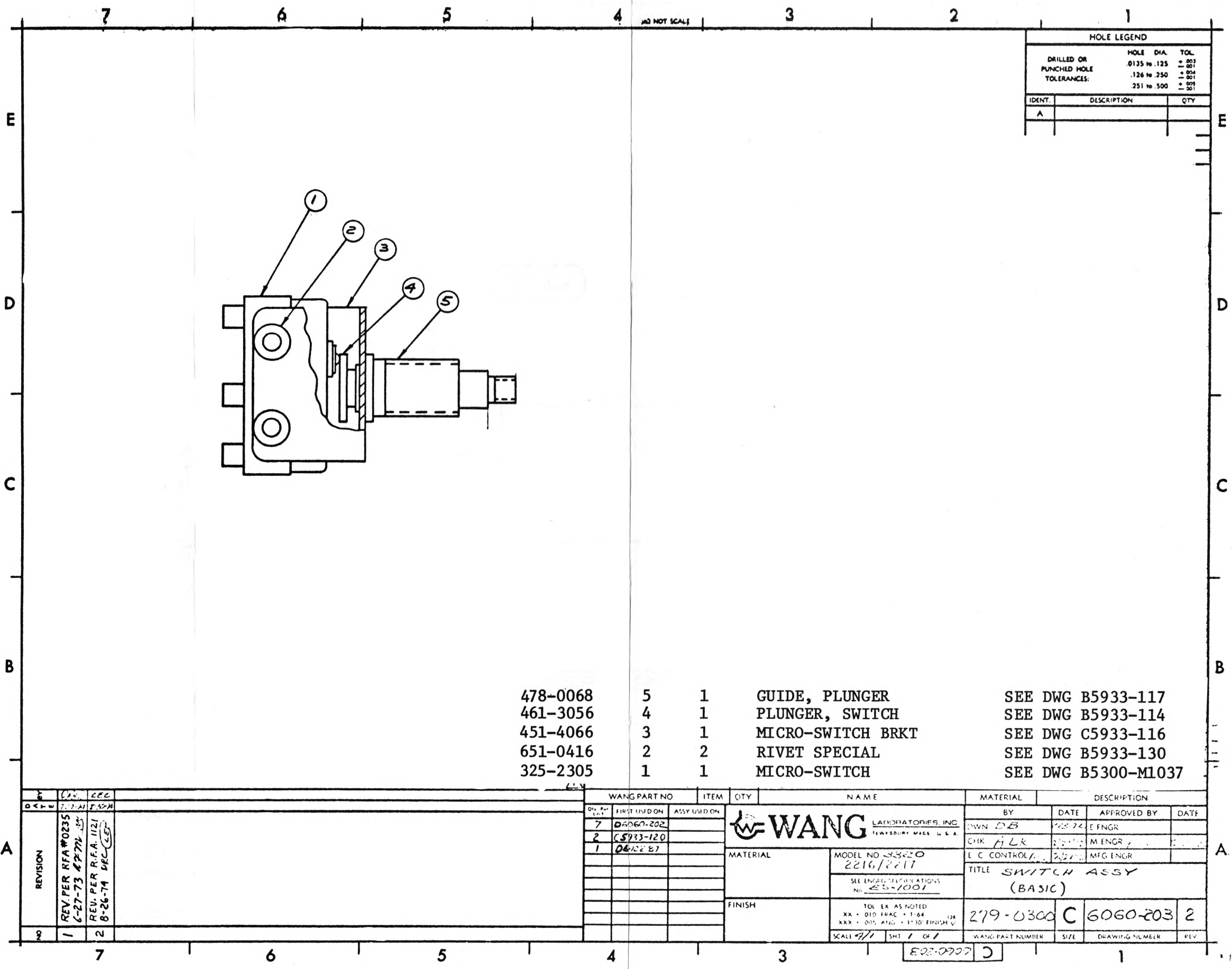


SEE PL 6621-52

REVISION	DATE	BY	DESCRIPTION

WANG PART NO	ITEM	QTY	NAME	MATERIAL	DESCRIPTION

WANG LABORATORIES, INC. TELECOMMUNICATIONS DIVISION		BY: DWN DEC 1/8/75	DATE: 1/8/75	APPROVED BY: E ENGR	DATE:
MATERIAL:		CHK: 2/2/76	DATE: 2/1/76	M ENGR	
FINISH:		E C CONTROL: MFG ENGR			
MODEL NO: 6621		TITLE: 2220 BEZEL ASSEMBLY			
SEE ENGR SPECIFICATIONS No. 52-1601		TOL EX AS NOTED			
TOL EX AS NOTED		272-0002			
DOWNSIDE ± .010 PRAC ± 1/64		D 6621-52			
SIDE ± .005 ANG ± 1°30' FINISH V		WANG PART NUMBER			
SCALE: 1/1 SHT 1 OF 1		SIZE: D			
		DRAWING NUMBER: 6621-52			
		REV: 0			



HOLE LEGEND		
DRILLED OR	HOLE DIA.	TOL.
PUNCHED HOLE	.0135 to .125	± .003
TOLERANCES:	.126 to .250	± .004
	.251 to .500	± .005
		± .001
IDENT.	DESCRIPTION	QTY
A		

478-0068	5	1	GUIDE, PLUNGER	SEE DWG B5933-117
461-3056	4	1	PLUNGER, SWITCH	SEE DWG B5933-114
451-4066	3	1	MICRO-SWITCH BRKT	SEE DWG C5933-116
651-0416	2	2	RIVET SPECIAL	SEE DWG B5933-130
325-2305	1	1	MICRO-SWITCH	SEE DWG B5300-M1037

REV	DATE	BY	DESCRIPTION	WANG PART NO	ITEM	QTY	NAME	MATERIAL	DESCRIPTION				
									BY	DATE	APPROVED BY	DATE	
7	02-06-73	CCC		6060-202			WANG LABORATORIES, INC. NEWSPORT NEWS, U.S.A.						
2	05-23-72	F.S.M.		5933-120			MODEL NO. 53-20 2216/2011						
1	06-22-67	F.S.M.					SEE ENG'G TESTIFICATIONS No. 43-1001						
1	06-27-73	CCC	REV. PER R.F.A. #0235				TOL. EX. AS NOTED XX - 010 IRAC - 1-64 XXX - 005 ATG - 1-10 FINISH	279-0300	C	6060-203	2		
2	08-26-74	CCC	REV. PER R.F.A. #121 8-26-74 DRC-CEP				SCALE 4/1 SHT 1 OF 1						