

DIGITAL FLATBED PLOTTER**Models:****632,
732A
2232A****632A**

Second Edition (January 1984)

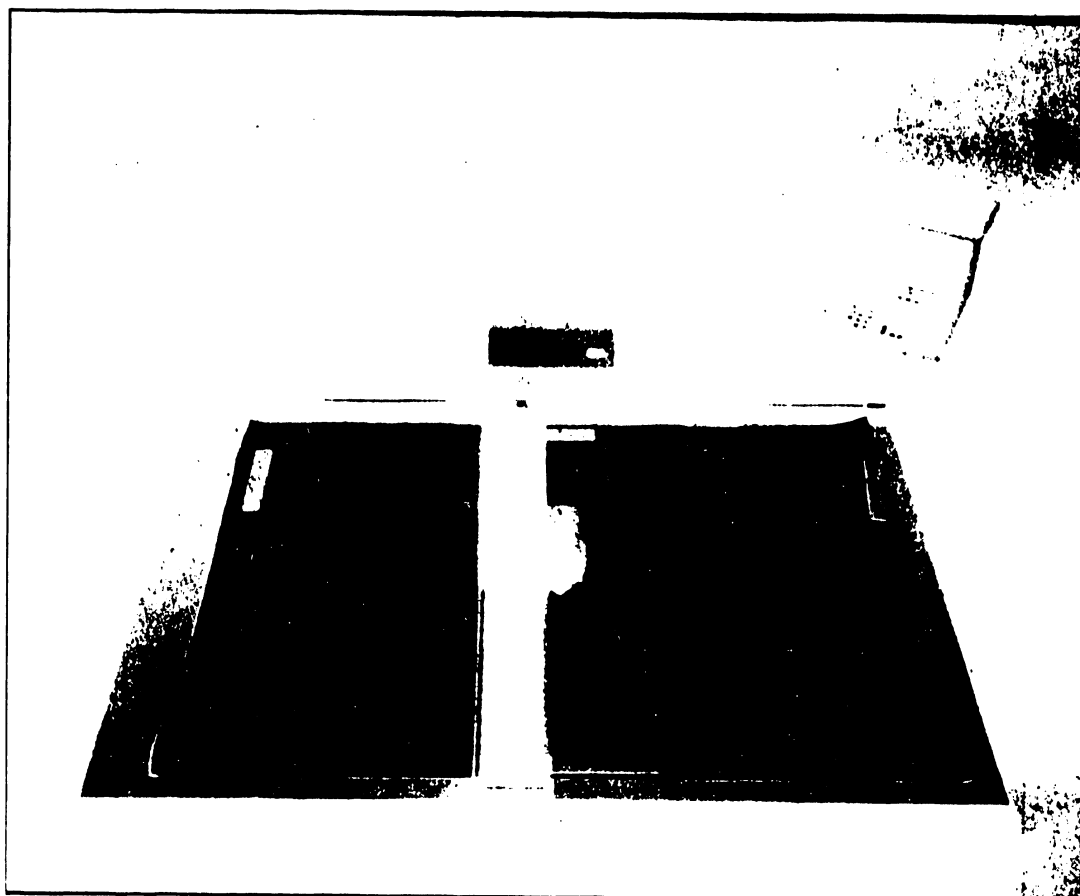
This manual is a reprint that incorporates three Service Bulletins 729-0461, 729-0462, and 729-0463 for ease of handling and stocking. Updates and/or changes to this document will be published as Product Update Bulletins (PUBs) or subsequent editions.

This document is the property of Wang Laboratories, Inc. All information contained herein is considered company proprietary, and its use is restricted solely for the purpose of assisting the Wang-trained CE in servicing this Wang product. Reproduction of all or any part of this document is prohibited without the prior consent of Wang Laboratories, Inc.

**SERVICE
BULLETIN
NO. 44**

EDITED BY PRODUCT SERVICE DEPT.

MODEL 32 DIGITAL FLATBED PLOTTER



NOTICE:

This document is the property of Wang Laboratories, Inc. Information contained herein is considered company proprietary information and its use is restricted solely to the purpose of assisting you in servicing Wang products. Reproduction of all or any part of this document is prohibited without the consent of Wang Laboratories.

WANG

LABORATORIES, INC.

836 NORTH STREET, TEWKSBURY, MASSACHUSETTS 01876, TEL. (617) 851-4111, TWX 710 343-6766, TELEX 94-7421

Printed in U.S.A.
13-210

TABLE OF CONTENTS

1.	GENERAL	3
	1.1 Description	3
	1.2 Plotting Table and Surface	3
	1.3 Software	3
	1.4 Format	3
	1.5 Specifications	3
2.	COMPONENTS	4
	2.1 Electronics Portion	4
	2.2 Mechanical Portion	5
3.	OPERATING CONFIGURATION	5
	3.1 Calculator Connection	5
	3.2 System Configuration	5
	3.3 To Connect a Model 32 System	5
4.	OPERATION	7
	4.1 Plotting Location	7
	4.2 Programming	8
	4.3 Plot Pen Down - Examples	8
	4.4 Plot Pen Up Procedure	13
	4.5 Home Position	13
5.	MECHANICAL ADJUSTMENTS	16
	5.1 Adjustment Tools	16
	5.2 Adjustment Tape	16
	5.3 Pen Solenoid Adjustment	16
	5.4 Plunger Overtravel	16
	5.5 Preload Spring Tension	19
	5.6 Dash Pot	21
	5.7 Carrier Brake Adjustment	21
	5.8 Leveling Y Arm	22
	5.9 Squaring X Shaft	24
	5.10 Making Y Arm Perpendicular to the X Shaft	24
	5.11 X Rack Adjustment - Early Models	24
	5.12 Pinion Loading Adjustment	27
	5.13 Y Increment Adjustment	27
	5.14 Cable Tension Adjustment	32
	5.15 Photocell Adjustment	34
	5.16 Home Position Alignments	35
	5.17 Carriage Loading Adjustment	39
	5.18 Y Arm Removal and Replacement	39
6.	ELECTRICAL ADJUSTMENTS - L565 PC	42
	6.1 +5VR Adjustment	42
	6.2 +23VR Adjustment	42
	6.3 Stepping Motor Frequency Adjustment	42
7.	ACCESSORIES OF THE MODEL 32 AND THEIR USE	44
	7.1 List of Accessories	44
	7.2 Description of Accessories	44
8.	DIAGNOSTICS VERIFY 8560	47
	8.1 Concentric Circles or Ellipses	47
	8.2 Incrementing Radii	48
	8.3 Rectangle Drawn at an Angle	49
	8.4 Rectangles	50
	8.5 90° Angle for Aligning X Shaft and Y Arm	51
	8.6 Dash Pot Diagnostic	51
	8.7 Subroutine - For Greater Than 999 Increments	51
9.	PREVENTIVE MAINTENANCE PROCEDURES	52
	9.1 Lubrication	52
	9.2 Cleaning	52
	9.3 Visual Inspection	52

ATTENTION

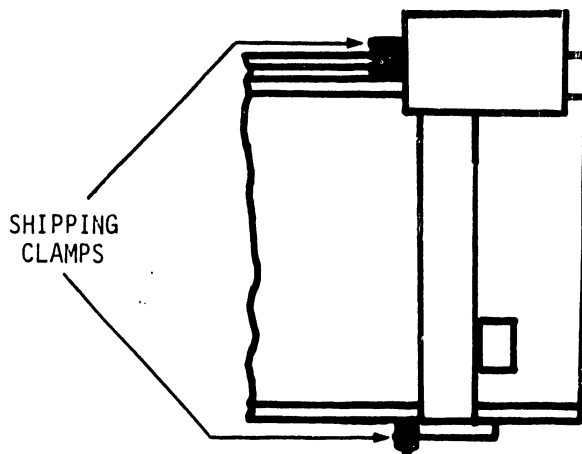
UNPACKING & PACKING INSTRUCTIONS

When installing or replacing a Model 32 plotter, do not destroy the packing material. Do not discard the packing material until a full check-out procedure has been performed.

To install a plotter, lie the carton containing the table and arm flat on the floor with the arrows pointing up. Remove the packing tapes and cover. Remove the top layer of Instapak foam; this will reveal the plotting table. *With the aid of another person* lift the table vertically from the carton. If the plotting table is to be mounted on a Mayline or similar table and the customer wishes to install the table clamps refer to section 7.2 #5 and follow that procedure. If no clamps are to be installed simply lie the plotting table on the customer's table with the gearfence extending over one edge approximately three inches.

There are two shipping clamps on the Model 32. One is in the X rail of the table which keeps the arm forced against the right margin of the table. The wooden clamp is held by a bolt through its center. Loosen this bolt and then slide the clamp to left until it leaves the X rail. The other wooden clamp is at the opposite end of the arm. It also forces the arm against the right margin of the table. It is to the left of the arm clamped around the X gearfence. To remove it, loosen the bolt in the center of the block and pull the block away from the gearfence. See illustration below for clamp location. For packing a Model 32, reverse the above procedure.

To connect the system together, see section 3.3.



1. GENERAL

1.1 DESCRIPTION

The Model 32 Digital Flatbed Plotter provides continuous line or print plotting of curves and data. It also provides full alphanumeric labeling of plots. Circle charts, bar graphs, subdivisional plans and highway plans may be plotted. The Model 32 uses any kind of paper, including linen, vellum, and mylar, and has the option of using fiber tip, ball point, or drafting pens.

1.2 PLOTTING TABLE AND SURFACE

The plotting table measures 37 1/2" x 54"; the actual plotting surface is 31" x 42". Smaller plots may be positioned anywhere within the plotting surface boundaries.

1.3 SOFTWARE

Alphanumeric character generation is not built into the Model 32, but is provided by software. This requires a 4000 byte memory (minimum). For this reason the Model 32 is usually used in a system which contains an external memory drive.

1.4 FORMAT

Format and content of the alphanumeric labeling of plots is calculated and controlled by a Wang calculator.

1.5 SPECIFICATIONS

1) Paper Capacity:	53 1/2" x 36" (135.89 cm x 91.44 cm)
2) Plotting Area:	31" x 42" (78.74 cm x 106.68 cm)
3) Plotting Speed:	60"/Min. Avg.
4) Accuracy:	.01" (.025 cm) + .1%
5) Repeatability:	.010" (.0254 cm)
6) Plotting Increment:	.0025" (.0064 cm)
7) Operating Environment:	50°F to 90°F (10°C to 32.2°C)
8) Relative Humidity:	40% to 60%
9) Voltage:	115VAC \pm 10%
10) Frequency:	60 HZ \pm 1/2 HZ

2. COMPONENTS

2.1 ELECTRONICS PORTION

The electronic package (See Figure 1) contains the logic to drive the stepping motors of the plotting arm. PC boards contained in this package are as follows:

- 1) L565 - Contains the power supply regulator and stepping motor drive circuitry.
- 2) 6289 - Contains the stepping motor drive decoder circuit and the reset circuit.
- 3) 6336 - Insures that whatever differential distance is to be traveled by X and Y, the stepping motors will be incremented at the proper moment to create the proper angles.
- 4) 6337 - Contains direction decoding circuit, the pen up/down solenoid driver circuit, and interfaces with calculator I/O circuits.

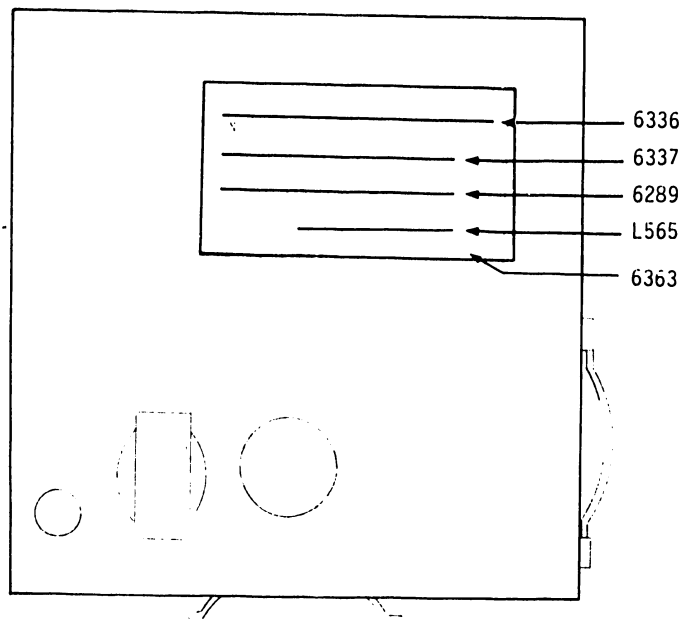


FIGURE 1
MODEL 32 ELECTRONIC PACKAGE

2.2 MECHANICAL PORTION

The mechanical portion of the Model 32 consists of a plotting table and an Y arm. The Y arm moves horizontally on the plotting table while a carrier moves vertically on the Y arm. The carrier holds a pen and may be controlled to either contact the paper or to ride above it.

3. OPERATING CONFIGURATION

3.1 CALCULATOR CONNECTION

The top half of Figure 2 illustrates how the Model 32 is connected to the calculator. The Model 32 utilizes the typewriter jack on the calculator, as do other Wang plotting devices.

3.2 SYSTEM CONFIGURATION

The lower half of Figure 2 illustrates how the Model 32 is connected into a system. Other peripherals may be T'd with the Model 32; some of these devices utilize the same or similar codes and will perform unnecessary functions during the operation of the Model 32.

The 01 typewriter is one device that can be connected to the Model 32 via a T connector. In this case, when the plotter is issued a pen up or pen down command, the Model 01 will respond with a shift up or a shift down function. The Model 01 typewriter and other devices should be kept on while the Model 32 is in use, since they hold calculator output lines at +0V when shut off.

3.3 TO CONNECT A MODEL 32 SYSTEM

- 1) Connect the Model 32 typewriter cable to the typewriter jack of the calculator.
- 2) Connect the remaining cable coming from the Model 32 package to the arm of the plotting table. This cable is connected to a jack located on the bottom of the plotter, directly beneath the X-Y stepping motors. See Figure 3.

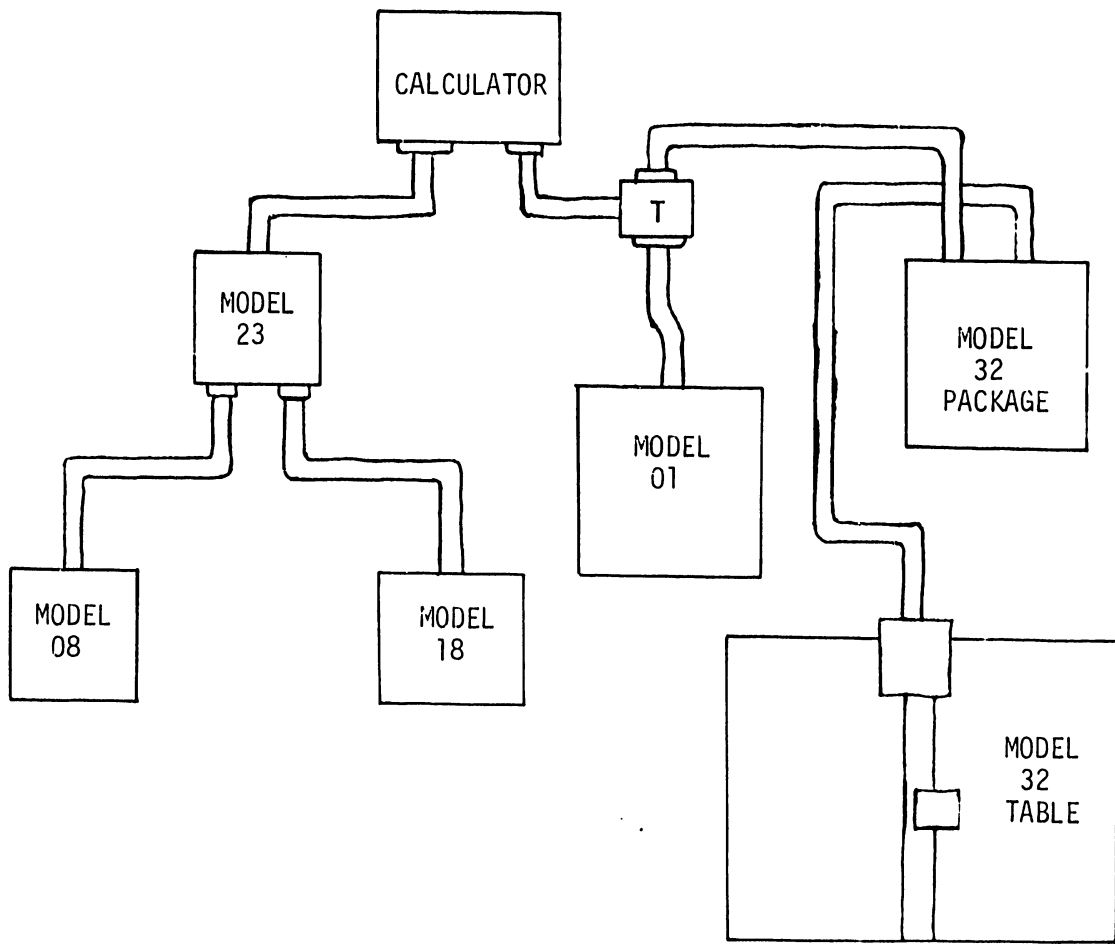
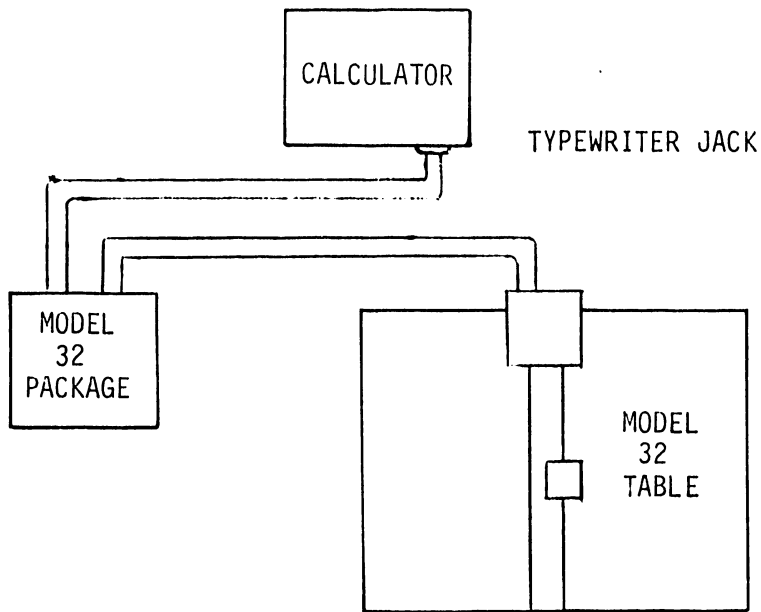


FIGURE 2
SYSTEM CONFIGURATIONS

CABLE ATTACHES
TO CONNECTOR
ON THE BOTTOM
OF THE MOTOR
CASTING

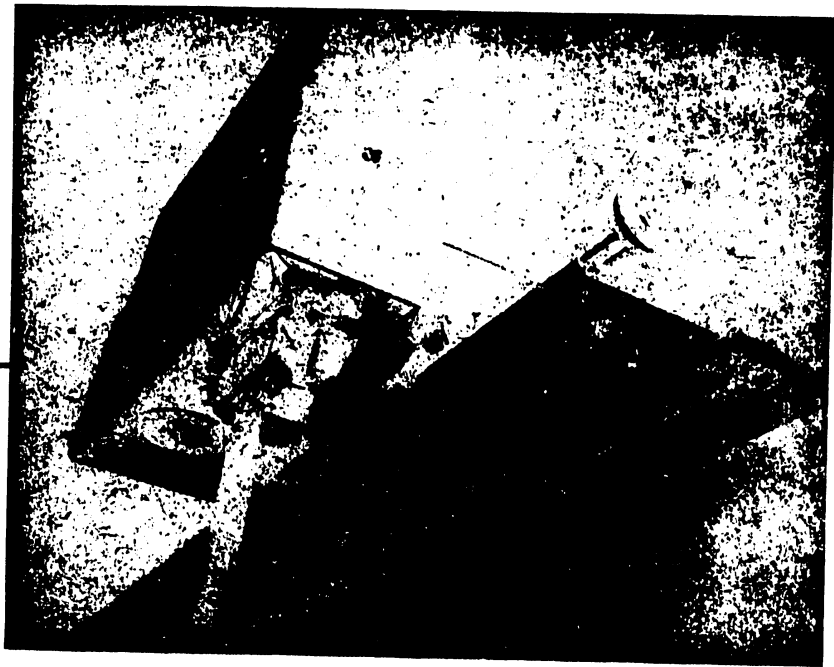


FIGURE 3
CONNECTING PACKAGE CABLE TO PLOTTING TABLE

4. OPERATION

NOTE:

The following operations apply only to a Model 600 or a Model 700/720 B, C calculator in a system incorporating the Model 32.

4.1 PLOTTING LOCATION

Plot location in the 632 is determined by the contents of registers 01 and 00. Plot location in the 732 is determined by the contents of the X and Y display registers.

On command, each integer (0-999) contained in these registers will cause a plotting increment of .0025 inches. The sign of each register will determine the direction of the plot. See Figure 4.

AXIS	600	700
X	Register 01	X Register
Y	Register 00	Y Register

4.2 PROGRAMMING

The following commands must be preceded by *ALPHA* in the 600 or *WRITE ALPHA* in the 700 and proceeded by *O202* in the 600 or *END ALPHA* in the 700.

<u>600</u>	<u>700</u>	<u>OPERATION</u>
0502	0902	Plot - Pen DOWN: Lowers pen if not already down, and causes a movement of .0025" per integer contained in registers 01 and 00 of the 600 or the X and Y registers of the 700. The maximum number of increments that can be made at one time is 999. If a larger value is entered into one of these registers, an error will occur. Decimal values are ignored.
0503	0903	Plot - Pen UP: Raises pen if not already raised and moves the pen using the same procedure as plot - pen down (0502-0902).
0511	0911	RESET: Raises pen if not already raised and returns it to home position (bottom left corner of plotting table).

4.3 PLOT PEN DOWN - EXAMPLES

<p>NOTE: For each of the following examples, new zero reference X, Y axes are assumed.</p>
--

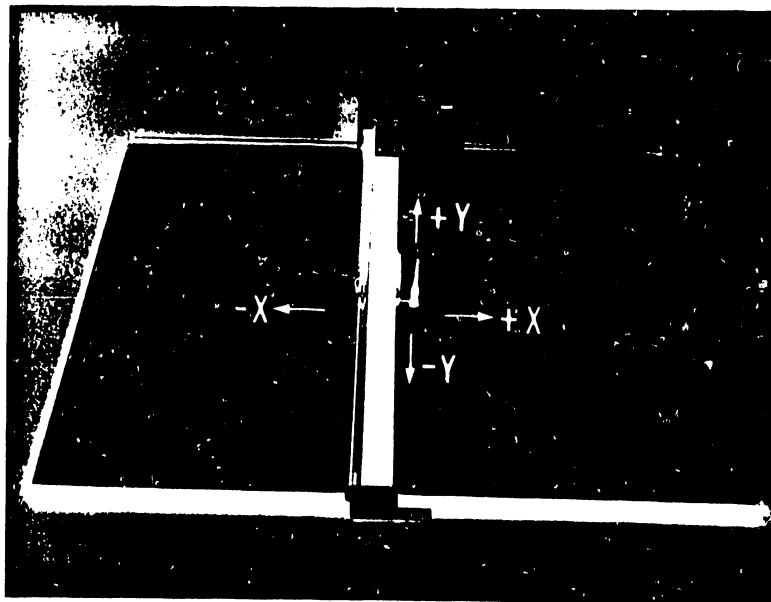
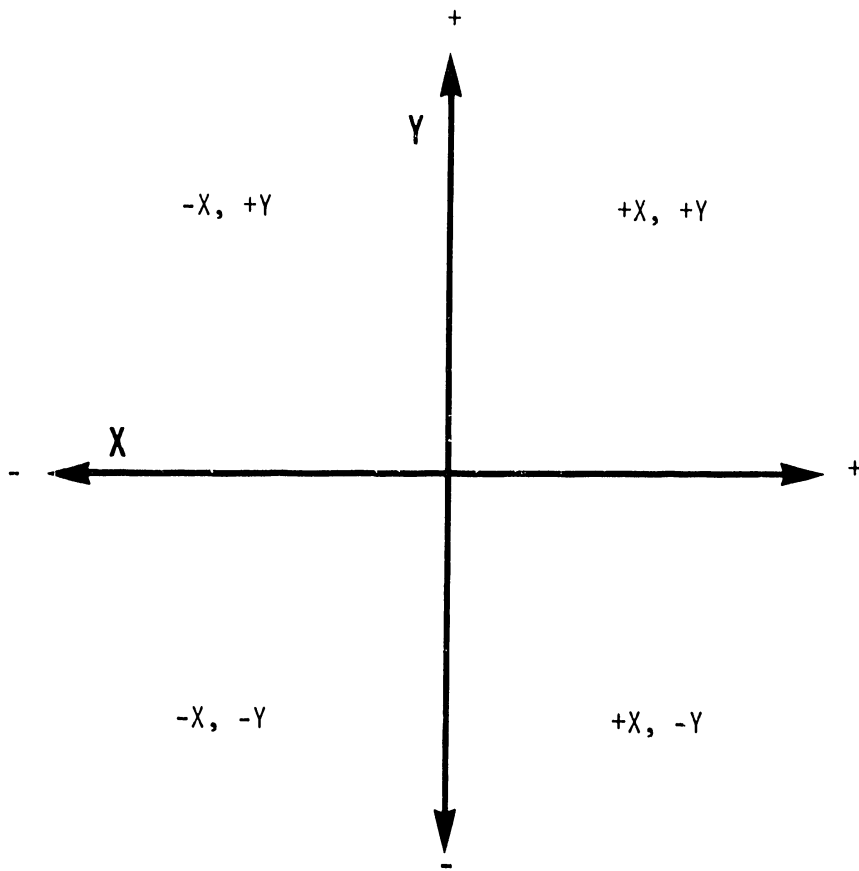


FIGURE 4
PLOTING DIRECTION

- 1) To plot a 45° incline approximately 1/3" long, (+X, +Y), use the following procedure:

<u>600</u>		<u>700</u>
Register 01 contains +100		X register contains +100
Register 00 contains +100		Y register contains +100

Keying Instructions

<u>600</u>		<u>700</u>	
ALPHA	0902	WRITE ALPHA	0412
PLOT-PEN DOWN	0502	PLOT-PEN DOWN	0902
END ALPHA	0202	END ALPHA	0413

The pen will increment +100 in both the X and Y axes. See Figure 5.

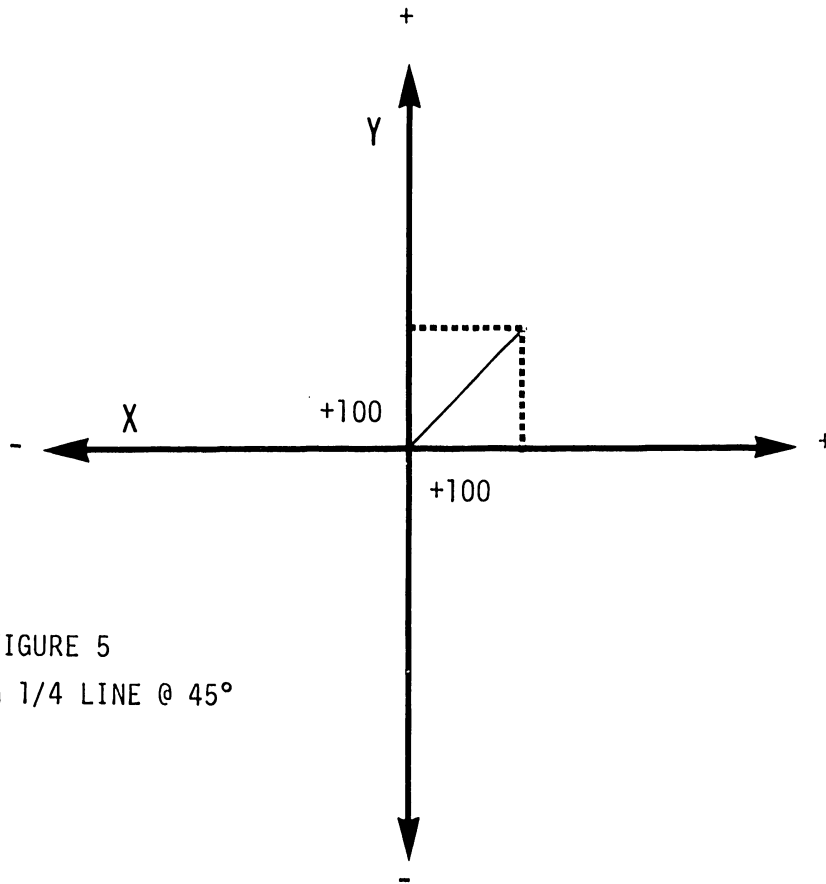


FIGURE 5
PLOTTING 1/4 LINE @ 45°

- 2) Assuming new zero reference axes, if the plot-pen down command is given twice, Figure 6 will result.

Keying Instructions

	<u>600</u>		<u>700</u>	
ALPHA		0902	WRITE ALPHA	0412
PLOT-PEN DOWN		0502	PLOT-PEN DOWN	0902
PLOT-PEN DOWN		0502	PLOT-PEN DOWN	0902
END ALPHA		0202	END ALPHA	0413

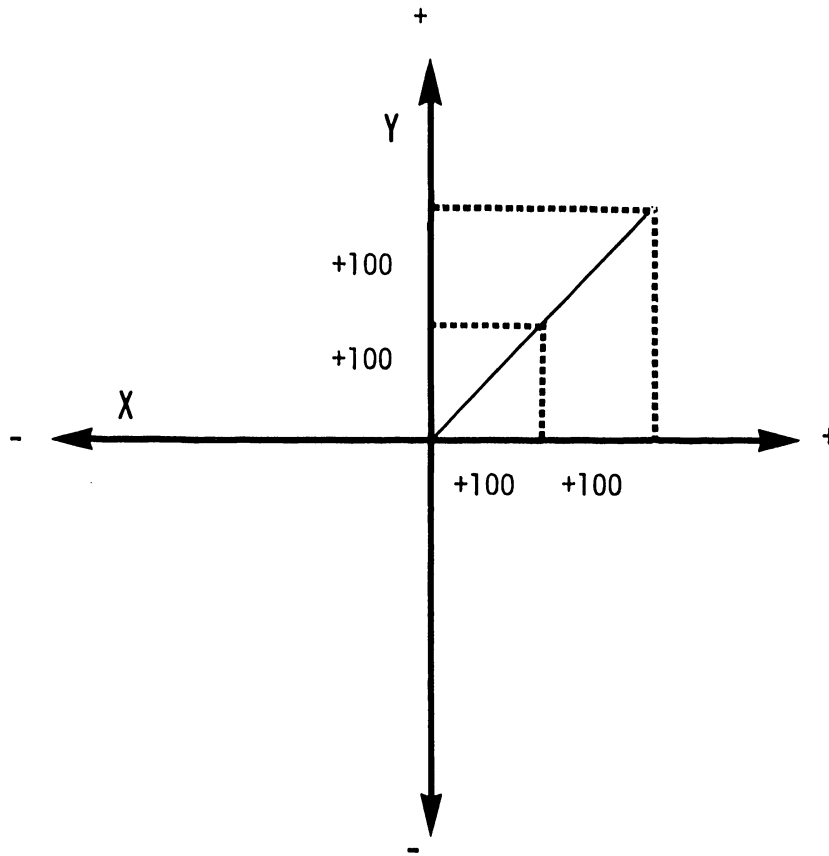


FIGURE 6
REPETITIVE KEYING OF PLOT COMMAND

3) To plot in +X, -Y direction, use the following procedure:

<u>600</u>		<u>700</u>
Register 01 contains +300		X register contains +300
Register 00 contains -100		Y register contains -100

Keying Instructions

<u>600</u>		<u>700</u>	
ALPHA	0902	WRITE ALPHA	0412
PLOT-PEN DOWN	0502	PLOT-PEN DOWN	0902
END ALPHA	0202	END ALPHA	0413

The pen will simultaneously increment +300 in the X axis and -100 in the Y axis. See Figure 7.

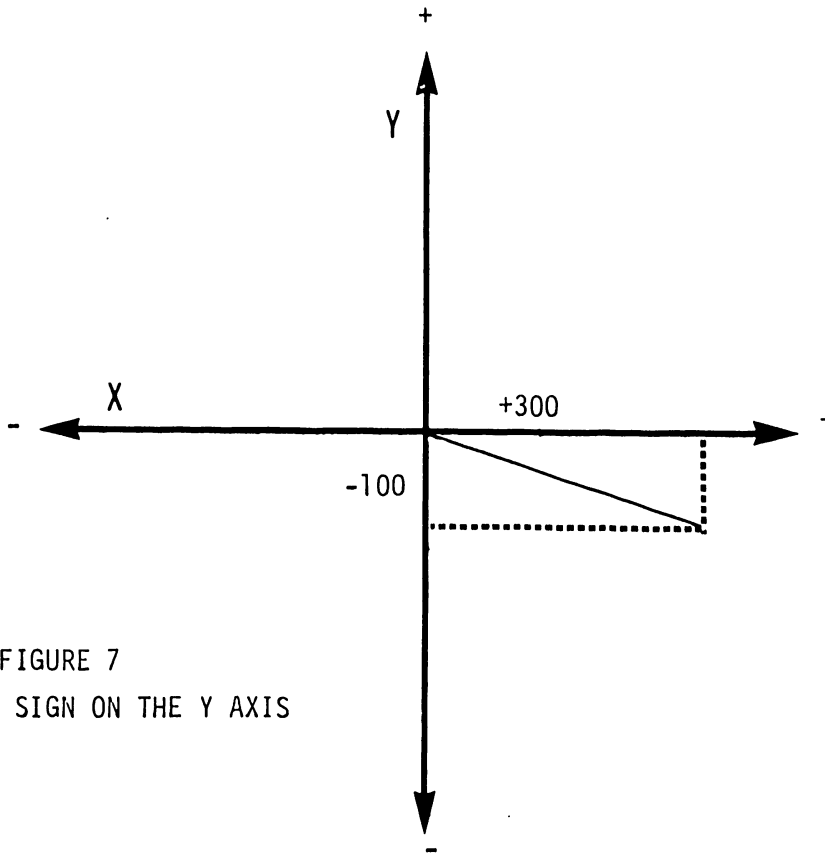


FIGURE 7
A NEGATIVE SIGN ON THE Y AXIS

- 4) In the following example the direction of plot is changed for the second line of the plot. See Figure 8.

<u>600</u>		<u>700</u>
Register 01 contains -100		X register contains -100
Register 00 contains +200		Y register contains +200

Keying Instructions

<u>600</u>		<u>700</u>	
ALPHA	0902	WRITE ALPHA	0412
PLOT-PEN DOWN	0502	PLOT-PEN DOWN	0902
END ALPHA	0202	END ALPHA	0413

CHANGE REGISTER VALUES

CHANGE REGISTER VALUES

Register 01 contains -50		X register contains -50
Register 00 contains -100		Y register contains -100

Keying Instructions

<u>600</u>		<u>700</u>	
ALPHA	0902	WRITE ALPHA	0412
PLOT-PEN DOWN	0502	PLOT-PEN DOWN	0902
END ALPHA	0202	END ALPHA	0413

4.4 PLOT-PEN UP PROCEDURE

To plot with the pen up, the same procedures as in Section 4.3 are followed except 0503 is substituted for 0502 (600) and 0903 is substituted for 0902 (700).

4.5 HOME POSITION

The home position on the Model 32 is located in the bottom left corner of the plotting table. This point is usually used as a reference point so that a known starting point may be obtained at any time. See Figure 9.

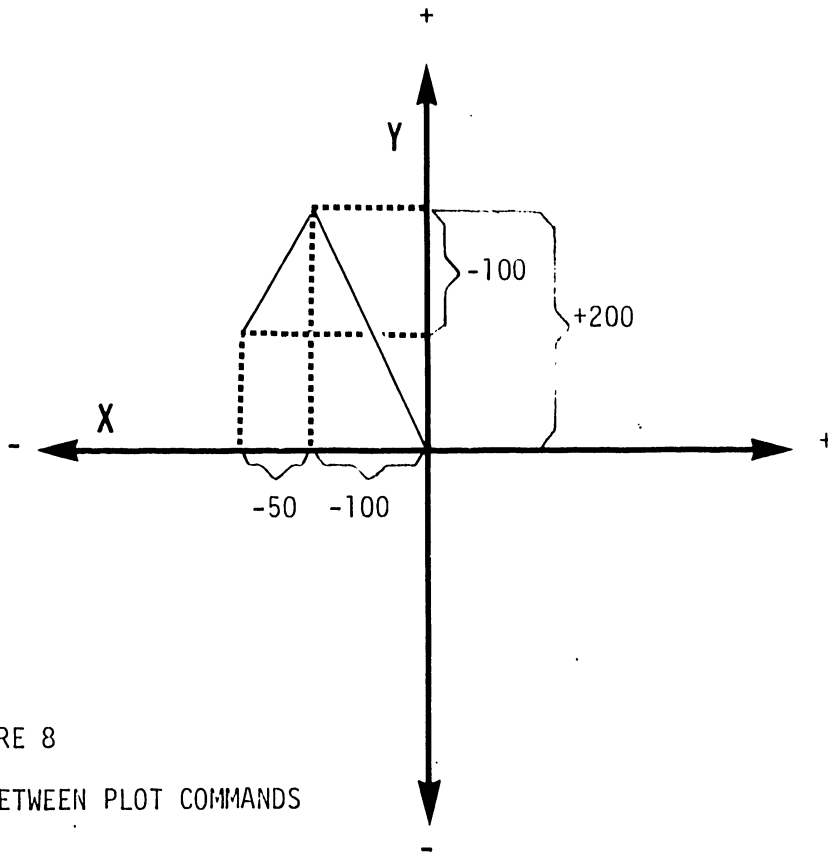


FIGURE 8
 CHANGING DIRECTION BETWEEN PLOT COMMANDS

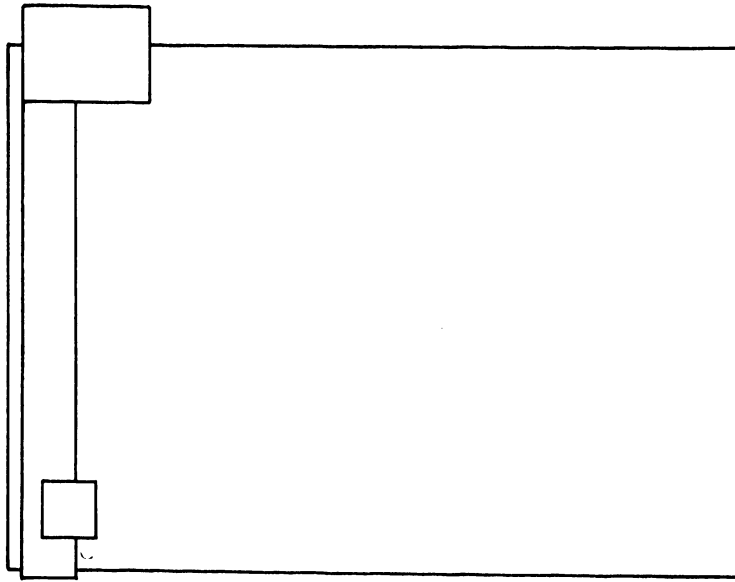


FIGURE 9
 PLOTTER IN HOME POSITION

IN SECTIONS 5.3 - 5.5 PARTS OF THE CARRIER MECHANISM WILL BE DISCUSSED.
FIGURE 10 HAS BEEN PROVIDED TO HELP LOCATE THESE PARTS.

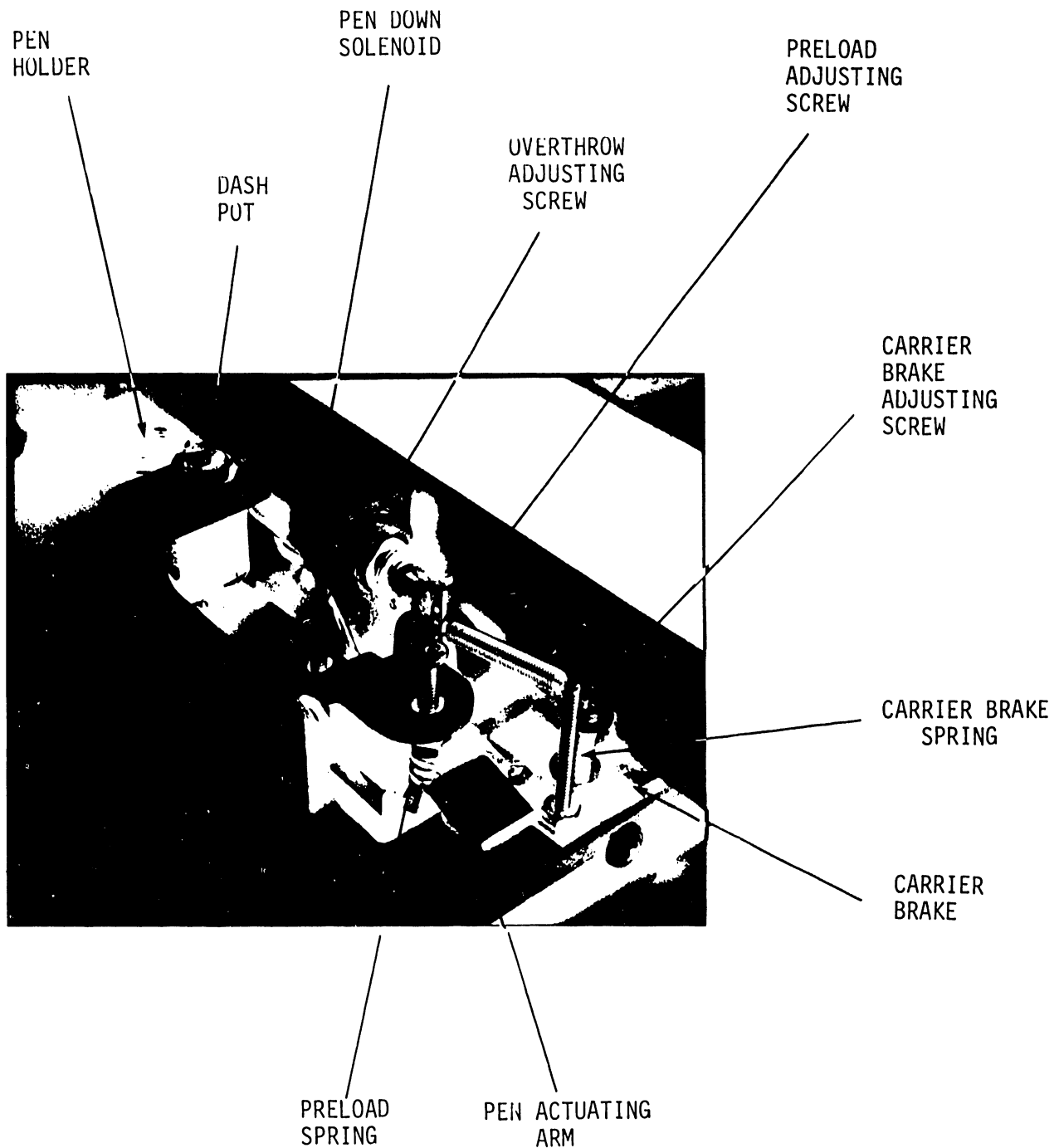


FIGURE 10
CARRIER MECHANISM

5. MECHANICAL ADJUSTMENTS

NOTE:

Figure 10 is provided for a reference for Sections 5.3 through 5.5.

5.1 ADJUSTMENT TOOLS

- 1) 1 lb x 1/4 oz Push-Pull Scale, Chatillon Mfg. #516-500
- 2) 5 lb x 1 oz Push-Pull Scale, Chatillon Mfg. #719-5
- 3) 6" Scale
- 4) 31" Scale
- 5) 45° Triangle, Pickett Mfg. # Q10-30SC-12
- 6) Extension Block 6" Gearfence
- 7) Allen Wrench Set
- 8) Feeler Gauges
- 9) Oscilloscope - carry on call

5.2 ADJUSTMENT TAPE - AVAILABLE FOR 720 ONLY AT THIS TIME (DECEMBER, 1973)

- 1) Diagnostic Tape, Verify #8560
- 2) Dash Pot/Increment Accuracy/90° Accuracy Test Program, Verify #8560

5.3 PEN SOLENOID ADJUSTMENT

With the pen solenoid de-energized (at rest), there should be a gap of .093" \pm .015" between the solenoid and plunger stopper. To adjust gap, move the solenoid bracket by loosening the two adjusting bolts. See Figure 11.

5.4 PLUNGER OVERTRAVEL

- 1) Place the pen carrier assembly in the home position. See Figure 9.
- 2) With the pen manually depressed to just contact the table top there should be a .030" \pm .010" gap. See Figure 12.

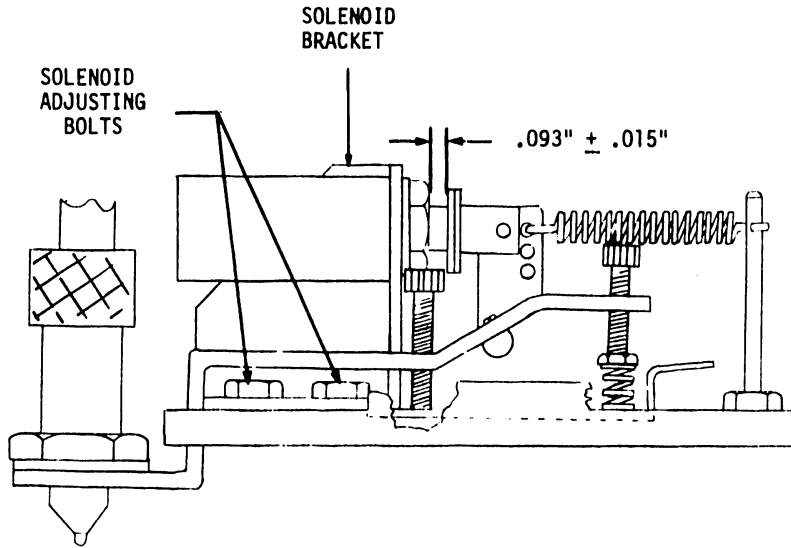


FIGURE 11
PEN SOLENOID ADJUSTMENT

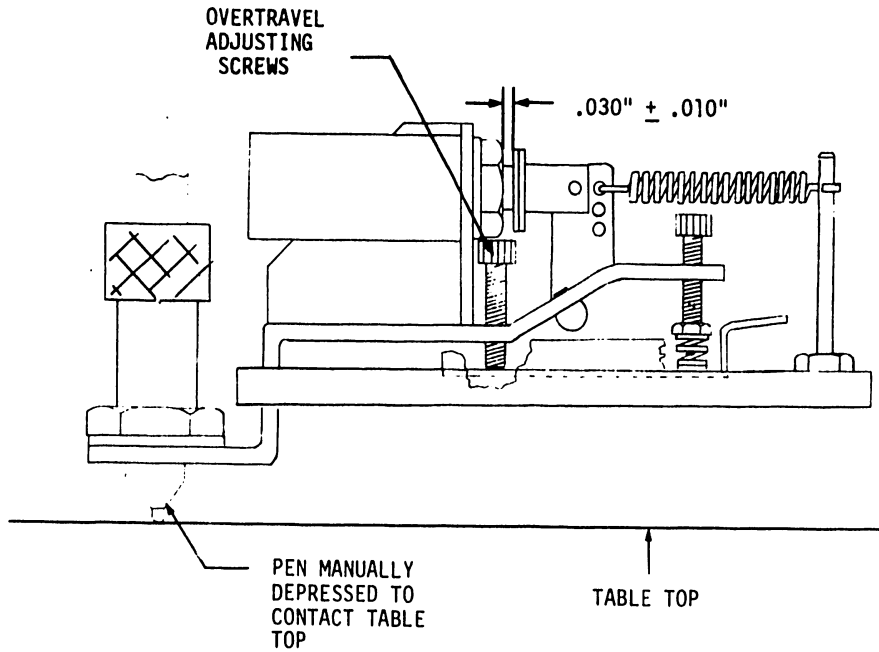


FIGURE 12
PLUNGER OVERTRAVEL ADJUSTMENT

- 3) Energize the pen solenoid (α , 0502 - 600; WRITE ALPHA, 0902 - 700) there should be a gap between the overtravel adjusting screw and the pen actuating arm. See Figure 13.

If there is no gap, return to Step 2 and readjust overtravel to .040 inches, instead of .030 inches.

- 4) Move the pen carrier to the top edge of the plotting table and energize the solenoid (α , 0502 - 600; WRITE ALPHA, 0902 - 700). At this location there should also be a gap between the overtravel adjusting screw and the pen actuating arm.

If there is a gap with the pen carrier in the home position (Step 3) and there is no gap with the pen carrier moved to the top of the table (Step 4), the Y arm is not parallel with the table top. Adjust the Y arm to make it parallel; (See 5.8 and return to 5.4, #1.).

NOTE:

Maintaining proper overtravel will insure that valleys in the table top will not prevent writing. The gap between the overtravel adjusting screw and the pen actuator arm, allows the pen to float. As the pen falls into a valley, the preload spring compensates for the drop, forcing the pen down.

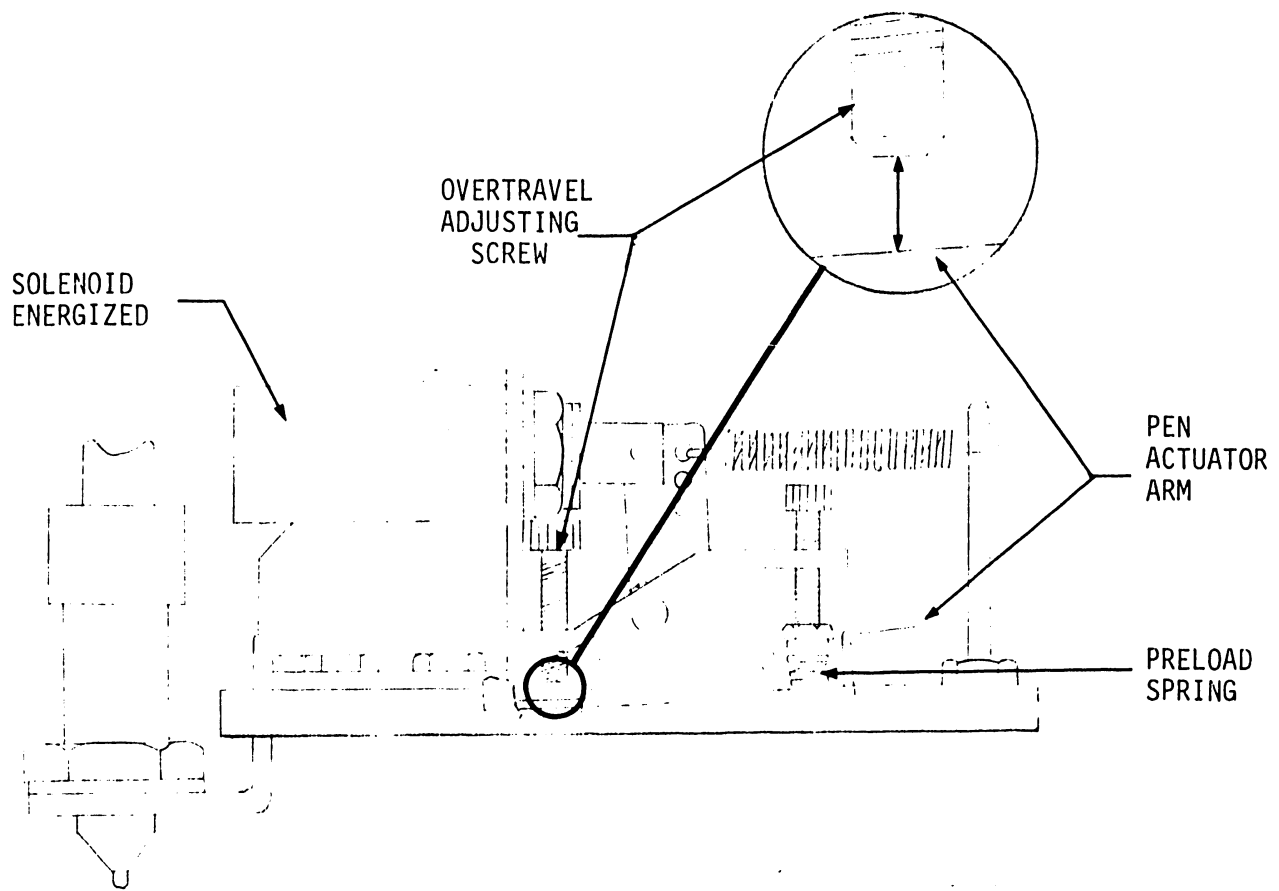


FIGURE 13
 ENSURE GAP BETWEEN OVERTRAVEL
 SCREW AND ACTUATOR ARM EXISTS

5.5 PRELOAD SPRING TENSION

With the pen solenoid energized, attach a push-pull scale under the pen holder; raise the scale until the pen leaves the table top. At this point the scale should read 5 to 5.5 oz. If adjustment is necessary, do so with the preload adjusting screw. See Figure 14.

NOTE:
 Maintain a reading on the low end of the tolerance if possible. This reduces the possibility of ripping paper with a drafting pen.

WHEN THE PEN LEAVES
THE TABLE THE SCALE
SHOULD READ 5-5 1/2 OZ.

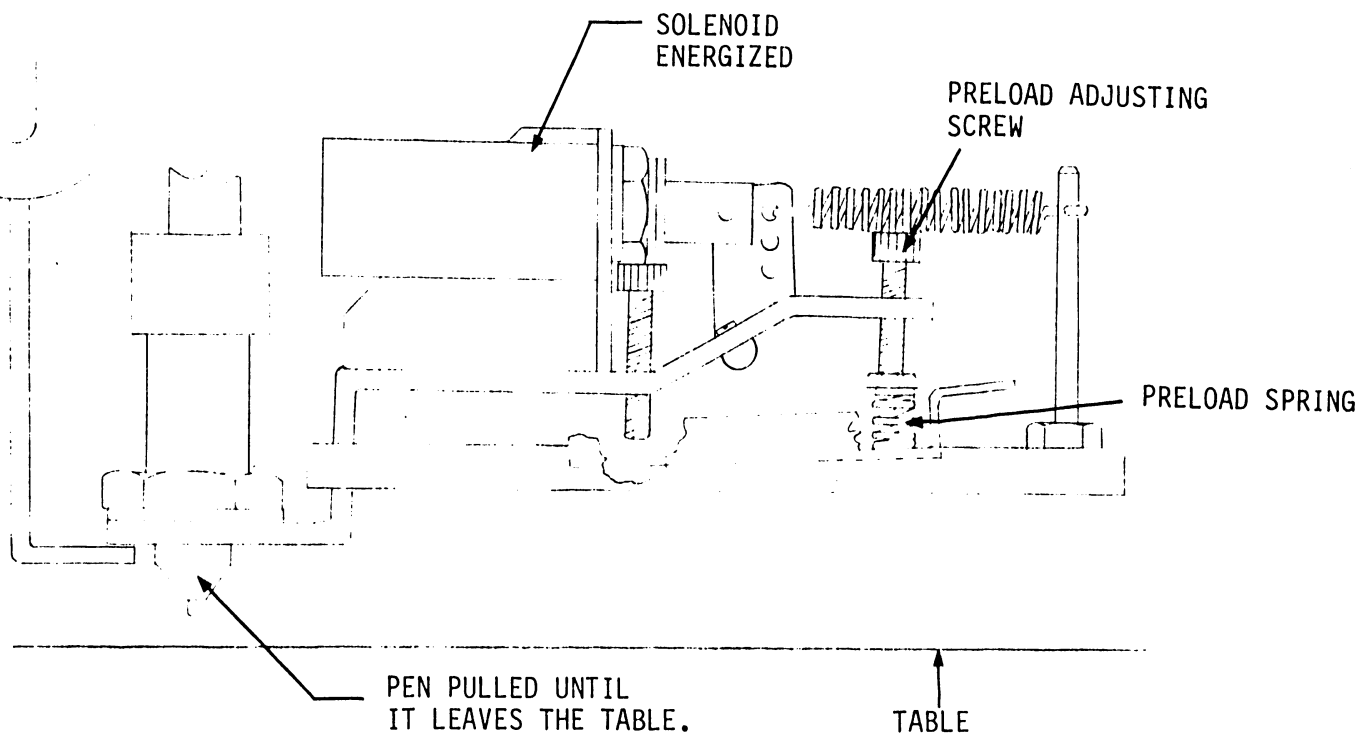


FIGURE 14
PRELOAD SPRING ADJUSTMENT

5.6 DASH POT

- 1) Use a felt tip or ball point pen for this adjustment. A Mars pen will rip the paper. Load dash pot test into calculator and begin the program (see paragraph 8.6).
- 2) The dash pot screw should be turned clockwise until a broken line is generated by the program. Slowly turn the screw counterclockwise until the line becomes solid again. See Figure 15.

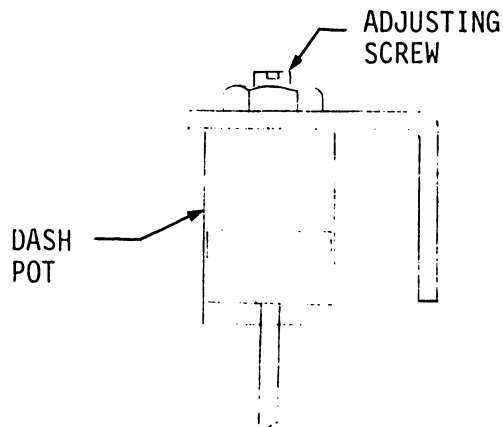


FIGURE 15
DASH POT ADJUSTMENT

5.7 CARRIER BRAKE ADJUSTMENT

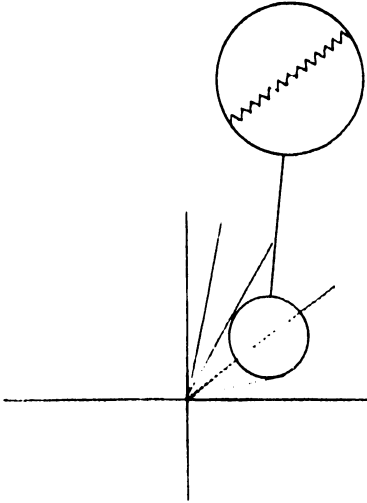
Run the radius program of the Model 32 (see paragraph 8.2); adjust the screw until there is no noticeable line oscillation or line separation. A slight line expansion is acceptable. See Figure 16.

NOTE:

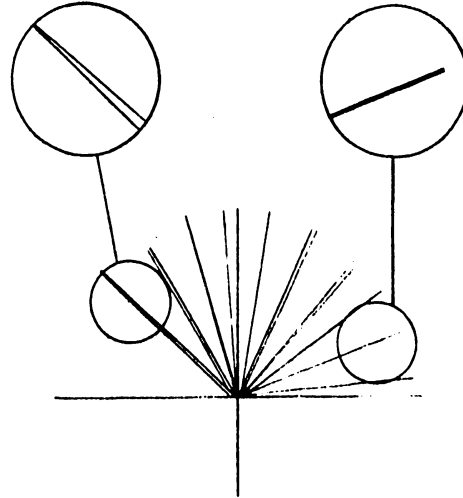
A tolerable line oscillation of several thousandths of an inch will be present on most Model 32 plotters. The oscillation is more apparent at 7°, 83°, 97°, 173°, 187°, 263°, 277°, and 353°.

The carrier brake is not always the cause of line separation or line oscillation. For other suggestions, see section 9, X shaft lubrication.

LINE OSCILLATION
NOT ACCEPTABLE



LINE SEPARATION
NOT ACCEPTABLE



LINE EXPANSION
ACCEPTABLE

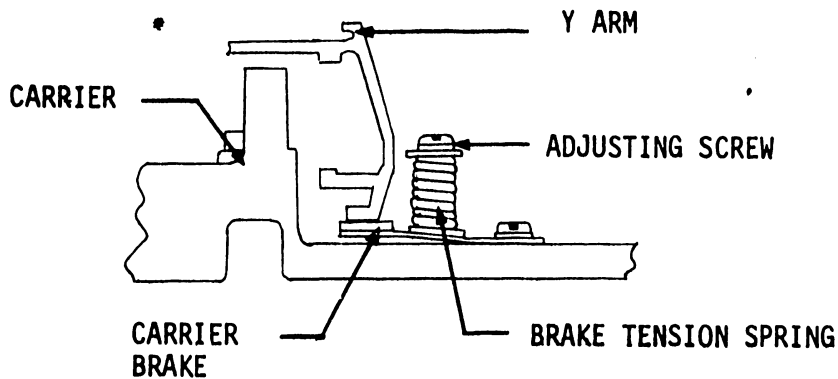
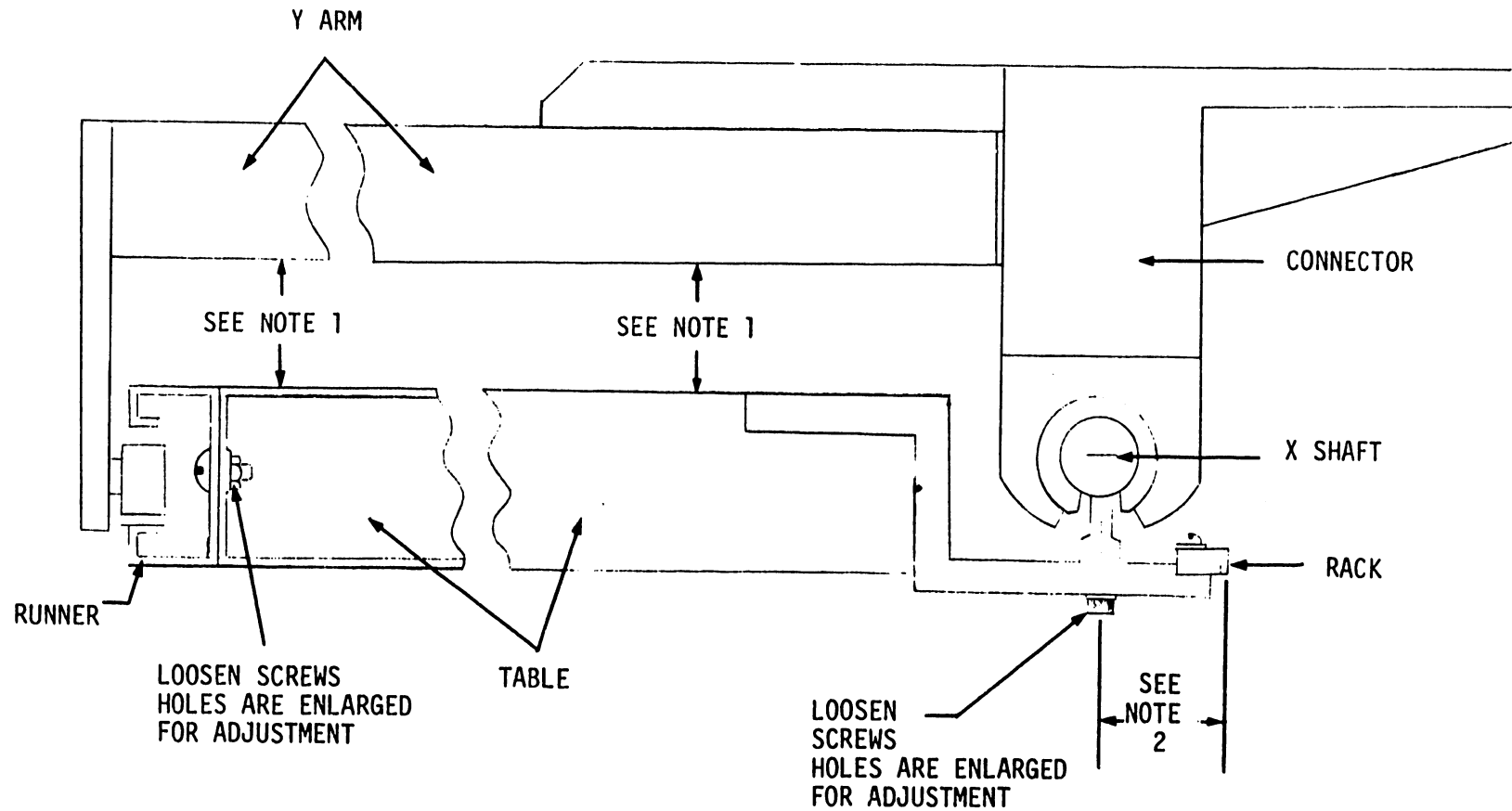


FIGURE 16
CARRIER BRAKE ADJUSTMENT

5.8 LEVELING Y ARM

- 1) The distance from the bottom of the Y arm to the table surface should be uniform throughout the table, within 1/16".
- 2) Take a reading with a 6" scale at the bottom edge and at the top edge of the table. If adjustment is necessary, loosen all screws inside the runner and raise or lower the runner to correct the difference. See Figure 17.

NOTE 1

THE DISTANCE FROM THE BOTTOM OF THE Y ARM TO THE TABLE SURFACE SHOULD BE UNIFORM FROM THE BOTTOM OF THE TABLE TO THE TOP WITHIN 1/16".

NOTE 2

X SHAFT TO BE PARALLEL TO RACK WITHIN .002" OVER 10" AND .005" OVER ENTIRE RACK.

FIGURE 17
LEVELING Y ARM - SQUARING X SHAFT

5.9 SQUARING X SHAFT

- 1) The rack should be parallel to the edge of the X shaft over 10" to within .002" and a maximum of .005" over the entire length of the rack.
- 2) To adjust for this, loosen the 6 screws directly beneath the X shaft and move the shaft to the specified position. See Figure 17.

5.10 MAKING Y ARM PERPENDICULAR TO THE X SHAFT

- 1) The Y arm must be square to the X shaft within .010" over a 30" length. This is checked with a large triangle placed on a 90° plot as shown in Figure 18. The trial plot may be generated by subroutine 0014 on tape #8560.
- 2) To adjust the Y arm, loosen the lock bolts on the motor casting where it connects to the Y arm, and shift the adjusting block by loosening one jacking screw and tightening the other. See Figure 18.

5.11 X RACK ADJUSTMENT - EARLY MODELS

NOTE:

Late model X Racks contain press pins eliminating any adjustment.

When the Y arm pinion gear passes a joint of two racks, there should be no visible or audible jerk.

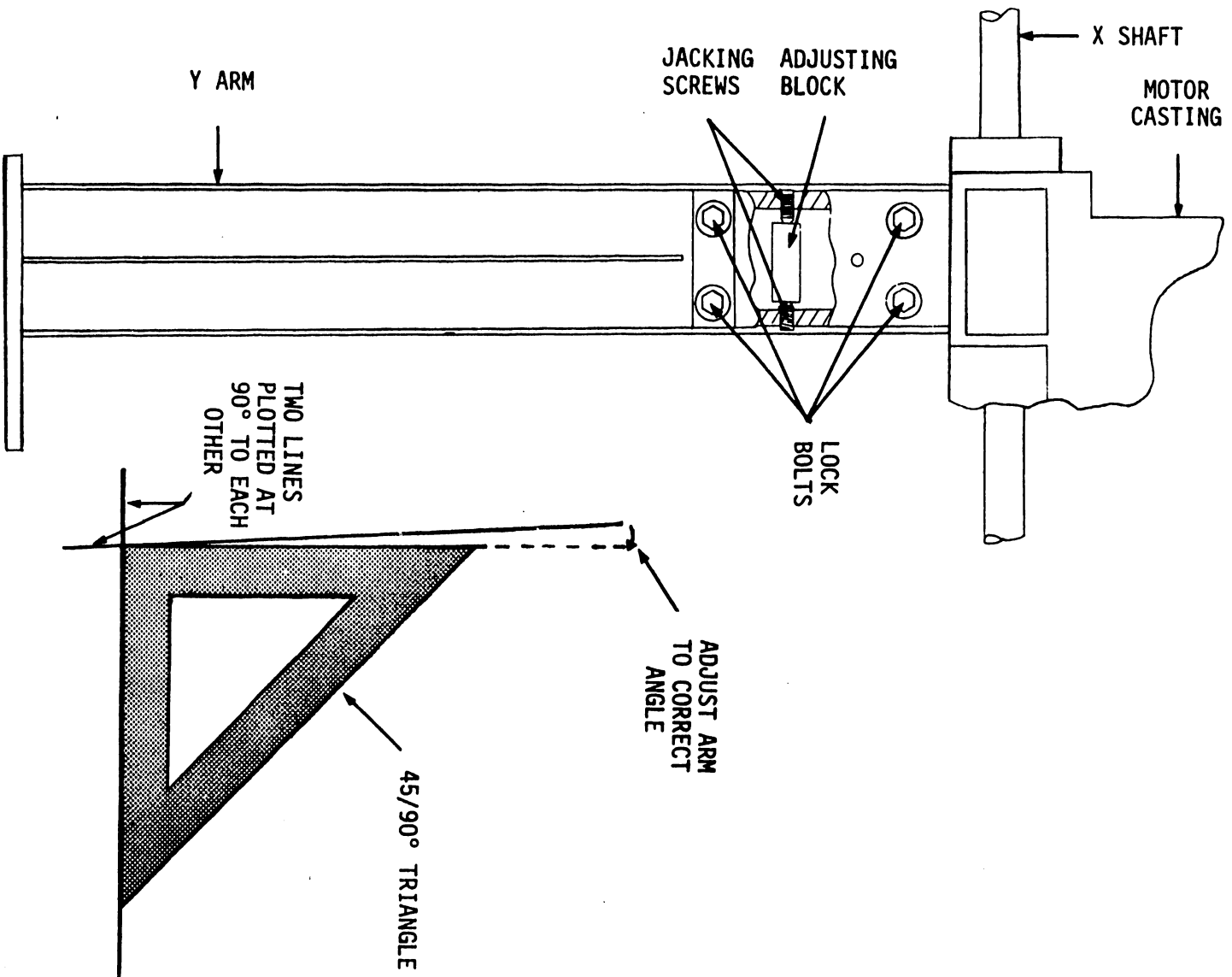


FIGURE 18
 MAKING Y ARM AND X SHAFT PERPENDICULAR

The three X gear racks must be aligned as follows:

- 1) Loosen the holding screws of two adjoining gear racks secured to the bed.
- 2) Seat an extension block into the teeth of the two adjoining racks to be aligned. See Figure 19.
- 3) Tighten the holding screws.
- 4) Loosen the holding screws in the third gear rack and repeat steps 2 and 3.

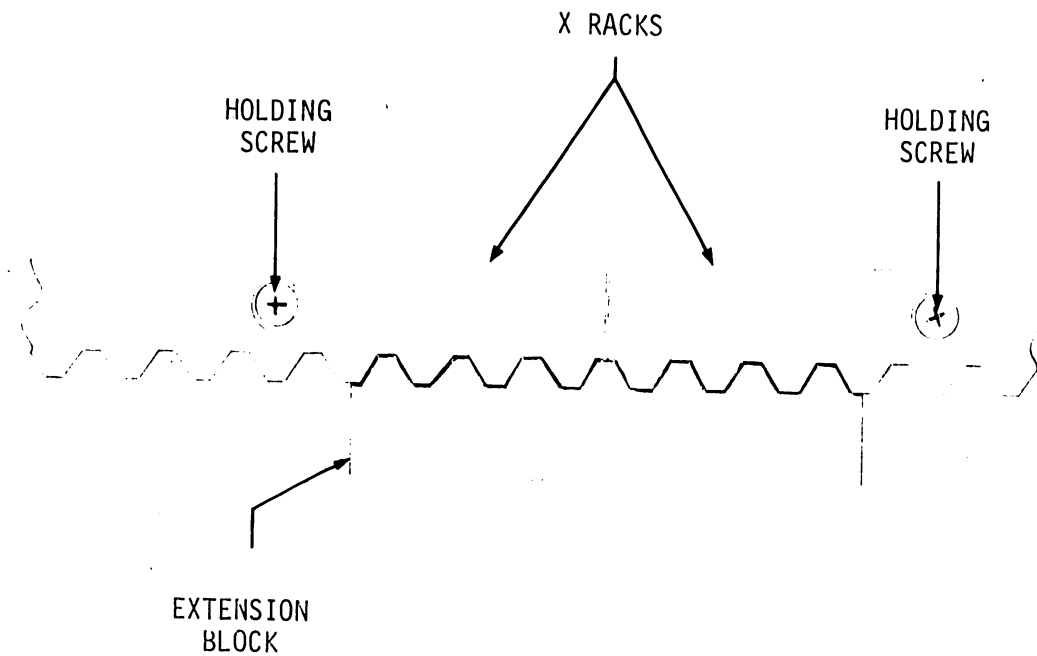


FIGURE 19
ALIGNMENT OF X RACKS

5.12 PINION LOADING ADJUSTMENT

- 1) When pulling on the pinion block with a spring scale, the block should begin moving at 4.5 lbs. \pm .25 lb. See Figure 20.
- 2) To adjust the load tension, loosen the two lock screws and attach a spring scale behind the pinion block. Pull the scale away from the table. As the block begins to move, take a reading on the scale. If adjustment is necessary, turn the adjusting screw in to increase the tension or out to decrease tension. When adjustment is completed, tighten the lock screws.

NOTE:

Some early Model 32s do not contain an adjusting screw. With these units, adjustment must be done by trial and error. Loosen the lock screws; move the tension bracket in the desired direction to achieve correct tension. While holding the bracket in that position, tighten the lock screws.

5.13 Y INCREMENT ADJUSTMENT

- 1) A line in the Y direction should be accurate in length over a 31" plot within .005". Check 31" accuracy by plotting in the Y direction 12400 increments and measuring that line. Use diagnostic in section 8.8.

NOTE:

Some subroutines have been incorporated in the diagnostics for the Model 32. See Section 8.

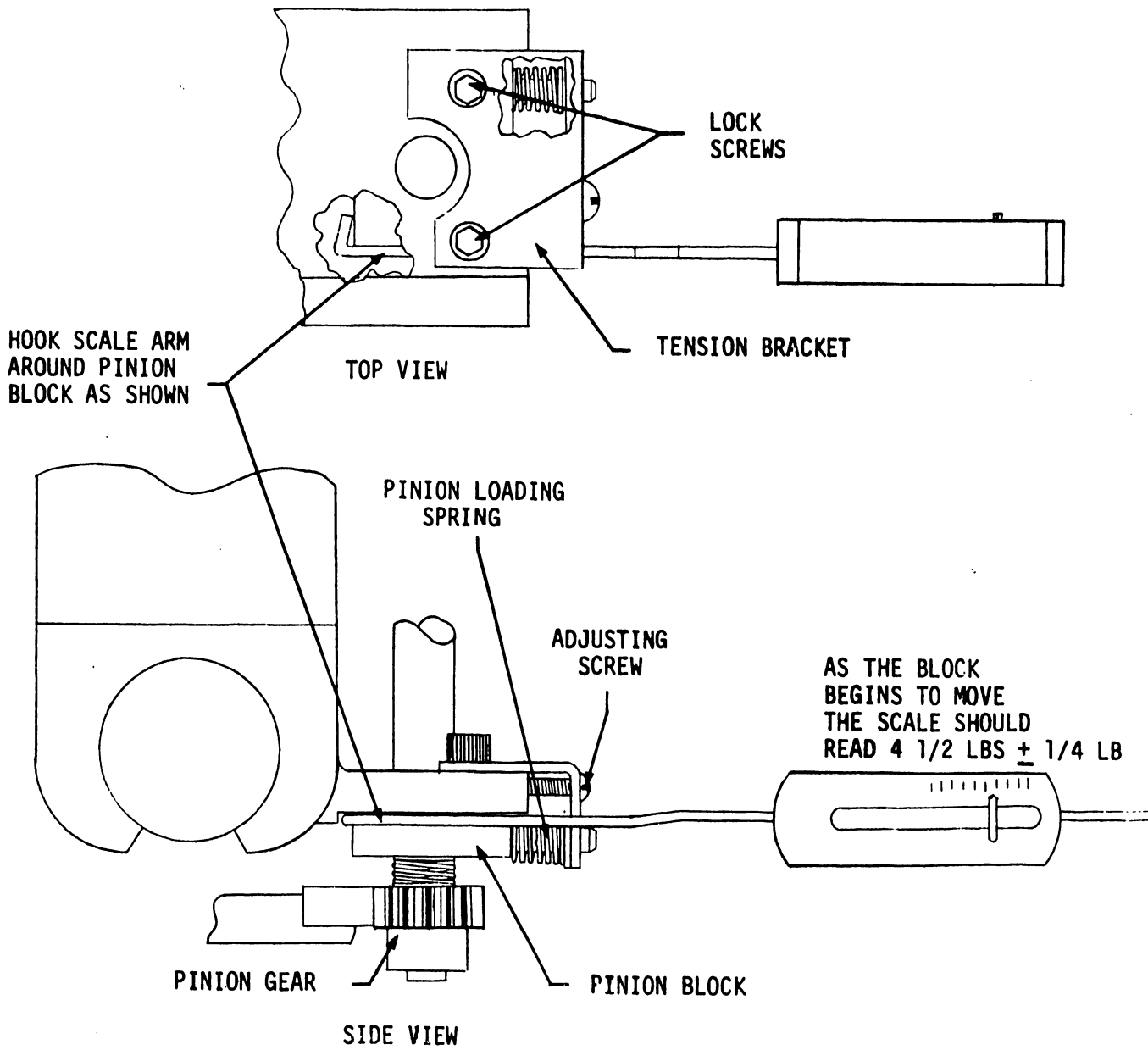


FIGURE 20
 PINION GEAR LOAD TENSION

- 2) Adjustment of the Y increment is done by varying the circumference of the cable drum (See Figures 21 and 22). Increasing the diameter of the drum will cause larger increments; decreasing the diameter will cause smaller increments. The following steps explain.

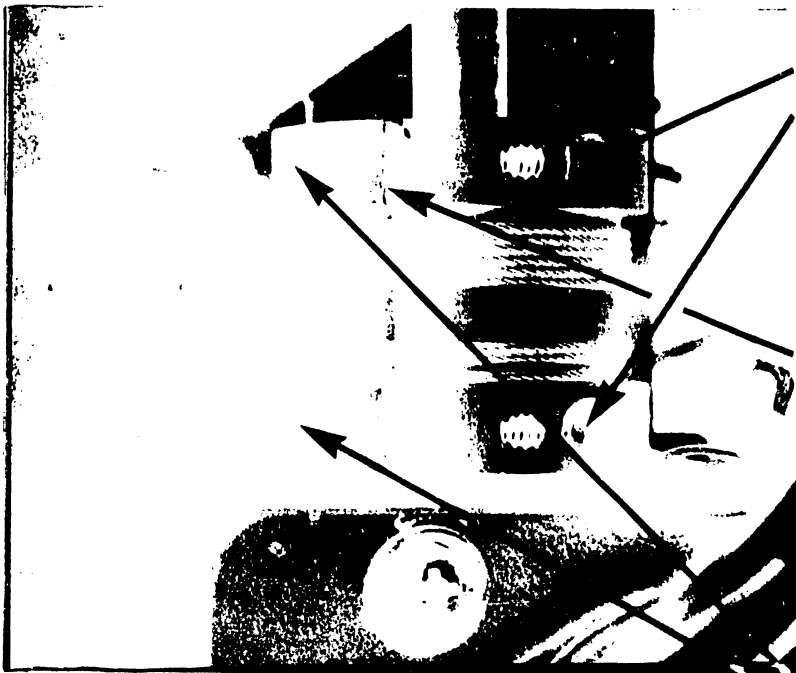
NOTE:

It is only necessary to perform Step (a) below when increasing the diameter of the drum.

To ensure uniformity when increasing or decreasing the diameter of the drum, adjust both sides equally.

- (a) In order to expand the drum, it is necessary to release the cable stress on the drum. To release this pressure, place the carrier somewhere in the middle of the Y arm (arm disconnected from table and laying upside down - SEE 5.18 FOR Y ARM REMOVAL) and loosen the cable tightening clamp underneath the carrier (See Figure 23). Loosen the coils of cable looped around the drum. Since expansion of the drum requires Y arm removal, it is suggested that when the drum is expanded, it is expanded more than necessary. The diameter can then be decreased until the correct diameter setting is reached, section 5.13 #2 (c).
- (b) To increase the diameter of the drum, remove the two lock screws shown in Figures 21 and 22, then turn the jacking screws clockwise to desired location. When jacking is completed, replace the locking screws.
- (c) To decrease the diameter of the drum, loosen the jacking screws slightly; *tighten* the locking screws until the desired diameter is met. Turn the jacking screws back in until they meet the opposite wall of the drum. This will prevent the drum diameter from decreasing more when the cable is retightened.
- (d) After adjustment is made, reverse the procedure in 5.13, #2 (a) to the cable, then see Section 5.14 to insure proper cable tension.

CORD DRUM
LOCATED UNDER
Y PULLEY



JACKING SCREWS

CUT OUT IN DRUM
ALLOWS EXPANSION
AND CONTRACTION
OF CORD DRUM

LOCKING SCREWS

FIGURE 21
CORD DRUM AND CORD DRUM LOCATION

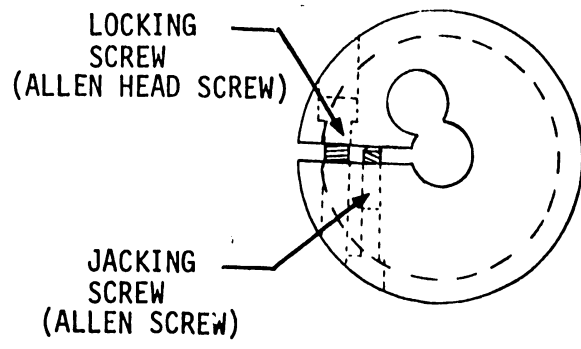


FIGURE 22
DRUM CROSS SECTION

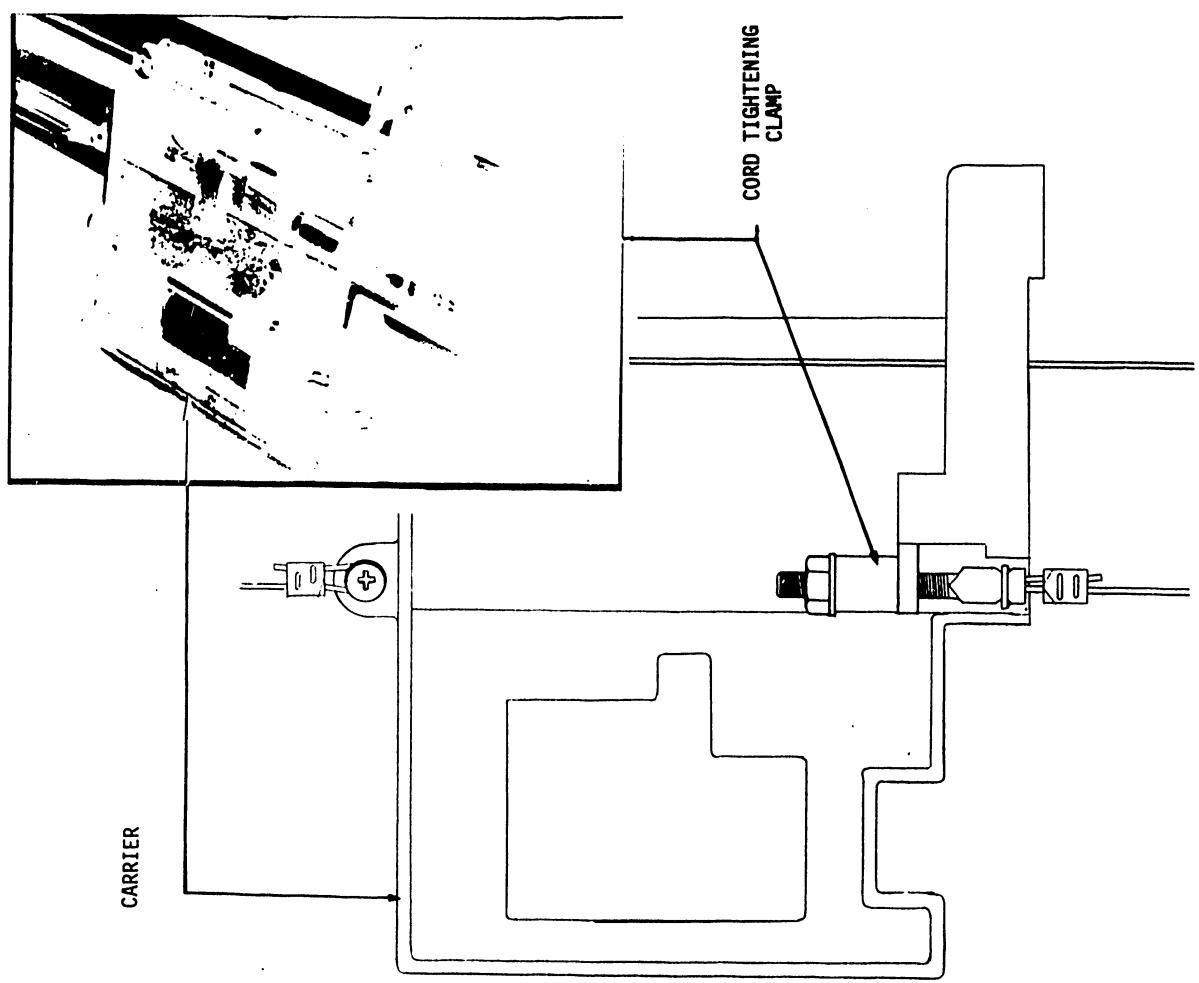


FIGURE 23
CORD TIGHTENING CLAMP LOCATION

5.14 CABLE TENSION ADJUSTMENT

- 1) With the carrier assembly in the center of the Y arm, using a spring scale, pull the cable away from the arm. When the cable is pulled a distance of 1" there should be a reading of 14 oz \pm 2 oz (See Figure 24).

- 2) The adjusting nut of the cable clamp may be turned in or out to fine adjust the tension. If the cable needs only fine adjust, use the cable clamp adjusting nut. If the cable is loose, the pulley should be moved to take up slack. Remove the C clip holding the pulley, remove the pulley, screw out the pulley shaft, and move pulley and shaft to a different hole for better tension.

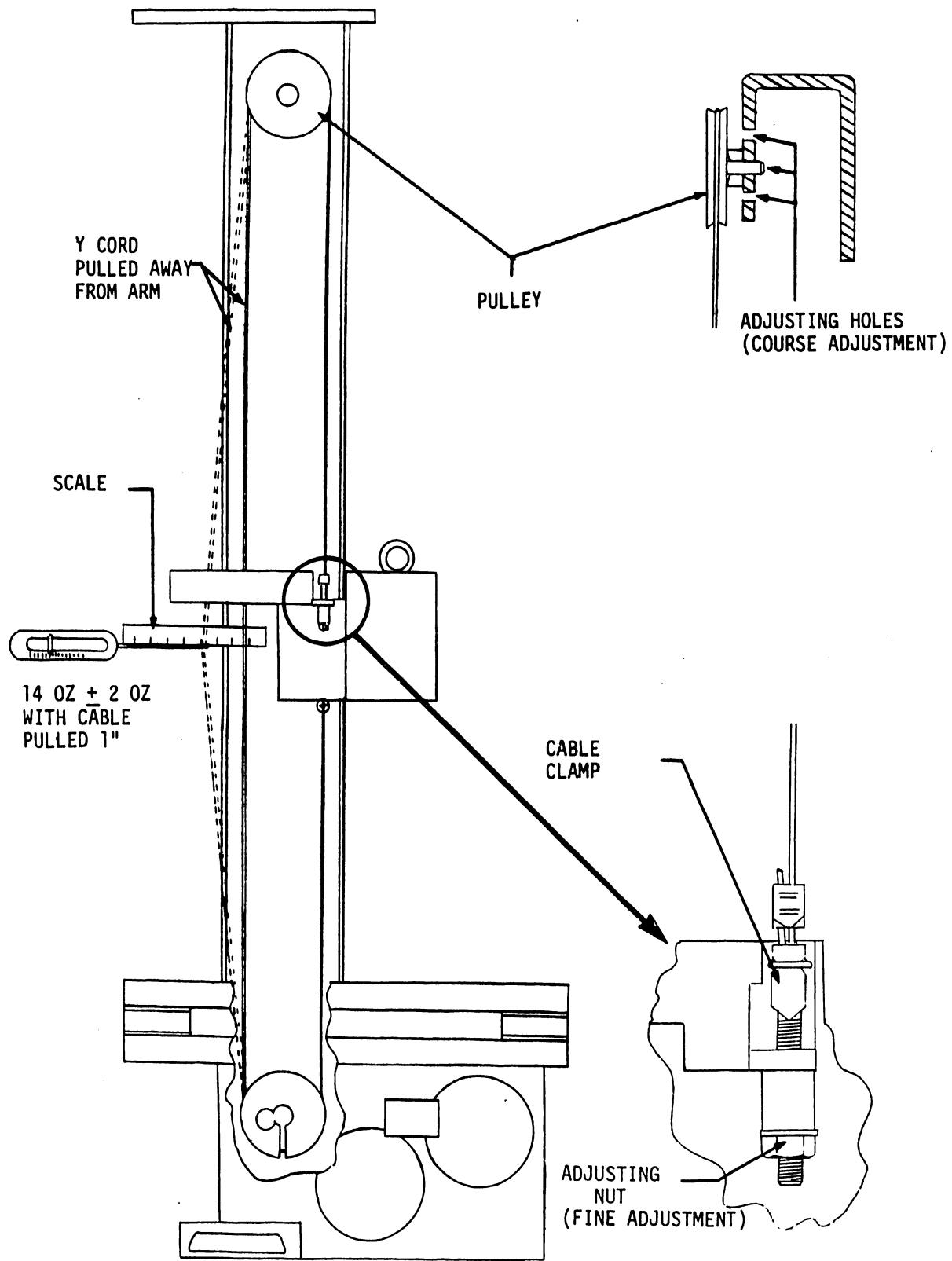


FIGURE 24
CABLE TENSION ADJUSTMENTS

5.15 PHOTOCELL ALIGNMENT

- 1) With the photo actuator pin engaged within the LED/photocell package there should be a clearance of $.110" \pm .015"$ from the tip of the actuator pin to the inside edge of the photocell package (See Figure 25).
- 2) If adjustment is required, position the actuator pin so that it is inside the photocell package. Loosen the two locking screws holding the photocell package bracket and move the bracket to the desired location.

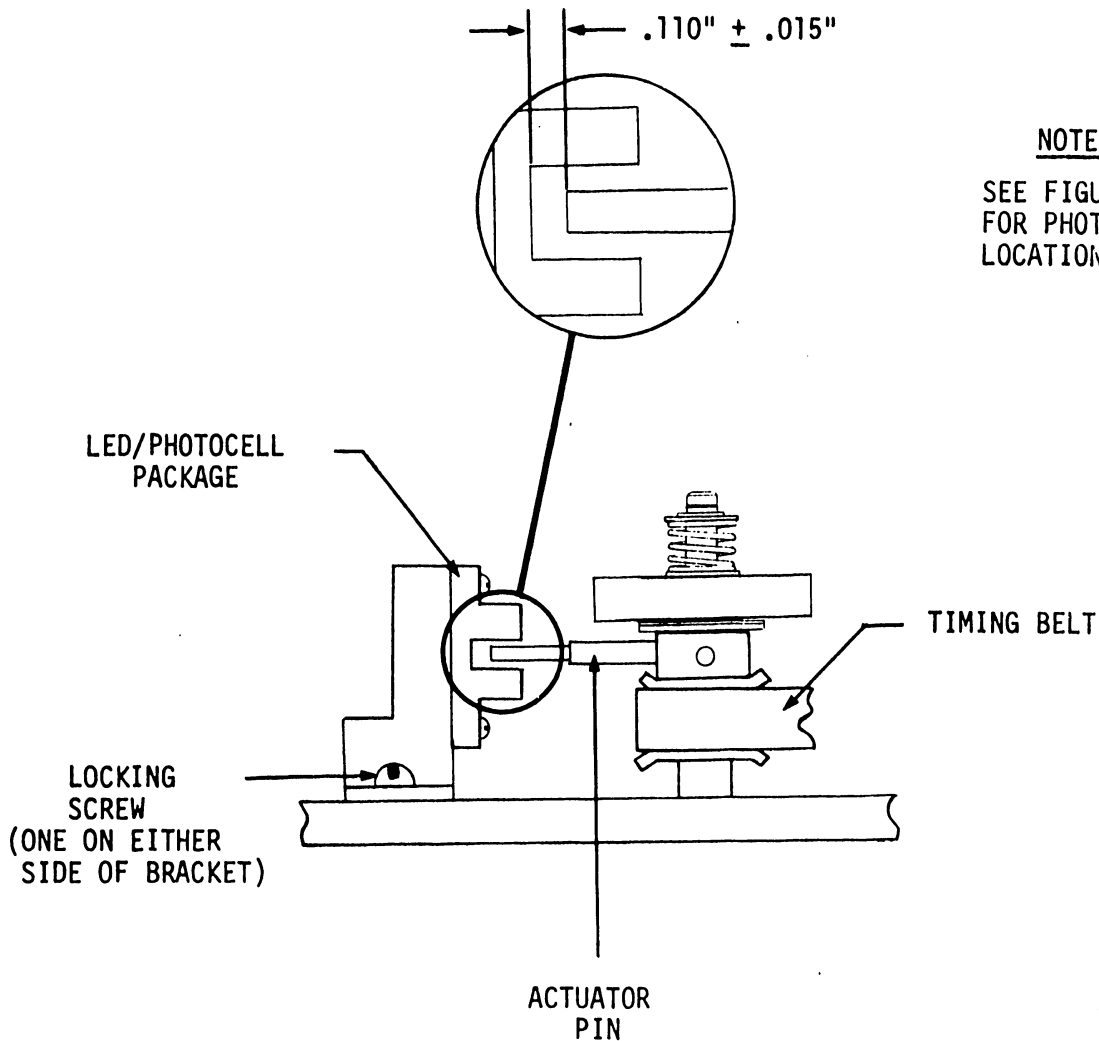


FIGURE 25
LED/PHOTOCELL ALIGNMENT

5.16 HOME POSITION ALIGNMENTS

1) The following is a procedure for aligning Y axis home position. Refer to Figures 26, 27 and 28.

(a) Turn power off.

X & Y TIMING
GEARS

LED PHOTOCCELL
PACKAGES

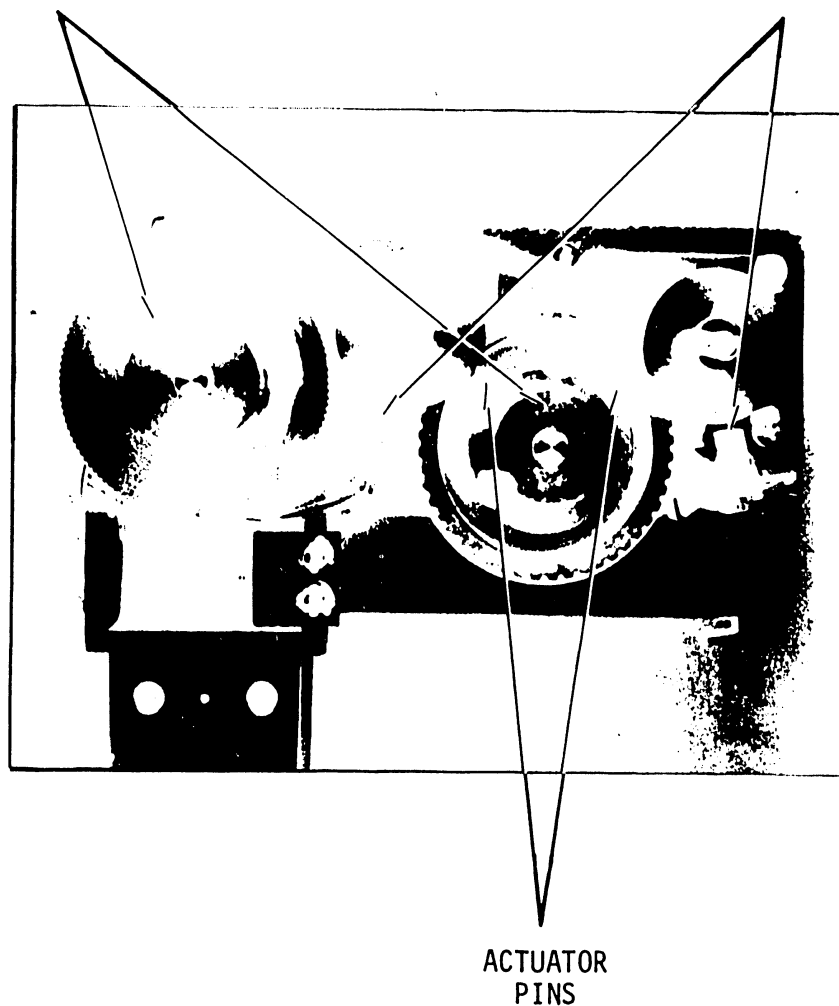


FIGURE 26
HOME POSITION COMPONENT LOCATIONS

- (b) Move pen carrier away from bottom margin.
- (c) Remove timing belt from Y timing gear.
- (d) Move the pen carrier back toward the bottom margin until the Y axis actuator actuates the Y encoder switch (Y SW1).
- (e) Rotate the Y axis actuator pin until it is 90° from engaging the LED/photo cell package.
- (f) Replace the timing belt onto the Y timing gear.
- (g) Turn the power on. At this time the Model 32 should go to the home position. See step (h) below to check alignment.

NOTE:

Due to bright lighting in some offices, the photo-cells may not work properly. In such cases, replace the motor cover before turning power back on. This allows normal reset.

- (h) With the carrier and the Y arm in the home position, the actuator pins should be inside the LED/photocell packages. See Figure 28.
- 2) The following is a procedure for aligning the X axis home position. Use Figures 26, 27 and 28 for reference.
- (a) Turn power off.
 - (b) Move Y arm away from left margin.
 - (c) Remove black timing belt from X timing gear.
 - (d) Move Y arm towards left margin until left margin stop (See Figure 29) actuates left X encoder switch (X SW1).

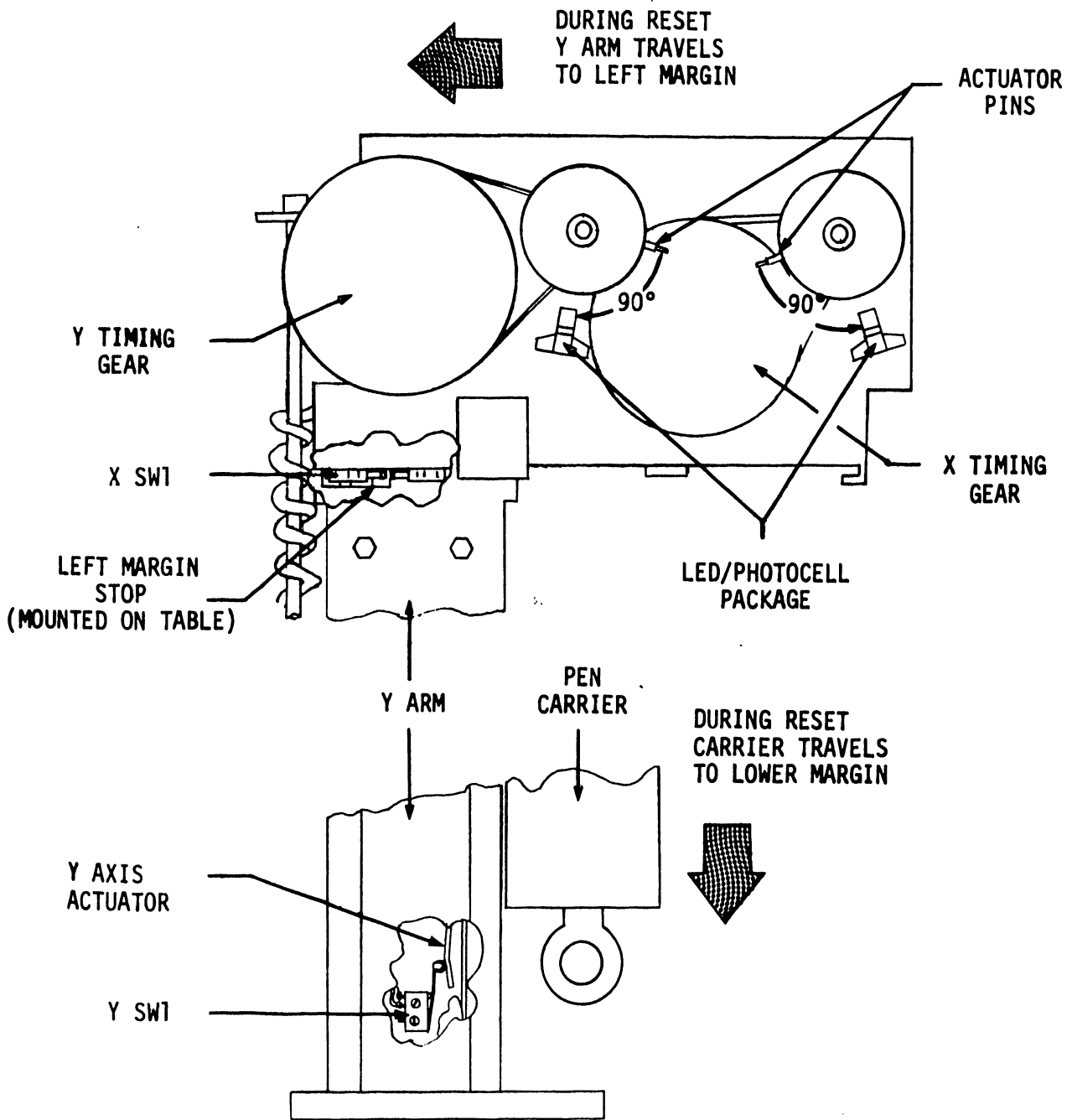


FIGURE 27
HOME POSITION ALIGNMENT

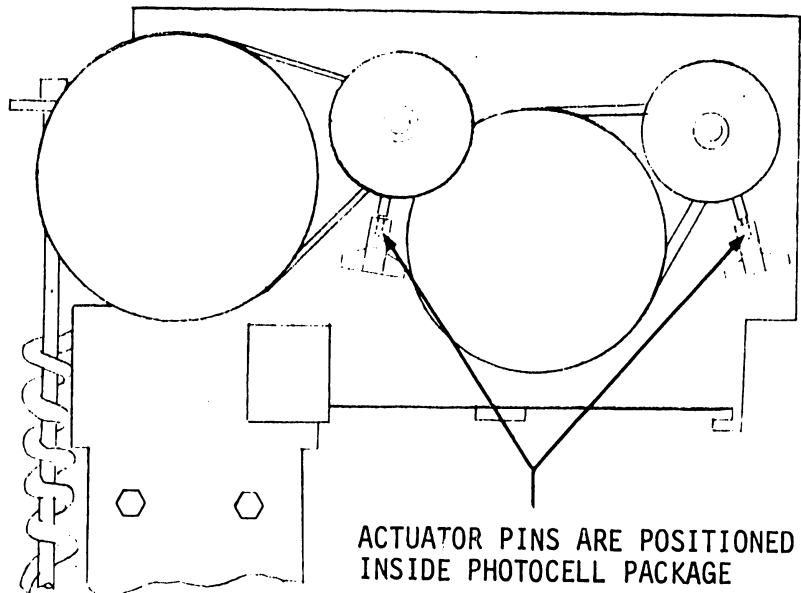


FIGURE 28
ACTUATOR PINS WHILE IN HOME POSITION

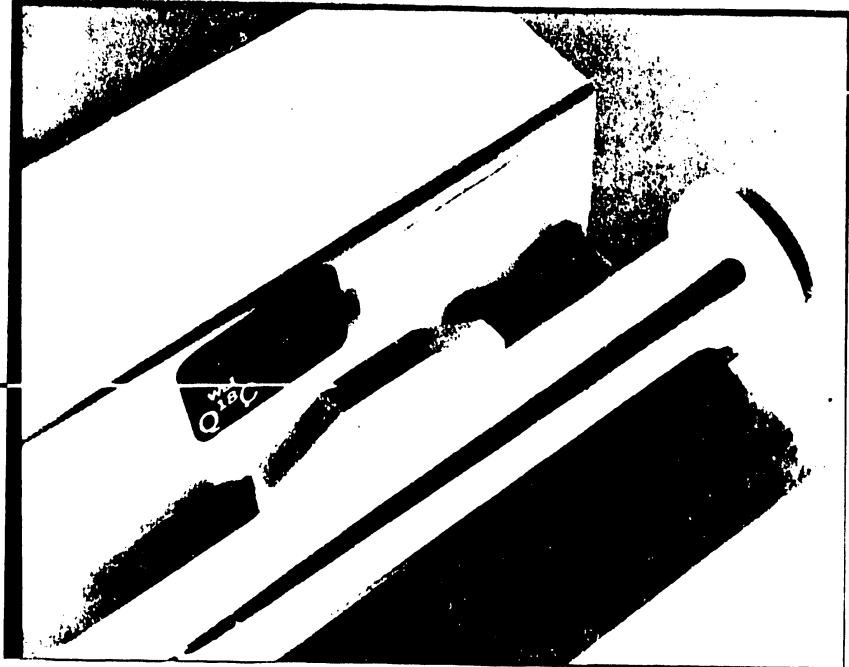


FIGURE 29
LEFT MARGIN STOP AND END CAP LOCATION

- (e) Rotate the X axis actuator pin until it is 90° from engaging the LED/photocell package.
- (f) Replace the timing belt onto the X timing gear.
- (g) Turn the power on. At this point the Model 32 should go to home position. See 5.16, Step 1 (h) to check alignment.

5.17 CARRIAGE LOADING ADJUSTMENT

- 1) When pushing with a spring scale on the head of the adjusting screw in a rotational direction, it should begin movement at 2 lbs \pm 1/4 lb. See Figure 30.
- 2) Adjustment is made by loosening the adjustment screw, moving the collar to the desired location, and retightening the screw.

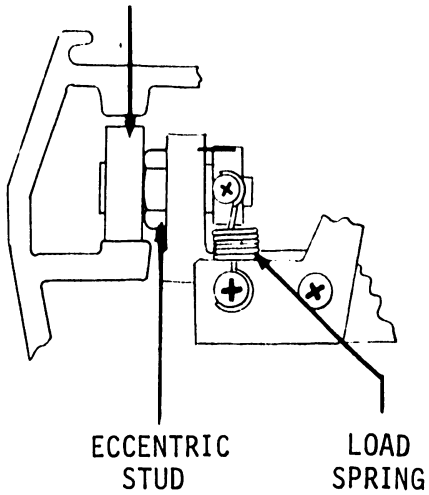
5.18 Y ARM REMOVAL AND REPLACEMENT

- 1) To remove the Y arm:
 - (a) Turn the power off on the package, and disconnect the Y arm cable.
 - (b) Remove the screw in the center of the end cap located on the left end of the X shaft. Remove the end cap. See Figure 29.
 - (c) Slowly move the arm to the left end (home position) and ease it off the X shaft and rail. See Figure 31.
- 2) Replacement of the Y arm:
 - (a) Holding the arm parallel to the table top, ease the motor casting onto the X shaft simultaneously guiding the runner at the bottom of the arm into the rail.



ADJUSTING
SCREW

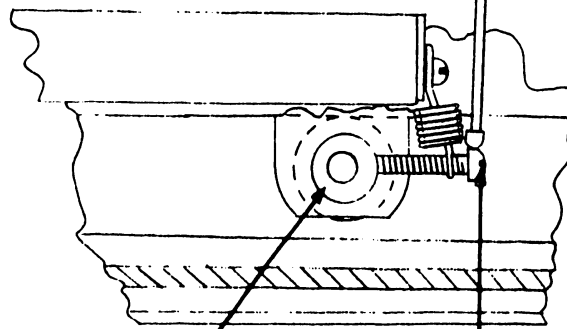
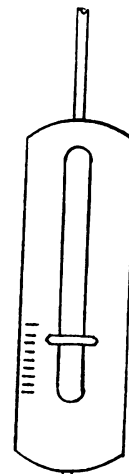
BEARING
AND
ROLLER



ECCENTRIC
STUD

LOAD
SPRING

SCREW SHOULD
JUST MOVE AT
2 LBS \pm 4 OZS



COLLAR

ADJUSTING
SCREW

FIGURE 30

- (b) When both the motor casting and runner are started, slowly push the arm towards the opposite side of the table. Some resistance will be felt when the pinion gear meets the X rack and when the bearing in the motor casting meets the outside of the X shaft. This resistance may be overcome by jogging the arm up and down.
- (c) Replace the stop cap on the end of the X shaft.
- (d) Reinstall screw described in 5.18, #1 (b).
- (e) See Section 5.16, #2 to realign the X home position. This is necessary because the pinion gear will be moved with respect to the left margin limit switch.

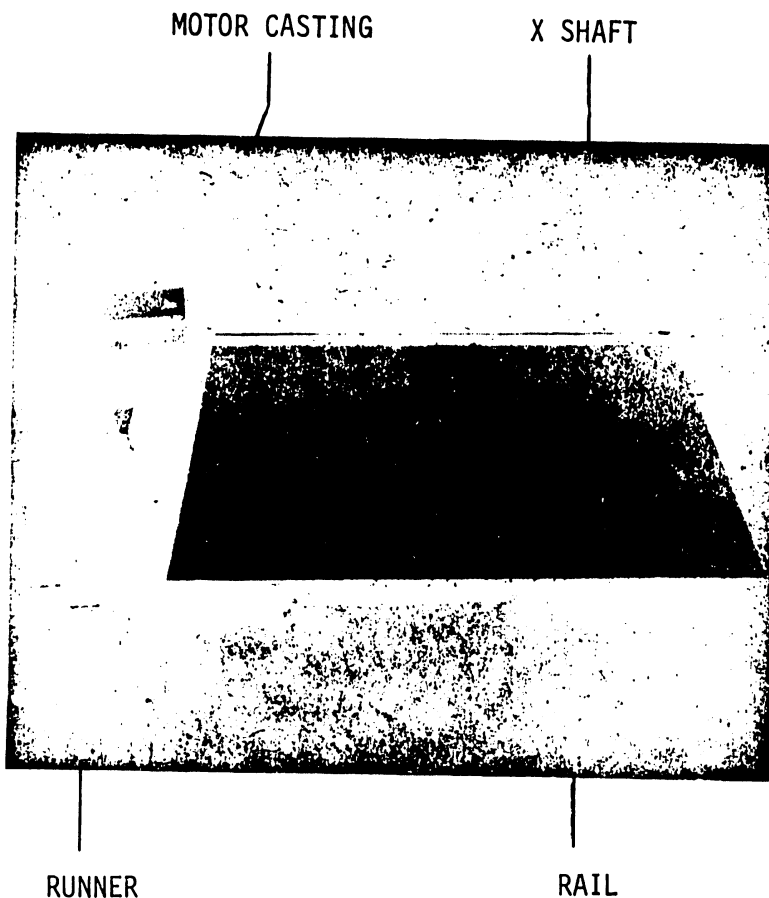


FIGURE 31
Y ARM REMOVAL

6. ELECTRICAL ADJUSTMENTS - L565 PC

6.1 +5VR ADJUSTMENT

- 1) Check +5VR from pin 14₂ (+5V) to 13₂ (+0V).
- 2) Adjust +5VR by varying R43. See Figure 32.

6.2 +23VR ADJUSTMENT

- 1) Check +23VR from pin H₂ (+23V) to 13₂ (+0V).
- 2) Adjust +23VR by varying R35.

6.3 STEPPING MOTOR FREQUENCY ADJUSTMENT

Check the period (leading edge to leading edge) of one full cycle at pin 3₂ of the L565 PC.

The time from A to B, with motors at rest should be set to 180 μ s \pm 18 μ s, by adjusting R54. With this adjustment accomplished, plot a line of +999(X) +999(Y), while observing the period of A to B. Observe the change in the period of A to B occurring at the end of the 999 step traverse. The period of A to B at that moment should be 120 μ s \pm 10 μ s. If the above cannot be accomplished, follow standard troubleshooting procedures. See Figure 33.

The critical factor in the adjustment of R54 is the 120 μ s (motors in motion). The initial setting of R54 (180 μ s; motors at rest) is only preliminary. Therefore, readjust R54 until the 120 μ s \pm 10 μ s reading can be verified at the moment coinciding with the end of the 999 step traverse; (motors have reached maximum stepping speed).

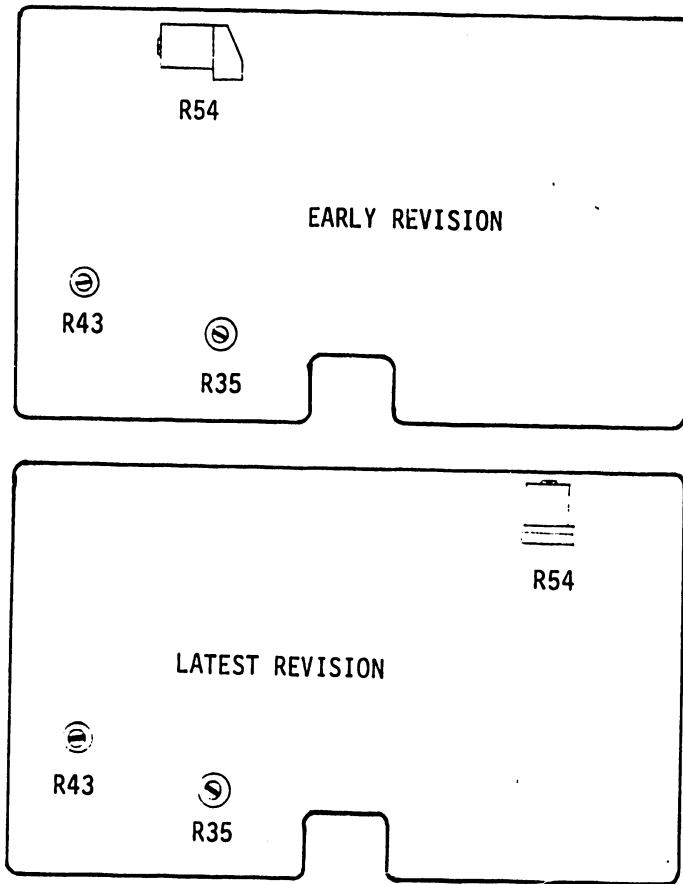


FIGURE 32
POT LOCATIONS ON L565 PC BOARD

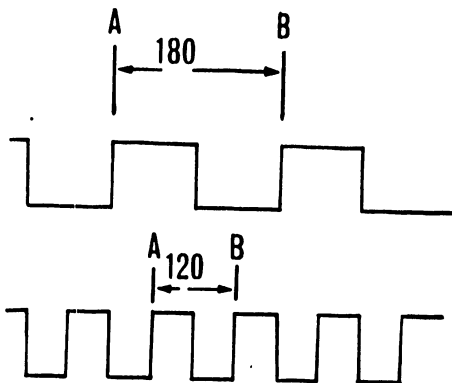


FIGURE 33

7. ACCESSORIES OF THE MODEL 32 AND THEIR USE

7.1 The following is a list of the accessories with WLI numbers which come with the Model 32:

1)	Vega Pens	1 Black	725-0462
		1 Red	725-0463
2)	Ball Point Lindy Pens	1 Black	900-0487B
		1 Red	900-0488B
3)	Vega Pen Adapter	1 Locknut	478-0212
		1 Adapter	458-0207
4)	Lindy Pen Adapter	1 Locknut	478-0211
		1 Adapter	458-0206
5)	Adapter for Drafting Pen	1 Adapter	458-0204
6)	Magnets	6 Plates	660-0508
		6 Magnets	458-0198
7)	Wrench	1	458-0221
8)	*Table Brackets	2 Right Hand	451-4219
		2 Left Hand	451-4220
9)	Screws, Pan Hd. 10-24 x 1/2 Lg.	8	650-5161
10)	Washer #10 Flat	8	653-6000
11)	Washer #10 Lock	8	653-6001

7.2 DESCRIPTION OF ACCESSORIES - See Figure 34

- 1) The Vega Pen is a fiber tip pen used when a wide or dark line is desired. The Lindy pens are fine point ball point pens used for more accurate plots.

*Late models will not have these table brackets.

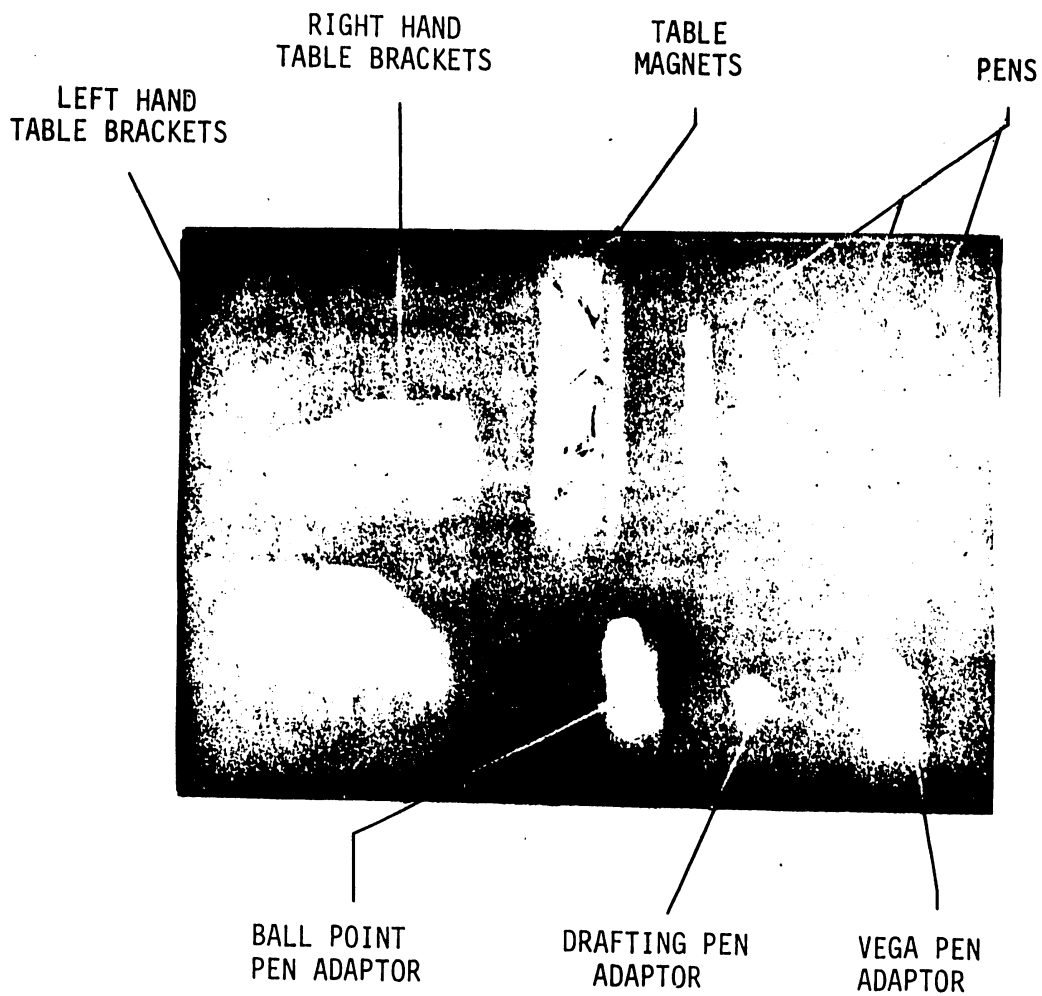


FIGURE 34
ACCESSORIES TO MODEL 32

- 2) The Vega pen adapter holds the Vega pen. The pen is held securely in place by tightening the locknut on the adapter. The adapter is screwed into the pen arm of the carrier.

The Lindy pen adapter is used in the same manner, but for Lindy pens only.

The drafting pen adapter is threaded on its interior to adapt to a Mars drafting pen.

- 3) A wrench supplied is for tightening and loosening the pen adaptors.
- 4) The six magnets supplied are for holding the plotting paper.
- 5) Table brackets, screws, and washers have been supplied to secure the plotter to table top. The table which is recommended is a MayLine Model #7744. There are threaded holes on the bottom of MayLine tables for mounting the table brackets.

The brackets are mounted on the plotter with the screws not tightened as shown in Figure 35; the plotter is then placed on the table, the brackets are forced flush against each corner, and the bracket screws are tightened. Late models will not have these table brackets.

TABLE BRACKETS

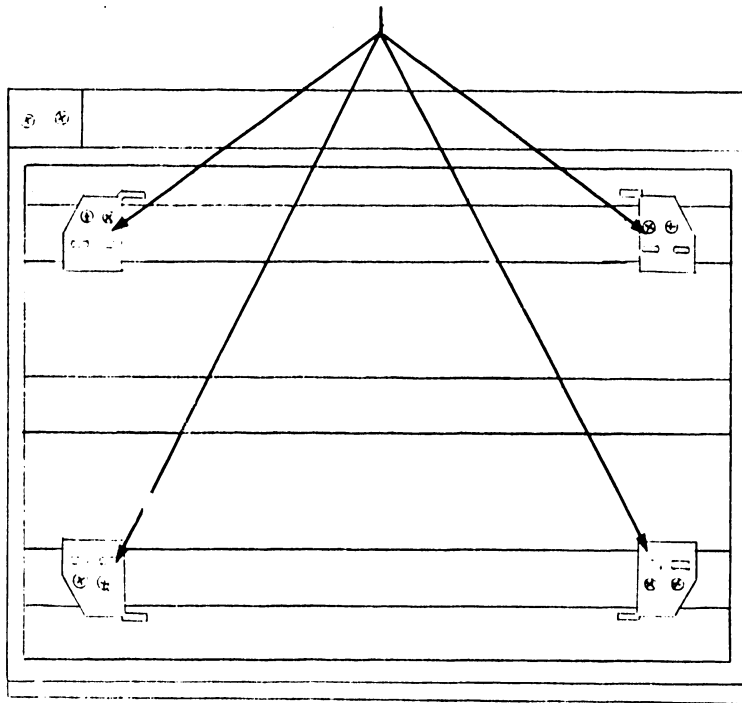


FIGURE 35
TABLE BRACKET LOCATIONS

8. DIAGNOSTICS VERIFY 8560

The diagnostic tape was written for a 720, however all subroutines may be used with a 700 without a problem, except for subroutine 02 (rectangle drawn at angle). When this subroutine is used, part of the program, (VERIFY = 8560), is destroyed and must be reloaded into the calculator.

8.1 CONCENTRIC CIRCLES OR ELIPSES

1) Keying order

- (a) Key $\boxed{00}$
- (b) Key a (length of major axis), GO
- (c) Key b (length of minor axis), GO
- (d) Key θ (increment of central angle), GO

2) Example (See result, Figure 36)

- (a) Key $\boxed{00}$
- (b) Key 500, GO
- (c) Key 500, GO
- (d) Key 10, GO

$$a = 500 = 1 \frac{1}{4}''$$

$$b = 500 = 1 \frac{1}{4}''$$

$$\theta = 10 = 10^\circ$$

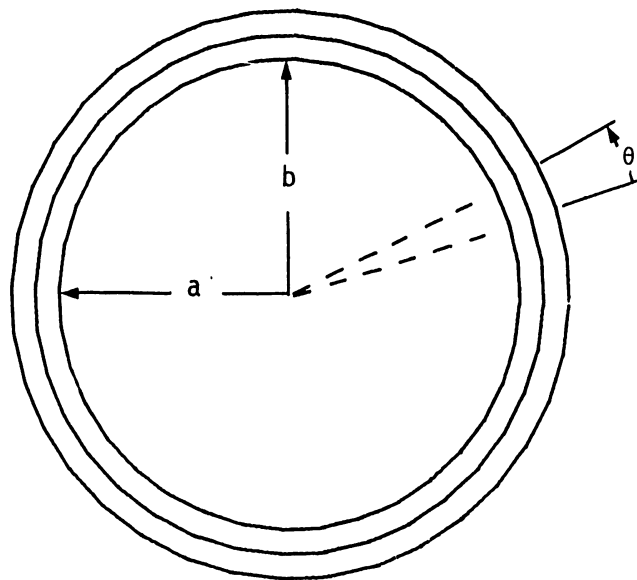


FIGURE 36
SUBROUTINE $\boxed{00}$ OF DIAGNOSTIC

8.2 INCREMENTING RADII

1) Keying order

- (a) Key 01
- (b) Key a (length of major axis), GO
- (c) Key b (length of minor axis), GO
- (d) Key θ (increment of central angle), GO

2) Example (See result, Figure 37)

- (a) Key 01
- (b) Key 500, GO
- (c) Key 500, GO
- (d) Key 10, GO

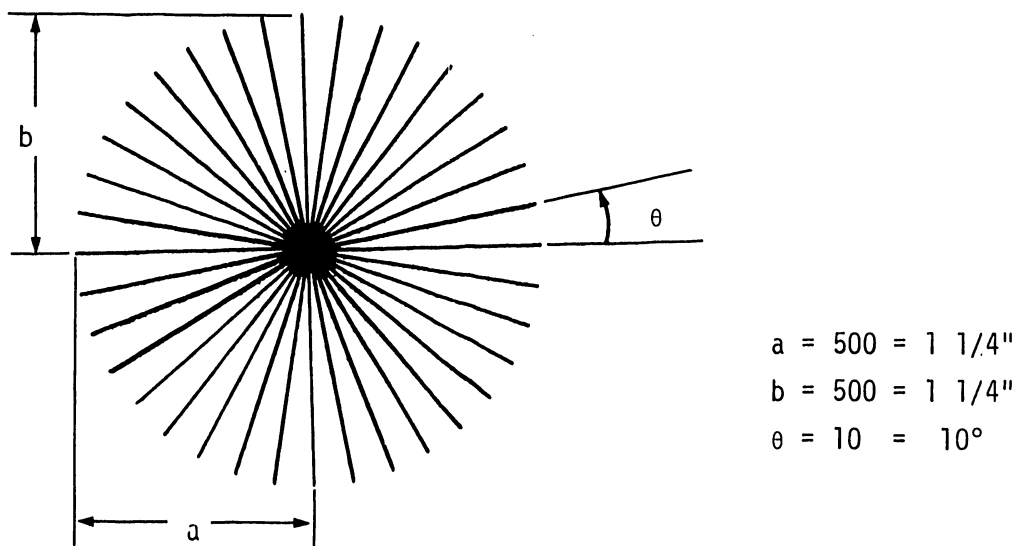


FIGURE 37
SUBROUTINE 01 OF DIAGNOSTIC

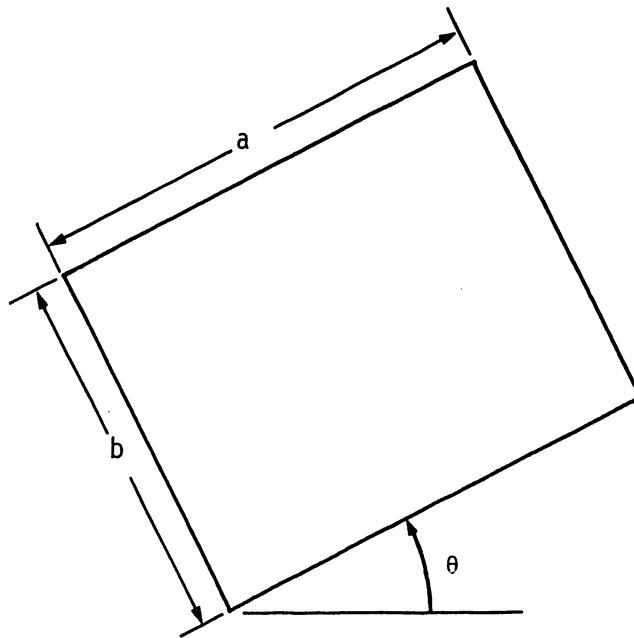
8.3 RECTANGLE DRAWN AT AN ANGLE

1) Keying order

- (a) Key 02
- (b) Key a (length of one side), GO
- (c) Key b (length of other side), GO
- (d) Key θ (angle), GO

2) Example (See result, Figure 38)

- (a) Key 02
- (b) Key 1000, GO
- (c) Key 800, GO
- (d) Key 30, GO



$$\begin{aligned} a &= 1000 = 2 \frac{1}{2}'' \\ b &= 800 = 2'' \\ \theta &= 30 = 30^\circ \end{aligned}$$

FIGURE 38
SUBROUTINE 02 OF DIAGNOSTIC

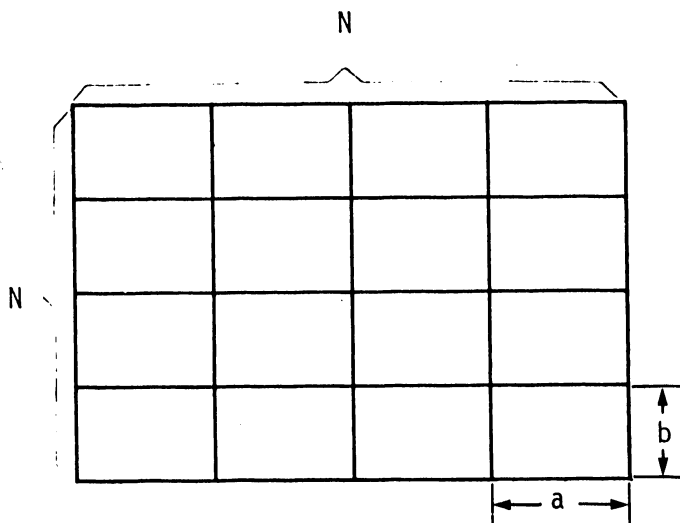
8.4 RECTANGLES

1) Keying order

- (a) Key 03
- (b) Key a (width of squares), GO
- (c) Key b (height of squares), GO
- (d) Key N (Number of squares on any side), GO

2) Example (See result, Figure 39)

- (a) Key 03
- (b) Key 300, GO
- (c) Key 200, GO
- (d) Key 4, GO



$$\begin{aligned} a &= 300 = 3/4'' \\ b &= 200 = 1/2'' \\ N &= 4 = 4 \text{ RECTANGLES} \end{aligned}$$

FIGURE 39
SUBROUTINE 03 OF DIAGNOSTIC

8.5 90° ANGLE FOR ALIGNING X SHAFT AND Y ARM

Keying **14** will plot a large 90° angle for checking the perpendicularity of the X shaft and the Y arm, as in Section 5.10.

8.6 DASH-POT DIAGNOSTIC

Keying **13** will start a program to check the adjustment of the dash-pot as explained in Section 5.6.

8.7 To move pen in any direction less than or exceeding 999 increments and with the pen up.

1) Keying order

(a) Key increment and direction desired

(b) Key **15**

2) Example

(a) Key in number 1200, † (put in Y Register)

(b) Key number 1000 (X Register)

(c) Key **15**

To perform the above with the pen down, key **0315** instead of **15**.

9. PREVENTIVE MAINTENANCE PROCEDURES

The Model 32 should have visual and performance checks, and lubrication at least three (3) times annually.

9.1 LUBRICATION

The X shaft should be lubricated after being cleaned with a light coat of silicon grease.

9.2 CLEANING

- 1) Clean the X shaft by wiping it with a cloth or paper towel. Do not moisten the towel.
- 2) Remove any dust or foreign material from the X rail.
- 3) Clean the X Rack and pinion gear by spraying it with freon.

9.3 VISUAL INSPECTION

- 1) Check for any loose components, screws or bolts.
- 2) Check perpendicularity of X shaft to Y arm (Section 5.9).
- 3) Check for wear of X and Y belts.
- 4) Check cable tension of Y cable (Section 5.14).
- 5) Run Diagnostic Tests, Tape 8560.

**SERVICE
BULLETIN
NO. 44.1**

EDITED BY CUSTOMER ENGINEERING DIVISION

MODEL 632A/732A/2232A DIGITAL FLATBED PLOTTER

Production of the Model 32 Digital Flatbed Plotter has been discontinued; the Model 32A is being manufactured to improve the table, pen pressure and accuracy. All changes are mechanical: the table construction is changed to prevent warping and the pen adapter of the Model 32 is changed to three separate pen adapters (one for each type of pen) to improve accuracy and reliability of plots.

Service Bulletin 44 is still valid for the Model 32. This bulletin, 44.1, contains a description of the Model 32A (Section 1), the mechanical adjustments (Section 5), accessories of the Model 32A and their use (Section 7), the conversion from a Model 32 to a 32A (Section 10), and assembly drawings for both Models 32 and 32A (Section 11). The sections in *Service Bulletin 44* that are valid for this bulletin are:

- Section 2 - COMPONENTS
- Section 3 - OPERATING CONFIGURATION
- Section 4 - OPERATION
- Section 6 - ELECTRICAL ADJUSTMENTS
- Section 8 - DIAGNOSTICS - VERIFY 8560
- Section 9 - PREVENTIVE MAINTENANCE PROCEDURES

NOTICE:

This document is the property of Wang Laboratories, Inc. Information contained herein is considered company proprietary information and its use is restricted solely to the purpose of assisting you in servicing Wang products. Reproduction of all or any part of this document is prohibited without the consent of Wang Laboratories.

WANG

LABORATORIES, INC.

836 NORTH STREET, TEWKSBURY, MASSACHUSETTS 01876, TEL. (617) 861-4111, TWX 710 343-6700, TELEX 94-7421

Printed in U.S.A.
1J-210A

TABLE OF CONTENTS

1. GENERAL	3
1.1 Description	3
1.2 Improvements	3
1.3 Specifications	3
2. COMPONENTS - See <i>Service Bulletin No. 44</i>	
3. OPERATING CONFIGURATION - See <i>S.B. #44</i>	
4. OPERATION - See <i>S.B. #44</i>	
5. MECHANICAL ADJUSTMENTS	4
5.1 Adjustment Tools	5
5.2 Loading Procedure for Fiber Pen	5
5.3 Loading Procedure for Ink Pen	6
5.4 Loading Procedure for Ball Pen	6
5.5 Pen Pressure Adjustment	7
5.6 Pen and Solenoid Adjustment	8
5.7 Pen Height Adjustment	9
5.8 Carrier Brake Adjustment	10
5.9 Leveling Y Arm	11
5.10 Squaring X Shaft	11
5.11 Making Y Arm Perpendicular to the X Shaft	12
5.12 Pinion Loading Adjustment	13
5.13 Y Increment Adjustment	14
5.14 Cable Tension Adjustment	17
5.15 Photocell Alignment	19
5.16 Home Position Alignment	20
5.17 Y Arm Removal and Replacement	24
5.18 Y Arm and Table Compatibility	25
5.19 Y Arm Eccentric	25
6. ELECTRICAL ADJUSTMENTS - See <i>S.B. #44</i>	
7. ACCESSORIES OF THE MODEL 32A	26
8. DIAGNOSTICS - See <i>S.B. #44</i>	
9. PREVENTIVE MAINTENANCE PROCEDURES - See <i>S.B. #44</i>	
10. CONVERSION FROM MODEL 32 TO 32A	27
11. MODEL 32 AND 32A ASSEMBLY DRAWINGS	30

1. GENERAL

1.1 DESCRIPTION

The Model 32A Digital Flatbed Plotter provides continuous line or print plotting of curves and data. Circle charts, bar graphs, subdivisional plans, and highway plans may be plotted with full alphanumeric labeling initiated by software.

1.2 IMPROVEMENTS

The Model 32A has a modified plotting table and pen carrier assembly. The new table is of honeycomb construction similar to that of aircraft wings. The new design eliminates warping of the table when supported incorrectly. The warping caused plots to be inaccurate, or in severe cases, missing.

The carrier assembly is designed so that the pen rises and falls vertically rather than on an arc like the Model 32. The vertical movement of the pen allows a more accurate plot while plotting on a surface that is uneven.

1.3 SPECIFICATIONS

- | | |
|------------------------|-------------------------------|
| 1) Table: | Width 60.25" (153.04 cm) |
| | Depth 46" (116.84 cm) |
| | Weight 105 lbs (47.25 kg) |
| 2) Electronic Package: | Height 19" (48.3 cm) |
| | Width 18" (45.7 cm) |
| | Depth 10" (25.4 cm) |
| | Weight 30 lbs (13.5 kg) |
| 3) Paper Capacity: | 59.5" x 36" (151.1 x 91.4 cm) |
| 4) Plotting Area: | 48" x 31" (121.9 x 78.7 cm) |

- 5) Accuracy: $\pm .01'' + .001$ inch/inch
($\pm .0254$ cm + .0025 cm/cm)
- 6) Stepping Increment: .0025'' (.00635 cm)
- 7) Stepping Rate: 300 to 500 steps/second
- 8) Plotting Time: 60''/minute (152 cm/minute) average
- 9) Voltage: 115 or 230 VAC $\pm 10\%$
- 10) Frequency: 50 or 60 Hz $\pm 1/2$ Hz

2. COMPONENTS - See *Service Bulletin 44*

3. OPERATING CONFIGURATION - See *Service Bulletin 44*

4. OPERATION - See *Service Bulletin 44*

5. MECHANICAL ADJUSTMENTS

All mechanical adjustments for the Model 32A are contained in this section; no reference to *Service Bulletin 44* is required. The adjustments are arranged as follows:

- * 1) Loading procedure for fiber pen.
- * 2) Loading procedure for ink pen.
- * 3) Loading procedure for ball pen.
- * 4) Pen pressure adjustment.
- * 5) Pen height adjustment.
- * 6) Pen and solenoid adjustment.
- 7) Carrier brake adjustment.
- 8) Leveling Y arm.
- 9) Squaring X shaft.
- 10) Making Y arm perpendicular to the X shaft.

- 11) Pinion loading adjustment.
- 12) Y increment adjustment.
- 13) Cable tension adjustment.
- 14) Photocell alignment.
- 15) Home position alignments.
- *16) Y arm removal and replacement.
- *17) Y arm and table compatibility.
- *18) Y arm eccentric.

*New adjustments for the Model 32A.

5.1 ADJUSTMENT TOOLS

- 1) 1 lb x 1/4 oz Push-pull Scale, Chatillon Mfg. #516-500
- 2) 5 lb x 1 oz Push-pull Scale, Chatillon Mfg. #719-5
- 3) 6" Scale
- 4) 31" Scale
- 5) 45° Triangle, Pickett Mfg. #Q10-30SC-12
- 6) Extension Block 6" Gearfence
- 7) Allen Wrench Set
- 8) Feeler Gauges
- 9) Oscilloscope - carry on call

5.2 LOADING PROCEDURE FOR FIBER PEN - FIGURE 1

- 1) Push fiber pen into inner sleeve of pen housing until it bottoms.
- 2) Screw preloading cap assembly to pen housing.

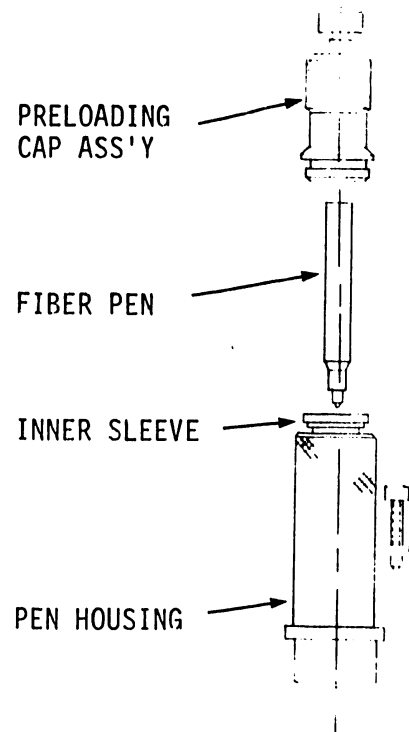


FIGURE 1

5.3 LOADING PROCEDURE FOR INK PEN - FIGURE 2

- 1) Lift adapter sleeve from pen housing. Screw plotter point into point holder. Screw point holder assembly into adapter sleeve.
- 2) Load pen slide assembly in pen housing so that pen point protrudes through hole at point "A".
- 3) Screw preloading cap assembly to pen housing.

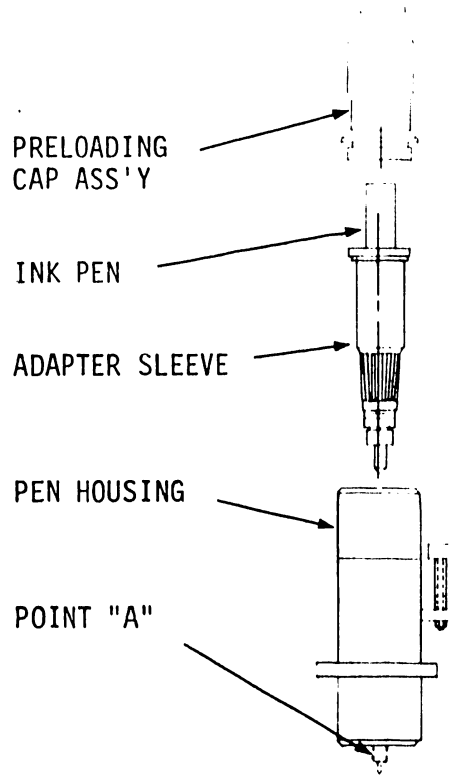


FIGURE 2

5.4 LOADING PROCEDURE FOR BALL PEN - FIGURE 3

- 1) Turn locking cap to position where grooved hole in locking cap lines up with hole in inner sleeve.
- 2) Insert ball pen so as it bottoms on inner sleeve.
- 3) Turn locking cap in either direction till grooved hole in cap locks ball pen in position.
- 4) Screw preloading cap assembly to pen housing.

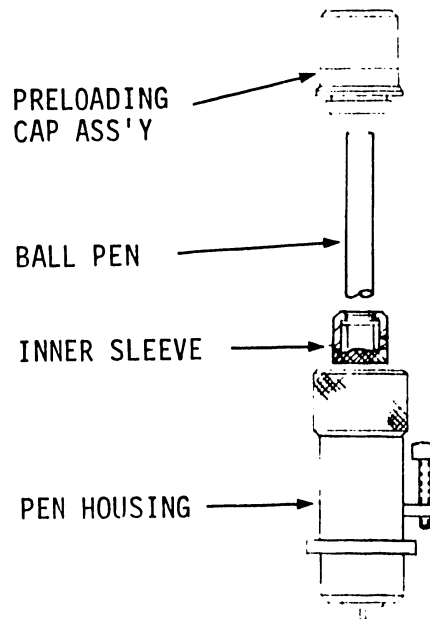


FIGURE 3

5.5 PEN PRESSURE ADJUSTMENT

PEN	GAP	GRAM READING
Mars Technical Pen - Fig. 4	.235" (.597 cm)	10 ± 2 grams
Ball Point Pen - Fig. 5	.315" (.8 cm)	71 ± 3 grams
Fiber Pen - Fig. 5	.250" (.635 cm)	4 ± 1 grams

Each pen holder is similar in adjusting the pressure and gap; the point of measurement differs. At the correct gap, the gram reading should be as above. To increase the pressure, turn the adjusting screw clockwise; to decrease pressure, turn the screw counterclockwise.

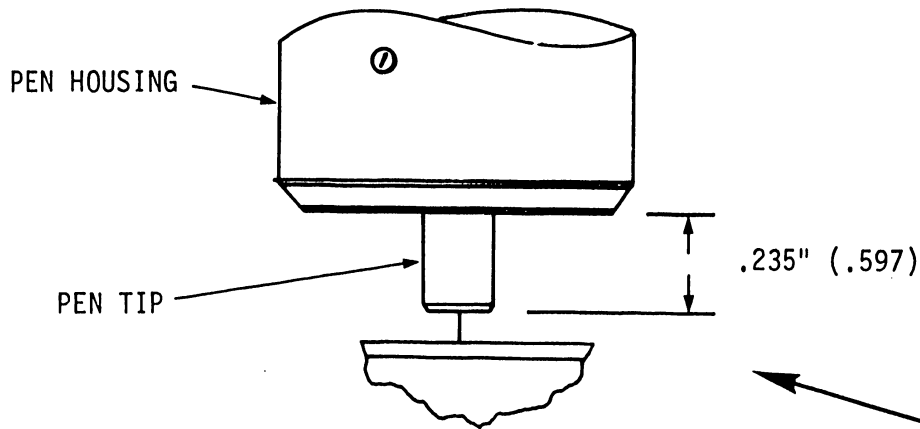


FIGURE 4

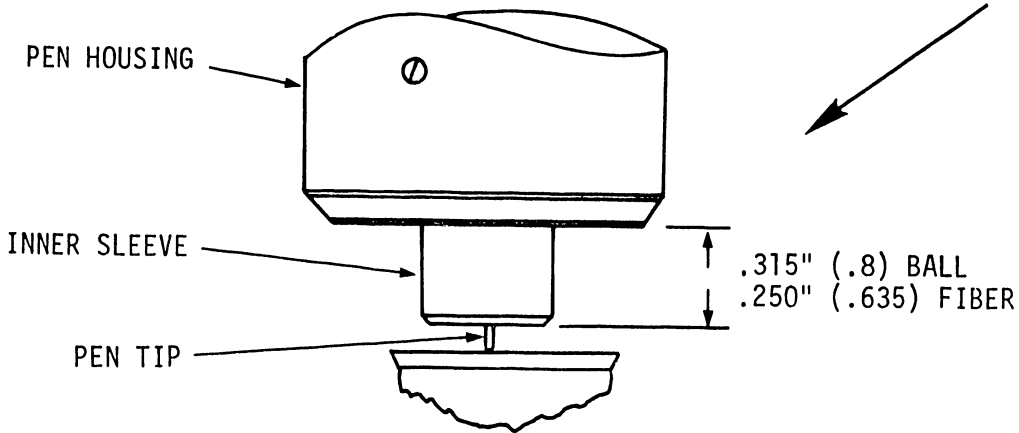
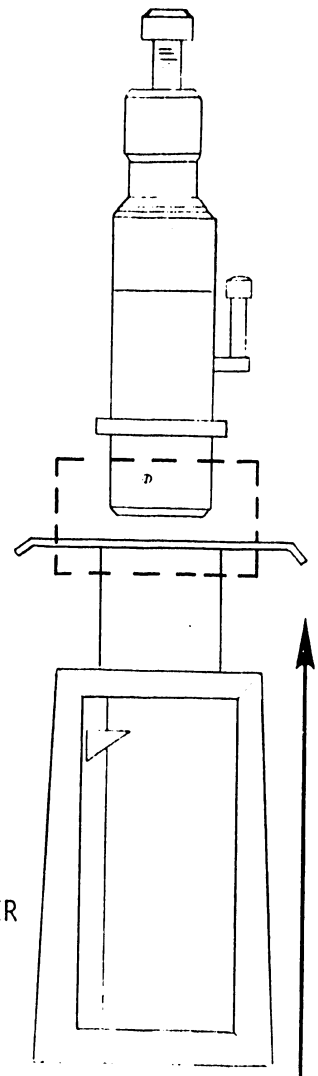


FIGURE 5



GRAM SCALE-PUSH UP

5.6 PEN AND SOLENOID ADJUSTMENT (See Figure 6)

- 1) With a pen housing loaded into the pen holder mount, adjust eccentric stop until .10" (.25 cm) gap is obtained at the solenoid plunger with solenoid deenergized (pen up).
- 2) Measure 4.75 oz \pm .25 downward force on the pen actuator arm at adjustment screw point. Move the return spring into the correct hole to obtain proper adjustment.

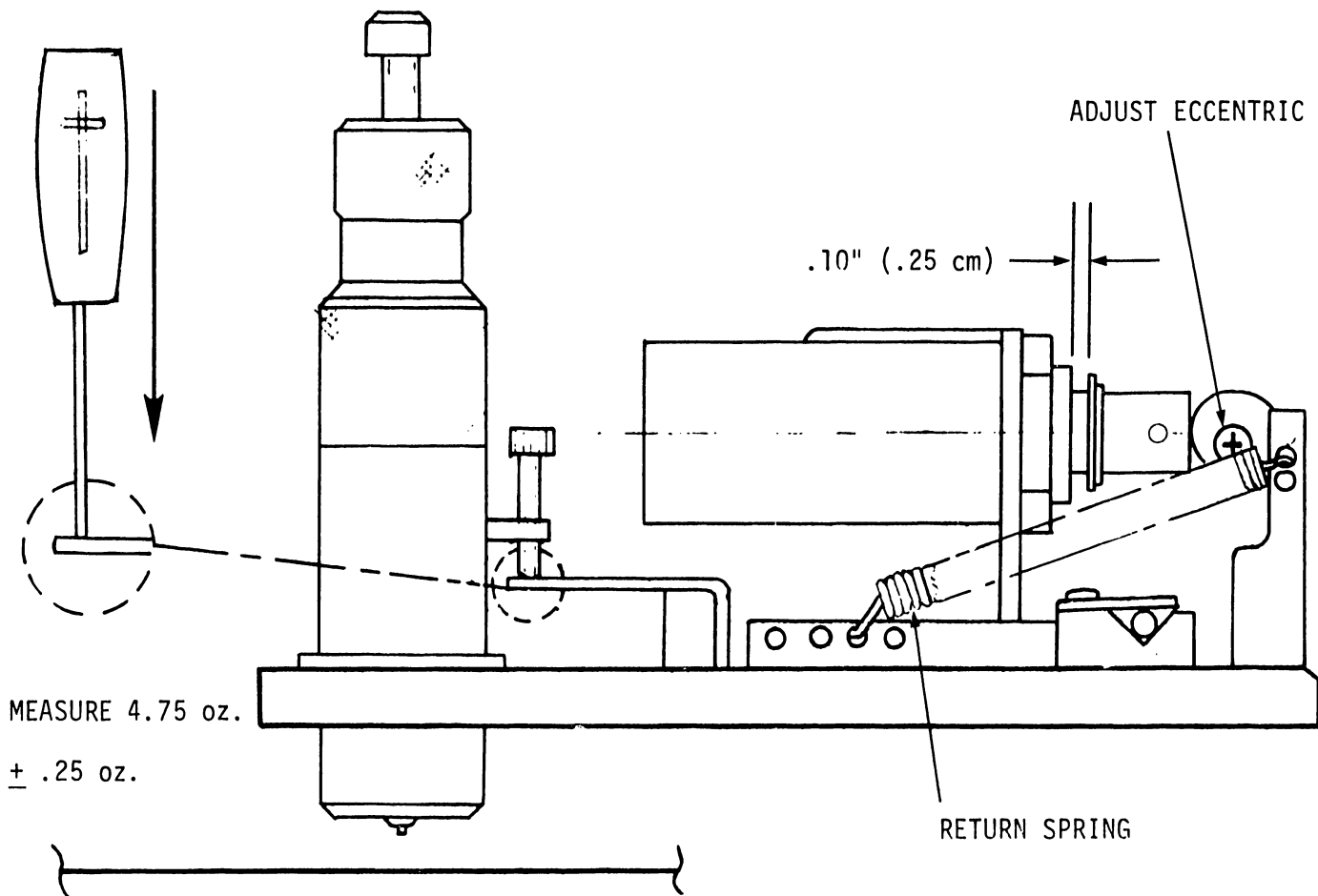


FIGURE 6
PEN AND SOLENIOD ADJUSTMENT

5.7 PEN HEIGHT ADJUSTMENT (Refer to Figure 7)

- 1) With pen holder loaded into the pen holder mount, turn pen height adjustment screw counterclockwise to raise pen and clockwise to lower pen. This adjustment must be done for each pen holder.
- 2) Pen should be adjusted *just* high enough to avoid hitting a paper hold-down magnet, .18" (.46 cm) nominal, and still be able to plot over entire area, using the four corners as a quick check. If this is not possible, the Y arm may not be parallel with the table top. See Section 5.9.

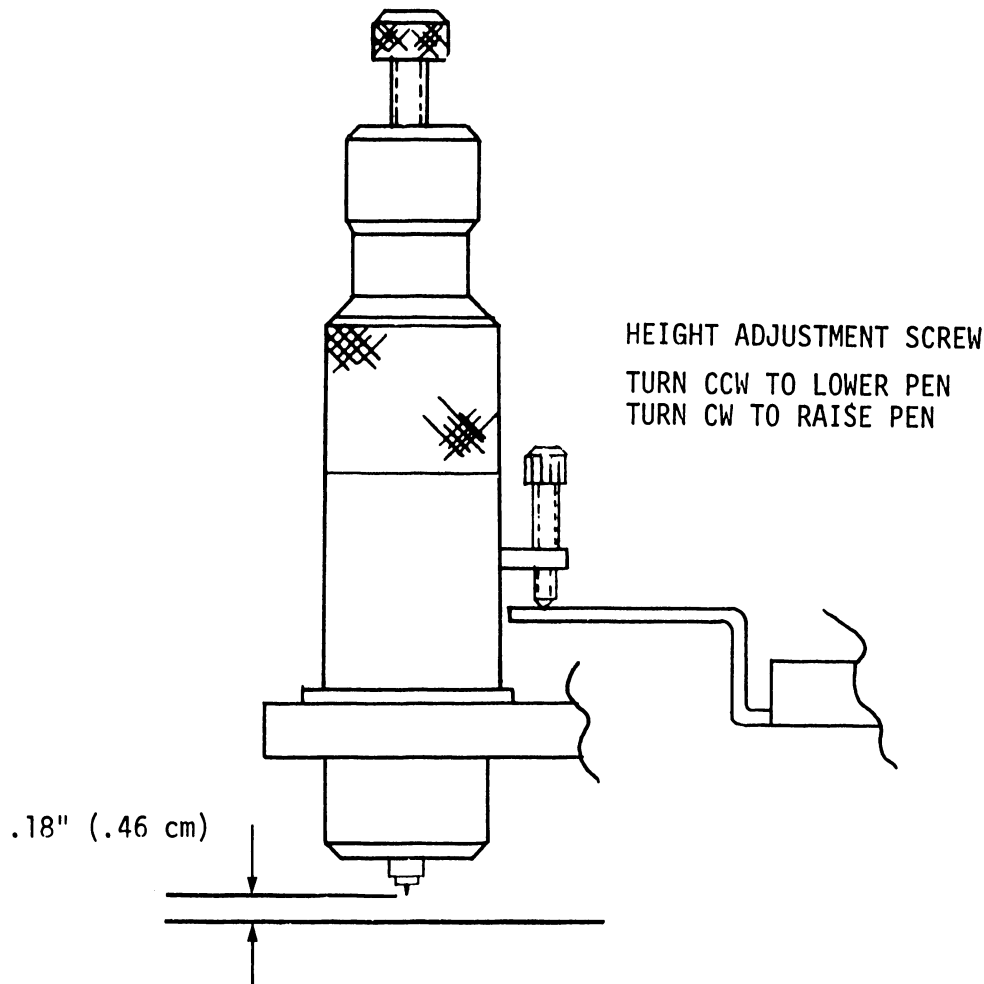


FIGURE 7

PEN HEIGHT ADJUSTMENT

5.8 CARRIER BRAKE ADJUSTMENT (See Figure 8)

Run the radius program of the Model 32 (see paragraph 8.2); adjust the screw until there is no noticeable line oscillation or line separation. A slight line expansion is acceptable.

NOTE:

A tolerable line oscillation of several thousandths of an inch will be present on most Model 32A plotters. The oscillation is more apparent at 7°, 83°, 97°, 173°, 187°, 263°, 277°, and 353°.

The carrier brake is not always the cause of line separation or line oscillation. For other suggestions, see section 9, X shaft lubrication.

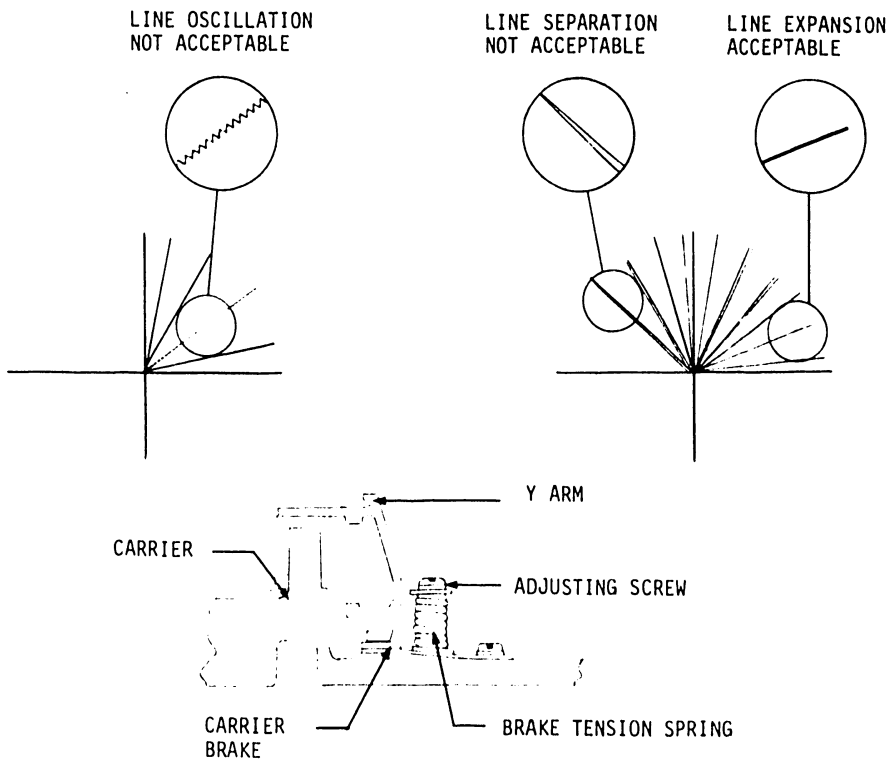


FIGURE 8
CARRIER BRAKE ADJUSTMENT

5.9 LEVELING Y ARM

- 1) The distance from the bottom of the Y arm to the table surface should be uniform throughout the table, within $1/16''$ (.16 cm).
- 2) Take a reading with a 6" scale at the bottom edge and at the top edge of the table. If adjustment is necessary, loosen all screws inside the runner and raise or lower the runner to correct the difference. See Figure 9.

5.10 SQUARING X SHAFT

- 1) The rack should be parallel to the edge of the X shaft over 10" (25.4) to within .002" (.005) and a maximum of .005" (.013) over the entire length of the rack.
- 2) To adjust for this, loosen the 6 screws directly beneath the X shaft and move the shaft to the specified position. See Figure 9.

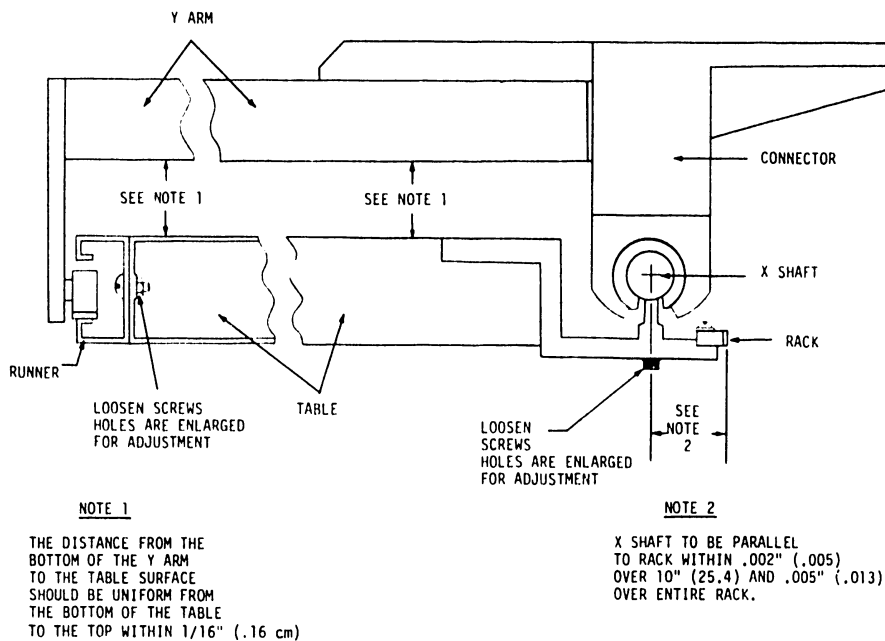


FIGURE 9

LEVELING Y ARM - SQUARING X SHAFT

5.11 MAKING Y ARM PERPENDICULAR TO THE X SHAFT

- 1) The Y arm must be square to the X shaft within .010" (.025) over a 30" (76.2) length. This is checked with a large triangle placed on a 90° plot as shown in Figure 10. The trial plot may be generated by subroutine 0014 on tape #8560.
- 2) To adjust the Y arm, loosen the lock bolts on the motor casting where it connects to the Y arm, and shift the adjusting block by loosening one jacking screw and tightening the other. See Figure 10.

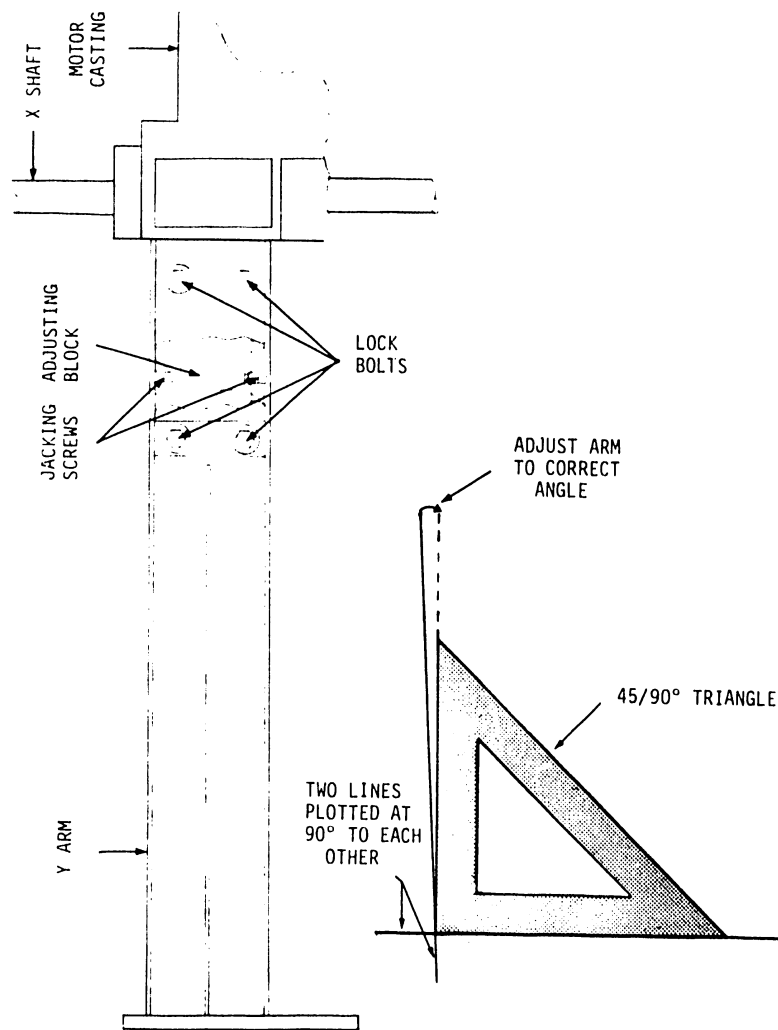


FIGURE 10
MAKING Y ARM AND X SHAFT PERPENDICULAR

5.12 PINION LOADING ADJUSTMENT

- 1) When pulling on the pinion block with a spring scale, the block should begin moving at 4.5 lbs. \pm .25 lb. See Figure 11.
- 2) To adjust the load tension, loosen the two lock screws and attach a spring scale behind the pinion block. Pull the scale away from the table. As the block begins to move, take a reading on the scale. If adjustment is necessary, turn the adjusting screw in to increase the tension or out to decrease tension. When adjustment is completed, tighten the lock screws.

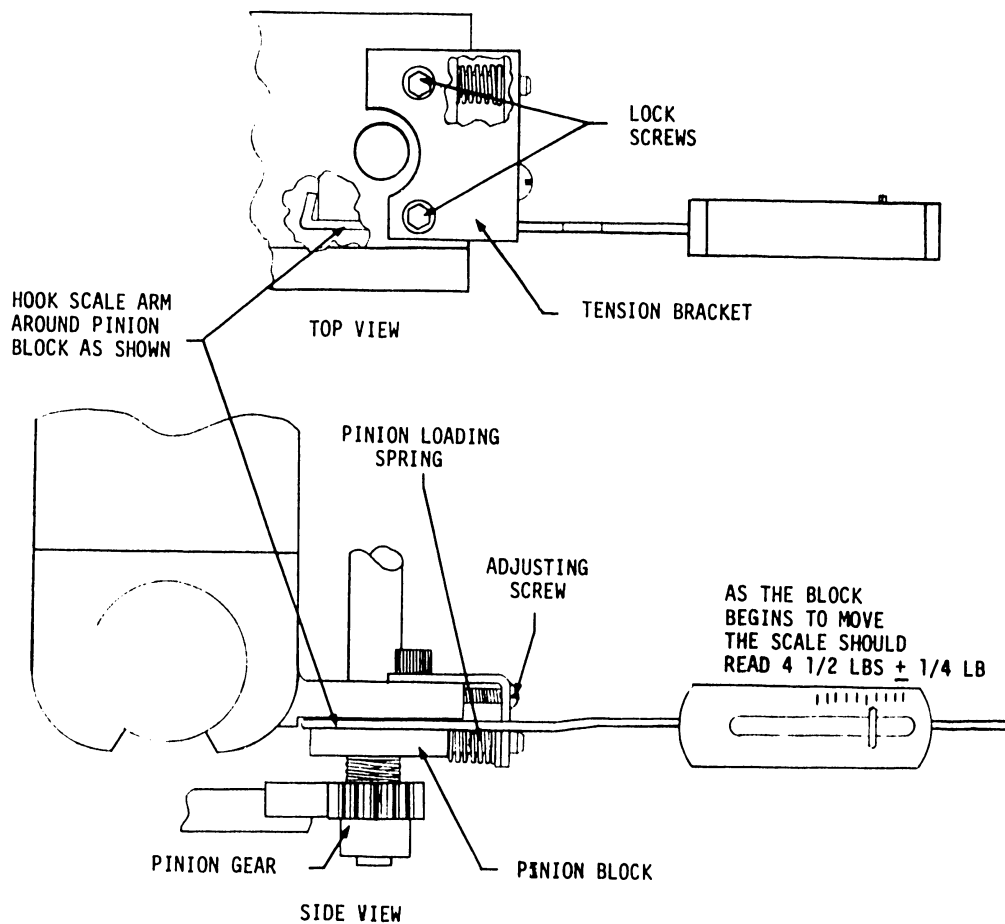


FIGURE 11
PINION GEAR LOAD TENSION

5.13 Y INCREMENT ADJUSTMENT

- 1) A line in the Y direction should be accurate in length over a 31" (78.74) plot within .005" (.013). Check 31" (78.74) accuracy by plotting in the Y direction 12400 increments and measuring that line. Use diagnostic in section 8.8.

NOTE:

Some subroutines have been incorporated in the diagnostics for the Model 32A. See Section 8.

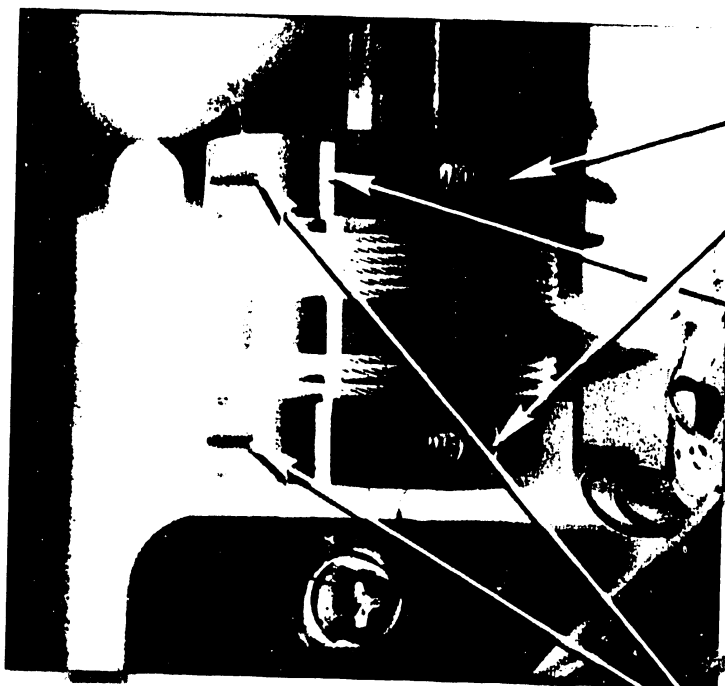
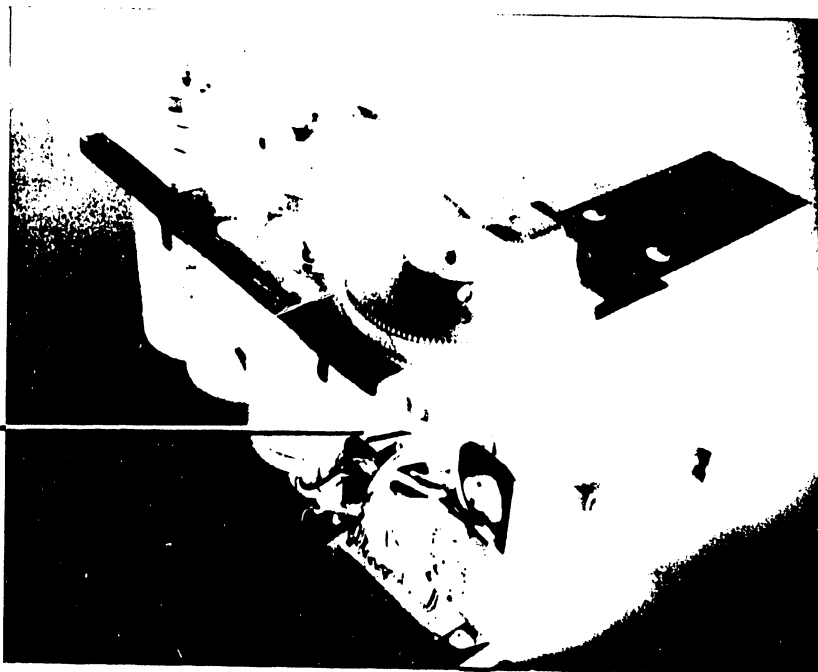
- 2) Adjustment of the Y increment is done by varying the circumference of the cable drum (See Figures 12 and 13). Increasing the diameter of the drum will cause larger increments; decreasing the diameter will cause smaller increments. The following steps explain.

NOTE:

It is only necessary to perform Step (a) below when increasing the diameter of the drum.
To ensure uniformity when increasing or decreasing the diameter of the drum, adjust both sides equally.

- (a) In order to expand the drum, it is necessary to release the cable stress on the drum. To release this pressure, place the carrier somewhere in the middle of the Y arm (arm disconnected from table and laying upside down - SEE 5.17 FOR Y ARM REMOVAL) and loosen the cable tightening clamp underneath the carrier (See Figure 14). Loosen the coils of cable looped around the drum. Since expansion of the drum requires Y arm removal, it is suggested that when the drum is expanded, it is expanded more than necessary. The diameter can then be decreased until the correct diameter setting is reached, section 5.13 #2 (c).

CORD DRUM
LOCATED UNDER
Y PULLEY



JACKING SCREWS

CUT OUT IN DRUM
ALLOWS EXPANSION
AND CONTRACTION
OF CORD DRUM

LOCKING SCREWS

FIGURE 12
CORD DRUM AND CORD DRUM LOCATION

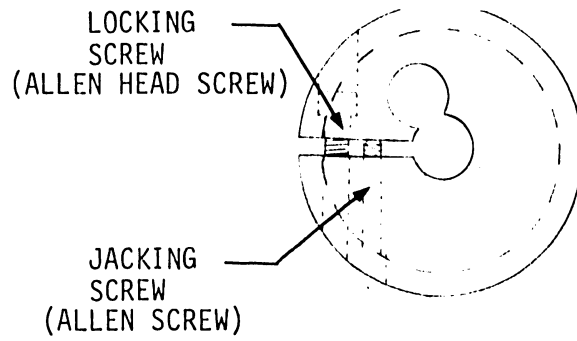


FIGURE 13

DRUM CROSS SECTION

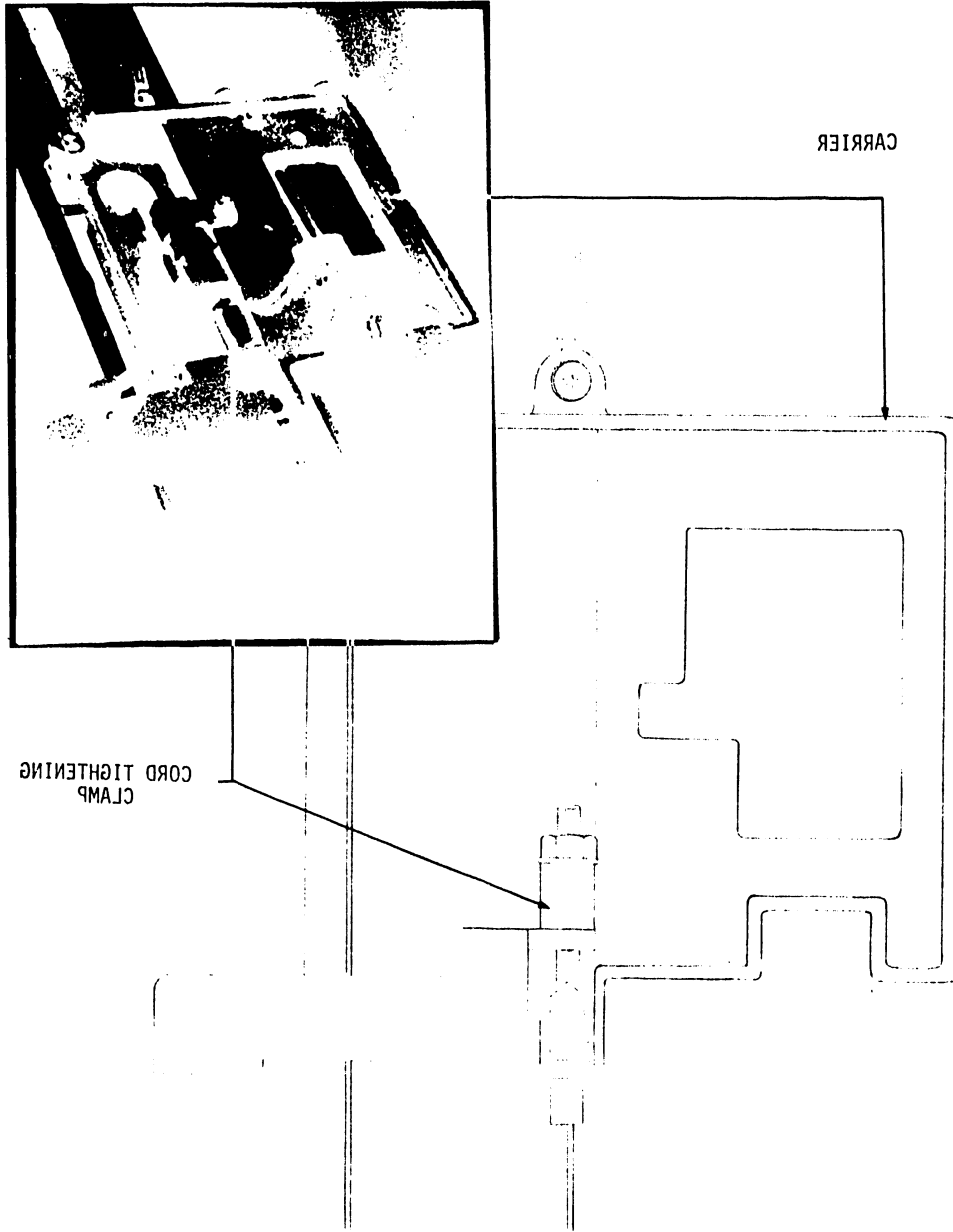


FIGURE 14

CORD TIGHTENING CLAMP LOCATION

- (b) To increase the diameter of the drum, remove the two lock screws shown in Figures 12 and 13, then turn the jacking screws clockwise to desired location. When jacking is completed, replace the locking screws.
- (c) To decrease the diameter of the drum, loosen the jacking screws slightly; tighten the locking screws until the desired diameter is met. Turn the jacking screws back in until they meet the opposite wall of the drum. This will prevent the drum diameter from decreasing more when the cable is retightened.
- (d) After adjustment is made, reverse the procedure in 5.13, #2 (a) to the cable, then see Section 5.14 to insure proper cable tension.

5.14 CABLE TENSION ADJUSTMENT

- 1) With the carrier assembly in the center of the Y arm, using a spring scale, pull the cable away from the arm. When the cable is pulled a distance of 1" (2.54) there should be a reading of 14 oz \pm 2 oz (See Figure 15).
- 2) The adjusting nut of the cable clamp may be turned in or out to fine adjust the tension. If the cable needs only fine adjust, use the cable clamp adjusting nut. If the cable is loose, the pulley should be moved to take up slack. Remove the C clip holding the pulley, remove the pulley, screw out the pulley shaft, and move pulley and shaft to a different hole for better tension.

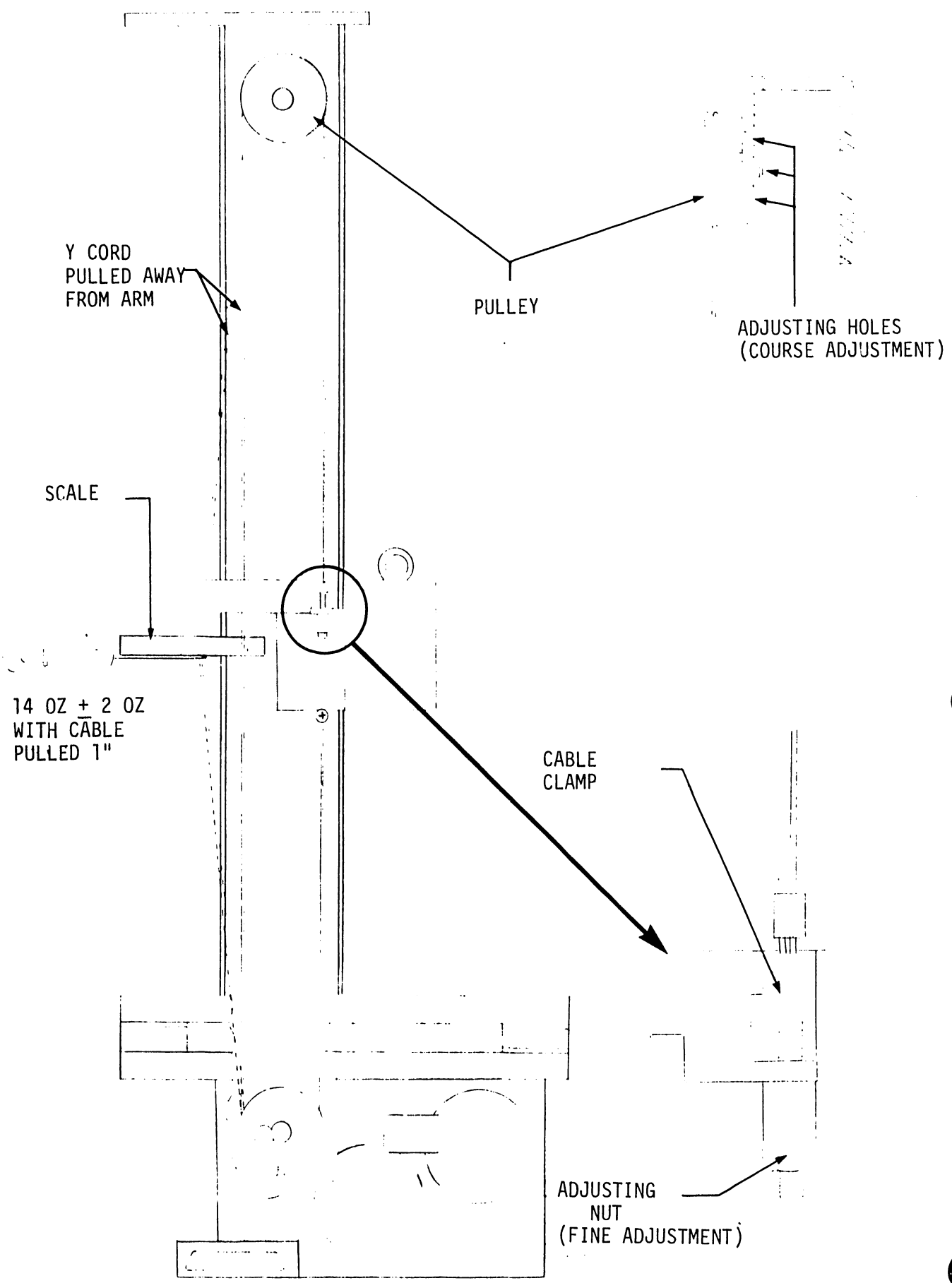


FIGURE 15

CABLE TENSION ADJUSTMENTS

5.15 PHOTOCELL ALIGNMENT

- 1) With the photo actuator pin engaged within the LED/photo cell package there should be a clearance of $.110'' (.279) \pm .015'' (.038)$ from the tip of the actuator pin to the inside edge of the photocell package (See Figure 16).
- 2) If adjustment is required, position the actuator pin so that it is inside the photocell package. Loosen the two locking screws holding the photocell package bracket and move the bracket to the desired location.

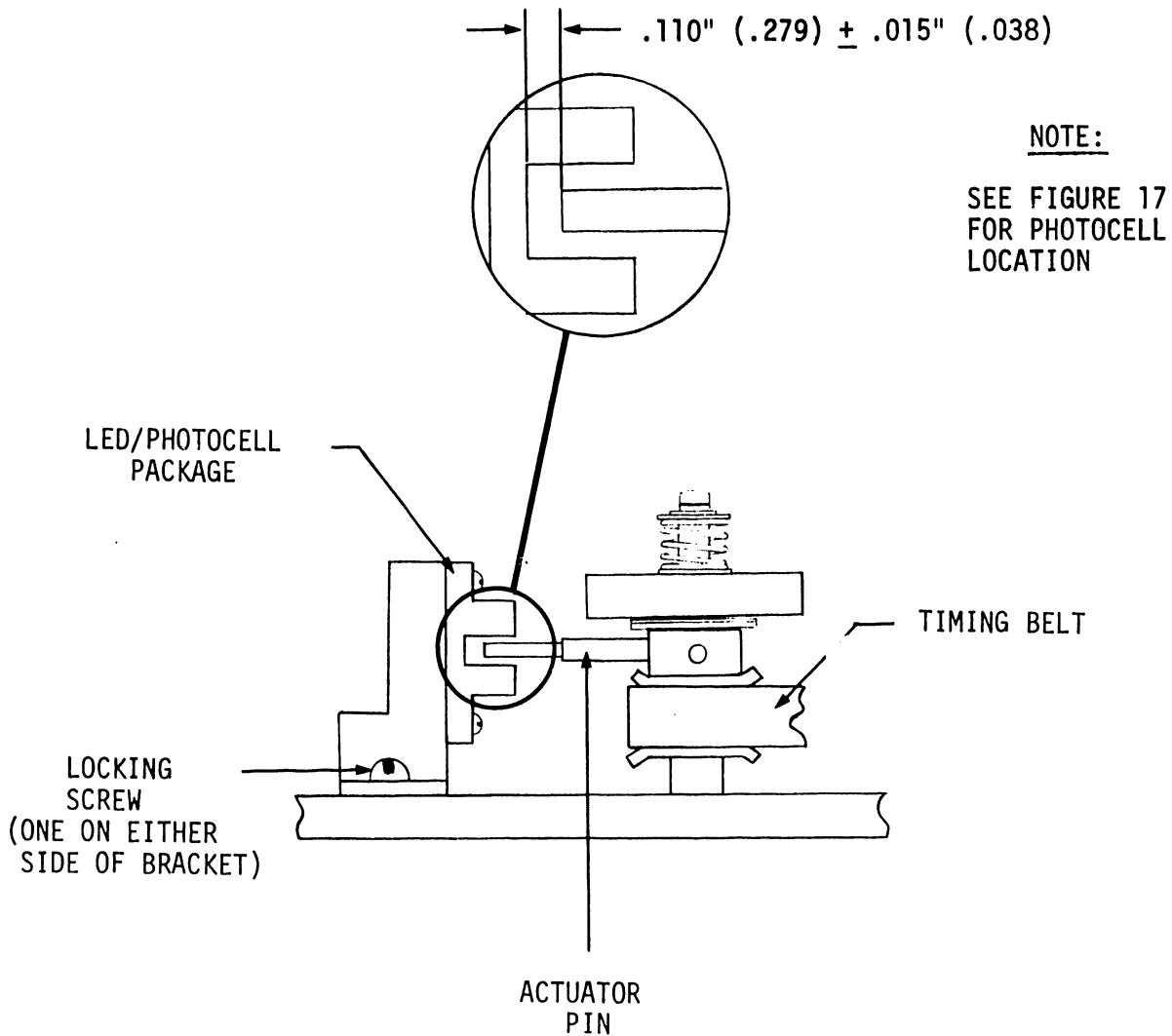


FIGURE 16

LED/PHOTOCELL ALIGNMENT

5.16 HOME POSITION ALIGNMENTS

1) The following is a procedure for aligning Y axis home position. Refer to Figures 17, 18 and 19.

(a) Turn power off.

X & Y TIMING
GEARS

LED PHOTOCELL
PACKAGES

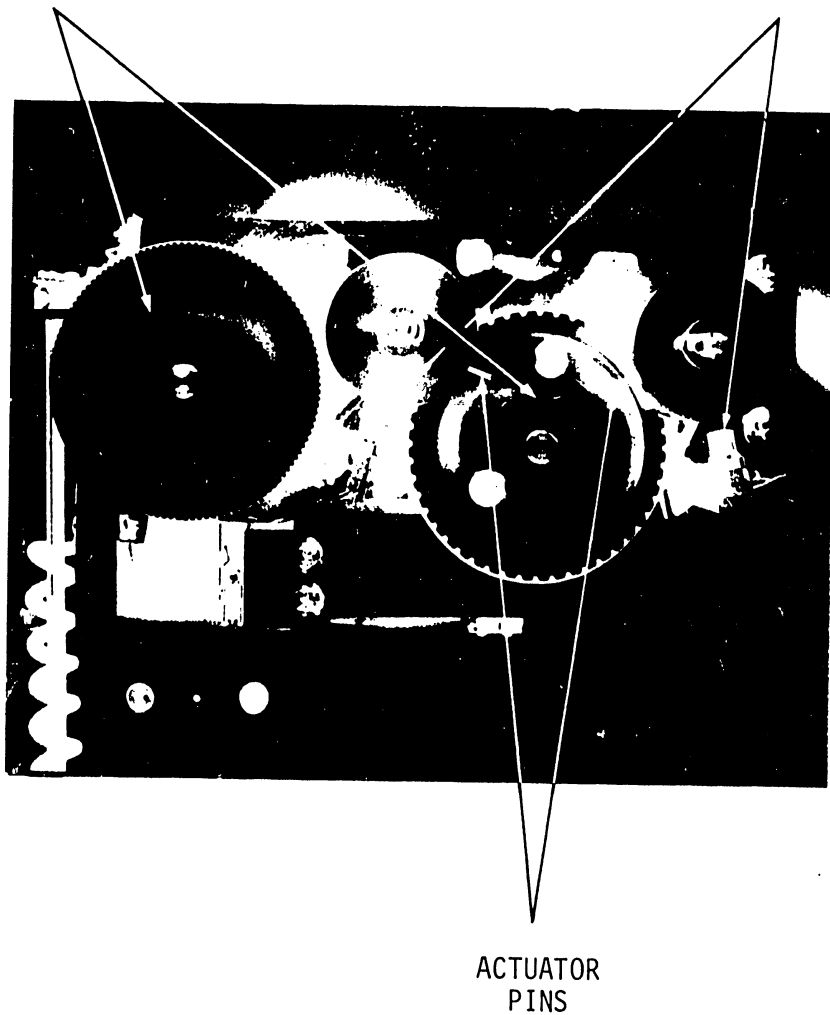


FIGURE 17
HOME POSITION COMPONENT LOCATIONS

- (b) Move pen carrier away from bottom margin.
- (c) Remove timing belt from Y timing gear.
- (d) Move the pen carrier back toward the bottom margin until the Y axis actuator actuates the Y encoder switch (Y SW1).
- (e) Rotate the Y axis actuator pin until it is 90° from engaging the LED/photo cell package.
- (f) Replace the timing belt onto the Y timing gear.
- (g) Turn the power on. At this time the Model 32A should go to the home position. See step (h) below to check alignment.

NOTE:

Due to bright lighting in some offices, the photo-cells may not work properly. In such cases, replace the motor cover before turning power back on. This allows normal reset.

- (h) With the carrier and the Y arm in the home position, the actuator pins should be inside the LED/photocell packages. See Figure 19.
- 2) The following is a procedure for aligning the X axis home position. Use Figures 17, 18 and 19 for reference.
- (a) Turn power off.
 - (b) Move Y arm away from left margin.
 - (c) Remove black timing belt from X timing gear.
 - (d) Move Y arm towards left margin until left margin stop (See Figure 20) actuates left X encoder switch (X SW1).

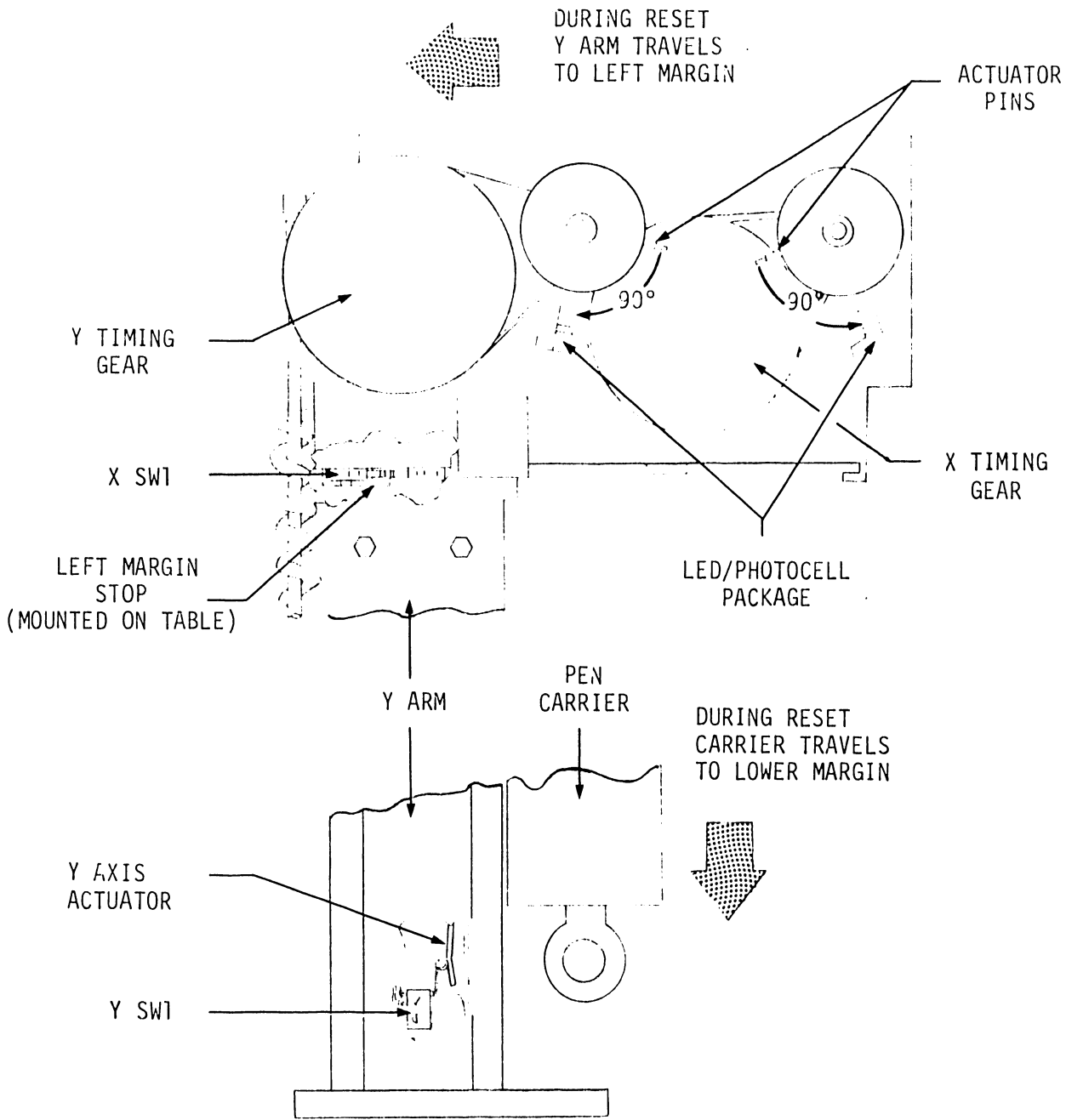


FIGURE 18
HOME POSITION ALIGNMENT

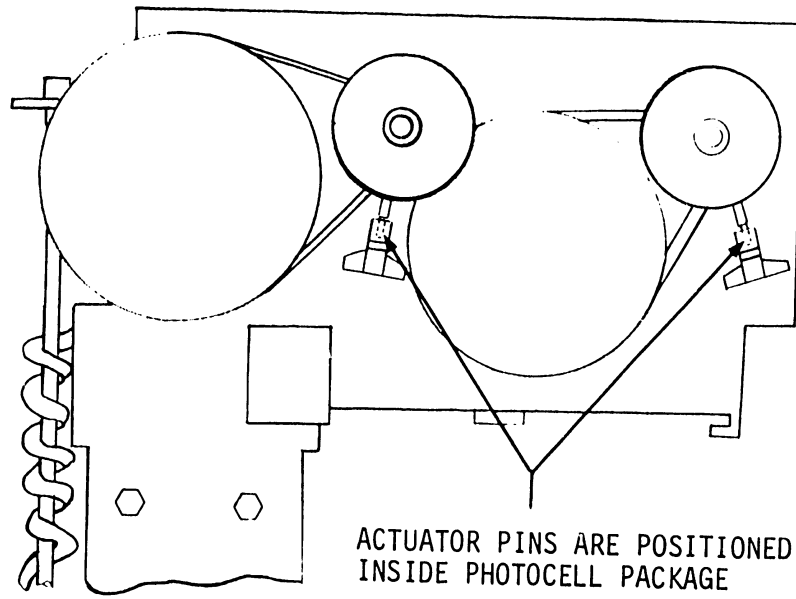


FIGURE 19
ACTUATOR PINS WHILE IN HOME POSITION

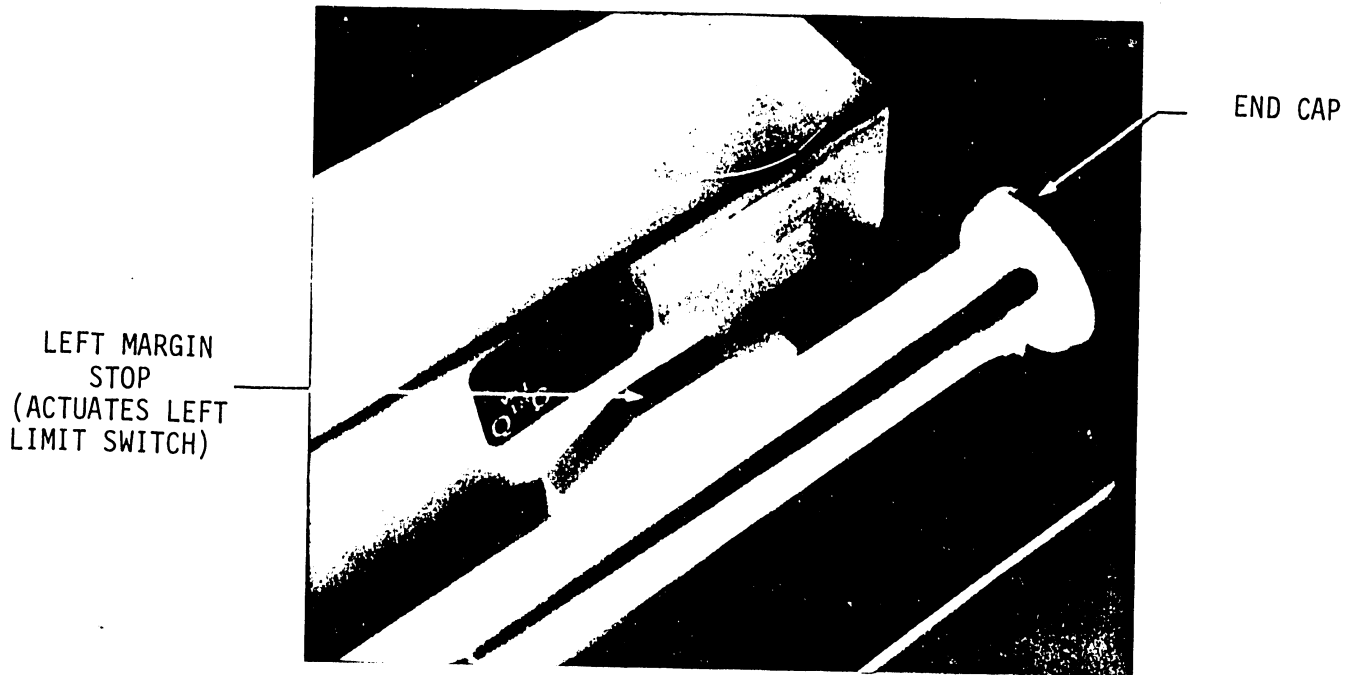


FIGURE 20
LEFT MARGIN STOP AND END CAP LOCATION

5.17 Y ARM REMOVAL AND REPLACEMENT

- 1) To remove the Y arm from the new table:
 - (a) Turn power off on the package and disconnect the Y arm cable.
 - (b) Remove end cap on X shaft.
 - (c) Remove stop bracket located at end of X axis runner (See Fig 21).
 - (d) Slowly slide arm and casting down to end of table (home position).
- 2) To remove the Y arm from the old table, follow all steps in 5.17 1) except for step (c). Change to: remove reinforcing bracket that runs the length of the Y axis at the end of table (home position) by removing the three thumb screws on inside edge of reinforcing bracket.
- 3) To replace the Y arm, reverse the procedures in 5.17 1) or 2). When completed, see Section 5.16 to realign the X home position. This is necessary since the pinion gear is moved with respect to the left margin.

STOP BRACKET

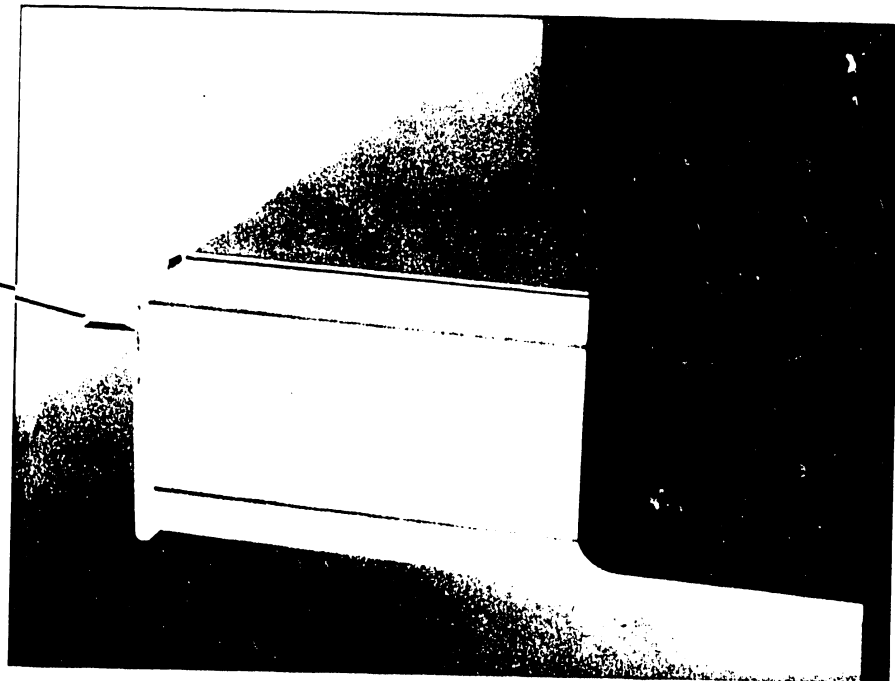


FIGURE 21

5.18 Y ARM AND TABLE COMPATIBILITY

When replacing a Y arm on a table, insure that the Y arm mount casting is the correct size for the table.

CONDITIONS

- 1) If the table is of honeycomb construction, a Y arm with a large casting must be used.
- 2) If the table is not of honeycomb construction, a Y arm with a small casting must be used.

The Y arm casting is increased in thickness for the larger honeycomb table. The honeycomb table can be identified by its light green plotting surface and thin construction.

5.19 Y ARM ECCENTRIC (See Figure 22)

Located on the reverse side of the Y arm casting are a guide pad and nylon roller mounted on an eccentric. The roller should be adjusted so that minimum line separation and oscillation are present. The roller controls the weight distribution of the Y arm.

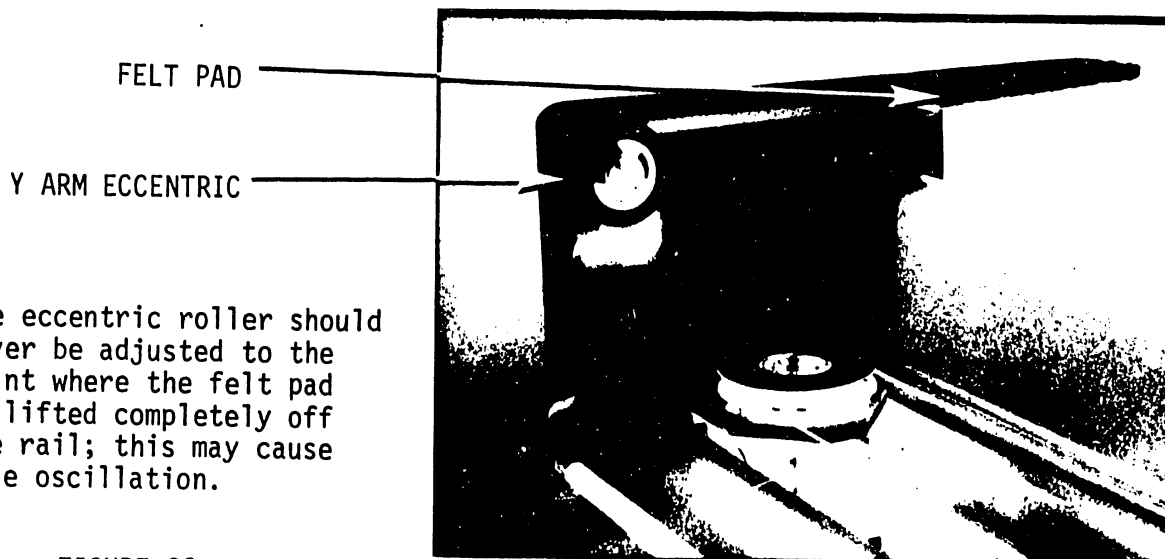


FIGURE 22

6. ELECTRICAL ADJUSTMENTS - See *Service Bulletin 44*.

7. ACCESSORIES OF THE MODEL 32A

The following accessories are enclosed with each plotter:

- 1) Pen stand
- 2) Ball point pen housing
- 3) Ink pen housing
- 4) Fiber tip pen housing
- 5) Black ball point pen
- *6) Plotting point pen MARS 757-PL3-C3
- 7) Package of 5 black fiber tip pens
- 8) 8 oz. bottle blank ink MARS 747-25T
- 9) 8 oz. bottle pen cleaner MARS 746-25
- 10) 6 magnets and plates

Paper Recommendations

- 1) Tracing paper - 100% rag vellum
- 2) Mylar - Formulated for ink
- 3) Acetate - Treated for ink

*The MARS pen is the only pen that will fit the ink pen housing.

Ink Recommendations

- 1) For paper - Waterproof ink #745-9
Source - J.E. Staedler, Montville, NJ
- 2) For mylar and acetate - Waterproof ink #747-T
Source - Same as above.

8. DIAGNOSTICS - See *Service Bulletin 44*.
9. PREVENTIVE MAINTENANCE PROCEDURES - See *Service Bulletin 44*.
10. CONVERSION FROM MODEL 32 TO 32A

The following is the procedure when replacing an old carrier assembly with the new style.

- 1) Remove Y arm from table as per Section 5.17.
- 2) Remove locking nuts and tension screw from front of carrier assembly (screw is connected to cable).
- 3) Remove end screw located at rear of carrier assembly (screw is connected to cable).
- 4) Position the ends of the cable so that the cable will not unwind from the drum (keep equal tension on both ends).
- 5) Remove guide rod located next to and parallel to the Y arm.
- 6) Remove Y arm mount casting.
- 7) Remove bakelite cover of Y arm.
- 8) Remove end pulley and bracket together.
- 9) Remove carrier assembly.

- 10) Two holes must be drilled in the Y arm for access to the eccentrics used to mount the new carrier assembly. Refer to Figure 23 for dimensions. The holes must be $5/16"$ (.79 cm) or larger. The first center is located 3.5" (8.89 cm) from the end of the Y arm. The next center is 3.81" (9.68 cm) from the first. Both centers are .56" (1.42 cm) from the center line of the Y arm.
- 11) Install new carrier assembly.
- 12) Tighten the two eccentric controlled roller bearings against the guide bar.
- 13) Adjust preload bearing tension to 2 lbs \pm 1/4 lb. Refer to Figure 24.
- 14) Reverse procedure from step 8.
- 15) To replace Y arm on table, see Section 5.17.

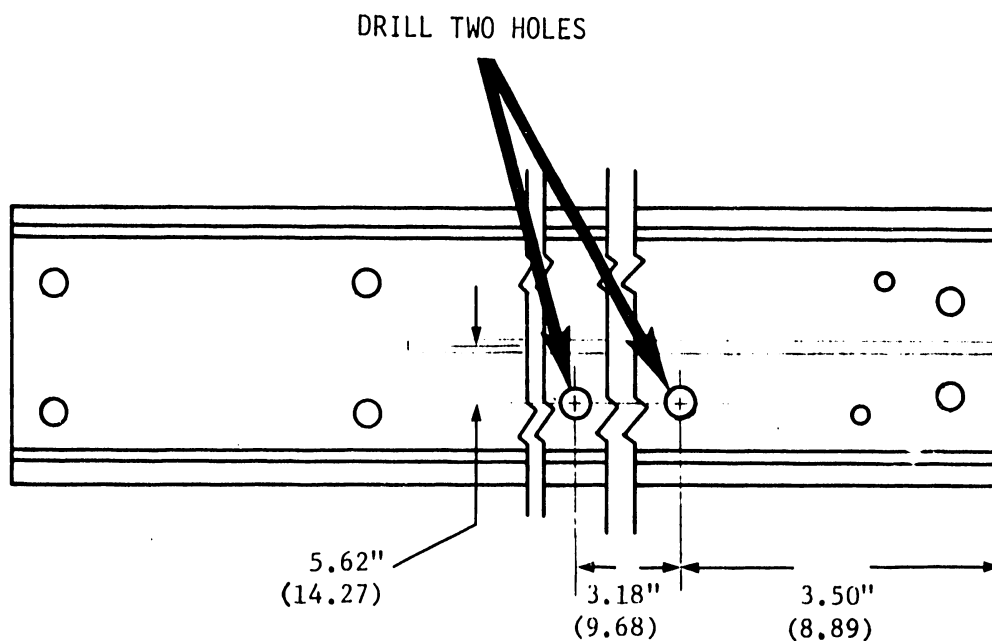
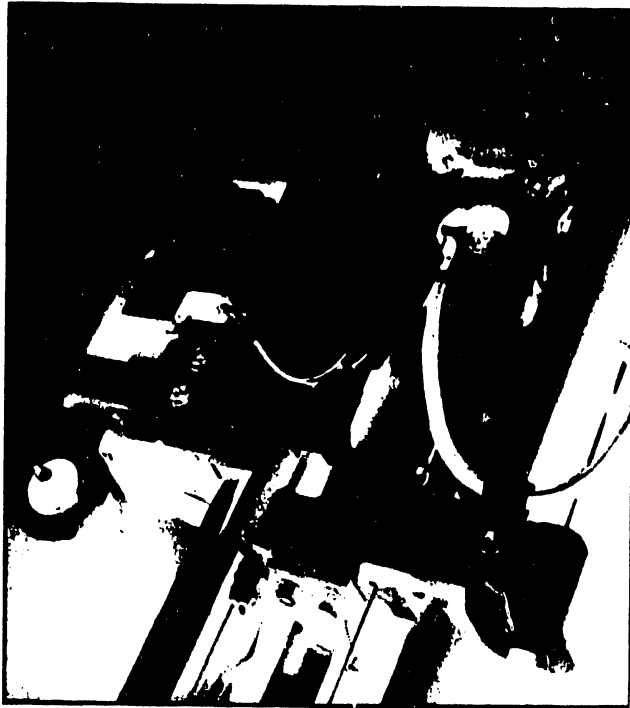


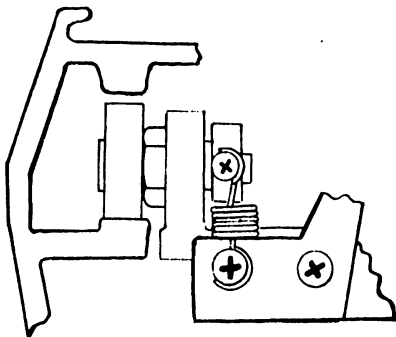
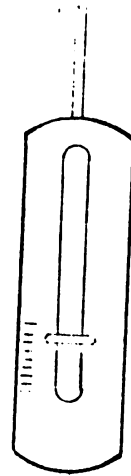
FIGURE 23



ADJUSTING
SCREW

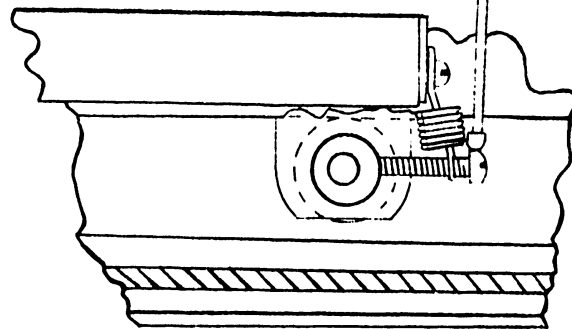
BEARING
AND
ROLLER

SCREW SHOULD
JUST MOVE AT
2 LBS \pm 4 OZS



ECCENTRIC
STUD

LOAD
SPRING



COLLAR

ADJUSTING
SCREW

FIGURE 24

MODELS 2232A AND 2232B - DIFFERENCES

The stepping logic in the Model 2232A Digital Flatbed Plotter has been redesigned to improve plotting resolution. The improved version of this plotter is designated 2232B. It is important to note that the 2232B is not a simple engineering change, but a complete electronic redesign of the 2232A. Also note that the 2232B has a slower reset speed than the 2232A, yet the plotting speed is unchanged.

The A and B versions of the Model 2232 differ only electronically. The 6289 and 6337 PCBs of the A version were replaced by 7089 and 7088, respectively, in the B version. These pc board pairs must not be mixed.

NOTE:

A customer having a Model A plotter should continue to use the Model A electronics unless a conversion is made through the sales division.

11. MODEL 32 AND 32A ASSEMBLY DRAWINGS

All assembly drawings for both plotters are contained in this section. Refer to Figures 25 and 26 for the breakdown of the drawings. The base number for Model 32 drawings is 6403-XX and the 32A number is 6617-XX. The drawings are reproduced to help identify mechanical parts for ordering purposes.

The following is the order in which the assembly drawings are arranged in this section:

DRAWING #	MODEL	PAGE
E6403-225	32	33
E6403-223	32	34
E6403-224 sheet 1 of 2	32	35
D6403-224 sheet 2 of 2	32	36
D6403-219	32	37
C6403-222	32	38
C6403-221	32/32A	39
E6403-215	32/32A	40
B6403-211	32/32A	41
B6403-209	32/32A	42
B6403-212	32/32A	43
C6403-184	32/32A	44
B6403-162	32/32A	45
B6403-210	32/32A	46
B6403-218	32/32A	47
E6617-67	32A	48
E6617-56	32A	49
E6617-66 sheet 1 of 2	32A	50
D6617-66 sheet 2 of 2	32A	51
D6617-61	32A	52
C6617-65	32A	53
D6617-53	32A	54
C6617-52	32A	55
B6617-57	32A	56
D6617-54	32A	57
C6617-51	32A	58
D6617-55	32A	59

MODEL 32 ASSEMBLY DRAWINGS

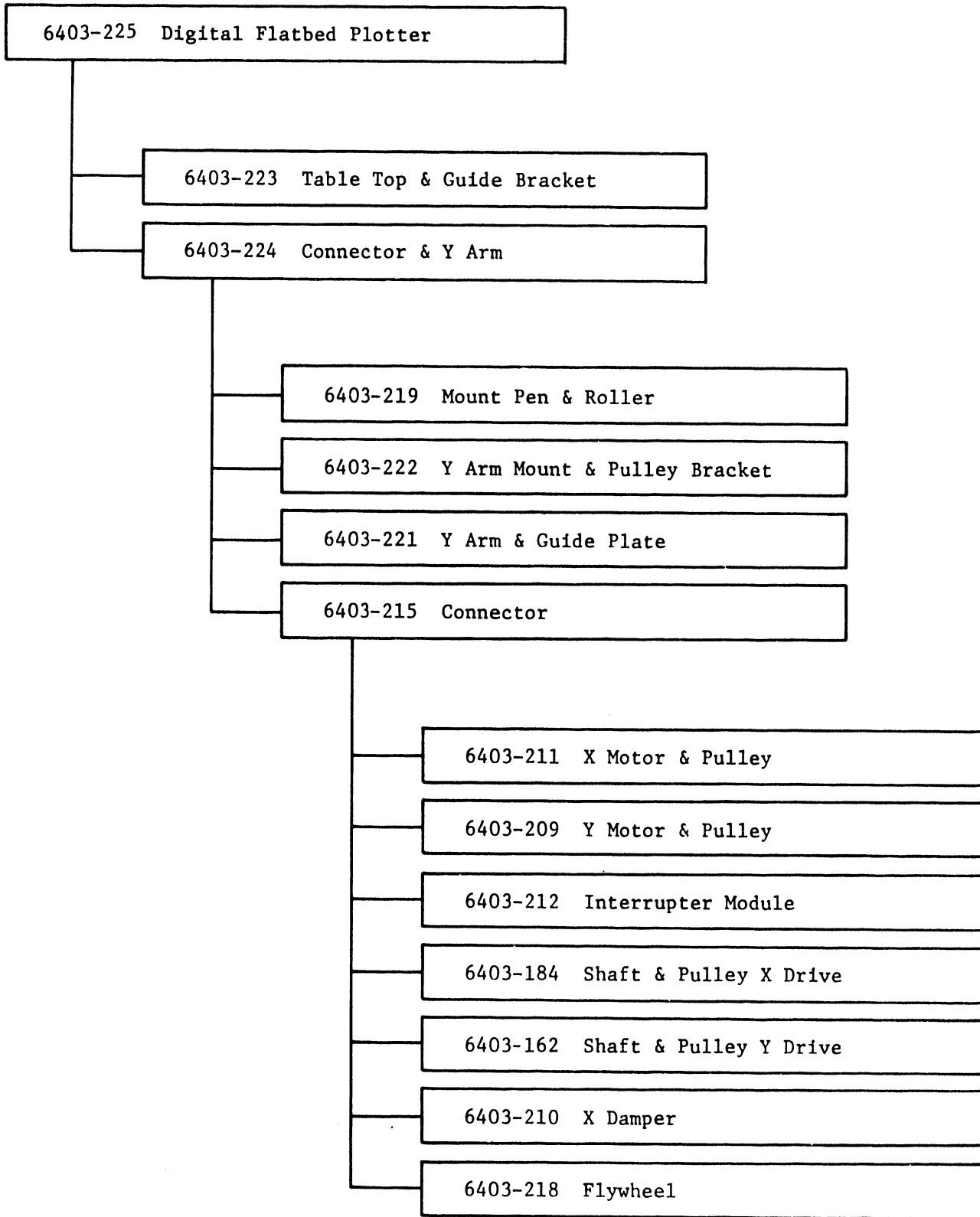


FIGURE 25

MODEL 32A ASSEMBLY DRAWINGS

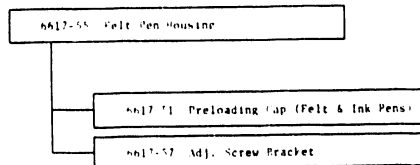
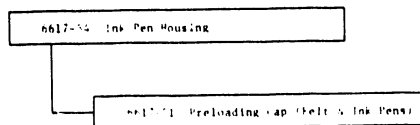
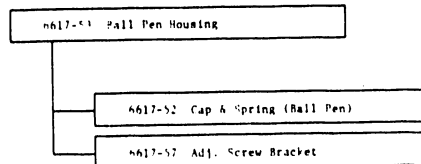
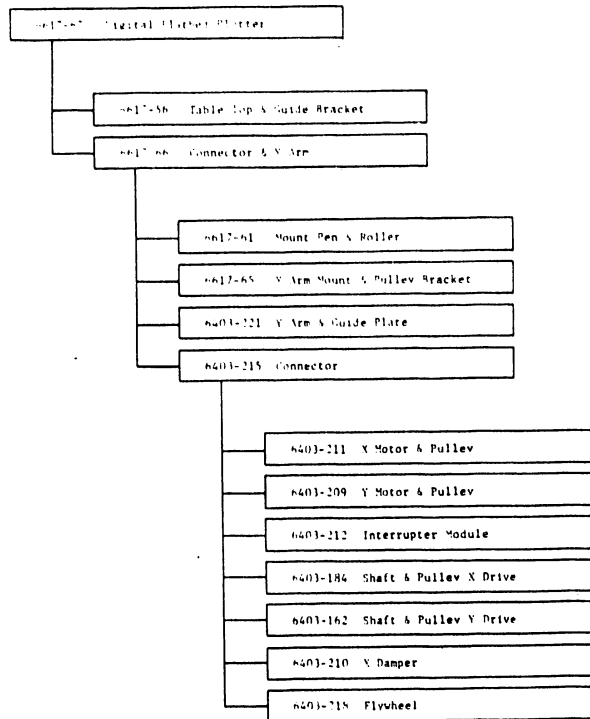
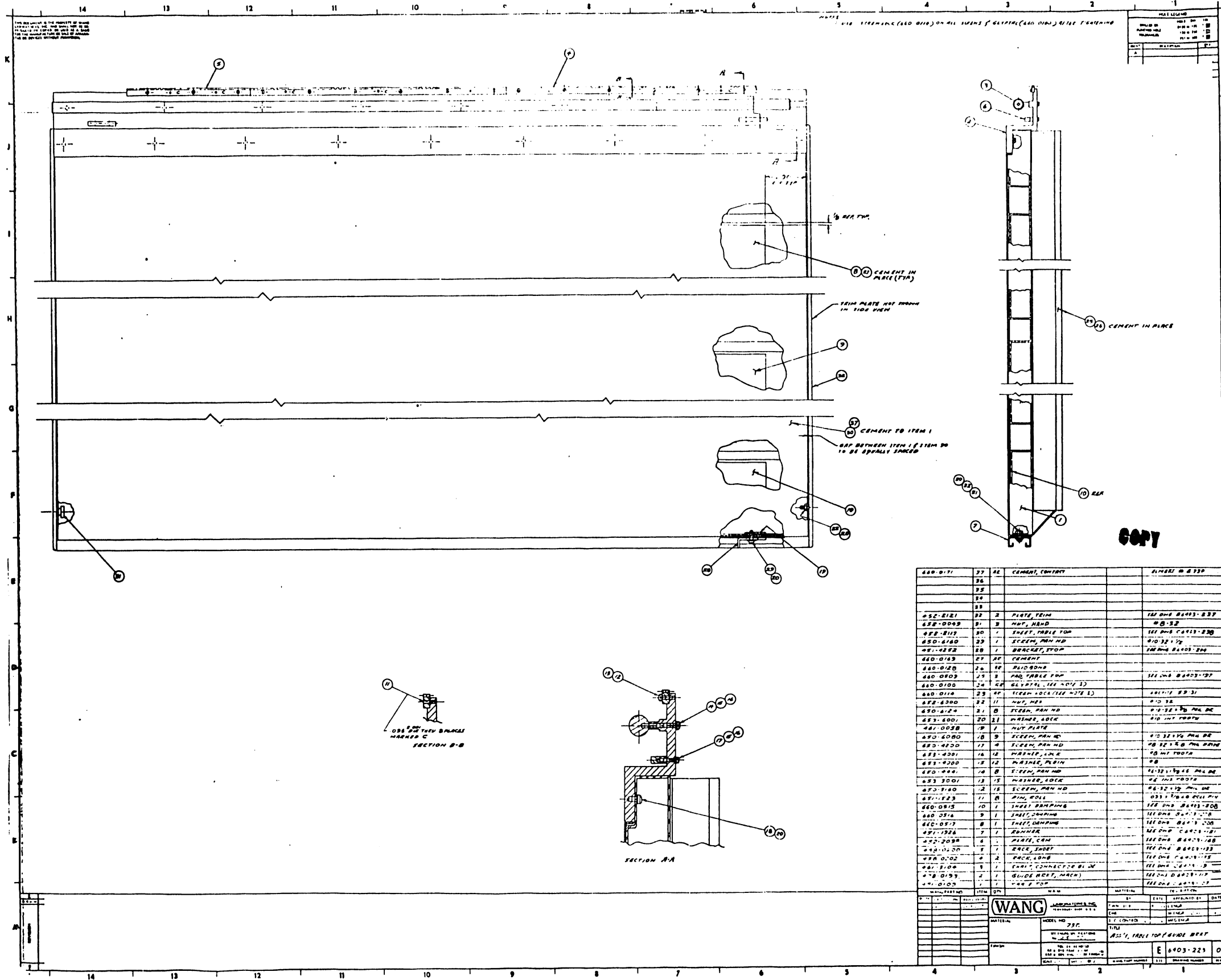
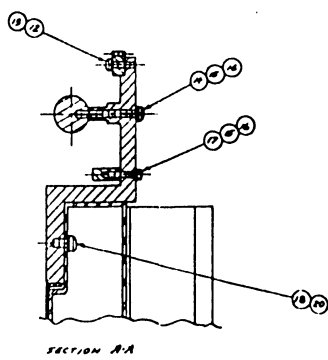
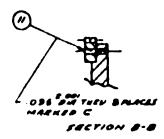


FIGURE 26



NO.	DESCRIPTION	QTY.
1		
2		
3		
4		
5		
6		
7		
8		
9		
10		
11		
12		
13		
14		



ITEM NO.	QTY.	DESCRIPTION	REFERENCE
440-0171	37	CEMENT, CONCRETE	ALUMINUM B 230
440-0172	26		
440-0173	20		
440-0174	20		
440-0175	20		
440-0176	20		
440-0177	20		
440-0178	20		
440-0179	20		
440-0180	20		
440-0181	20		
440-0182	20		
440-0183	20		
440-0184	20		
440-0185	20		
440-0186	20		
440-0187	20		
440-0188	20		
440-0189	20		
440-0190	20		
440-0191	20		
440-0192	20		
440-0193	20		
440-0194	20		
440-0195	20		
440-0196	20		
440-0197	20		
440-0198	20		
440-0199	20		
440-0200	20		
440-0201	20		
440-0202	20		
440-0203	20		
440-0204	20		
440-0205	20		
440-0206	20		
440-0207	20		
440-0208	20		
440-0209	20		
440-0210	20		
440-0211	20		
440-0212	20		
440-0213	20		
440-0214	20		
440-0215	20		
440-0216	20		
440-0217	20		
440-0218	20		
440-0219	20		
440-0220	20		

WANG

MODEL NO. 230

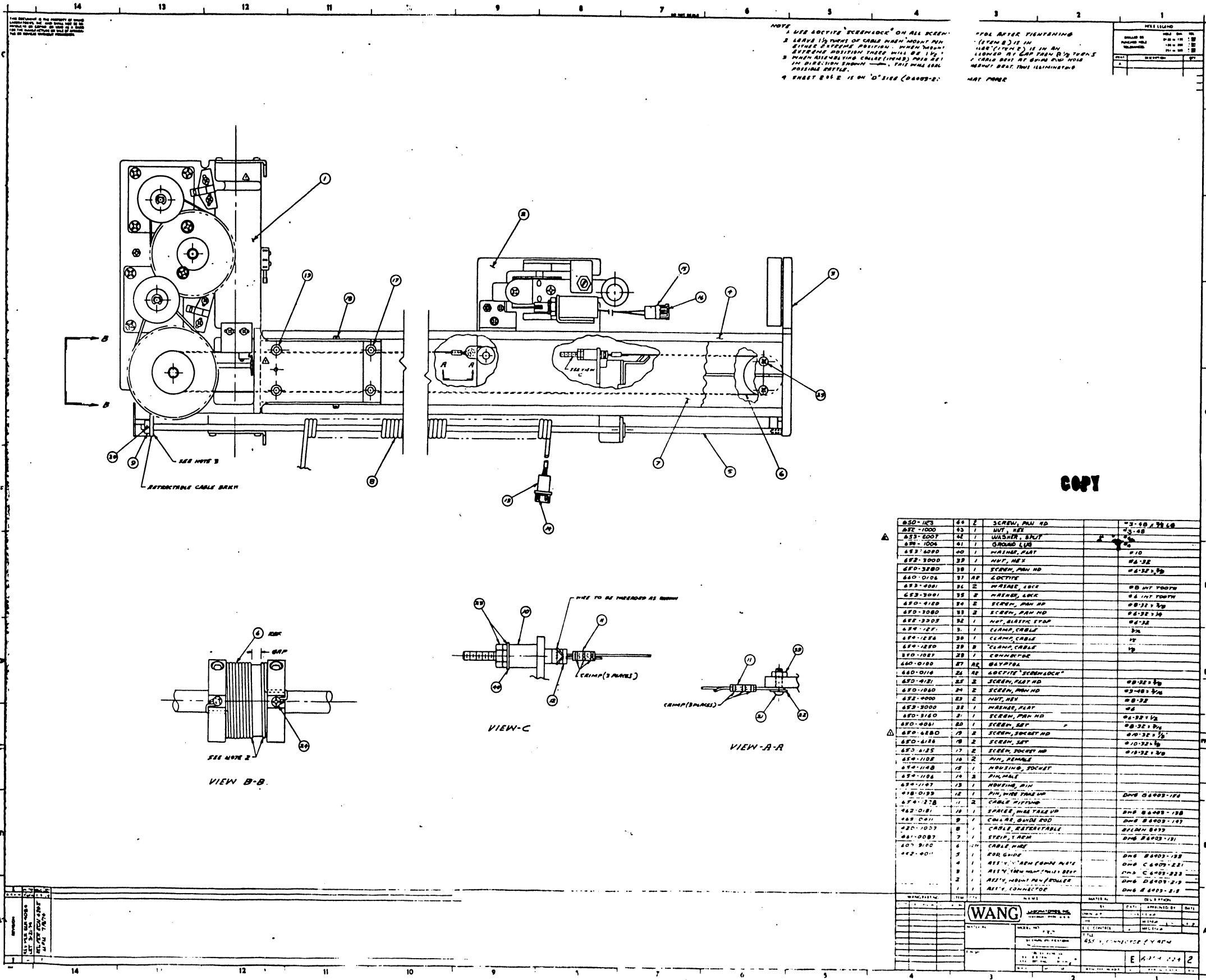
TABLE TOP & BRACKET

DATE: 1954-11-10

BY: [Signature]

APPROVED BY: [Signature]

NO. 6403-225 0



COPY

QTY	DESCRIPTION	UNIT	REVISION
40	SCREW, PAN HD	#2-20 x 1/4	
13	WASHER, SPR	#2-20	
42	WASHER, SPR	#2-20	
41	GROUND LUG	#2	
40	WASHER, FLAT	#10	
39	NUT, HEX	#6-32	
38	SCREW, PAN HD	#6-32 x 1/2	
37	SCREW, PAN HD	#6-32 x 1/2	
36	WASHER, LOCK	#8 INT TIGHT	
35	WASHER, LOCK	#8 INT TIGHT	
34	SCREW, PAN HD	#8-32 x 1/2	
33	SCREW, PAN HD	#8-32 x 1/2	
32	NUT, PLASTIC STAP	#4-32	
31	CLAMP, CABLE	#2	
30	CLAMP, CABLE	#2	
29	CLAMP, CABLE	#2	
28	CONNECTOR	#2	
27	WASHER, FLAT	#2	
26	SCREW, PAN HD	#2-20 x 1/4	
25	SCREW, PAN HD	#2-20 x 1/4	
24	WASHER, FLAT	#2	
23	SCREW, PAN HD	#2-20 x 1/4	
22	WASHER, FLAT	#2	
21	SCREW, PAN HD	#2-20 x 1/4	
20	SCREW, SET	#2-20 x 1/4	
19	SCREW, SOCKET HD	#2-20 x 1/4	
18	SCREW, SET	#2-20 x 1/4	
17	SCREW, SOCKET HD	#2-20 x 1/4	
16	PIN, FEMALE	#2-20 x 1/4	
15	SPACER, WAS TUBE UP	#2	
14	SPACER, WAS TUBE UP	#2	
13	SPACER, WAS TUBE UP	#2	
12	CABLE, RETRACTABLE	DWG B-4003-107	
11	CABLE, RETRACTABLE	DWG B-4003-107	
10	STAP, TARM	DWG B-4003-101	
9	CABLE, TARM	DWG B-4003-101	
8	CABLE, TARM	DWG B-4003-101	
7	CABLE, TARM	DWG B-4003-101	
6	CABLE, TARM	DWG B-4003-101	
5	ROB GUIDE	DWG B-4003-102	
4	ROB GUIDE	DWG B-4003-102	
3	ASSEMBLY PART	DWG C-4003-201	
2	ASSEMBLY PART	DWG C-4003-201	
1	ASSEMBLY PART	DWG B-4003-201	

WANG

DATE: 10/1/54

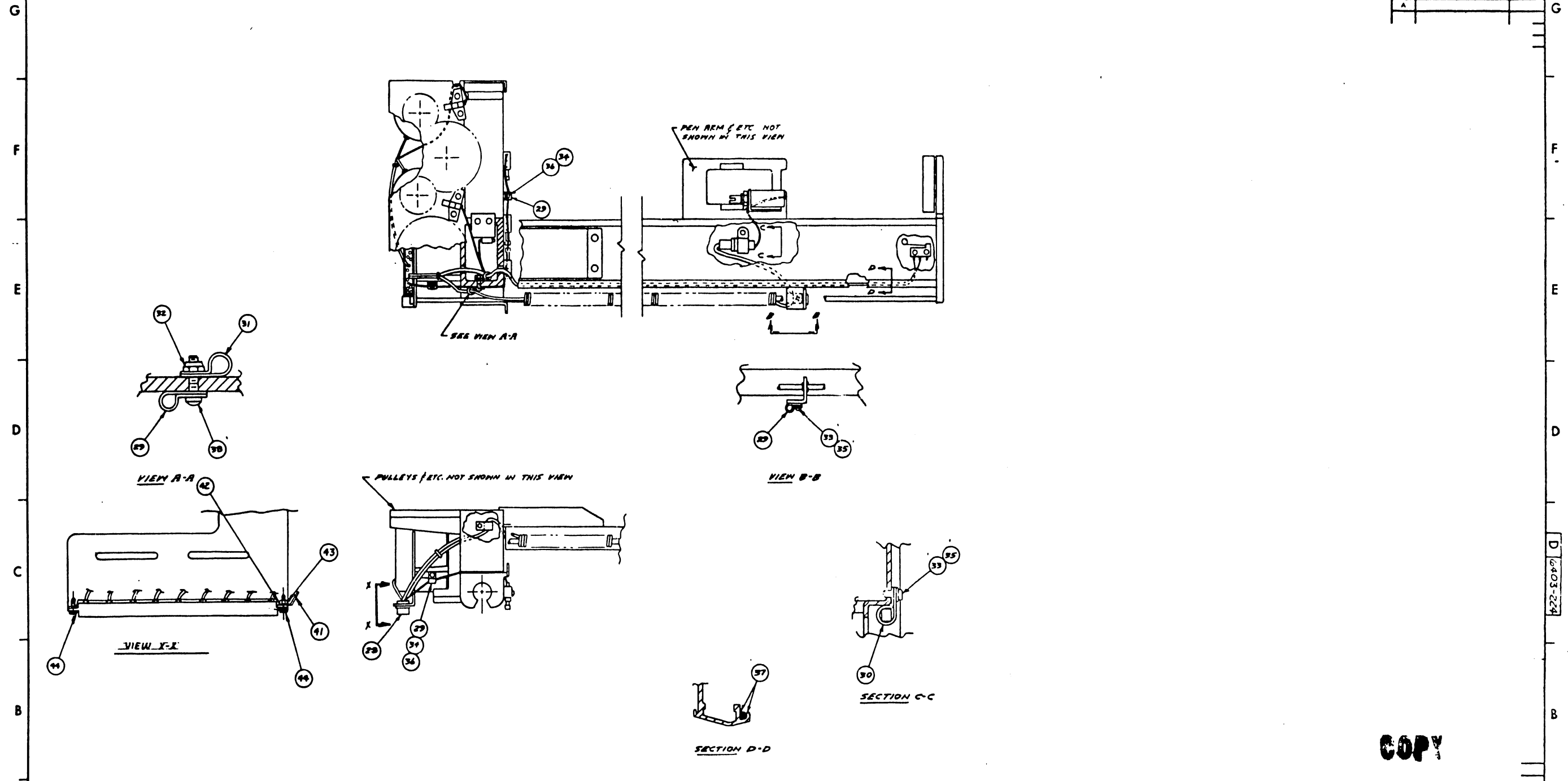
BY: [Signature]

REVISION: 2

THIS DOCUMENT IS THE PROPERTY OF WANG LABORATORIES, INC. AND SHALL NOT BE REPRODUCED OR COPIED OR USED AS A BASIS FOR THE MANUFACTURE OR SALE OF APPARATUS OR DEVICES WITHOUT PERMISSION.

NOTE
 1 USE POSITIVE 'SCREMLOCK' ON ALL SCREWS GLYPTOL AFTER TIGHTENING
 2 SHEET 1062 IS ON 'E' SIZE (86403-224) SIZE FORMAT PAPER

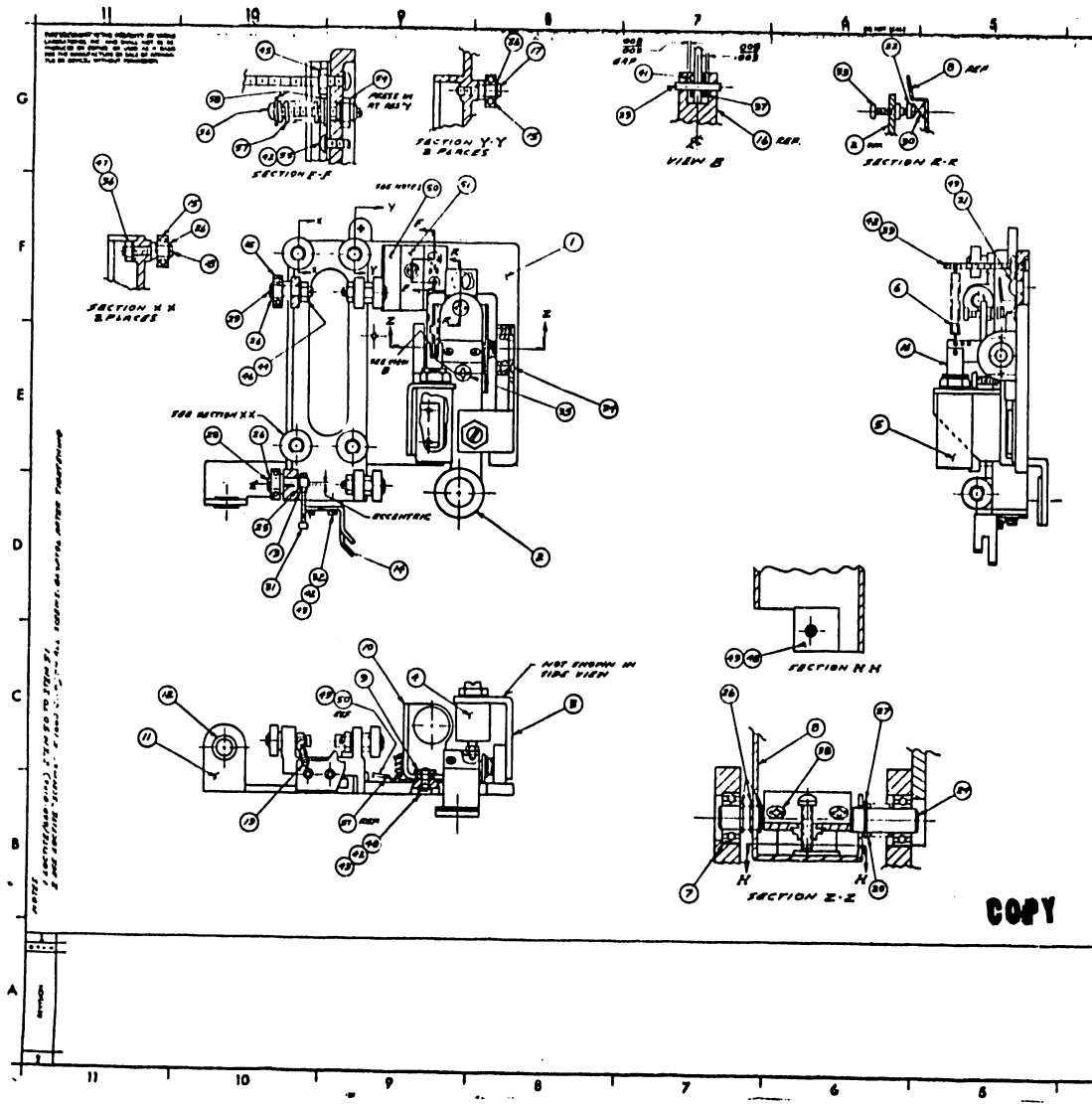
HOLE LEGEND:		
DRAILED HOLE	Ø115 - Ø125	1:50
RANCHED HOLE	125 - 250	1:50
TOLERANCES	251 - 500	1:50
IDENT	DESCRIPTION	QTY
A		



COPY

REV	DATE	DESCRIPTION
1	3-22-70	REVISION NO. 4 SEE E. SIZE DWG. PART 2 OF 2 ON SHEET 1 WGT. 3-21-70 SEE INT. 012-2
2		

WANG PART NO.	ITEM	QTY	NAME	MATERIAL	DESCR PT ON
6403-224	243, 225		WANG LABORATORIES, INC. WASHINGTON, MASS. U.S.A.		
			MODEL NO. 732	TITLE: ASS'Y, CONNECTOR & Y-ARM	
			WE ENG. SPECIFICATION No. ES 1221	D 6403-224 2	
			TOL. IN AS NOTED SEE 2 803 FIG. 2-1-64 IN PART 2 803 AND 2-1-30 FINISH	SCALE: 1-1 SHIT 2 OF 2	
			FINISH	WANG PART NUMBER 1-21 DRAWING NUMBER 111	



QTY	PART NO.	DESCRIPTION	MATERIAL	REMARKS
10	453-4000	WASHER, FLAT		#0
1	465-0084	SPRING, COMP		
1	480-4240	SCREEN, PAN HD	B 37.5x.10	
1	480-3080	SCREEN, PAN HD	44.5x.14.10	
1	482-0044	NUT, HEX	JF-032.2	
NR	480-0100	RAYFOL		
1	460-0116	LOC TIE, 'SCREEN LOCK'		
1	465-0085	SPRING, BRAKE	DMS B403-314	
1	460-0521	THRO' BRK	DMS B403-317	
NR	460-0114	LOC TIE		
1	460-0114	FRD. ALIGNMENT SCREEN	SEE DMS B403-307	
2	462-1009	WASHER, LOCK	1/4 INT T007H	
2	462-4001	WASHER, LOCK	1/8 INT T007H	
1	462-1000	NUT, HEX	1/4-32	
2	462-4000	NUT, HEX	1/4-32	
2	462-3000	WASHER, FLAT	1/4	
2	462-3001	WASHER, LOCK	1/4	
1	462-1001	WASHER, FLAT	1/4	
2	460-3140	SCREEN, PAN HD	44.5x.12.10	
1	460-3222	SCREEN, PAN HD	44.5x.11.10	
2	460-3122	SCREEN, FLAT HD	44.5x.10.10	
2	462-0107	WASHER, SHIM	1/4x.10.1.005	
2	462-0045	NUT, HEX	1/4-32	
1	460-4200	SCREEN, PAN HD	44.5x.10.10	
2	460-3121	SCREEN, FLAT HD	44.5x.10.10	
2	460-4230	SCREEN, SOC HD CAP	44.5x.10.10	
1	460-3145	SCREEN, SOC HD CAP	44.5x.10.10	
1	462-0222	SPRING, PEN/INK PRESS	SEE DMS B403-302	
2	478-0204	STUD, BR	SEE DMS B403-171	
2	478-0104	STUD, BR, TRACE UP	SEE DMS B403-122	
1	461-1719	RING, SHAP	1/4x.10.10	
11	461-1727	RING, SHAP	1/4x.10.10	
1	461-1712	RING, SHAP	1/4x.10.10	
1	461-3107	SHAP, PEN ARM	SEE DMS B403-180	
1	461-1523	ROLL PIN	1/16x.10.10	
1	462-0022	NUT, HEX	1/4-32	
1	465-0211	BUMPER, RUBBER		
1	465-0380	SPRING, COMP		
1	465-0378	SPRING, EXTENSION		
2	478-0201	STUD, BR (UNDER BRG)	SEE DMS B403-143	
2	478-0202	STUD, BR (UNDER BRG)	SEE DMS B403-146	
1	320-1102	PLUNGER, SOLENOID	SEE DMS B403-5	
2	465-0009	BEARING, BALL	1/4x.10.10	
1	461-4212	BEAR ACTUATOR	SEE DMS C403-182	
1	462-0009	COLLAR		
1	462-0108	WASHER, NYLONIC	TYPE 7 5/8x.10	
1	461-4212	BEAR ACTUATOR	SEE DMS C403-180	
1	461-4213	SOLENOID BRACKET	SEE DMS B403-140	
1	461-0052	NUT, PLATE	SEE DMS B374-250	
1	461-0203	ARM, PEN ACTUATOR	SEE DMS C403-177	
2	465-0010	BEARING, BALL	1/4x.10.10	
1	465-0321	SPRING, EXTENSION	1/4x.10.10	
1	460-1006	SOLENOID		
1	465-0222	DRAIN PNT		
1	461-4214	BEAR ACTUATOR NYLON	SEE DMS B403-172	
1	461-0052	NUT, PEN ARM	SEE DMS B403-231	
1	460-0091	WASHER, PEN/INK PRESS	SEE DMS B403-14	

WANG

MODEL NO. 232

TITLE: PEN, MOUNT PEN ROLLER

DWG NO. D 6903-219

DATE: 12/15/55

BY: [Signature]

CHECKED: [Signature]

APPROVED: [Signature]

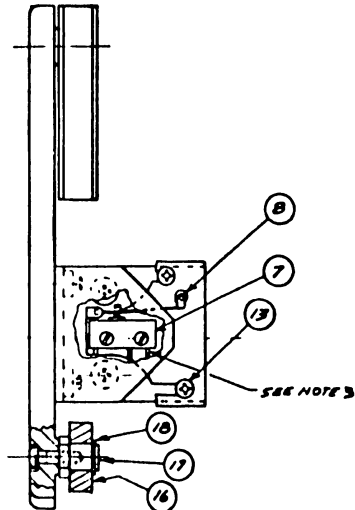
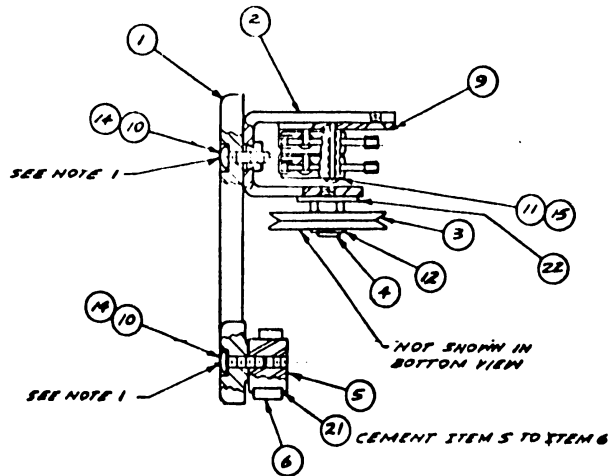
THIS DOCUMENT IS THE PROPERTY OF WANG LABORATORIES, INC. AND SHALL NOT BE REPRODUCED OR COPIED, OR USED AS A BASIS FOR THE MANUFACTURE OR SALE OF APPARATUS OR DEVICES WITHOUT PERMISSION.

50 NOT KAN

- NOTE**
1. RUBBER BUMPER REMOVED FROM PANEL SCREENS
 2. USE LOCTITE "SCREENLOCK" ON ALL SCREENS GLYPOL AFTER TIGHTENING
 3. MICRO SWITCH TERMINALS TO BE POSITIONED AS SHOWN

HOLE LEGEND		
DRIILLED OR PUNCHED HOLE TOLERANCES:	HOLE DIA.	TOL.
	0.125 to 1.25	± .005
	1.26 to 2.50	± .006
	2.51 to 5.00	± .008

IDENT	DESCRIPTION	QTY
A		



COPY

653-6018	22	1	WASHER	3/16 ID X 3/4 OD X 1/16 THK
660-0106	21	AR	LOCTITE	
660-0100	20	AR	GLYPOL	
660-0114	19	AR	LOCTITE "SCREENLOCK"	
651-1732	18	1	RING, RESTRAINING	TEUARC 5133-31
461-3127	17	1	STUD, ROLLER	SEE DNG B 6403-213
461-3128	16	1	ROLLER, MOUNT YARM	SEE DNG B 6403-214
653-0990	15	2	WASHER, LOCK	#2 INT TOOTH
653-9001	14	4	WASHER, LOCK	#8 INT TOOTH
650-2082	13	2	SCREW, FLAT HD	#4-40 X 1/4 LG
651-1727	12	1	RING, CRESCENT	5103-25
650-0200	11	2	SCREW, PAN HD.	#2-56 X 5/8 LG
650-4167	10	4	SCREW, PANEL	#8-32 X 1/2 LG
452-2097	9	1	PLATE, SWITCH MTG	SEE DNG B 6403-143
325-9044	8	2	ACTUATOR	JS-246
325-2307	7	2	SWITCH	BURGESS V4T-7
660-0512	6	1	PAD, GLIDE	SEE DNG. B 6403-200
461-1525	5	1	GLIDE, YARM	SEE DNG B 6403-143
478-0198	4	1	STUD, PULLEY	SEE DNG B 6403-153
	3	1	ASS'Y, PULLEY BRG.	SEE DNG B 6403-172
451-4218	2	1	BRKT, PULLEY MTG	SEE DNG C 6403-183
450-0032	1	1	ASMT, YARM MACHINING	SEE DNG C 6403-120

REV	DATE	DESCRIPTION

QTY	FIRST USED ON	ASST USED ON	WANG PART NO	ITEM	QTY	NAME	MATERIAL	DESCRIPTION
1	6403-222	6403-222						

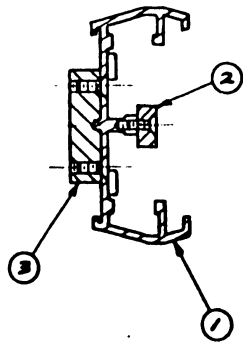
WANG LABORATORIES, INC. <small>INCORPORATED IN U.S.A.</small>		BY	DATE	APPROVED BY	DATE
MATERIAL	MODEL NO	DWN HT	6/18/54	E ENGR	
	732	CHR		M ENGR	
	WE ENGR SPECIFICATIONS No. 65-1551	E C CONTROL EN		MFG ENGR	
FINISH	TOL. EX. AS NOTED KH ± .010 FRAC ± 1/64 KX ± .005 ANG ± 1'30" FINISH ✓	TITLE		ASS'Y, YARM MOUNT PULLEY BRKT	
	SCALE 1/1	WANG PART NUMBER	C	6403-222	0
	SH 1 OF 1	SIZE		DRAWING NUMBER	REV

38

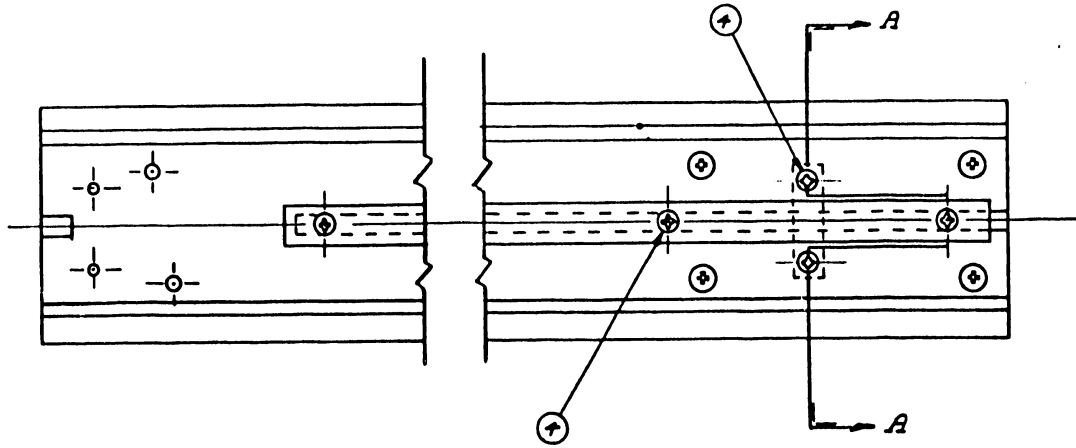
THIS DOCUMENT IS THE PROPERTY OF WANG LABORATORIES, INC. AND SHALL NOT BE REPRODUCED OR COPIED OR USED AS A BASIS FOR THE MANUFACTURE OR SALE OF APPARATUS OR DEVICES WITHOUT PERMISSION.

NOTE
1 USE LOCTITE 'SCREW LOCK' ON ALL SCREWS
GLYPTOL AFTER TIGHTENING

HOLE LEGEND			
DRAILED OR	HOLE DIA.	TOL.	
PUNCHED HOLES	0.125 to 1.75	± .005	
TOLERANCES	1.75 to 2.50	± .005	
	2.51 to 5.00	± .01	
IDENT	DESCRIPTION	QTY	
A			



SECTION A-A



COPY

660-0100	6	AR	GLYPTOL	
660-0114	5	AR	LOCTITE, 'SCREW LOCK'	
650-3121	4	13	SCREW, FLAT HD	#6-32 x 3/8 LG.
452-2034	3	1	PLATE, ADJUSTMENT	SEE DWG B 6403-146
461-0083	2	1	GUIDE PLATE	SEE DWG B 6403-140
478-0132	1	1	ARM, Y MACHINING	SEE DWG D-6403-110

REV	DATE	DESCRIPTION	WANG PART NO		ITEM	QTY	NAME	MATERIAL	DESCRIPTION																																												
			1	2/14/53	224	6403-221																																															
REVISION			<table border="1"> <tr> <td>BY</td> <td>DATE</td> <td>APPROVED BY</td> <td>DATE</td> </tr> <tr> <td>DWN AT</td> <td>3/7/53</td> <td>E INGR</td> <td></td> </tr> <tr> <td>CHK</td> <td></td> <td>M INGR</td> <td>2/27/54</td> </tr> <tr> <td colspan="2">E C CONTROL</td> <td>M INGR</td> <td></td> </tr> <tr> <td colspan="4">TITLE</td> </tr> <tr> <td colspan="4">ASS'Y, Y ARM, GUIDE PLATE</td> </tr> <tr> <td colspan="4">FINISH</td> </tr> <tr> <td colspan="4">TOL ER AS NOTED</td> </tr> <tr> <td colspan="4">HR & DR FRAC & 1/64</td> </tr> <tr> <td colspan="4">R&R & DR ANG & 1'30' FINISH V</td> </tr> <tr> <td>SCALE</td> <td>1/1</td> <td>SMT</td> <td>1 OF 1</td> </tr> </table>							BY	DATE	APPROVED BY	DATE	DWN AT	3/7/53	E INGR		CHK		M INGR	2/27/54	E C CONTROL		M INGR		TITLE				ASS'Y, Y ARM, GUIDE PLATE				FINISH				TOL ER AS NOTED				HR & DR FRAC & 1/64				R&R & DR ANG & 1'30' FINISH V				SCALE	1/1	SMT	1 OF 1
BY	DATE	APPROVED BY	DATE																																																		
DWN AT	3/7/53	E INGR																																																			
CHK		M INGR	2/27/54																																																		
E C CONTROL		M INGR																																																			
TITLE																																																					
ASS'Y, Y ARM, GUIDE PLATE																																																					
FINISH																																																					
TOL ER AS NOTED																																																					
HR & DR FRAC & 1/64																																																					
R&R & DR ANG & 1'30' FINISH V																																																					
SCALE	1/1	SMT	1 OF 1																																																		
WANG LABORATORIES, INC. TEMPERLEY WISE, U.S.A.			<table border="1"> <tr> <td>MATERIAL</td> <td>MODEL NO</td> <td>732</td> </tr> <tr> <td colspan="3">MECHANICAL SPECIFICATIONS No. 55-1001</td> </tr> <tr> <td colspan="3">TITLE</td> </tr> <tr> <td colspan="3">ASS'Y, Y ARM, GUIDE PLATE</td> </tr> <tr> <td colspan="3">FINISH</td> </tr> <tr> <td colspan="3">TOL ER AS NOTED</td> </tr> <tr> <td colspan="3">HR & DR FRAC & 1/64</td> </tr> <tr> <td colspan="3">R&R & DR ANG & 1'30' FINISH V</td> </tr> <tr> <td>SCALE</td> <td>1/1</td> <td>SMT</td> <td>1 OF 1</td> </tr> </table>							MATERIAL	MODEL NO	732	MECHANICAL SPECIFICATIONS No. 55-1001			TITLE			ASS'Y, Y ARM, GUIDE PLATE			FINISH			TOL ER AS NOTED			HR & DR FRAC & 1/64			R&R & DR ANG & 1'30' FINISH V			SCALE	1/1	SMT	1 OF 1																
MATERIAL	MODEL NO	732																																																			
MECHANICAL SPECIFICATIONS No. 55-1001																																																					
TITLE																																																					
ASS'Y, Y ARM, GUIDE PLATE																																																					
FINISH																																																					
TOL ER AS NOTED																																																					
HR & DR FRAC & 1/64																																																					
R&R & DR ANG & 1'30' FINISH V																																																					
SCALE	1/1	SMT	1 OF 1																																																		
REVISION			<table border="1"> <tr> <td>BY</td> <td>DATE</td> <td>APPROVED BY</td> <td>DATE</td> </tr> <tr> <td>DWN AT</td> <td>3/7/53</td> <td>E INGR</td> <td></td> </tr> <tr> <td>CHK</td> <td></td> <td>M INGR</td> <td>2/27/54</td> </tr> <tr> <td colspan="2">E C CONTROL</td> <td>M INGR</td> <td></td> </tr> <tr> <td colspan="4">TITLE</td> </tr> <tr> <td colspan="4">ASS'Y, Y ARM, GUIDE PLATE</td> </tr> <tr> <td colspan="4">FINISH</td> </tr> <tr> <td colspan="4">TOL ER AS NOTED</td> </tr> <tr> <td colspan="4">HR & DR FRAC & 1/64</td> </tr> <tr> <td colspan="4">R&R & DR ANG & 1'30' FINISH V</td> </tr> <tr> <td>SCALE</td> <td>1/1</td> <td>SMT</td> <td>1 OF 1</td> </tr> </table>							BY	DATE	APPROVED BY	DATE	DWN AT	3/7/53	E INGR		CHK		M INGR	2/27/54	E C CONTROL		M INGR		TITLE				ASS'Y, Y ARM, GUIDE PLATE				FINISH				TOL ER AS NOTED				HR & DR FRAC & 1/64				R&R & DR ANG & 1'30' FINISH V				SCALE	1/1	SMT	1 OF 1
BY	DATE	APPROVED BY	DATE																																																		
DWN AT	3/7/53	E INGR																																																			
CHK		M INGR	2/27/54																																																		
E C CONTROL		M INGR																																																			
TITLE																																																					
ASS'Y, Y ARM, GUIDE PLATE																																																					
FINISH																																																					
TOL ER AS NOTED																																																					
HR & DR FRAC & 1/64																																																					
R&R & DR ANG & 1'30' FINISH V																																																					
SCALE	1/1	SMT	1 OF 1																																																		
REVISION			<table border="1"> <tr> <td>BY</td> <td>DATE</td> <td>APPROVED BY</td> <td>DATE</td> </tr> <tr> <td>DWN AT</td> <td>3/7/53</td> <td>E INGR</td> <td></td> </tr> <tr> <td>CHK</td> <td></td> <td>M INGR</td> <td>2/27/54</td> </tr> <tr> <td colspan="2">E C CONTROL</td> <td>M INGR</td> <td></td> </tr> <tr> <td colspan="4">TITLE</td> </tr> <tr> <td colspan="4">ASS'Y, Y ARM, GUIDE PLATE</td> </tr> <tr> <td colspan="4">FINISH</td> </tr> <tr> <td colspan="4">TOL ER AS NOTED</td> </tr> <tr> <td colspan="4">HR & DR FRAC & 1/64</td> </tr> <tr> <td colspan="4">R&R & DR ANG & 1'30' FINISH V</td> </tr> <tr> <td>SCALE</td> <td>1/1</td> <td>SMT</td> <td>1 OF 1</td> </tr> </table>							BY	DATE	APPROVED BY	DATE	DWN AT	3/7/53	E INGR		CHK		M INGR	2/27/54	E C CONTROL		M INGR		TITLE				ASS'Y, Y ARM, GUIDE PLATE				FINISH				TOL ER AS NOTED				HR & DR FRAC & 1/64				R&R & DR ANG & 1'30' FINISH V				SCALE	1/1	SMT	1 OF 1
BY	DATE	APPROVED BY	DATE																																																		
DWN AT	3/7/53	E INGR																																																			
CHK		M INGR	2/27/54																																																		
E C CONTROL		M INGR																																																			
TITLE																																																					
ASS'Y, Y ARM, GUIDE PLATE																																																					
FINISH																																																					
TOL ER AS NOTED																																																					
HR & DR FRAC & 1/64																																																					
R&R & DR ANG & 1'30' FINISH V																																																					
SCALE	1/1	SMT	1 OF 1																																																		
REVISION			<table border="1"> <tr> <td>BY</td> <td>DATE</td> <td>APPROVED BY</td> <td>DATE</td> </tr> <tr> <td>DWN AT</td> <td>3/7/53</td> <td>E INGR</td> <td></td> </tr> <tr> <td>CHK</td> <td></td> <td>M INGR</td> <td>2/27/54</td> </tr> <tr> <td colspan="2">E C CONTROL</td> <td>M INGR</td> <td></td> </tr> <tr> <td colspan="4">TITLE</td> </tr> <tr> <td colspan="4">ASS'Y, Y ARM, GUIDE PLATE</td> </tr> <tr> <td colspan="4">FINISH</td> </tr> <tr> <td colspan="4">TOL ER AS NOTED</td> </tr> <tr> <td colspan="4">HR & DR FRAC & 1/64</td> </tr> <tr> <td colspan="4">R&R & DR ANG & 1'30' FINISH V</td> </tr> <tr> <td>SCALE</td> <td>1/1</td> <td>SMT</td> <td>1 OF 1</td> </tr> </table>							BY	DATE	APPROVED BY	DATE	DWN AT	3/7/53	E INGR		CHK		M INGR	2/27/54	E C CONTROL		M INGR		TITLE				ASS'Y, Y ARM, GUIDE PLATE				FINISH				TOL ER AS NOTED				HR & DR FRAC & 1/64				R&R & DR ANG & 1'30' FINISH V				SCALE	1/1	SMT	1 OF 1
BY	DATE	APPROVED BY	DATE																																																		
DWN AT	3/7/53	E INGR																																																			
CHK		M INGR	2/27/54																																																		
E C CONTROL		M INGR																																																			
TITLE																																																					
ASS'Y, Y ARM, GUIDE PLATE																																																					
FINISH																																																					
TOL ER AS NOTED																																																					
HR & DR FRAC & 1/64																																																					
R&R & DR ANG & 1'30' FINISH V																																																					
SCALE	1/1	SMT	1 OF 1																																																		
REVISION			<table border="1"> <tr> <td>BY</td> <td>DATE</td> <td>APPROVED BY</td> <td>DATE</td> </tr> <tr> <td>DWN AT</td> <td>3/7/53</td> <td>E INGR</td> <td></td> </tr> <tr> <td>CHK</td> <td></td> <td>M INGR</td> <td>2/27/54</td> </tr> <tr> <td colspan="2">E C CONTROL</td> <td>M INGR</td> <td></td> </tr> <tr> <td colspan="4">TITLE</td> </tr> <tr> <td colspan="4">ASS'Y, Y ARM, GUIDE PLATE</td> </tr> <tr> <td colspan="4">FINISH</td> </tr> <tr> <td colspan="4">TOL ER AS NOTED</td> </tr> <tr> <td colspan="4">HR & DR FRAC & 1/64</td> </tr> <tr> <td colspan="4">R&R & DR ANG & 1'30' FINISH V</td> </tr> <tr> <td>SCALE</td> <td>1/1</td> <td>SMT</td> <td>1 OF 1</td> </tr> </table>							BY	DATE	APPROVED BY	DATE	DWN AT	3/7/53	E INGR		CHK		M INGR	2/27/54	E C CONTROL		M INGR		TITLE				ASS'Y, Y ARM, GUIDE PLATE				FINISH				TOL ER AS NOTED				HR & DR FRAC & 1/64				R&R & DR ANG & 1'30' FINISH V				SCALE	1/1	SMT	1 OF 1
BY	DATE	APPROVED BY	DATE																																																		
DWN AT	3/7/53	E INGR																																																			
CHK		M INGR	2/27/54																																																		
E C CONTROL		M INGR																																																			
TITLE																																																					
ASS'Y, Y ARM, GUIDE PLATE																																																					
FINISH																																																					
TOL ER AS NOTED																																																					
HR & DR FRAC & 1/64																																																					
R&R & DR ANG & 1'30' FINISH V																																																					
SCALE	1/1	SMT	1 OF 1																																																		

39

A

A

THIS DOCUMENT IS THE PROPERTY OF WANG LABORATORIES, INC. AND SHALL NOT BE REPRODUCED OR COPIED, OR USED AS A BASIS FOR THE MANUFACTURE OR SALE OF APPARATUS OR DEVICES WITHOUT PERMISSION.

DO NOT SCALE

NOTES:

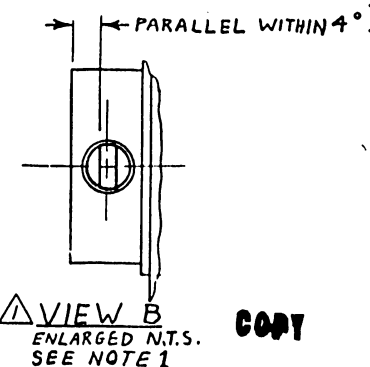
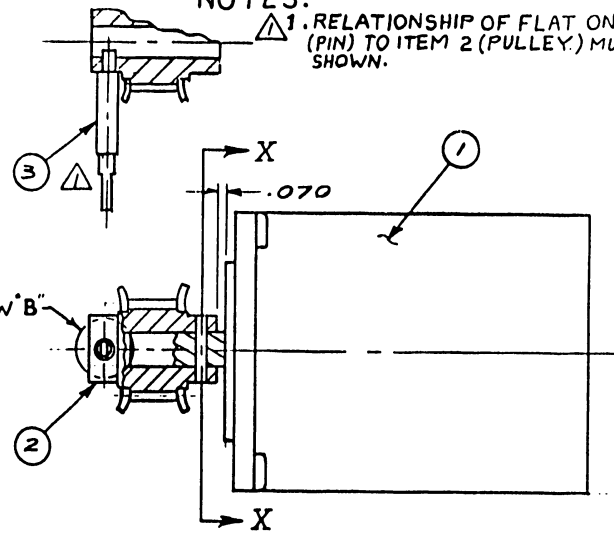
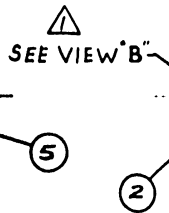
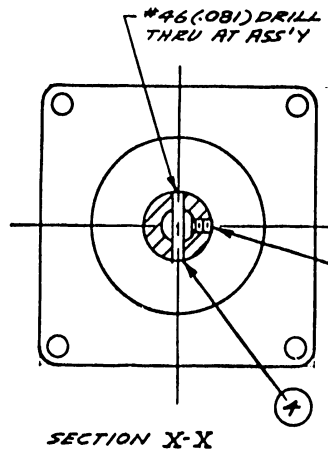
1. RELATIONSHIP OF FLAT ON ITEM 3 (PIN) TO ITEM 2 (PULLEY) MUST BE AS SHOWN.

HOLE LEGEND

DRILLED OR PUNCHED HOLE TOLERANCES.	HOLE DIA	TOL
	0.135 to 1.25	$\pm .002$
	1.26 to 250	$\pm .004$
	251 to 500	$\pm .007$

IDENT	DESCRIPTION	QTY.
A		

D
C
B
A



B
6403-211

660-0114	5	AK	LOCTITE, SCREEN LOCK		
651-1517	4	I	PIN, ROLL		.078 x 1/2 LG.
461-3109	3	I	PIN, PHOTO CELL		SEE DWG B 6403-159
778-0207	2	I	PULLEY, BLANK, X MOTOR		SEE DWG B 6403-123
700-0005 M	1	I	MOTOR, STEP		

BY	DATE
ECN	4-3-78

REVISION	REV. PER	DATE
1	ECN 94108	4-17-78
	4-17-78	QF 77

WANG PART NO	ITEM	QTY	NAME	MATERIAL	DESCRIPTION
	QTY. PER UNIT	FIRST USED ON	ASSY USED ON		
	1	E4103-215	E4103-225		
			WANG	LABORATORIES, INC. TEWASBURT, MASS. U. S. A.	
			MATERIAL	MODEL NO	BY DATE APPROVED BY DATE
				732	DWN N/T 6/7/73 E ENGR
			FINISH	SEE ENGR SPECIFICATIONS No E5-1001	CHK M ENGR 2-6-74
				TOL EX. AS NOTED	E. C. CONTROL 2-6-74 MFG ENGR
				XX \pm .010 FRAC \pm 1/64	
				XXX \pm .003 ANG \pm 1'30" FINISH	
			SCALE NONE	SHT / OF 1	
			WANG PART NUMBER	SIZE	DRAWING NUMBER
				B	6403-211
					1

A

6 5 4 3 2 1

41

THIS DOCUMENT IS THE PROPERTY OF WANG LABORATORIES, INC. AND SHALL NOT BE REPRODUCED OR COPIED, OR USED AS A BASIS FOR THE MANUFACTURE OR SALE OF APPARATUS OR DEVICES WITHOUT PERMISSION.

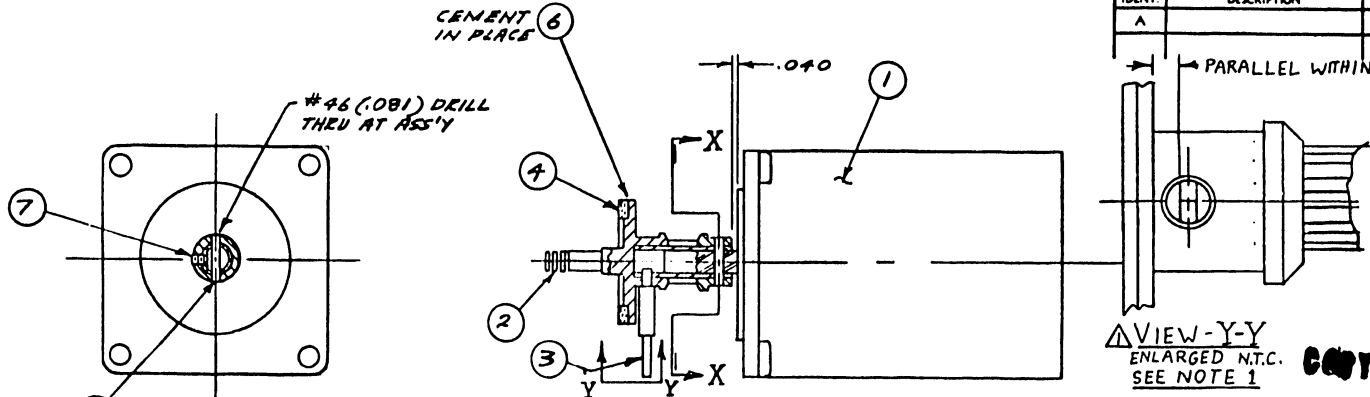
NOTE 5:

△ 1. RELATIONSHIP OF FLAT ON ITEM 3 (PIN) TO ITEM 2 (PULLEY) MUST BE AS SHOWN

HOLE LEGEND

DRILLED OR PUNCHED HOLE	HOLE DIA.	TOL.
	0135 to .125	± .003
	.126 to .250	± .004
	.251 to .500	± .005

IDENT.	DESCRIPTION	QTY.
A		



660-0114	7	AR	LOCTITE "SCREW LOCK"	
660-0106	6	AR	LOCTITE	
651-1517	5	1	PIN, ROLL	.078 DIA X 1/2 LG.
656-0006	4	1	CORK, ANNULUS	SEE DWG B6403-187
461-3109	3	1	PIN, PHOTOCELL	SEE DWG B6403-159
279-0051	2	1	ASS'Y, Y DRIVE PULLEY	SEE DWG. C6403-126
400-0005M	1	1	MOTOR, STEP	

BY	DATE
W/CCT	4-3-74

NO	REVISION
1	REVISED ECN# 4108 4-1-72 RFM

QTY.	WANG PART NO	ITEM	QTY	NAME	MATERIAL	DESCRIPTION
1	E6403-215	E6403-225				



MATERIAL	MODEL NO	732
FINISH	SEE ENGRG SPECIFICATIONS	NO. ES 1001
	TOL EX AS NOTED	XX ± 010 FRAC ± 1/64
		XXX ± 005 ANG ± 1°30' FINISH √
	SCALE	1/1
	SHT	1 OF 1

BY	DATE	APPROVED BY	DATE
DWN M	6/6/73	E ENGR	
CHK		M ENGR	2-6-74
E. C. CONTROL	2-6-74	MFG ENGR	

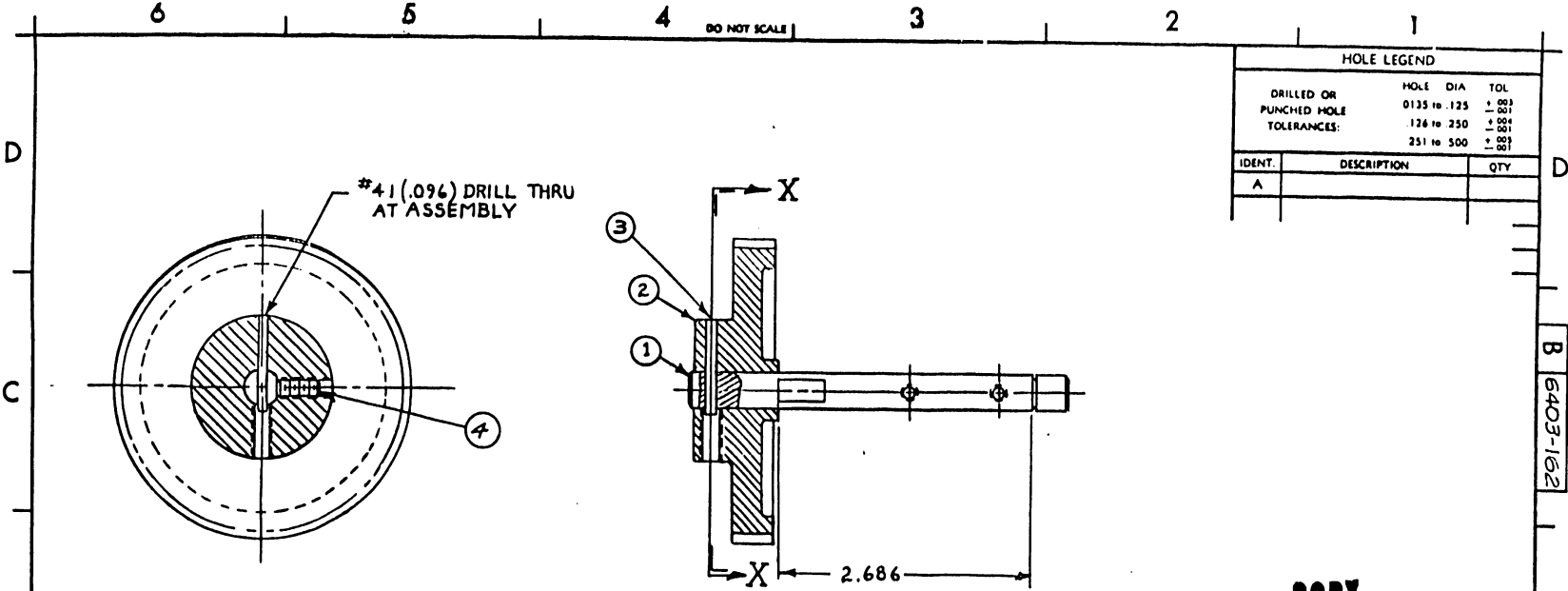
WANG PART NUMBER	SIZE	DRAWING NUMBER	REV.
B	6403-209	1	

42

B 6403-209

B

A



HOLE LEGEND		
DRILLED OR PUNCHED HOLE	HOLE DIA	TOL
	0135 to .125	± .003
	.126 to .250	± .004
	.251 to .500	± .005
		± .001
IDENT.	DESCRIPTION	QTY
A		

COPY

BY	DATE	APPROVED BY	DATE
DWN AFM	3-15-73	E ENGR	
CHK		M ENGR	2-6-74
E C CONTROL	2-6-74	MFG ENGR	

QTY	WANG PART NO	ITEM	QTY	NAME	MATERIAL	DESCRIPTION
4	660-0114	AR		LOCTITE, "SCREWLOCK"		
3	651-1522	1		ROLL-PIN		3/32 x 1" LG ROLL PIN
2	478-0210	1		PULLEY, Y DRIVE		SEE DWG B 6403-165
1	461-3105	1		SHAFT, Y DRIVE		SEE DWG B 6403-154

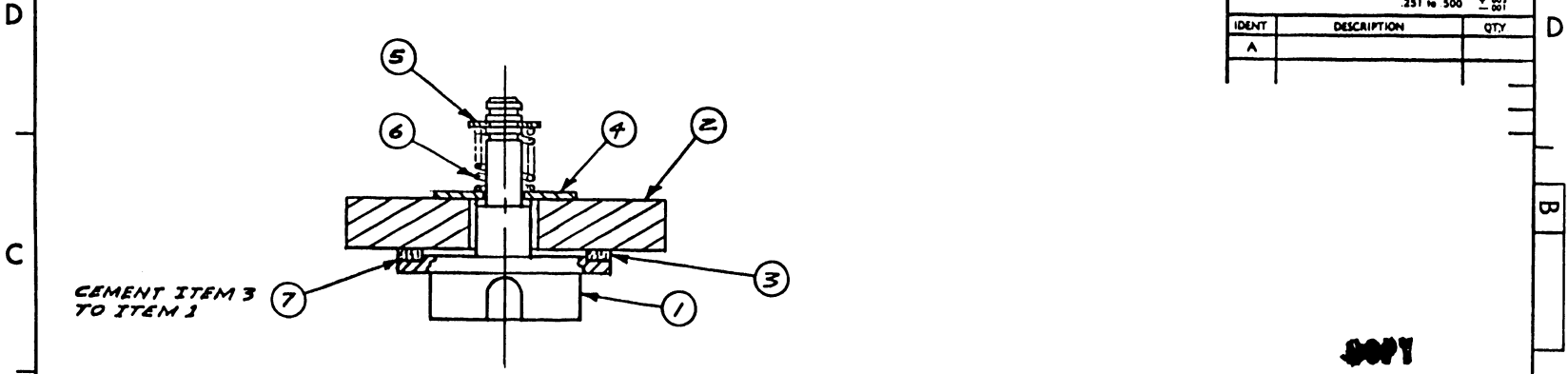
QTY	FIRST USED ON	ASSY USED ON
1	E 6403-225	E 6403-225

WANG		LABORATORIES, INC. TEWASBURY, MASS U.S.A.	
MATERIAL	SEE B/M	MODEL NO	732
FINISH		SEE ENGRG SPECIFICATIONS	No E 5-1001
		TOL EX AS NOTED	
		XX ± 010 FRAC ± 1/64	
		XXX ± 005 ANG ± 1°30' FINISH ✓	
SCALE	1/1	SHT	OF 1
WANG PART NUMBER		SIZE	DRAWING NUMBER
		B	6403-162
			0

45

THIS DOCUMENT IS THE PROPERTY OF WANG LABORATORIES, INC. AND SHALL NOT BE REPRODUCED OR COPIED, OR USED AS A BASIS FOR THE MANUFACTURE OR SALE OF APPARATUS OR DEVICES WITHOUT PERMISSION.

HOLE LEGEND		
DRILLED OR	HOLE DIA.	TOL.
	0125 to .125	+ .001
PUNCHED HOLE	126 to .250	+ .004
TOLERANCES:	251 to .500	+ .001
		- .001
IDENT	DESCRIPTION	QTY
A		



660-0106	7	AR	LOCTITE		
465-0992	6	1	SPRING, COMP.		
651-1712	5	1	RING, RETAINING		5133-18
653-6004	4	1	WASHER, NYLON		#10
656-0006	3	1	CORK, ANNULUS		SEE DWG B6403-187
	2	1	ASS'Y, FLYWHEEL		SEE DWG B6403-218
465-1030	1	1	HUB, DAMPER X DRIVE		SEE DWG C6403-199
WANG PART NO	ITEM	QTY	NAME	MATERIAL	DESCRIPTION

BY	DATE

REVISION	DATE	DESCRIPTION
2		

QTY.	FIRST USED ON	ASSY USED ON	BY	DATE	APPROVED BY	DATE
1	E6403-215	E6403-225	DWN	MY	6/11/73	E ENGR
			CHK			M ENGR <i>FW</i> 2-7-76
			E C CONTROL	SV	2-7-74	MFG ENGR

(WANG)	LABORATORIES, INC.	TITLE	
	TEWESBURY, MASS. U. S. A.	ASS'Y, X DAMPER	
MATERIAL	MODEL NO.	B 6403-210	
	732	O	
FINISH	SEE ENGRG. SPECIFICATIONS	WANG PART NUMBER	
	No. <u>E51001</u>	SIZE	
	TOL EX. AS NOTED	DRAWING NUMBER	
	XX ± 010 FRAC ± 1/64	REV	
	XXX ± 003 ANG ± 1°30' FINISH √		
	SCALE 2/1 SHT 1 OF 1		

94

6

5

4

DO NOT SCALE

3

2

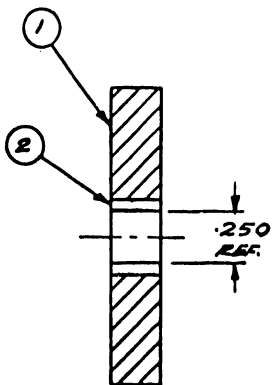
1

THIS DOCUMENT IS THE PROPERTY OF WANG LABORATORIES, INC. AND SHALL NOT BE REPRODUCED OR COPIED, OR USED AS A BASIS FOR THE MANUFACTURE OR SALE OF APPARATUS OR DEVICES WITHOUT PERMISSION.

HOLE LEGEND

DRILLED OR PUNCHED HOLES	HOLE DIA	TOL
	0.135 to 125	± .01
	126 to 250	± .01
	251 to 500	± .01

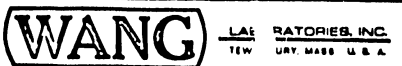
IDENT	DESCRIPTION	QTY
A		



COPY

465-0216	2	1	BEARING, RULON		DRS 0406-2
465-1110	1	1	FLYWHEEL		SEE DWG B 6403-198
WANG PART NO	ITEM	QTY	NAME	MATERIAL	DESCRIPTION

QTY. PER UNIT	FIRST USED ON	ASSY USED ON
2	E6403-210	E6403-225
	E6403-215	E6403-225



MATERIAL	MODEL NO
SEE B/M	732
FINISH	SEE ENGRG SPECIFICATIONS No. E3-1001
	TOL EX AS NOTED XX ± .010 FRAC ± 1/64 XXX ± .005 ANG ± 1'30" FINISH
	SCALE 2/1 SHT 1 OF 1

BY	DATE	APPROVED BY	DATE
DWN NY	6-6-73	E ENGR	
CHK		M ENGR	Ew 2-6-74
E C CONTROL	Ew 2-6-74	MFG ENGR	
TITLE			
ASSY, FLYWHEEL			
	B	6403-218	0
WANG PART NUMBER	SIZE	DRAWING NUMBER	REV

REVISION
2

6

5

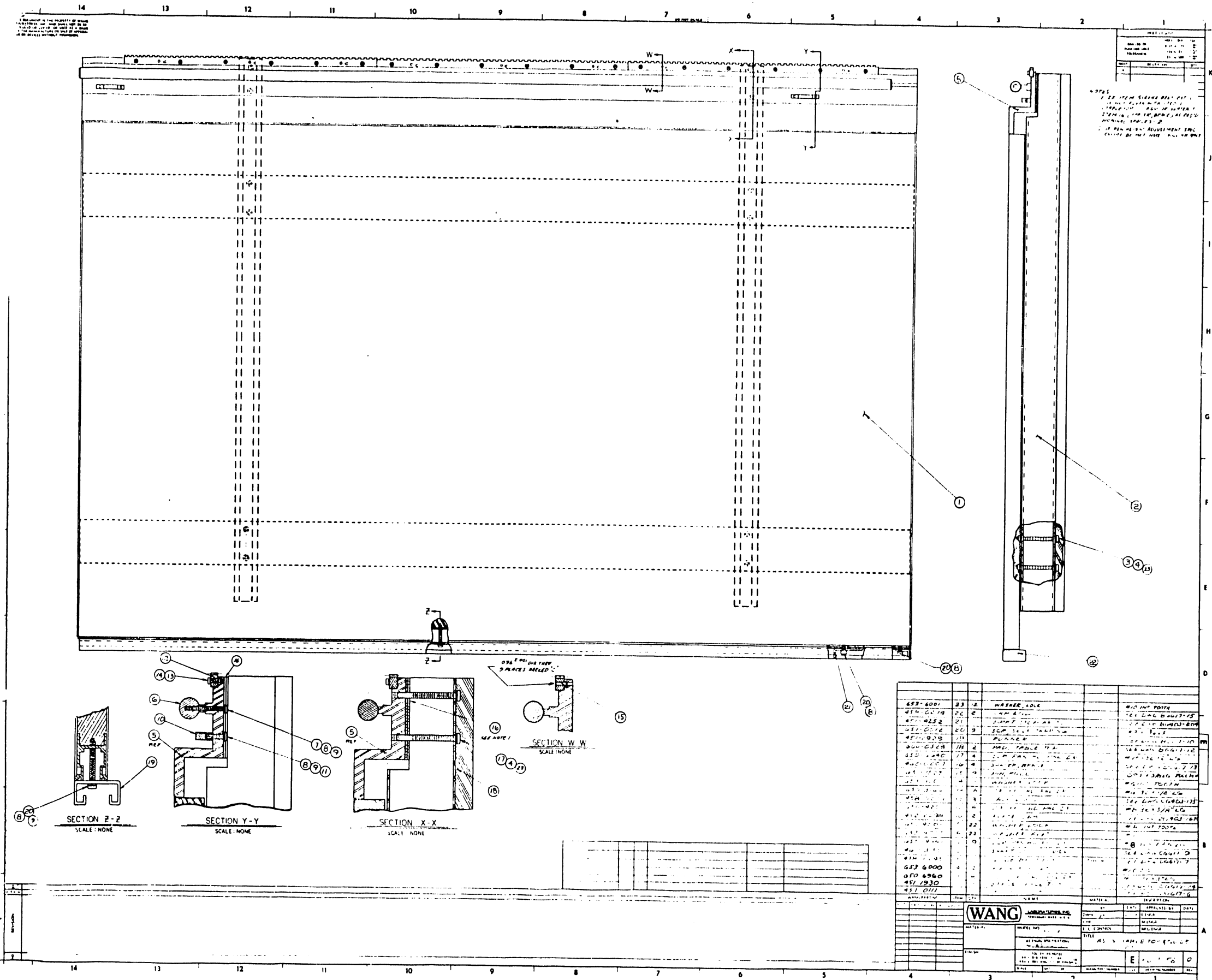
4

3

2

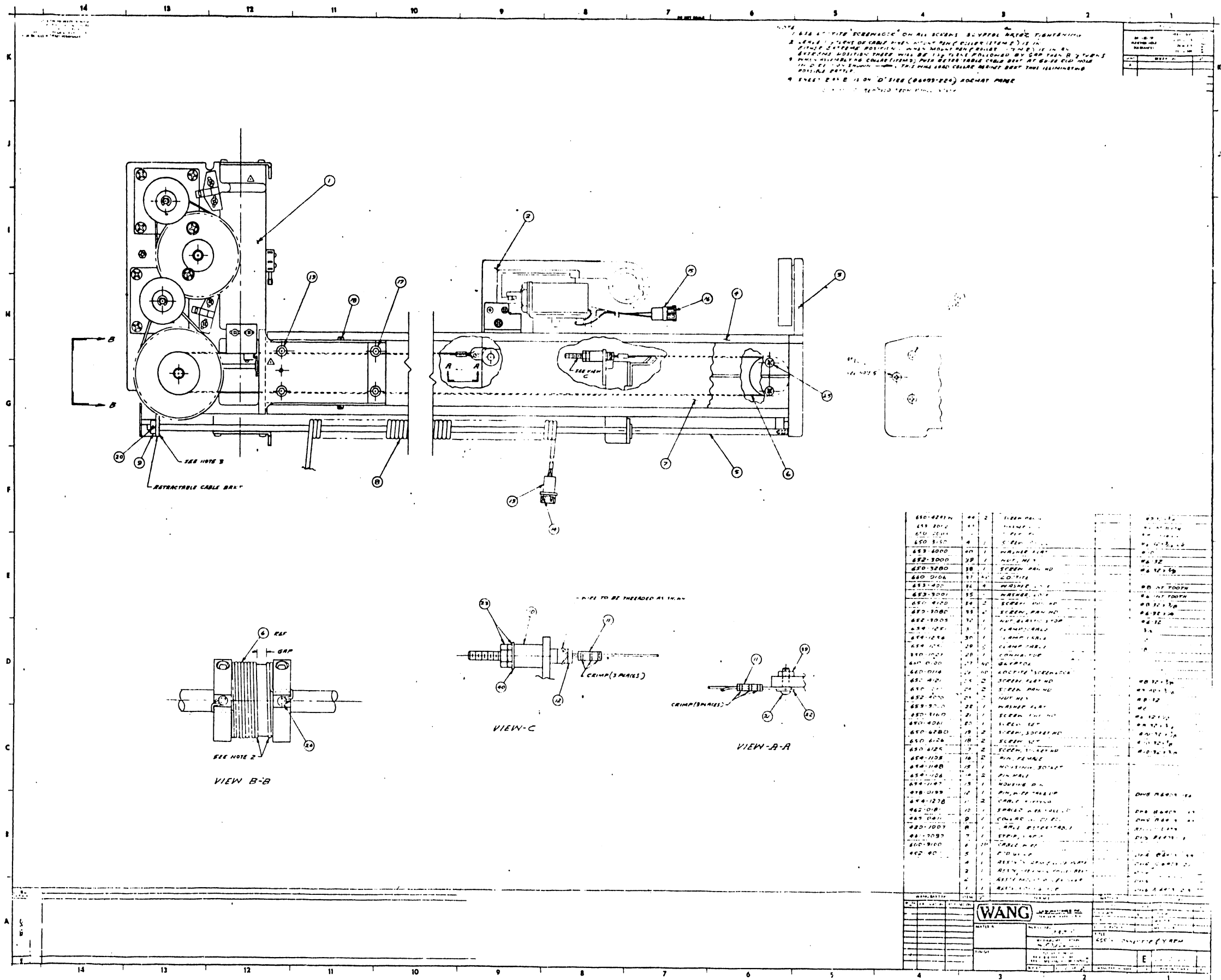
1

47



NOTES:
 1. SEE ITEM 51000 FOR DETAIL OF WINDOW FRAME.
 2. SEE ITEM 51000 FOR DETAIL OF WINDOW FRAME.
 3. SEE ITEM 51000 FOR DETAIL OF WINDOW FRAME.
 4. SEE ITEM 51000 FOR DETAIL OF WINDOW FRAME.
 5. SEE ITEM 51000 FOR DETAIL OF WINDOW FRAME.

ITEM	QTY	DESCRIPTION	UNIT	REMARKS
4531 0001	23	WATER GLE		
4531 0010	20	WATER GLE		
4531 0012	21	WATER GLE		
4531 0014	22	WATER GLE		
4531 0016	23	WATER GLE		
4531 0018	24	WATER GLE		
4531 0020	25	WATER GLE		
4531 0022	26	WATER GLE		
4531 0024	27	WATER GLE		
4531 0026	28	WATER GLE		
4531 0028	29	WATER GLE		
4531 0030	30	WATER GLE		
4531 0032	31	WATER GLE		
4531 0034	32	WATER GLE		
4531 0036	33	WATER GLE		
4531 0038	34	WATER GLE		
4531 0040	35	WATER GLE		
4531 0042	36	WATER GLE		
4531 0044	37	WATER GLE		
4531 0046	38	WATER GLE		
4531 0048	39	WATER GLE		
4531 0050	40	WATER GLE		
4531 0052	41	WATER GLE		
4531 0054	42	WATER GLE		
4531 0056	43	WATER GLE		
4531 0058	44	WATER GLE		
4531 0060	45	WATER GLE		
4531 0062	46	WATER GLE		
4531 0064	47	WATER GLE		
4531 0066	48	WATER GLE		
4531 0068	49	WATER GLE		
4531 0070	50	WATER GLE		
4531 0072	51	WATER GLE		
4531 0074	52	WATER GLE		
4531 0076	53	WATER GLE		
4531 0078	54	WATER GLE		
4531 0080	55	WATER GLE		
4531 0082	56	WATER GLE		
4531 0084	57	WATER GLE		
4531 0086	58	WATER GLE		
4531 0088	59	WATER GLE		
4531 0090	60	WATER GLE		
4531 0092	61	WATER GLE		
4531 0094	62	WATER GLE		
4531 0096	63	WATER GLE		
4531 0098	64	WATER GLE		
4531 0100	65	WATER GLE		



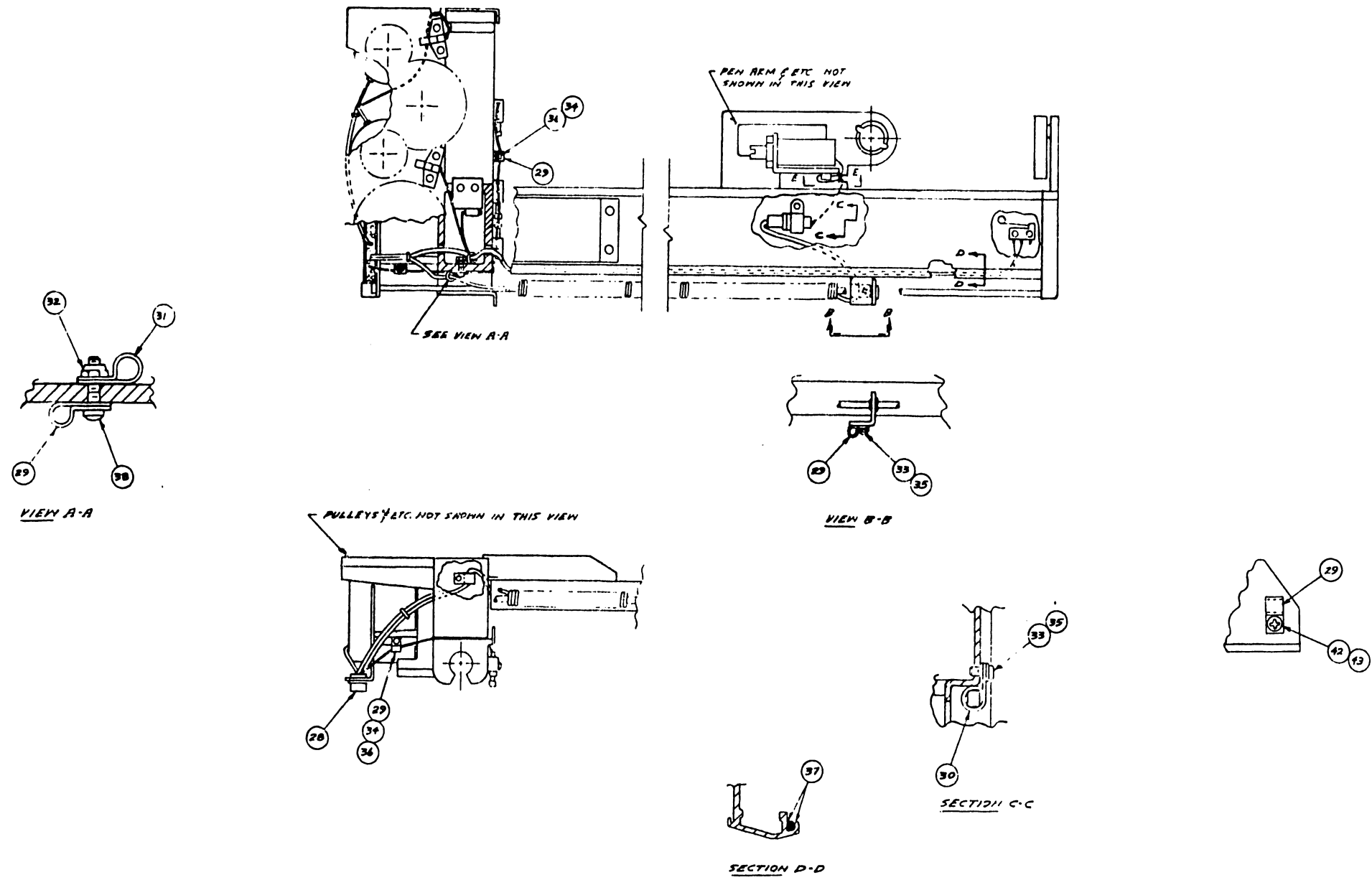
NOTE
 1. ALL SCREWS TO BE MACHINE SCREWS
 2. ALL SCREWS TO BE OF THE SAME SIZE
 3. ALL SCREWS TO BE OF THE SAME TYPE
 4. ALL SCREWS TO BE OF THE SAME MATERIAL
 5. ALL SCREWS TO BE OF THE SAME FINISH
 6. ALL SCREWS TO BE OF THE SAME LENGTH
 7. ALL SCREWS TO BE OF THE SAME DIAMETER
 8. ALL SCREWS TO BE OF THE SAME HEAD TYPE
 9. ALL SCREWS TO BE OF THE SAME HEAD SIZE
 10. ALL SCREWS TO BE OF THE SAME HEAD DIAMETER
 11. ALL SCREWS TO BE OF THE SAME HEAD HEIGHT
 12. ALL SCREWS TO BE OF THE SAME HEAD WIDTH
 13. ALL SCREWS TO BE OF THE SAME HEAD DEPTH
 14. ALL SCREWS TO BE OF THE SAME HEAD RADIUS
 15. ALL SCREWS TO BE OF THE SAME HEAD CHAMFER

650-4214	44	2	SCREEN PANEL	650-12
650-4215	44	2	SCREEN PANEL	650-12
650-4216	44	2	SCREEN PANEL	650-12
650-4217	44	2	SCREEN PANEL	650-12
650-4218	44	2	SCREEN PANEL	650-12
650-4219	44	2	SCREEN PANEL	650-12
650-4220	44	2	SCREEN PANEL	650-12
650-4221	44	2	SCREEN PANEL	650-12
650-4222	44	2	SCREEN PANEL	650-12
650-4223	44	2	SCREEN PANEL	650-12
650-4224	44	2	SCREEN PANEL	650-12
650-4225	44	2	SCREEN PANEL	650-12
650-4226	44	2	SCREEN PANEL	650-12
650-4227	44	2	SCREEN PANEL	650-12
650-4228	44	2	SCREEN PANEL	650-12
650-4229	44	2	SCREEN PANEL	650-12
650-4230	44	2	SCREEN PANEL	650-12
650-4231	44	2	SCREEN PANEL	650-12
650-4232	44	2	SCREEN PANEL	650-12
650-4233	44	2	SCREEN PANEL	650-12
650-4234	44	2	SCREEN PANEL	650-12
650-4235	44	2	SCREEN PANEL	650-12
650-4236	44	2	SCREEN PANEL	650-12
650-4237	44	2	SCREEN PANEL	650-12
650-4238	44	2	SCREEN PANEL	650-12
650-4239	44	2	SCREEN PANEL	650-12
650-4240	44	2	SCREEN PANEL	650-12
650-4241	44	2	SCREEN PANEL	650-12
650-4242	44	2	SCREEN PANEL	650-12
650-4243	44	2	SCREEN PANEL	650-12
650-4244	44	2	SCREEN PANEL	650-12
650-4245	44	2	SCREEN PANEL	650-12
650-4246	44	2	SCREEN PANEL	650-12
650-4247	44	2	SCREEN PANEL	650-12
650-4248	44	2	SCREEN PANEL	650-12
650-4249	44	2	SCREEN PANEL	650-12
650-4250	44	2	SCREEN PANEL	650-12
650-4251	44	2	SCREEN PANEL	650-12
650-4252	44	2	SCREEN PANEL	650-12
650-4253	44	2	SCREEN PANEL	650-12
650-4254	44	2	SCREEN PANEL	650-12
650-4255	44	2	SCREEN PANEL	650-12
650-4256	44	2	SCREEN PANEL	650-12
650-4257	44	2	SCREEN PANEL	650-12
650-4258	44	2	SCREEN PANEL	650-12
650-4259	44	2	SCREEN PANEL	650-12
650-4260	44	2	SCREEN PANEL	650-12
650-4261	44	2	SCREEN PANEL	650-12
650-4262	44	2	SCREEN PANEL	650-12
650-4263	44	2	SCREEN PANEL	650-12
650-4264	44	2	SCREEN PANEL	650-12
650-4265	44	2	SCREEN PANEL	650-12
650-4266	44	2	SCREEN PANEL	650-12
650-4267	44	2	SCREEN PANEL	650-12
650-4268	44	2	SCREEN PANEL	650-12
650-4269	44	2	SCREEN PANEL	650-12
650-4270	44	2	SCREEN PANEL	650-12
650-4271	44	2	SCREEN PANEL	650-12
650-4272	44	2	SCREEN PANEL	650-12
650-4273	44	2	SCREEN PANEL	650-12
650-4274	44	2	SCREEN PANEL	650-12
650-4275	44	2	SCREEN PANEL	650-12
650-4276	44	2	SCREEN PANEL	650-12
650-4277	44	2	SCREEN PANEL	650-12
650-4278	44	2	SCREEN PANEL	650-12
650-4279	44	2	SCREEN PANEL	650-12
650-4280	44	2	SCREEN PANEL	650-12
650-4281	44	2	SCREEN PANEL	650-12
650-4282	44	2	SCREEN PANEL	650-12
650-4283	44	2	SCREEN PANEL	650-12
650-4284	44	2	SCREEN PANEL	650-12
650-4285	44	2	SCREEN PANEL	650-12
650-4286	44	2	SCREEN PANEL	650-12
650-4287	44	2	SCREEN PANEL	650-12
650-4288	44	2	SCREEN PANEL	650-12
650-4289	44	2	SCREEN PANEL	650-12
650-4290	44	2	SCREEN PANEL	650-12
650-4291	44	2	SCREEN PANEL	650-12
650-4292	44	2	SCREEN PANEL	650-12
650-4293	44	2	SCREEN PANEL	650-12
650-4294	44	2	SCREEN PANEL	650-12
650-4295	44	2	SCREEN PANEL	650-12
650-4296	44	2	SCREEN PANEL	650-12
650-4297	44	2	SCREEN PANEL	650-12
650-4298	44	2	SCREEN PANEL	650-12
650-4299	44	2	SCREEN PANEL	650-12
650-4300	44	2	SCREEN PANEL	650-12

THIS DOCUMENT IS THE PROPERTY OF WANG LABORATORIES, INC. AND SHALL NOT BE REPRODUCED OR COPIED OR USED AS A BASIS FOR THE MANUFACTURE OR SALE OF APPARATUS OR DEVICES WITHOUT PERMISSION.

NOTE
 1. USE LOCKWIRE 'SCREWLOCK' ON ALL SCREWS GLYPTOL AFTER TIGHTENING
 2. SHEET 1 OF 2 IS ON 'B' SIZE (A 6617-66) SIZE FORMAT PAPER

HOLE LEGEND		
DRILLED OR PUNCHED HOLE	HOLE DIA.	TOL.
	0.125 to .125	±.001
	.126 to .150	±.002
	.151 to .180	±.003
	.181 to .250	±.004
	.251 to .300	±.005
	.301 to .375	±.006
	.376 to .450	±.008
	.451 to .500	±.010
IDENT.	DESCRIPTION	QTY.
A		



REVISION	DATE	DESCRIPTION
1		

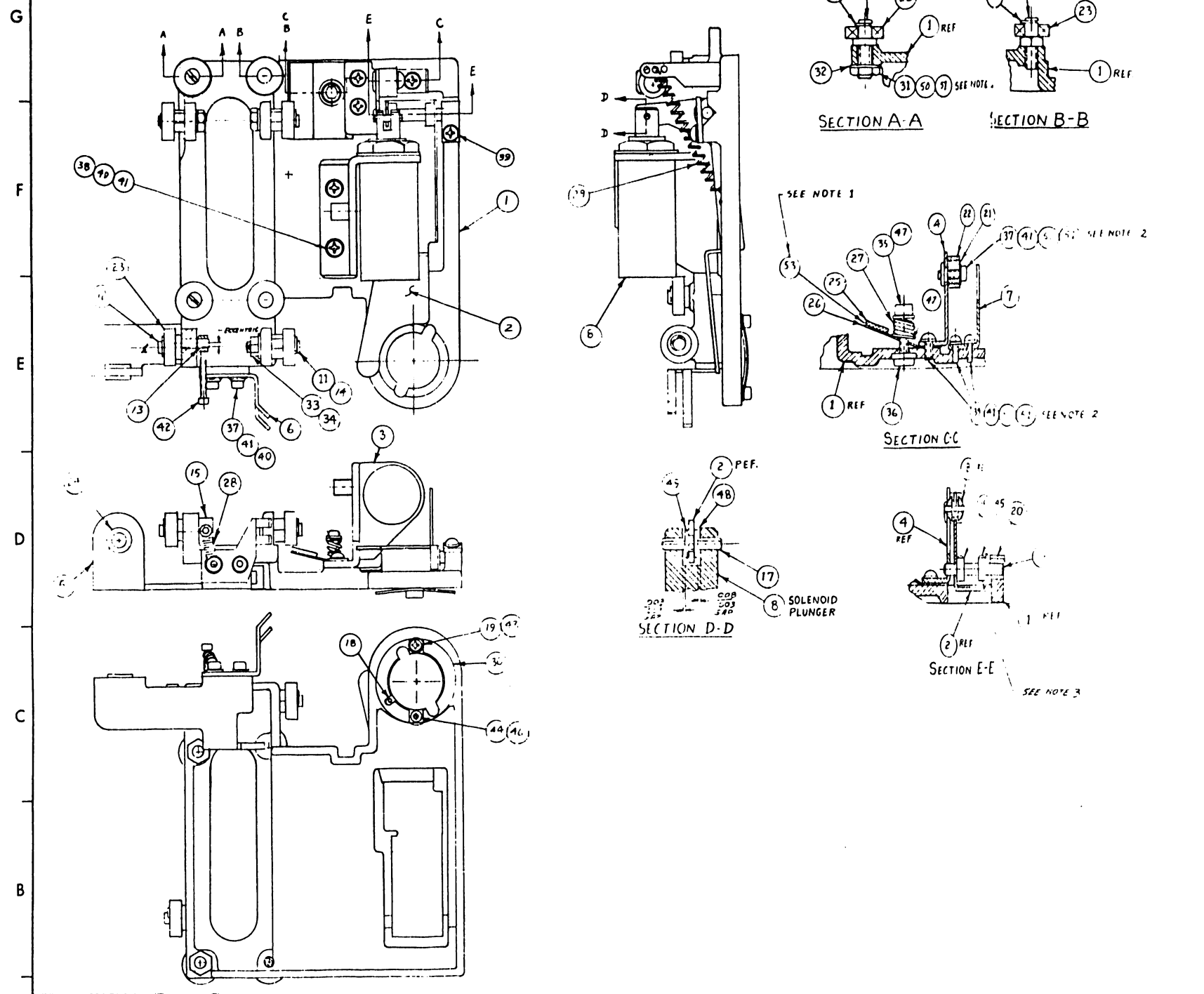
WANG PART NO.	ITEM	QTY.	NAME	MATERIAL	DESCRIPTION
1	FIRST USED ON	ASSEMBLY ON			
			WANG LABORATORIES, INC. TEMPERLEY MASS U.S.A.	BY DWN PVT	DATE 6-6-74
			MATERIAL	MODEL NO 732 A	APPROVED BY LENGR
			FINISH	ME ENG SPECIFICATIONS No. ES 1221	DATE M ENGR
				FOR USE AS NOTED RA ± 0.10 FRAC ± 1/64 IN R/R ± .005 ANG ± 1/30 FINISH	TITLE ASSEMBLY, CONNECTOR P/ARM
			SCALE 1/2" = 1"	WANG PART NO.	D 6617-66
				SIZE	DRAWING NUMBER
					0

THIS DOCUMENT IS THE PROPERTY OF WANG LABORATORIES, INC. AND SHALL NOT BE REPRODUCED OR COPIED OR USED AS A BASIS FOR THE MANUFACTURE OR SALE OF APPARATUS OR DEVICES WITHOUT PERMISSION.

NOTES:

1. USE LOCTITE ITEM 53 TO BOND ITEM 25 TO ITEM 24.
2. USE LOCTITE "SCREWLOCK" (ITEM 50) ON ALL SCREWS & GLYPHAL (ITEM 51) AFTER TIGHTENING UNLESS OTHERWISE SPECIFIED.
3. LOCTITE COLLARS (ITEM 15) SO THAT PER ARM ACTUATOR (ITEM 2) HAS CLEARANCE AS SHOWN IN SECTION D-D AND IS FREE TO MOVE ON DOWEL PIN (ITEM 16).

DATE	BY	CHKD BY



ITEM NO.	QTY	DESCRIPTION	REF
660-0106	53	A/R LOCTITE	
660-0106	52		
660-0106	51	GLYPHAL	
660-0112	50	SCREW	
653-0107	49	WASHER	
653-1001	48	WASHER, FLAT	
653-4000	47	WASHER, FLAT	
653-2027	46	LOCK WASHER	
650-2040	45	SCREW	
650-2061	44	SCREW, PAN HD	
650-2101	43	SCREW, TIL HD	
650-2242	42	SCREW, LOCK HD CAP	
653-3001	41	LOCK WASHER	
653-3000	40	WASHER, FLAT	
650-3100	39	SCREW, PAN HD	
650-3120	38	SCREW, PAN HD	
650-3166	37	SCREW, PAN HD	
652-0044	36	NUT, HEX	
650-4742	35	SCREW, SELF DRILLING	
653-6001	34	LOCK WASHER	
652-0000	33	NUT, HEX	
653-0000	32	LOCK WASHER	
652-0053	31	NUT, JAM	
465-0977	30	PLATE, LEAF SPRING	
465-1600	29	SPRING, EXTENSION	
465-0978	28	SPRING, EXTENSION	
465-0984	27	SPRING, COMP	
465-0985	26	SPRING, PLATE	
660-0521	25	SCREW, FLAT	
465-0708	24	BUSHING, COLLAR	
465-0009	23	PLATE, BALL	
465-1024	22	THUMB, ADJUSTABLE STOP	
465-1025	21	HUB, ADJUSTABLE STOP	
452-0021	20	PLATE, HOOD DOWN	
458-0281	19	STOP, TEN HOUSING	
651-1520	18	ROLL PIN	
651-1509	17	ROLL PIN	
651-1637	16	DOWEL PIN	
465-0409	15	COLLAR, EXTENSION	
651-1727	14	SNAP RING	
651-1712	13	SCREW, PIN	
478-0196	12	SCREW, EXTENSION	
478-0204	11	SCREW, PIN	
478-0202	10	SCREW, GUIDANCE	
478-0101	9	SCREW, EXTENSION	
370-1011	8	SOLENOID, PLUNGER	
465-0285	7	WASHER, FLAT	
451-4216	6	PLATE, CONTACT	
451-4215	5	PLATE, CONTACT	
451-4275	4	PLATE, CONTACT	
451-4278	3	PLATE, CONTACT	
451-0279	2	ARM, PERMANENT	
450-0094	1	ARM, PERMANENT	

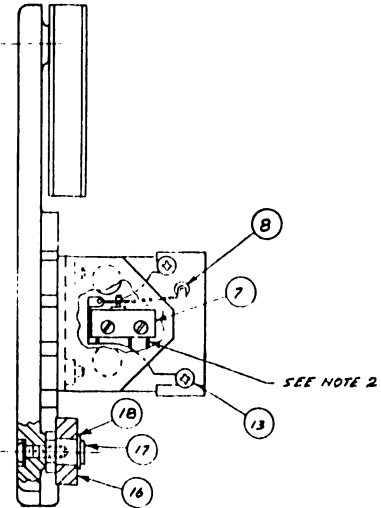
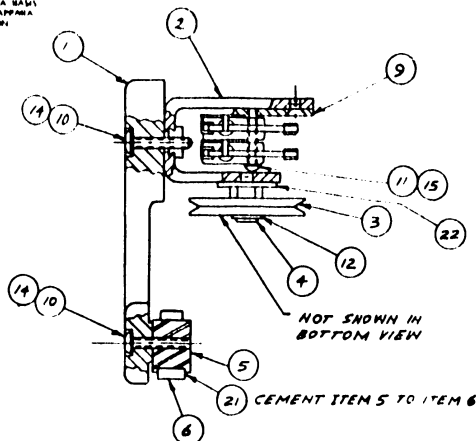
WANG LABORATORIES, INC.

MATERIAL	
FINISH	

THIS DOCUMENT IS THE PROPERTY OF WANG LABORATORIES, INC. AND SHALL NOT BE REPRODUCED OR COPIED OR USED AS A BASIS FOR THE MANUFACTURE OR SALE OF APPARATUS OR DEVICES WITHOUT PERMISSION.

NOTE
1. USE LOCTITE "SCREWLOCK" ON ALL SCREWS - GLYPTOL AFTER TIGHTENING
2. MICRO SWITCH TERMINALS TO BE POSITIONED AS SHOWN

HOLE LEGEND		
DRILLED OR PUNCHED HOLE TOLERANCES	HOLE DIA	TOL
	0.125 to 1.25	± .001
	1.26 to 2.50	± .002
	2.51 to 5.00	± .003
IDENT	DESCRIPTION	QTY
A		



453-6012	22	1	WASHER		3/16 ID X 3/4
640-010A	21	AR	LOCTITE		
660-0100	25	AR	GLYPTOL		
640-01	1	AR	LOCTITE 'SCREWS'		
151-1730	12	1	RING, RETAINING		TEAROUT
421-302	17	1	STUD, ROLLER		SEE DWG 6617-214
461-822	1	1	ROLLER, MOUNTING		SEE DWG 6617-214
153-1112	2	2	WASHER, LOCK		#2 11
153-422	4	4	WASHER, LOCK		#B 11
640-020	17	2	SCREW, FLAT		#A 40
671-127	12	1	RING, CRUSH		5103
670-0220	11	2	SCREW, FLAT		#2-56 150
650-4243W	10	4	SCREW, FLAT		#B 3
452-2097	9	1	PLATE, SWITCH MFG		SEE DWG 6617-214
325-9044	8	2	ACTUATOR		15 204
325-2307	7	2	SWITCH		WARRANTY 1117
640-0512	6	1	PAD, GUIDE		SEE DWG 6617-214
461-1525	5	1	GUIDE, YARM		SEE DWG 6617-214
478-0198	4	1	STUD, PULLEY		SEE DWG 6617-214
	3	1	ASSY, PULLEY & BRG		SEE DWG 6617-214
451-4218	2	1	BRKT, PULLEY MTG		SEE DWG 66403-183
450-0693	1	1	MOUNT, YARM MACHINING		SEE DWG 6617-11

REV	DATE	BY	DATE	APPROVED BY	DATE	WANG PART NO	ITEM	QTY	NAME	MATERIAL	DESCRIPTION	REVISION		
												REV	DATE	
1	6/6/74	EJW	6/6/74	E ENGR		6617-66	6617 67		ASSY, YARM MOUNT & PULLEY BRKT			C	6617-65	0

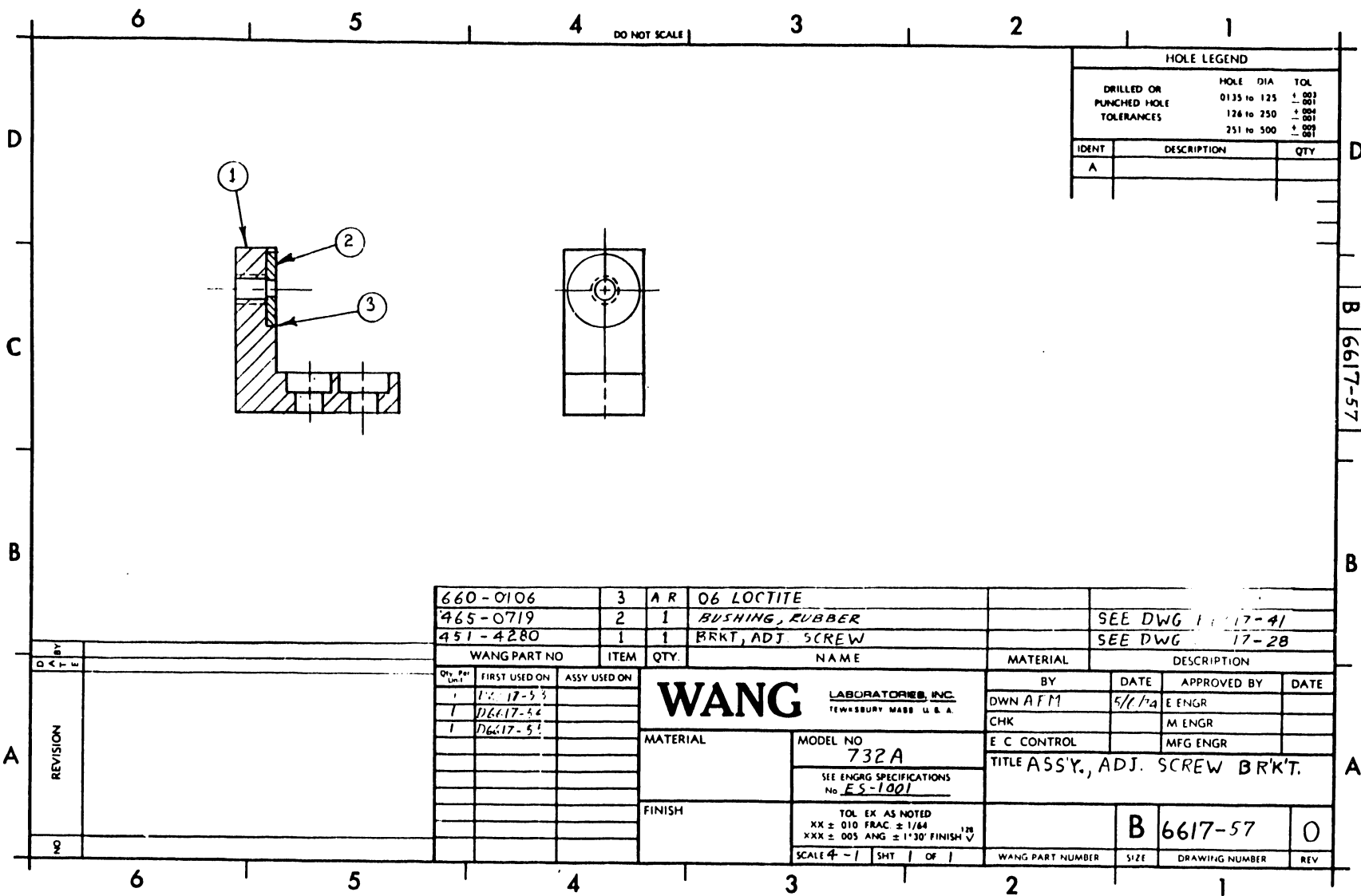
WANG LABORATORIES, INC.
TEMPERLEY MADE U.S.A.

MODEL NO 732 A

ME ENGR SPECIFICATION No. 25.1261

TOL EN AS NOTED
RR 2 010 BRG 1.184
RR 2 005 ANG 1.130 FINISH V
SCALE 1/1 SH 1 CH 1

WANG PART NUMBER 6617-65
SIZE C
DRAWING NUMBER 6617-65
REV 0



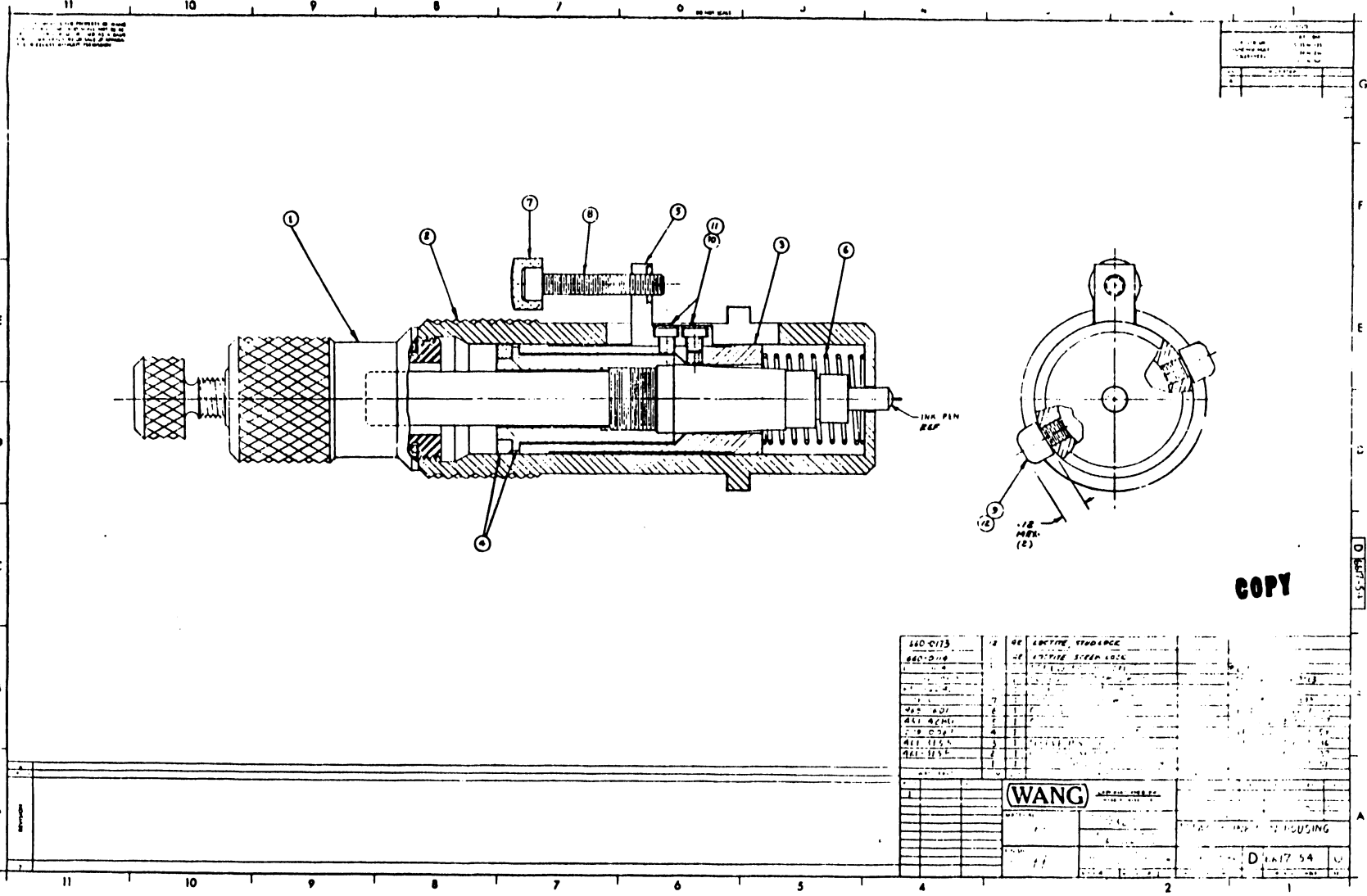
HOLE LEGEND		
DRILLED OR PUNCHED HOLE TOLERANCES	HOLE DIA 0135 to 125 126 to 250 251 to 500	TOL ± .003 ± .001 ± .004 ± .001 ± .009 ± .001
IDENT	DESCRIPTION	QTY
A		

660-0106	3	A R	06 LOCTITE		
465-0719	2	1	BUSHING, RUBBER		SEE DWG 17-41
451-4280	1	1	BRKT, ADJ. SCREW		SEE DWG 17-28
QTY	BY	DATE	APPROVED BY	DATE	
	DOWN AFM	5/6/74	E ENGR		
	CHK		M ENGR		
	E C CONTROL		MFG ENGR		
			TITLE ASS'Y, ADJ. SCREW BR'KT.		
MATERIAL		MODEL NO		WANG PART NUMBER	
		732A		B 6617-57	
FINISH		SEE ENGRG SPECIFICATIONS No. ES-1001		DRAWING NUMBER	
		TOL EX AS NOTED XX ± 010 FRAC. ± 1/64 XXX ± 005 ANG ± 1'30" FINISH		REV	
		SCALE 4-1 SHT 1 OF 1		0	

B 6617-57

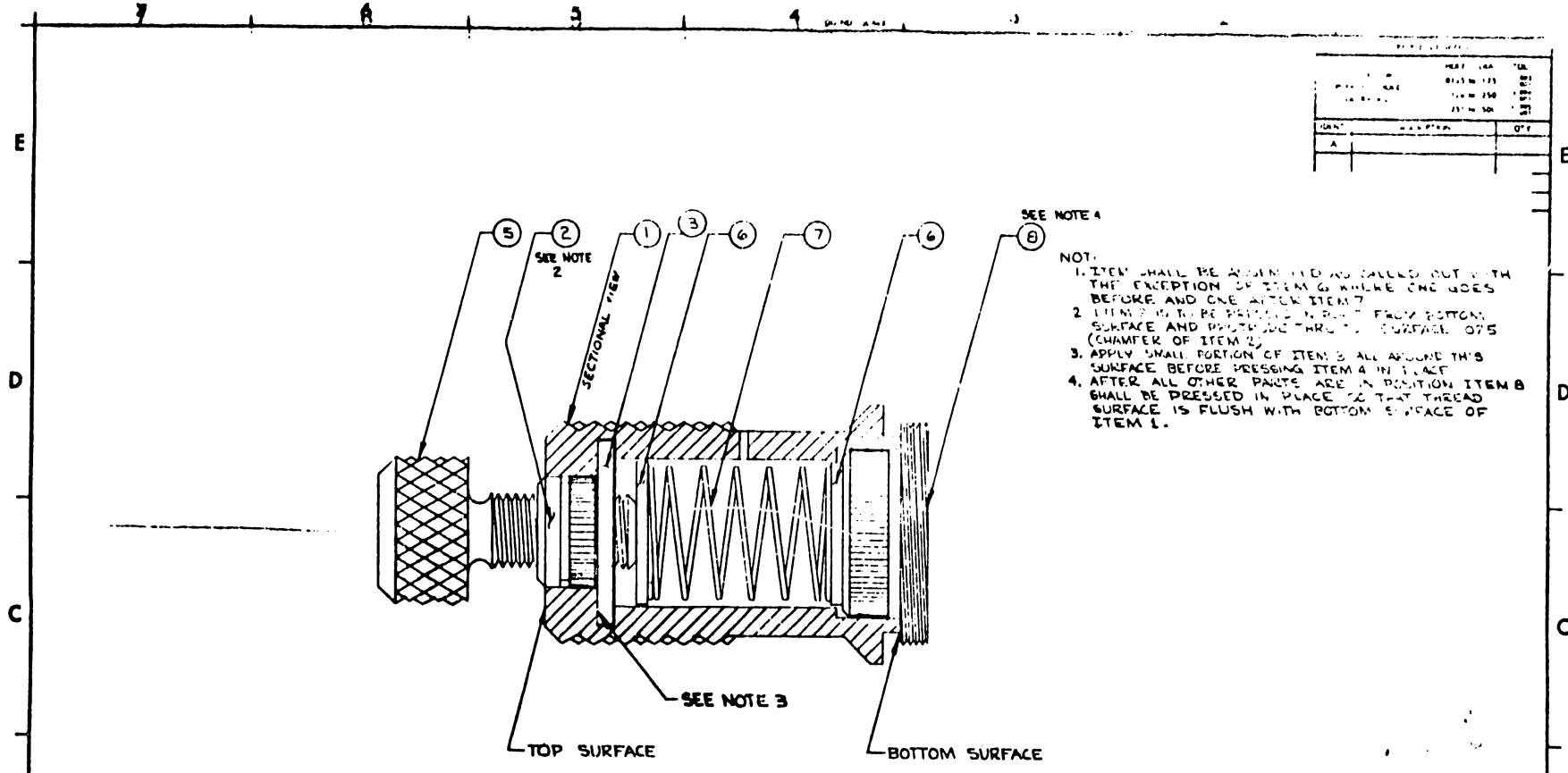
A

57



440-0113	12	40	LECTIVE STAMPAGE
440-0114	1	41	LECTIVE STAMPAGE
441-801	7	42	LECTIVE STAMPAGE
441-824	6	43	LECTIVE STAMPAGE
441-824	4	44	LECTIVE STAMPAGE
441-815	3	45	LECTIVE STAMPAGE
441-815	2	46	LECTIVE STAMPAGE
441-815	1	47	LECTIVE STAMPAGE
		WANG	
		HOUSING	
		D 17 54	

REV	DATE	BY	APP'D
1	8/15/55	J. J. WANG	
2	10/10/55	J. J. WANG	
3	11/10/55	J. J. WANG	



- NOTE 4
- NOT:
- ITEM 1 SHALL BE ASSEMBLED AND CALLED OUT WITH THE EXCEPTION OF ITEM 6 WHICH COMES BEFORE AND ONE AFTER ITEM 7
 - ITEM 2 SHALL BE PRELLOADED FROM BOTTOM SURFACE AND PROTRUDE THROUGH SURFACE OF 5 (CHAMFER OF ITEM 5)
 - APPLY SMALL PORTION OF ITEM 3 ALL AROUND THIS SURFACE BEFORE PRESSING ITEM 4 IN PLACE
 - AFTER ALL OTHER PARTS ARE IN POSITION ITEM 8 SHALL BE PRESSED IN PLACE SO THAT THREAD SURFACE IS FLUSH WITH BOTTOM SURFACE OF ITEM 1.

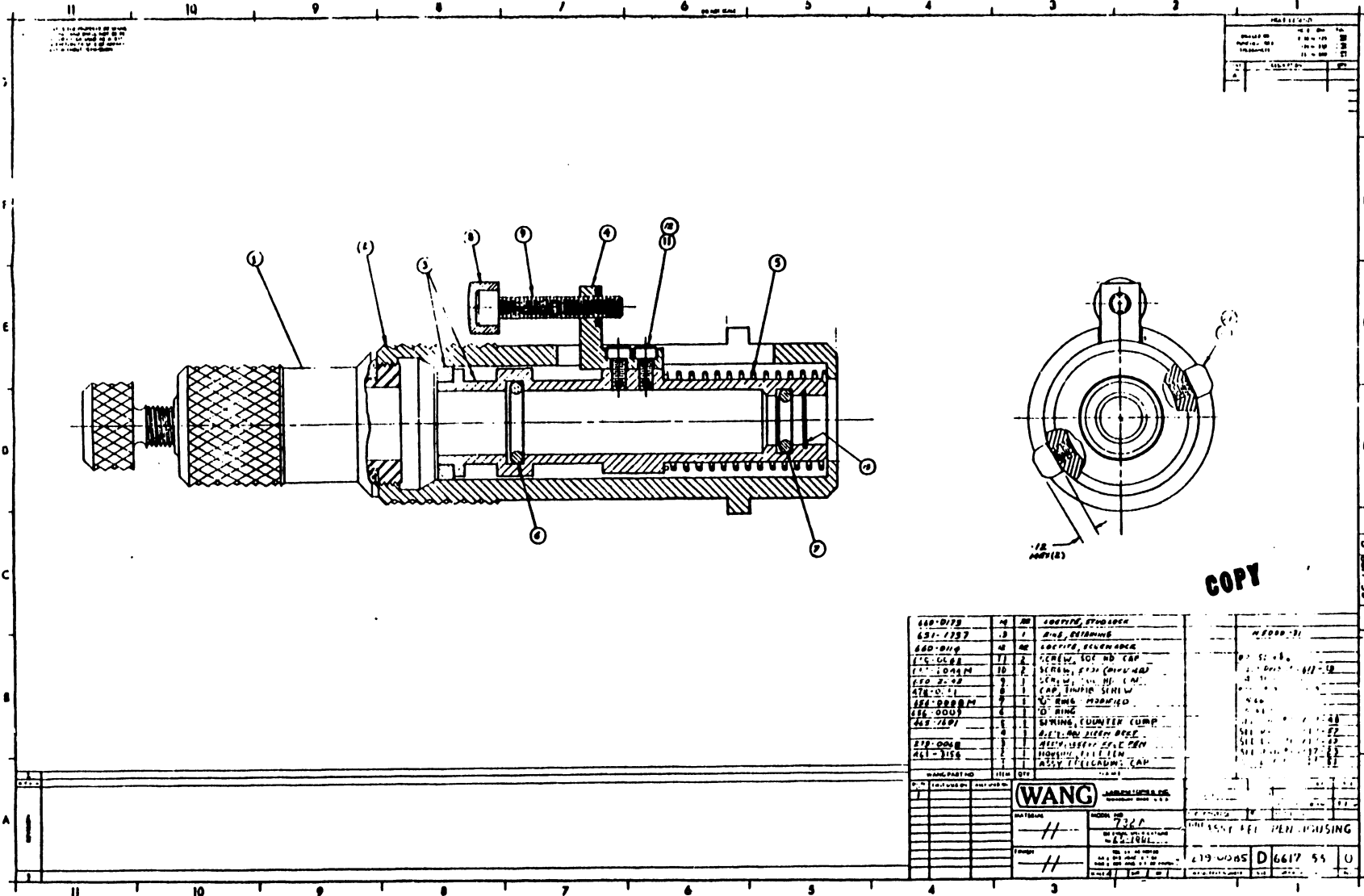
WANG PART NO.	ITEM	QTY	NAME	MATERIAL	DESCRIPTION
4617-316-2	B	1	ZIFERT (WANG) MALE		
4617-166-4	2	1	O-RING		
4617-671-6	6	1	FLANGE		
4617-100-1	5	1	Knurled Nut		
4617-117	4	1	Outer Sleeve		
4617-316-2	3	1	Inner Sleeve		
4617-316-3	1	1	Spring		
4617-671-6	7	1	Threaded Cap		

REVISION	1	ASSEMBLY	DATE	BY	APPROVED BY	DATE
	2	DESIGN	DATE	BY	APPROVED BY	DATE

WANG PART NO.		ITEM	QTY	NAME	MATERIAL	DESCRIPTION
4617-316-2	B	1	1	ZIFERT (WANG) MALE		
4617-166-4	2	1	1	O-RING		
4617-671-6	6	1	1	FLANGE		
4617-100-1	5	1	1	Knurled Nut		
4617-117	4	1	1	Outer Sleeve		
4617-316-2	3	1	1	Inner Sleeve		
4617-316-3	1	1	1	Spring		
4617-671-6	7	1	1	Threaded Cap		

MATERIAL		MODEL NO.	DATE		APPROVED BY	DATE
SEE PARTS		4617-316-2	8/15/55		J. J. WANG	
FINISH		SEE DRAWING SPECIFICATIONS	DATE		APPROVED BY	DATE
		FOR INFO AS NOTED	DATE		APPROVED BY	DATE
		AS - 0.6 BRAC 2.168	DATE		APPROVED BY	DATE
		FOR - 0.51 AND - 1.138 FORM 10	DATE		APPROVED BY	DATE
SCALE 4 X		WT 1	OF 1	WANG PART NUMBER		REV
				15-2199		1

59



REVISION	
NO.	DATE
1	11-10-55
2	11-10-55
3	11-10-55

COPY

NO.	REV.	DESCRIPTION	DATE
440-0173	40	COUPLER, STOCK	
451-1137	10	RING, STAINLESS	
460-0119	40	SCREW, SCREWDRIVER	
115-0144	11	SCREW, TORX HD CAP	
115-1044	10	SCREW, TORX (DRILL BIT)	
578-0111	9	SCREW, TORX (DRILL BIT)	
578-0111	9	CAP, TORX SCREW	
566-0000	7	O-RING, MODIFIED	
566-0000	6	O-RING	
567-7101	1	WIRING, CUMULATIVE CUMPL	
579-0000	1	SCREW, TORX (DRILL BIT)	
461-3155	1	SCREW, TORX (DRILL BIT)	
461-3155	1	ASSY TORX (DRILL BIT)	

WANG PART NO.	REV.	QTY.
440-0173	40	1
451-1137	10	1
460-0119	40	1
115-0144	11	1
115-1044	10	1
578-0111	9	1
578-0111	9	1
566-0000	7	1
566-0000	6	1
567-7101	1	1
579-0000	1	1
461-3155	1	1
461-3155	1	1

WANG		WANG ELECTRIC CO.
DATE	NO.	REV.
11-10-55	7364	1
BY	CHKD.	APP'D.
///	///	///
DATE	NO.	REV.
11-10-55	619-0045	D 6617 55
BY	CHKD.	APP'D.
///	///	///

ES-17710

**SERVICE
BULLETIN
NO. 44.2**

EDITED BY CUSTOMER ENGINEERING DIVISION

MODEL 632 AND 632 ALPHA USER ROM DIAGNOSTICS

1. MODEL 632 DIAGNOSTIC

The 632 diagnostic requires at least a 600-6 and contains 8 sub-routines that can be used to test and adjust the plotter. The program has a verify of 5669.

1.1 PEN UP

By keying f(x) , the pen can be moved to any legal plotting position without plotting.

Keying Order:

- (a) Key X increments
- (b) STORE LEFT
- (c) Key Y increments
- (d) STORE RIGHT
- (e) Key f(x) . Pen moves to the position entered.

1.2 PEN DOWN

By keying f(x) , the plotter plots to the position keyed in the left and right registers.

NOTICE:

This document is the property of Wang Laboratories, Inc. Information contained herein is considered company proprietary information and its use is restricted solely to the purpose of assisting you in servicing Wang products. Reproduction of all or any part of this document is prohibited without the consent of Wang Laboratories.

WANG

LABORATORIES, INC.

838 NORTH STREET, TEWKSBURY, MASSACHUSETTS 01878, TEL. (617) 851-4111, TWX 710 343-6780, TELEX 94-7421

Printed in U.S.A.
13-210A

Keying Order:

- (a) Key X increments
- (b) STORE LEFT
- (c) Key Y increments
- (d) STORE RIGHT
- (e) Key f(x) 01. Pen is lowered and plots to the position entered.

1.3 CIRCLE

By keying f(x) 02, the plotter draws a circle with the given radius and incrementing angle. The pen must be moved to the desired plotting area before plotting the circle.

Keying Order:

- (a) Key f(x) 02. Display is blanked.
- (b) Enter the length of the radius. GO. Display blanks.
- (c) Enter the incrementing angle in degrees. GO.

EXAMPLE: (See Figure 1.)

- (a) Key f(x) 02.
- (b) Key 500, GO.
- (c) Key 10, GO.

$$a = 500 = 1.25'' \text{ (3.18 cm)}$$

$$\theta = 10 = 10^\circ$$

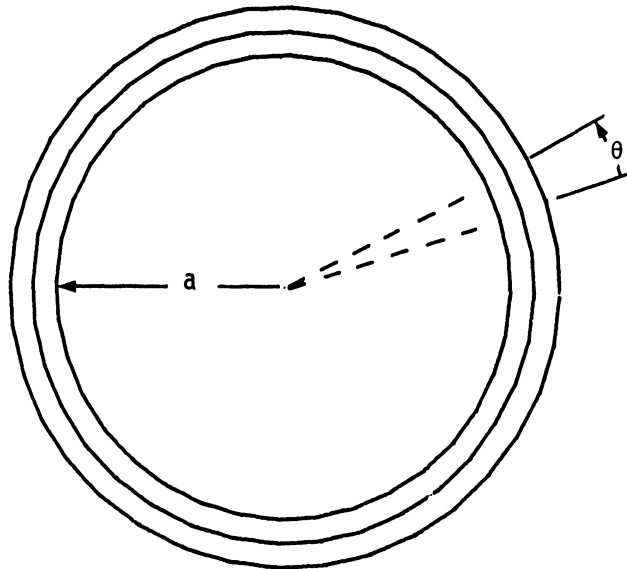


FIGURE 1

1.4 INCREMENTING RADII

By keying $f(x)$ $\boxed{03}$, the plotter draws lines from a center point with an incrementing angle. The pen must be moved to the desired plotting area.

Keying Order:

- (a) Key $f(x)$ $\boxed{03}$. Display is blanked.
- (b) Enter the length of the radius. GO. Display blanks.
- (c) Enter the incrementing angle in degrees. GO.

EXAMPLE: (See Figure 2.)

- (a) Key $f(x)$ $\boxed{03}$.
- (b) Key 500, GO.
- (c) Key 10, GO.

$$a = 500 = 1.25'' (3.18 \text{ cm})$$

$$\theta = 10 = 10^\circ$$

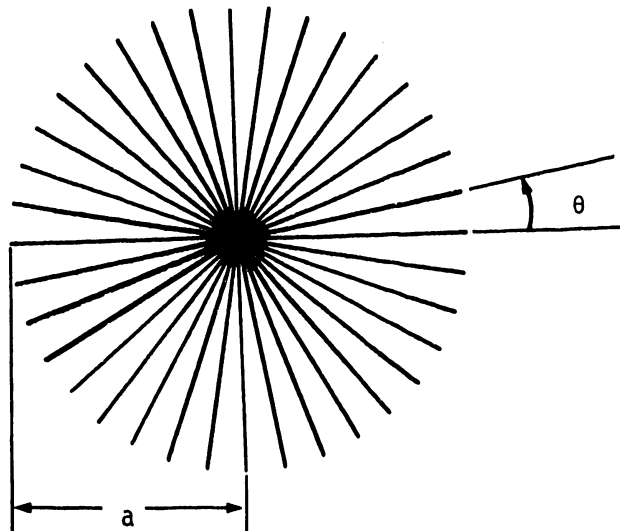


FIGURE 2

1.5 90° CHECK

By keying $f(x)$ $\boxed{04}$, the plotter draws two perpendicular lines.

Keying Order:

- (a) Key $f(x)$ $\boxed{04}$.
- (b) Key GO.

1.6 RECTANGLES

By keying $f(x)$ $\boxed{05}$, the plotter draws $N \times N$ rectangles where the length of each side are entered. The pen must be moved to the desired plotting area.

Keying Order:

- (a) Key $f(x)$ $\boxed{05}$. Display blanks.
- (b) Key length of X side. GO. Display blanks.
- (c) Key length of Y side. GO. Display blanks.
- (d) Key number of rectangles on each side. GO.

EXAMPLE: (See Figure 3.)

- (a) Key $f(x)$ $\boxed{05}$.
- (b) Key 300, GO.
- (c) Key 200, GO.
- (d) Key 4, GO.

$$\begin{aligned} a &= 300 = .75'' (1.9 \text{ cm}) \\ b &= 200 = .5'' (1.3 \text{ cm}) \\ N &= 4 = 4 \text{ RECTANGLES} \end{aligned}$$

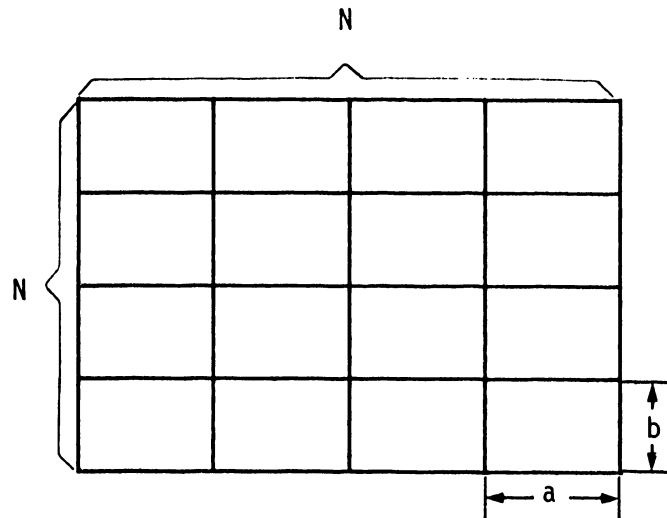


FIGURE 3

1.7 DASH POT

By keying $f(x)$ $\boxed{06}$, the plotter starts a dash pot program that plots a 30" (76.2 cm) line in .25" (.64 cm) increments. Refer to Section 5.6 of *S.B. #14* for dash pot adjustment.

1.8 RESET

By keying $f(x)$ $\boxed{15}$, the carrier returns to the home position with the pen up.

2. MODEL 632 ALPHA USER ROM DIAGNOSTIC

The 632 Alpha User ROM diagnostic contains two blocks. Block one, verify 12131, performs a pass/fail test using the output of the plotter for determining a pass or fail condition. Block 2, verify 12134, is used when a fail condition occurs in block 1. Block 2 checks each of the eight (8) PROMs and all of their functions and is designed to specify what PROM is bad. All plotting output figures shown are actual size.

EQUIPMENT NEEDED:

600-14
632 Digital Flatbed Plotter
632 Alpha User ROM

2.1 OPERATING INSTRUCTIONS - BLOCK 1 (12131)

- (a) Plug user ROM into the 600.
- (b) Turn the 600 and 632 units on.
- (c) Put paper on the plotting surface near the home position.
- (d) PRIME. LOAD PROGRAM. VERIFY 12131.

INSTRUCTION	DISPLAY RESULT	PLOT
1. PRIME, GO	10	NONE
2. Key GO	0	NONE
3. Key GO	7	NONE
4. Key GO	11	NONE
5. Key GO	41	NONE
6. Key GO	105	NONE
7. Key GO	1	NONE
8. Key GO	2	NONE
9. Key 1, GO	-467	FIGURE 4

If the plotter has an output like Figure 4, the Alpha ROM is good.

632 ALPHA ROM DIAGNOSTIC

EFJKQUVXYZ+-=078%/*(), ' " ' ' ° \$

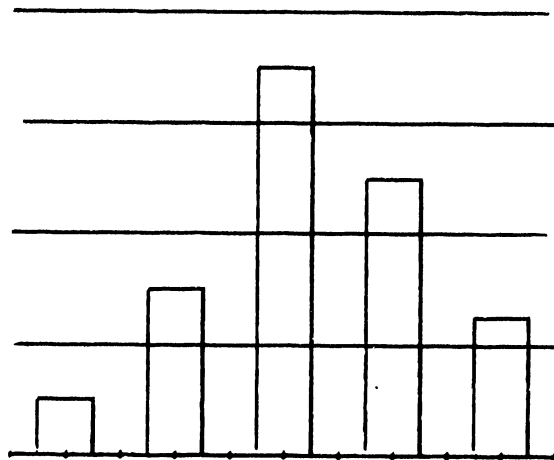
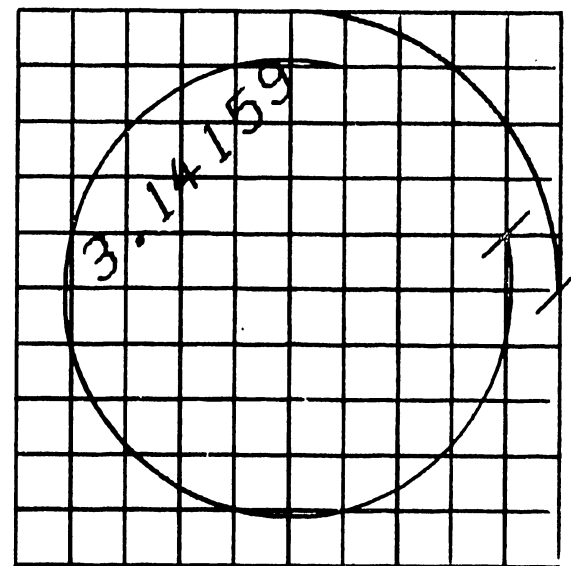
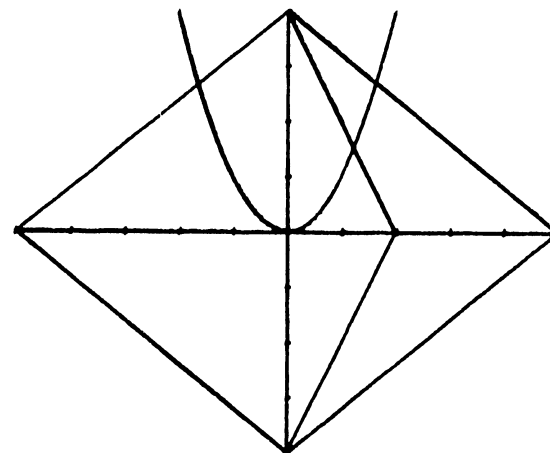
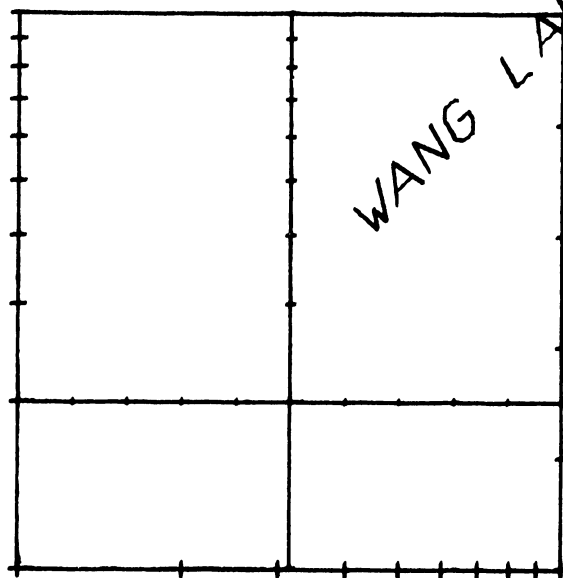


FIGURE 4

6



If the output does not agree with Figure 4, continue the test with step 10. Some of the steps between 10 and 35 of block 1 and numerous steps of block 2 contain a X.1 number in the display after keying GO.

For Example:

- 1.1 indicates PROM #1 will be tested after keying GO.
- 2.1 indicates PROM #2 will be tested after keying GO.
- 34.1 indicates PROMs 3 and 4 will be tested after keying GO.

See Figure 5 for the numbering of the PROMs for the purpose of this diagnostic, the PROM numbers and their locations.

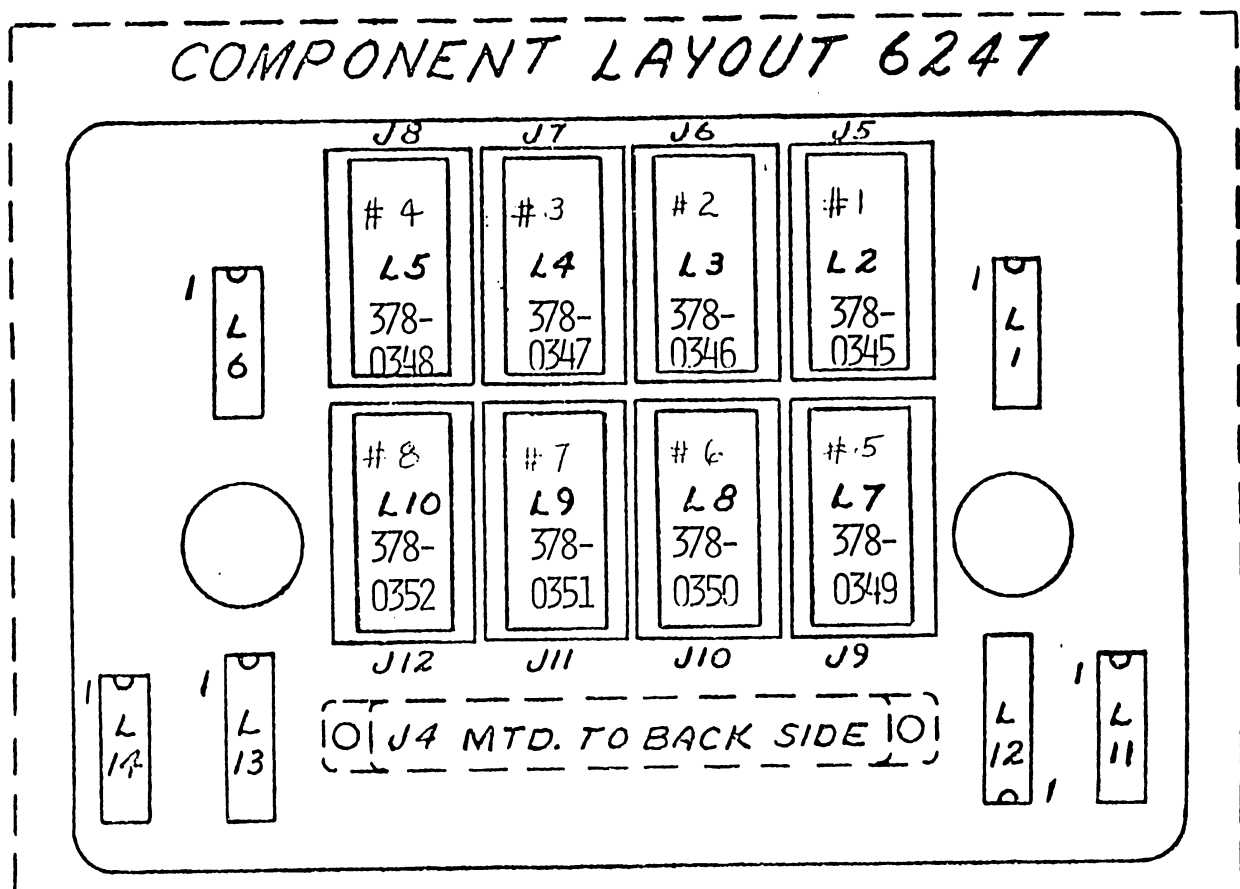


FIGURE 5

INSTRUCTION	DISPLAY RESULT	PLOT
10. Key PRIME	0	NONE
11. Set f(x) down	0	NONE
12. Key 15	1.1	*
13. Key GO	1	NONE
14. Key GO	2	NONE
15. Key GO	1	NONE
16. Key GO	3	NONE
17. Key GO	1	NONE
18. Key GO	4	NONE
19. Key GO	1	NONE
20. Key GO	5	NONE
21. Key GO	1.1	NONE
22. Key GO	100	NONE
23. Key GO	300	NONE
24. Key GO	2.1	NONE
25. Key GO	3.1	NONE
26. Key GO	3.1	NONE
27. Key GO	1	NONE
28. Key GO	2	NONE
29. Key GO	3.1	NONE
30. Key GO	34.1	NONE
31. Key GO	0	NONE
32. Key GO	5	NONE
33. Key GO	149	NONE
34. Key GO	294	NONE
35. Key GO	99999	NONE

*The output plot is two parallel lines 9" (22.9 cm) long and 7.5" (19 cm) in the Y direction.

2.2 OPERATING INSTRUCTIONS - BLOCK 2 (12134)

1. Run block 1 of the diagnostic.
2. LOAD PROGRAM, VERIFY 12134. PRIME.
3. After each PROM test, replace the paper on the plotter.

INSTRUCTION	DISPLAY RESULT	PLOT
To test PROM #1: 1. Key SEARCH 1 2. Key GO 3. Key GO 4. Key GO 5. Key GO 6. Key GO	1.1 2.1 1.1 2.1 1.1 99999.0	NONE P1* P2 P3 P4 P5 Final output must = Fig. 6

*P1 through P20 are identified in APPENDIX A.

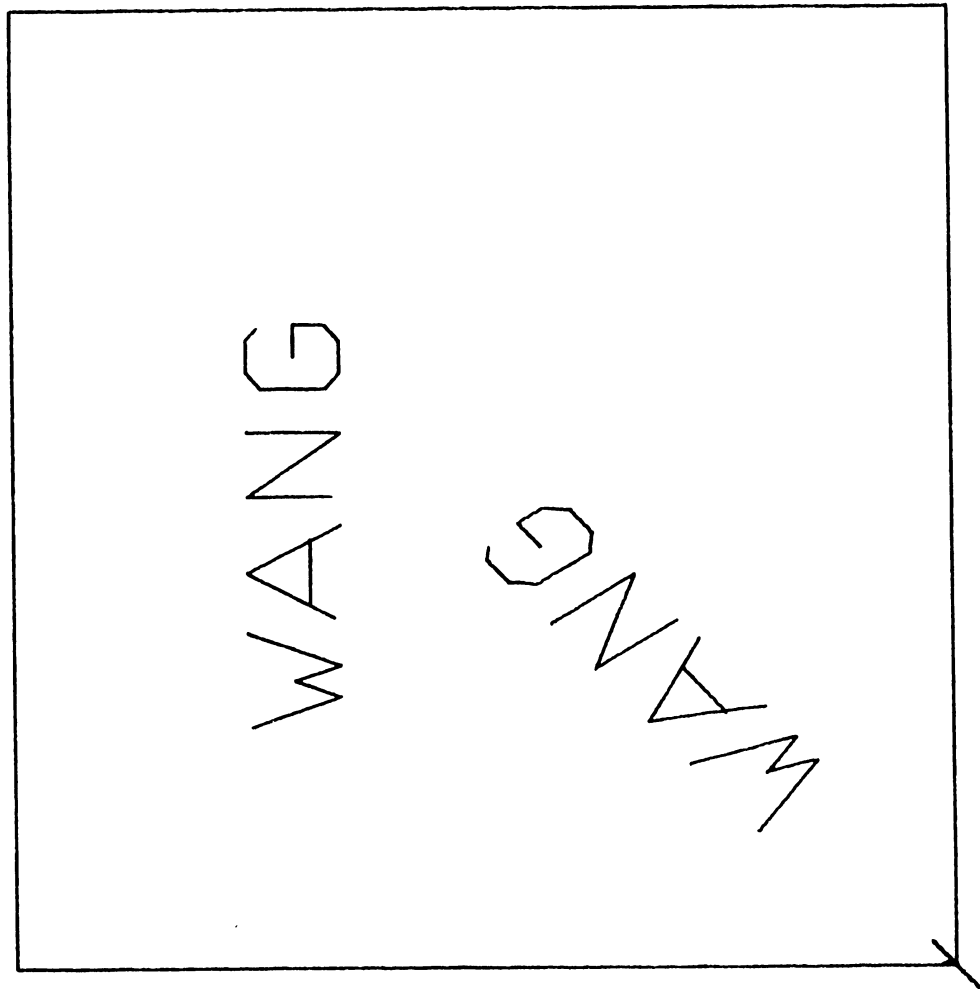


FIGURE 6

INSTRUCTION	DISPLAY RESULT	PLOT
To test PROM #2:		
1. Key SEARCH 2	1.1	NONE
2. Key GO	2.1	P1
3. Key GO	1.1	P2
4. Key GO	2.1	P3
5. Key GO	1.1	P4
6. Key GO	5678.1	P5
7. Key GO	2.1	P6
8. Key GO	23.1	P7
9. Key GO	99999.0	P8
Final output must = Fig. 7		
To test PROM #3:		
1. Key SEARCH 3	1.1	NONE
2. Key GO	2.1	P1
3. Key GO	1.1	P2
4. Key GO	3.1	P3
5. Key GO	2.1	P9
6. Key GO	1.1	P4
7. Key GO	5678.1	P5
8. Key GO	23.1	P6
9. Key GO	3.1	P8
10. Key GO	3.1	P10
11. Key GO	99999.0	P11
Final output must = Fig. 8		

WANG

632.1

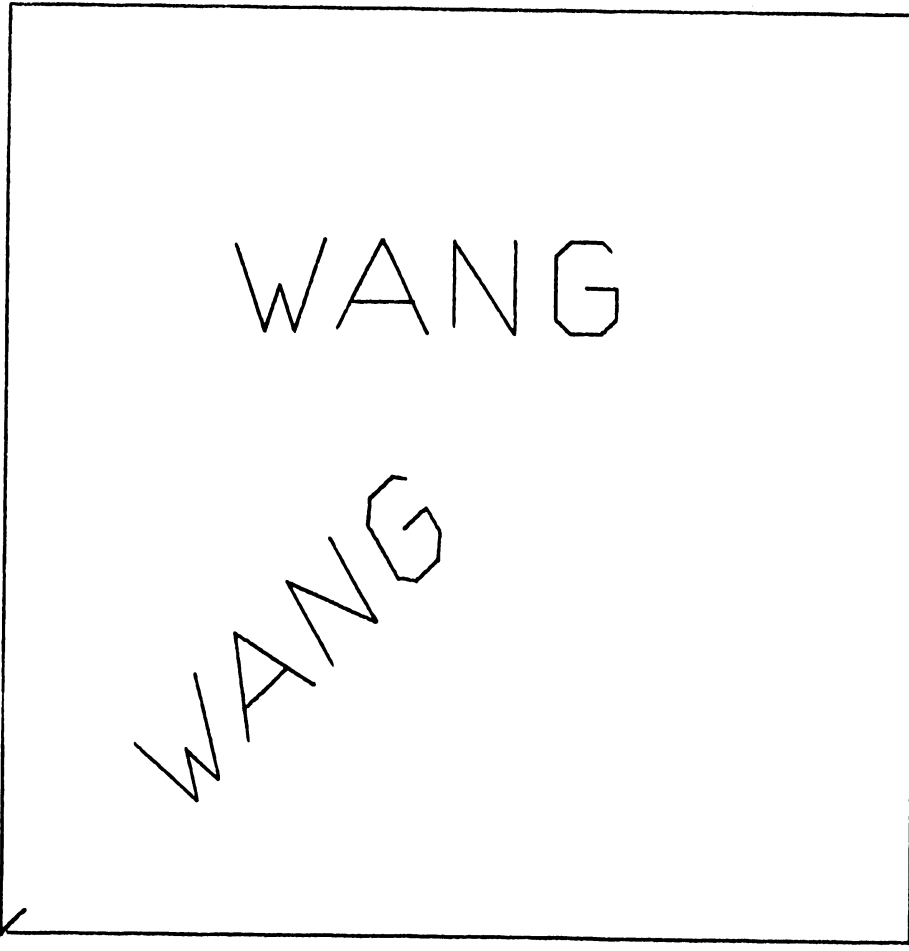


FIGURE 7

11

ABCDE

EFGHIJKLMNOPQRSTU

VWXYZ+-=012345678

89%/*() . , ' " \$

632.1

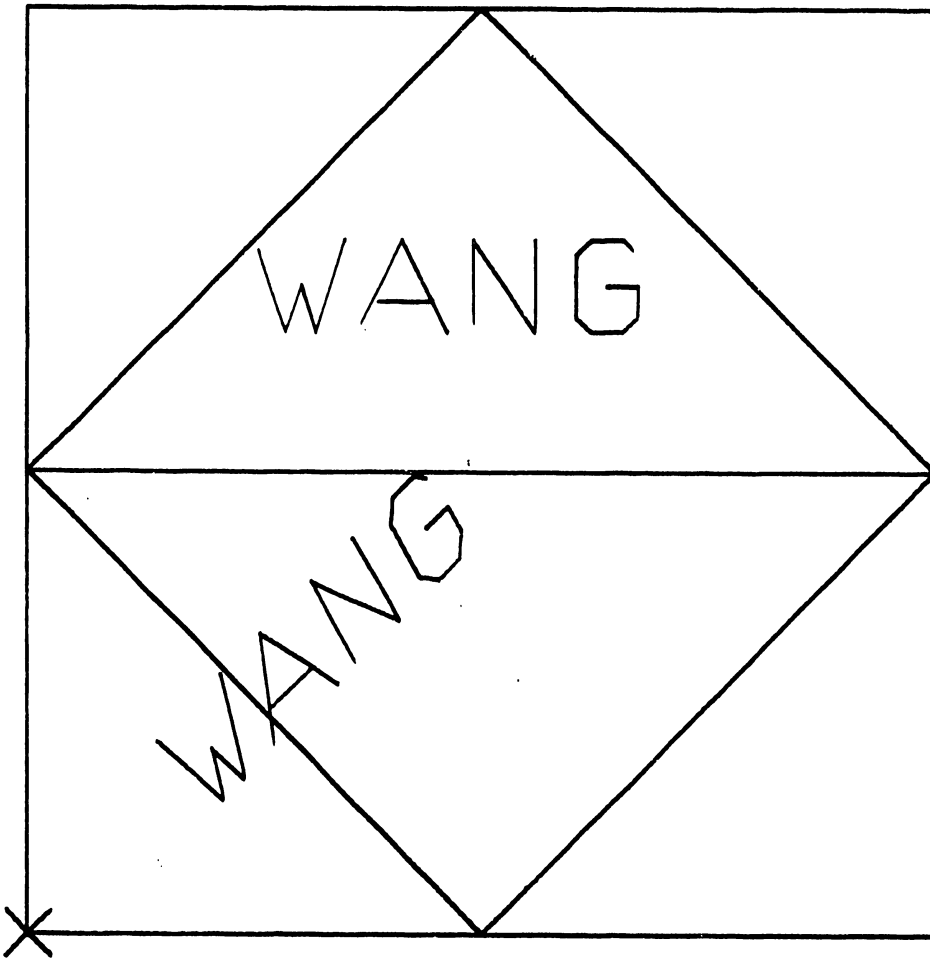


FIGURE 8

12

ABCDE

EFGHIJKLMNOPQRSTU

VWXYZ+-=012345678

89%/*() , ' " " ° \$

INSTRUCTION	DISPLAY RESULT	PLOT
To test PROM #4:		
1. Key SEARCH 4	1.1	NONE
2. Key GO	2.1	P1
3. Key GO	1.1	P2
4. Key GO	3.1	P3
5. Key GO	4.1	P9
6. Key GO	4.1	P12
7. Key GO	4.1	P13
8. Key GO	45.1	P14
9. Key GO	99999.0	P15
Final output must = Fig. 9		
To test PROM #5:		
1. Key SEARCH 5	1.1	NONE
2. Key GO	2.1	P1
3. Key GO	1.1	P2
4. Key GO	2.1	P3
5. Key GO	1.1	P4
6. Key GO	5678.1	P5
7. Key GO	45.1	P17
8. Key GO	5.1	P15
9. Key GO	99999.0	P16
Final output must = Fig. 10		

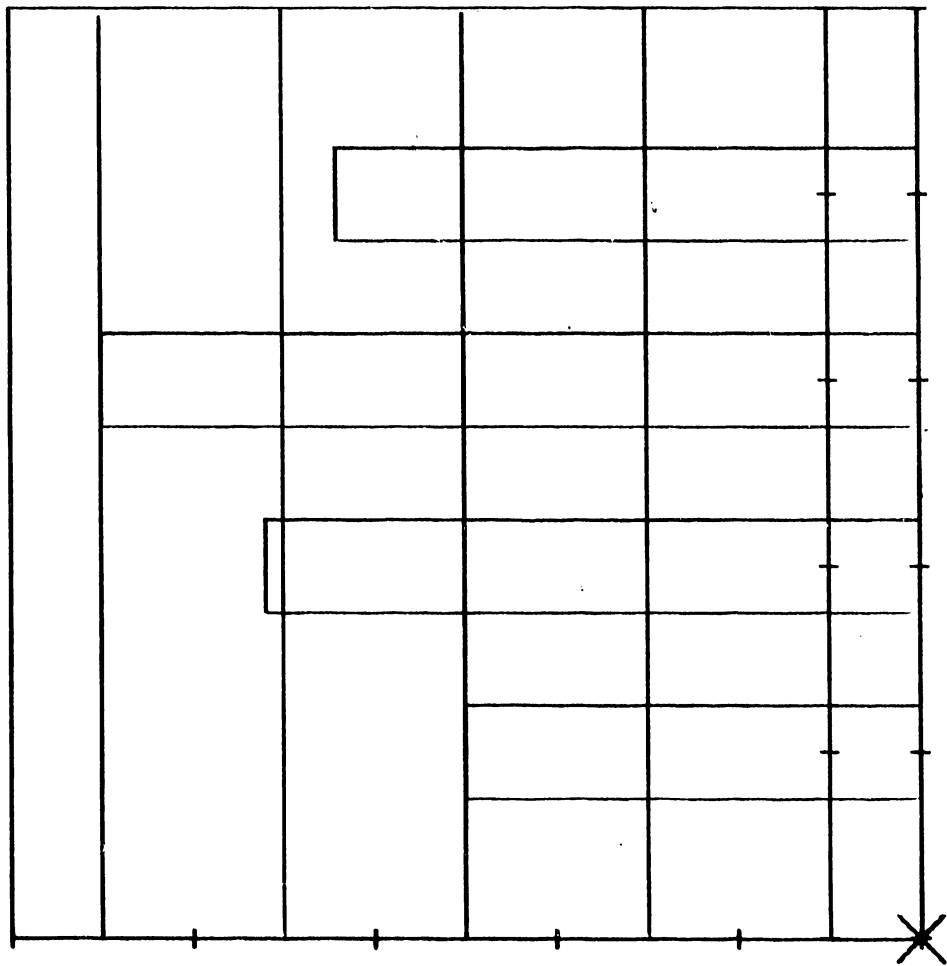
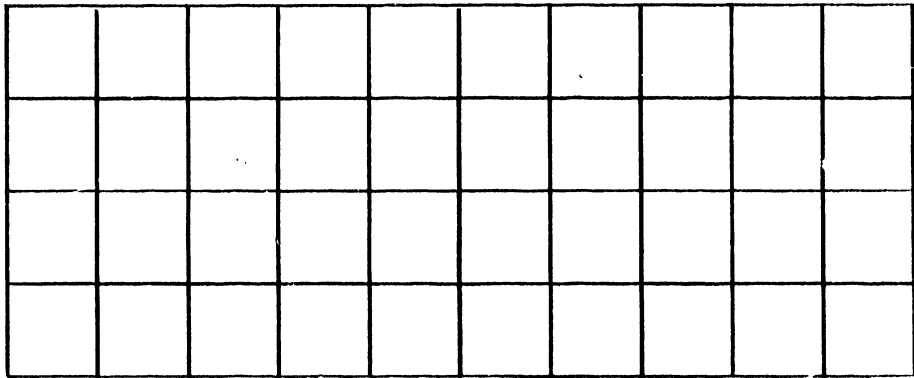


FIGURE 9

ABCDE

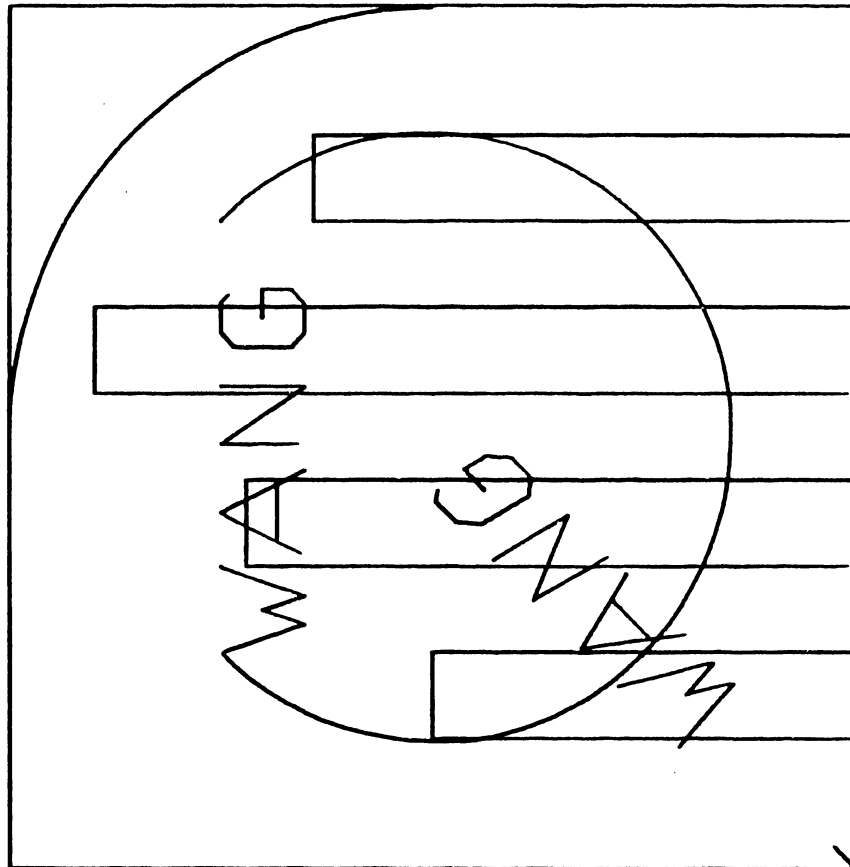
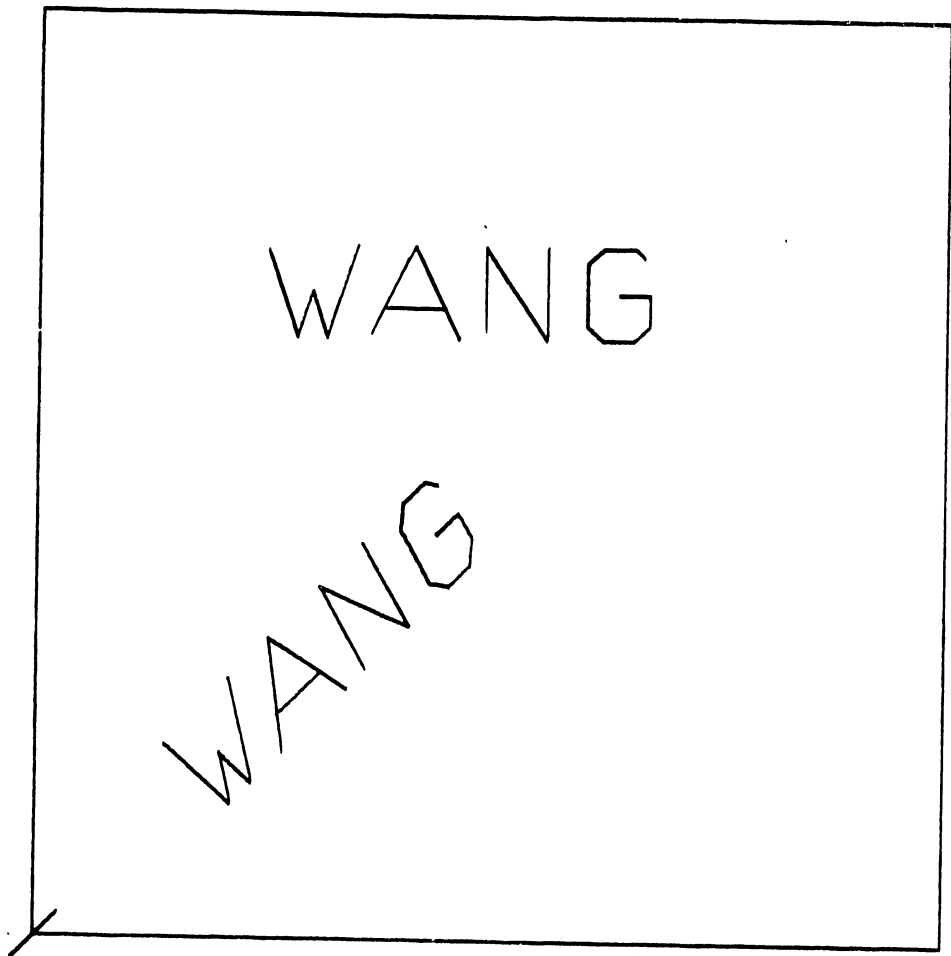


FIGURE 10

INSTRUCTION	DISPLAY RESULT	PLOT
To test PROM #6:		
1. Key SEARCH 6	1.1	NONE
2. Key GO	2.1	P1
3. Key GO	1.1	P2
4. Key GO	2.1	P3
5. Key GO	1.1	P4
6. Key GO	5678.1	P5
7. Key GO	99999.0	P18
Final output must = Fig. 11		

FIGURE 11



EFGHIJKLMNOPQRSTUVWXYZ



INSTRUCTION	DISPLAY RESULT	PLOT
To test PROM #7:		
1. Key SEARCH 7	1.1	NONE
2. Key GO	2.1	P1
3. Key GO	1.1	P2
4. Key GO	2.1	P3
5. Key GO	1.1	P4
6. Key GO	5678.1	P5
7. Key GO	99999.0	P19
Final output must = Fig. 12		
To test PROM #8:		
1. Key SEARCH 8	1.1	NONE
2. Key GO	2.1	P1
3. Key GO	1.1	P2
4. Key GO	2.1	P3
5. Key GO	1.1	P4
6. Key GO	5678.1	P5
7. Key GO	99999.0	P20
Final output must = Fig. 13		

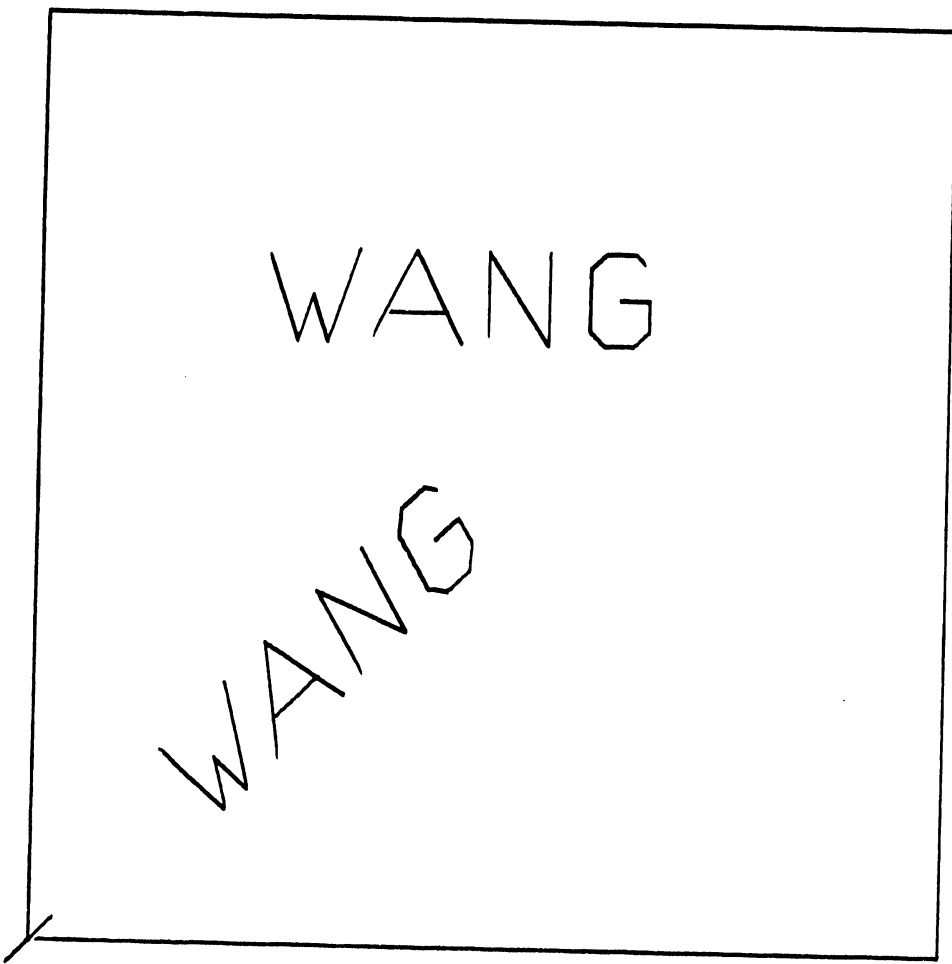


FIGURE 12

VWXYZ+-=012345678

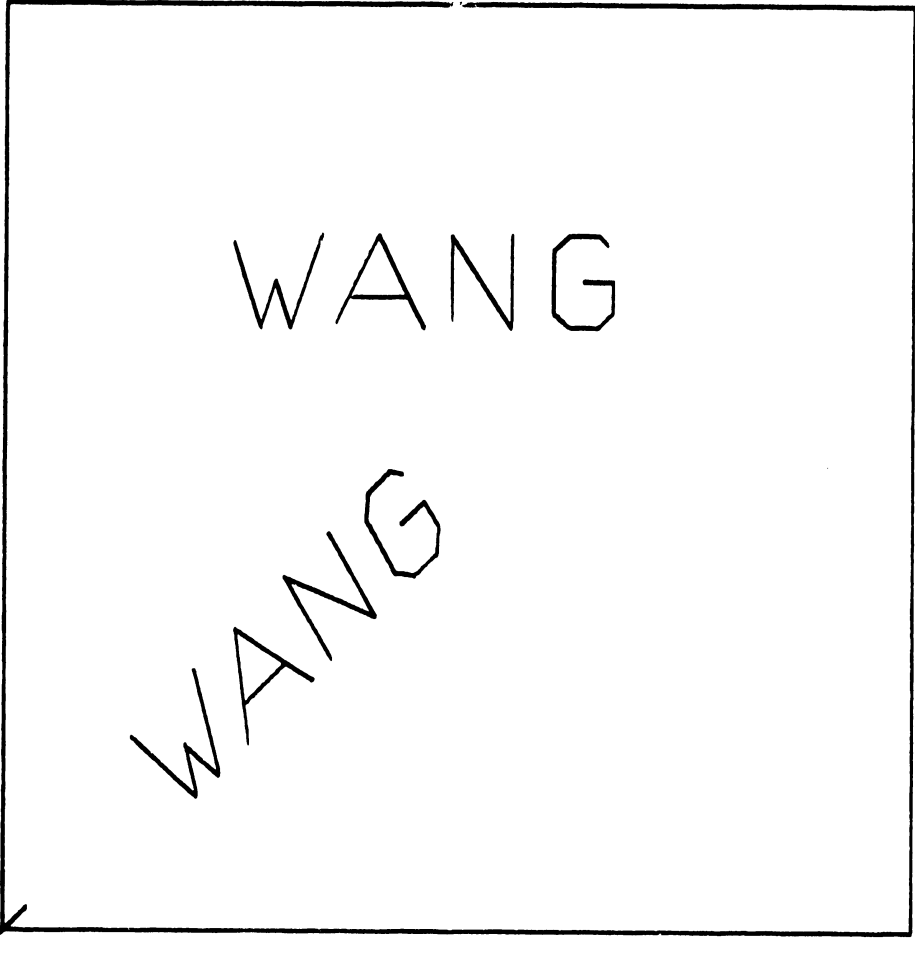


FIGURE 13

89% / * () . , ' 66 99 0 \$

APPENDIX A - DIAGNOSTIC PLOT DEFINITIONS

- P1 - Plot "/"
- P2 - Move the pen up at the position of P1
- P3 - Draw a 5" x 5" square
- P4 - Plot "WANG" at a 45° angle
- P5 - Plot "WANG" at a 0° angle
- P6 - Plot entire character string "ABC...\$ in 4 lines
- P7 - Plot "WANG" above the 5 x 5 square
- P8 - Plot "632.1" beside P7
- P9 - Plot "\" which intersects with P1 at origin
- P10 - Plot a square inside the 5 x 5 box
- P11 - Plot a straight line inside the small square
- P12 - Plot the XY axes with 5 hash marks each
- P13 - Plot horizontal lines
- P14 - Plot grid
- P15 - Plot bar chart
- P16 - Plot the arc of a circle
- P17 - Plot string of "ABCDE"
- P18 - Plot string of "EFGH...UV"
- P19 - Plot string of "VWXY...8"
- P20 - Plot string of "89%1...\$"

END