

SOFTWARE DATA SHEET

The Wang 3275 BSC Emulation software, in conjunction with a Model 2228C or Option 28C Communications Controller, enables a 2200 Series system to emulate the IBM 3275 Display Station (Model 2) and the 3284 Printer (Model 3). The software provides for a wide variety of data entry and inquiry/response applications. The Wang 3275 Emulation software can access data stored under an Information Management System (IMS), a Customer Information Control System (CICS), or any other program accessible by the 3275 BSC protocol.

The 3275 Emulation software implements the 3275 Binary Synchronous Communications (BSC) point-to-point contention protocol at line speeds of 1200 to 4800 bits per second (bps). The 3275 Emulation can be used over either dial-up or non-pollled leased lines. The emulation performs code translation from ASCII to EBCDIC for transmitted data, and from EBCDIC to ASCII for received data.

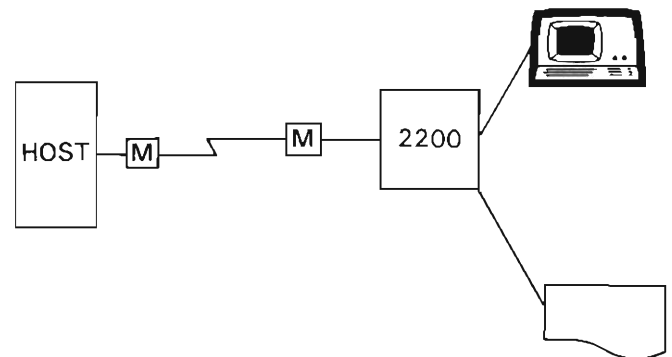
SYSTEM REQUIREMENTS

Central Processor	Communications Controller
2200VP, MVP, or LVP	Model 2228C
2200SVP	Option 28C

2200

3275 EMULATION

- Communicates with a host system supporting 3275 BSC protocol over dial-up or non-pollled leased lines
- 1,920 character display capacity (24 lines, 80 columns)
- Field checking and protected fields
- Transmission from the keyboard
- Reception to the CRT or printer



Wang Laboratories, Inc.

One Industrial Avenue, Lowell, MA 01851, Tel. (617) 459-5000, TWX 710-343-6769, Telex 94-7421

PRODUCT CHARACTERISTICS

Package Number

195-0048-3 (single-sided single-density diskette)

195-0048-5 (double-sided dual-density diskette)

Line Discipline

Binary synchronous point-to-point contention protocol on dial-up or non-pollled leased lines

Line Speeds

1200, 2000, 2400, or 4800 bps

Modem Selection

A Wang controller is a DTE interface, compatible with any RS-232-C/CCITT V.24 DCE interface. Modems at both ends of the communications link must be compatible with each other.

For communications up to 50 feet (15.2 meters) over RS-232-C/CCITT V.24 compatible cables, a Wang 2228N Null Modem may be used.

Memory

17K for the 2200VP, SVP, LVP, or MVP

Error Detection

CRC block checking

Wang Laboratories reserves the right to change specifications without prior notice.

This document was set on a Wang typesetter.



Wang Laboratories, Inc.

One Industrial Avenue, Lowell, MA 01851, Tel. (617) 459-5000, TWX 710-343-6769, Telex 94-7421

Printed in U.S.A.

700-4821A

3-81-30M