

SOFTWARE DATA SHEET

The Wang 3271 emulation software in conjunction with a Model 2228D Data Communications Controller provides a distributed data processing capability for the multi-user systems of the 2200 Series product line. The software emulates the IBM 3271 (Model 2) Control Unit, 3277 (Model 2) display stations, and 3288 (Model 2) printers, offering the user on-line, interactive transaction processing.

The 3271 emulation software consists of a program for display station emulation, a Master Control Task, a Printer Control Task, and several utilities such as system load and terminal attachment and detachment tasks. The Master Control Task (MCT) operates in background while maintaining control of the 3271 emulation.

Once the microcode has been loaded into the communications controller, the user may terminate MCT or display station operation within the 2200 central processor without altering the on-line status of the 3271 emulation in the 2228D board. The microcode on the 2228D board answers polls from the host even when the attached Wang devices are unavailable. Thus, the 2200 central processor may be used for off-line processing until return to the 3271 emulation is desired.

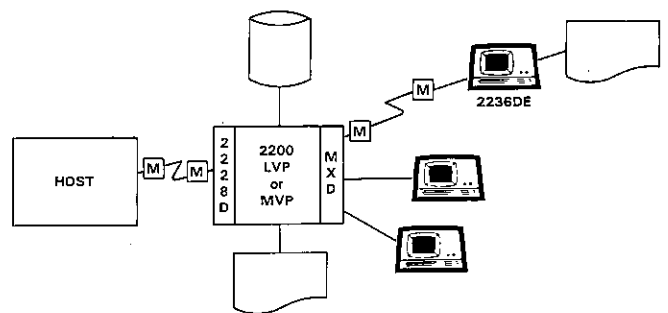
SYSTEM REQUIREMENTS

Central Processor	Communications Controller
2200MVP or LVP With memory as follows: 5K for a Universal Global area, 6K for the Master Control Task, 22K for the Printer Control Task, 28K for each terminal	Model 2228D-4 or -4A

2200

3271 EMULATION

- Communicates with any host system supporting the IBM 3271 Binary Synchronous Communications protocol
- Emulates the 3271 Cluster Controller
- Emulates 3277 (Model 2) Display Stations
- Emulates 3288 (Model 2) Printers and optionally spools printer data to disk or diskette
- Supports line speeds to 9600 bits per second



WANG

Wang Laboratories, Inc.

One Industrial Avenue, Lowell, MA 01851, Tel. (617) 459-5000, TWX 710-343-6769, Telex 94-7421

Communication with any host system that supports the 3271 Binary Synchronous Communications (BSC) protocol can be achieved without alteration to the existing host software. Data stored under an Information Management System (IMS), Customer Information Control System (CICS), or other programs accessible by an IBM 3271 can be accessed by the Wang 3271 emulation.

Connection to a mainframe is established through a leased multidrop communication line and a modem, although connection to a physically adjacent computer (maximum distance 4000 feet if RS-449 interfaces are available) can be made via a null modem. Complete multipoint 3271 BSC protocol using EBCDIC line code at speeds up to 9600 bits per second is supported.

While transmission of data is always from the terminal, data that is received can be displayed at the terminal, printed by an on-line printer, or written to disk or diskette. By spooling 3288 print stream data to disk or diskette the operator can choose a printer best suited to that particular output, or may print the data at a later time. Printing may take place on any Wang 2200 Series printer, including the 2281W Daisy Printer.

The physical configuration of Wang devices supported by the 3271 emulation cluster is very flexible. The 2236D and 2236DE terminals have screens with a capacity of 1920 characters and support the IBM 3271 attribute characters, with two exceptions — the 2236D does not support blank or high intensity fields. The Wang terminals can be logically attached to the cluster to perform 3271 operations and then easily detached, freeing them from the 3271 mode to function in another 2200 application. Configuration and loading of clusters and attachment of stations is performed by the operator via easy-to-understand, user-oriented screen displays. The first-time operator can fully utilize all of the available options with minimal instruction beyond the tutorial information imbedded in the screens.

PRODUCT CHARACTERISTICS

Package Number
195-2159

Model Numbers
Software
22TC-3271 Emulation Software

Controller
2228D-4 Data Communications Controller, 64K,
with RS-232-C (CCITT V.24) cable
or
2228D-4A Data Communications Controller,
64K, with RS-449 cable

Line Discipline
Binary Synchronous, multi-point, half-duplex

Line Speeds
2000, 2400, 4800, 7200, or 9600 bits per second

Modem Selection
The Wang 2228D Data Communications Controller required for the 3271 emulation has an RS-232-C (V.24) or RS-449 Data Terminal Equipment (DTE) interface that can accept a cable from a compatible Data Communication Equipment (DCE) interface.

Error Detection
CRC Block Checking

Disk File Format
Disk sequential file format supporting variable length records is used for disk/diskette reception of print data.

*Wang Laboratories reserves the right to change specifications without prior notice.
This document was set on a Wang typesetter.*



Wang Laboratories, Inc.
One Industrial Avenue, Lowell, MA 01851, Tel. (617) 459-5000, TWX 710-343-6769, Telex 94-7421

Printed in U.S.A.
700-6284
11-80-30M